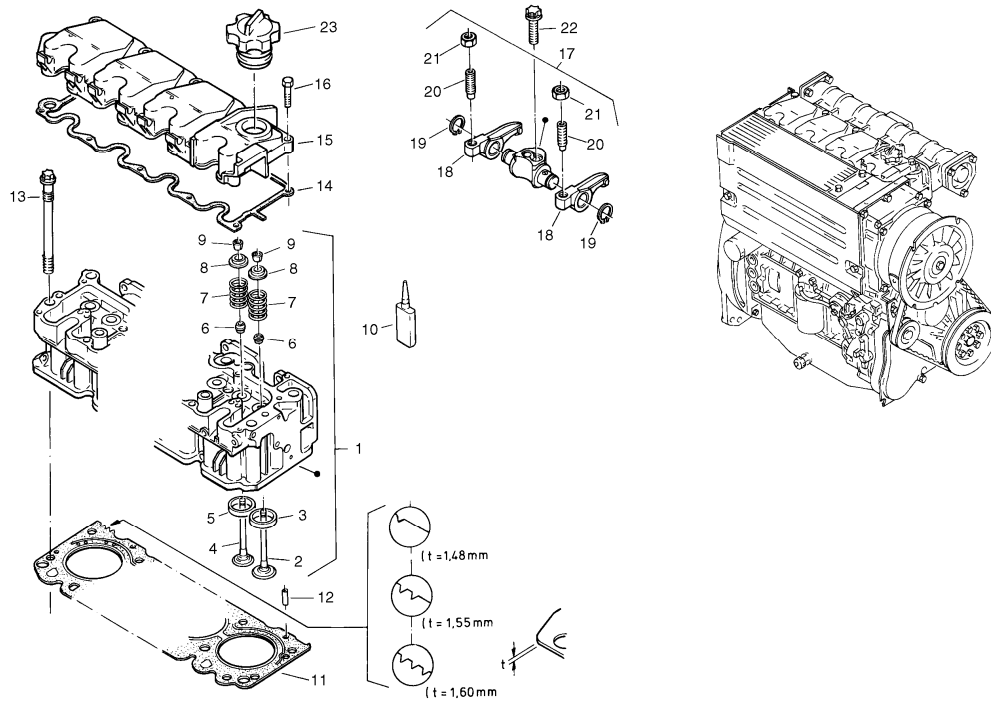


Date: 2013/11/14	Image id: 0000091	Catalogue: 07517	Model: L32B
Brand: Volvo	Serial: 1842201-1842999	Group/Section: 211/100	Title: Cylinder head, timing gears

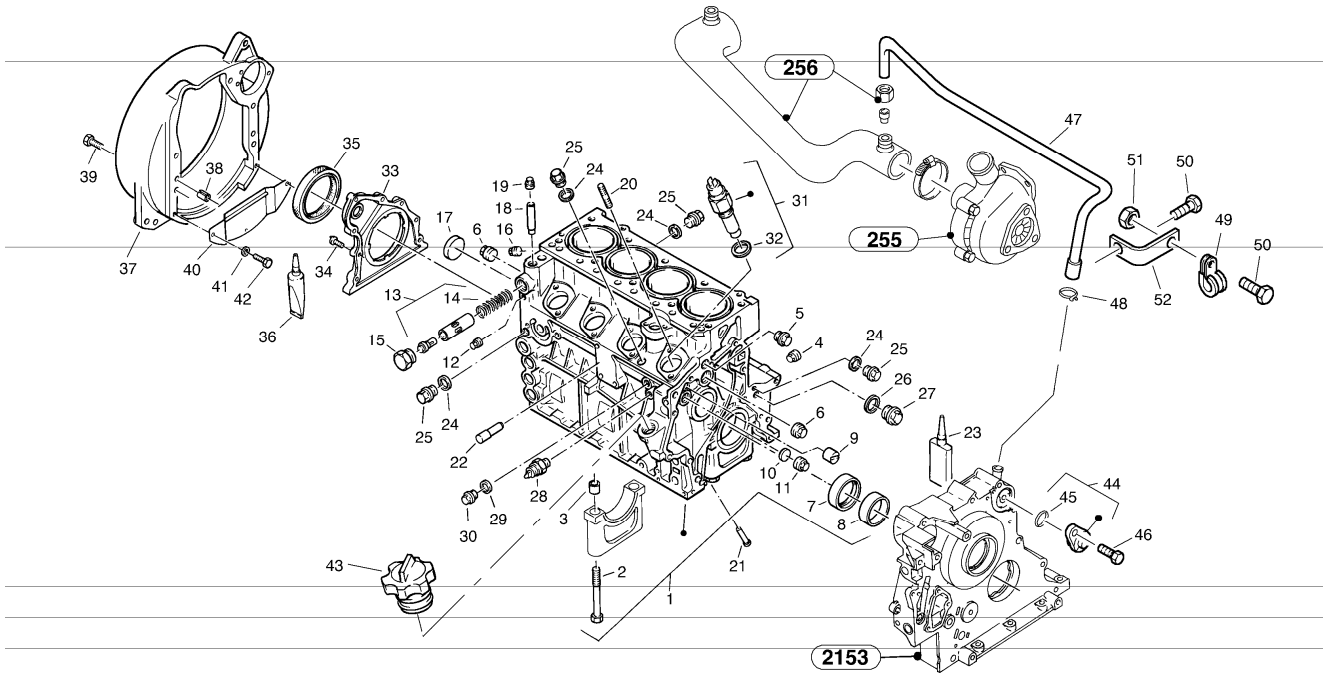


0000091

Pos	Part	Q1	Q2	Q3	Q4	Q5	PS	Kit	Description	Option(s)	Remark
1	ZM2904181	1							Cylinder head		
2	ZM2904183	4							••Inlet valve		
3	ZM2904089	4					SS		••Valve seat ring		
3	ZM2290534	REQ							••Valve seat ring		42,87 mm
4	ZM2904090	4							••Exhaust Valve		
5	ZM2904182	4							••Valve Seat Ring		
5	ZM2290500	REQ							••Valve seat ring		37,27 mm
6	VOE20459855	8							••Valve seal		(ZM2904368)
7	ZM2904091	8							••Pressure spring		
8	ZM2290505	8							••Spring Disc		
9	VOE20459857	16							••Valve sleeve		
10	ZM2903912	REQ					OP		Locking agent		
11	ZM2904094	1							Cylinder head gasket		1,48 mm
11	ZM2905354	REQ							Cylinder head gasket		1,55 mm
11	ZM2905355	REQ							Cylinder head gasket		1,60 mm
12	VOE21033924	2							Guide pin		(ZM2904093)
13	ZM2904092	10							Cylinder head screw		

14	ZM2904098	1							Gasket		
15	ZM2905356	1							Cylinder head cover		
16	VOE11306472	10							Hexagon screw		(ZM7095003)M6x30
17	ZM2290529	4							Valve rocker support		
18	ZM2290526	2							••Rocker Arm		
19	ZM7094952	2							••Safety ring		18x1,2
20	ZM2290527	2							••Adjusting screw		
21	VOE11700373	2							••Nut		
22	VOE20459853	8							Screw		
23	ZM2904064	1							Filler cap		

Date: 2013/11/14	Image id: 00072900	Catalogue: 07517	Model: L32B
Brand: Volvo	Serial: 1842201-1842999	Group/Section: 212/100	Title: Engine casing, Ventilation

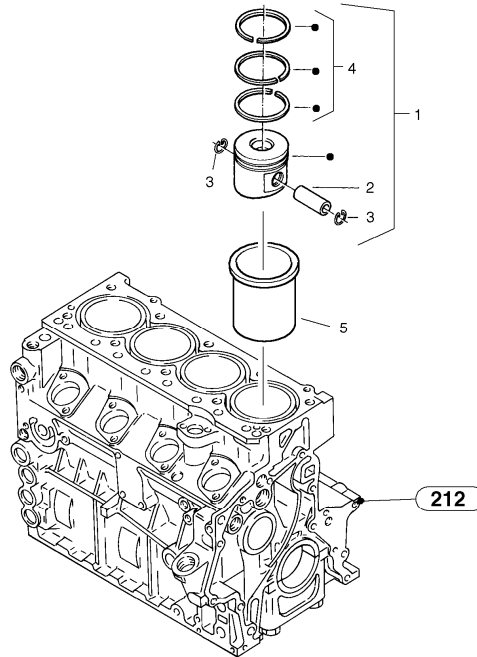


00072900

Pos	Part	Q1	Q2	Q3	Q4	Q5	PS	Kit	Description	Option(s)	Remark
1	ZM2904194	1							Crankcase, cpl.		
2	ZM2290540	10							••Hexagon screw		
3	ZM4010300	10							••Bushing		
4	VOE20860215	1							••Screw		(ZM2905340)
5	ZM2904050	1							••Screw plug		
6	VOE20405717	2							••Plug		(ZM2905341)
7	ZM2904048	2							••Bearing bush		
8	VOE20795762	3							••Bearing Bushing		
9	VOE15053296	2							••Guide sleeve		(ZM2290541)
10	ZM8092104	1							••Hood		16
11	ZM2905346	1							••Screw plug		
12	ZM2905343	1							••Screw plug		
13	ZM2904169	1							••Thermostat		
14	ZM2904053	1							•••Pressure spring		
15	ZM2905345	1							••Screw plug		
16	VOE20405718	1							••Plug		
17	VOE20882154	1							••Plug		(ZM7092106)28
18	ZM2904051	1							••Tube		
19	ZM2905344	1							••Screw plug		

20	ZM8097406	8							••Pin screw		
21	ZM2904056	8							Piston cooling jet		
22	ZM2904057	1							Pin		
23	ZM2904058	REQ							Locking agent		
24	VOE11700631	4							Sealing ring		(ZM7099530)A10x16
25	ZM8099416	4							Screw plug		M10x1
26	VOE13947624	1							Plane gasket		(ZM7099511)A18x24
27	VOE20405506	1							Plug		M18x1,5
28	ZM2905379	1							Oil pressure switch		
29	VOE13947624	1							Plane gasket		(ZM7099511)A18x24
30	VOE11305512	1							Lock plug		(ZM7099401)AM18x1,5
31	ZM2904059	1							Temperature transmitter		
32	ZM7099503	1					SS		••Seal		A14x18
33	ZM2292219	1							Cover rear		
34	ZM2290455	8							Screw		
35	ZM2292220	1							Radial seal		
36	ZM4084070	REQ							Sealant		
37	ZM2905335	1							Intermediate housing		
38	ZM2290547	2							Bushing		
39	VOE11306530	4							Hexagon screw		(ZM8096638)M12x35
40	ZM2290561	1							Cover plate		
41	VOE955892	3							Washer		(ZM7098752)B6,4
42	ZM7095067	3					SS		Screw		M6x10
43	ZM2904064	1							Filler cap		
44	ZM2904065	1							Valve		
45	ZM2904066	1							••O-ring		
46	ZM7095068	1							Screw		M6x25
47	ZM2904170	1							Air vent pipe		
48	ZM2904172	1							Hose Clamp		
49	ZM2290447	2							Clamp		
50	ZM2292234	2							Screw		
51	ZM7098010	1							Nut		M8
52	ZM2905349	1							Retainer		
53	ZM2905348	1							Hose		

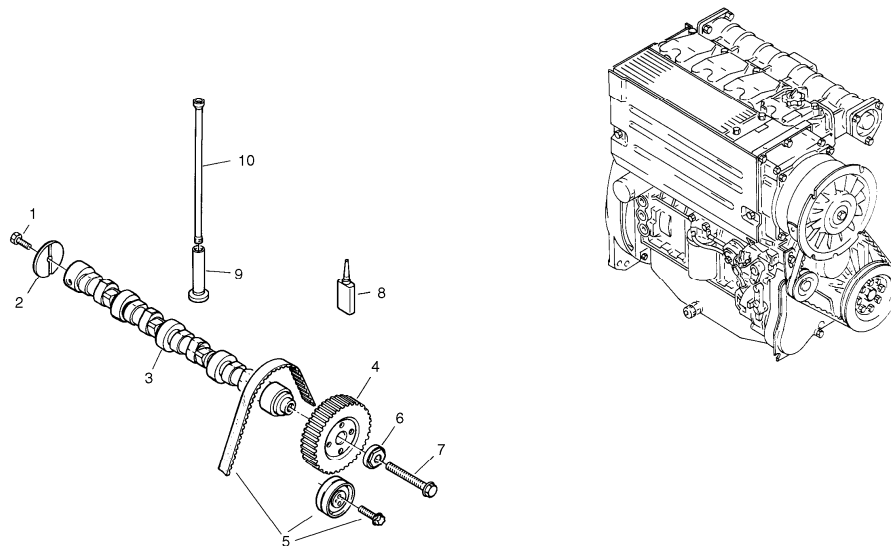
Date: 2013/11/14	Image id: 00000088	Catalogue: 07517	Model: L32B
Brand: Volvo	Serial: 1842201-1842999	Group/Section: 213/100	Title: Cylinder bush and piston



00000088

Pos	Part	Q1	Q2	Q3	Q4	Q5	PS	Kit	Description	Option(s)	Remark
1	ZM2905352	4							Piston, cpl.		
2	VOE11715530	1							••Bolt		(ZM2290442)
3	VOE11715531	2							••Retaining ring		(ZM2290443)C30x2,0
4	ZM2905353	1							••Piston Ring Kit		
5	ZM2905347	REQ							Cylinder liner		

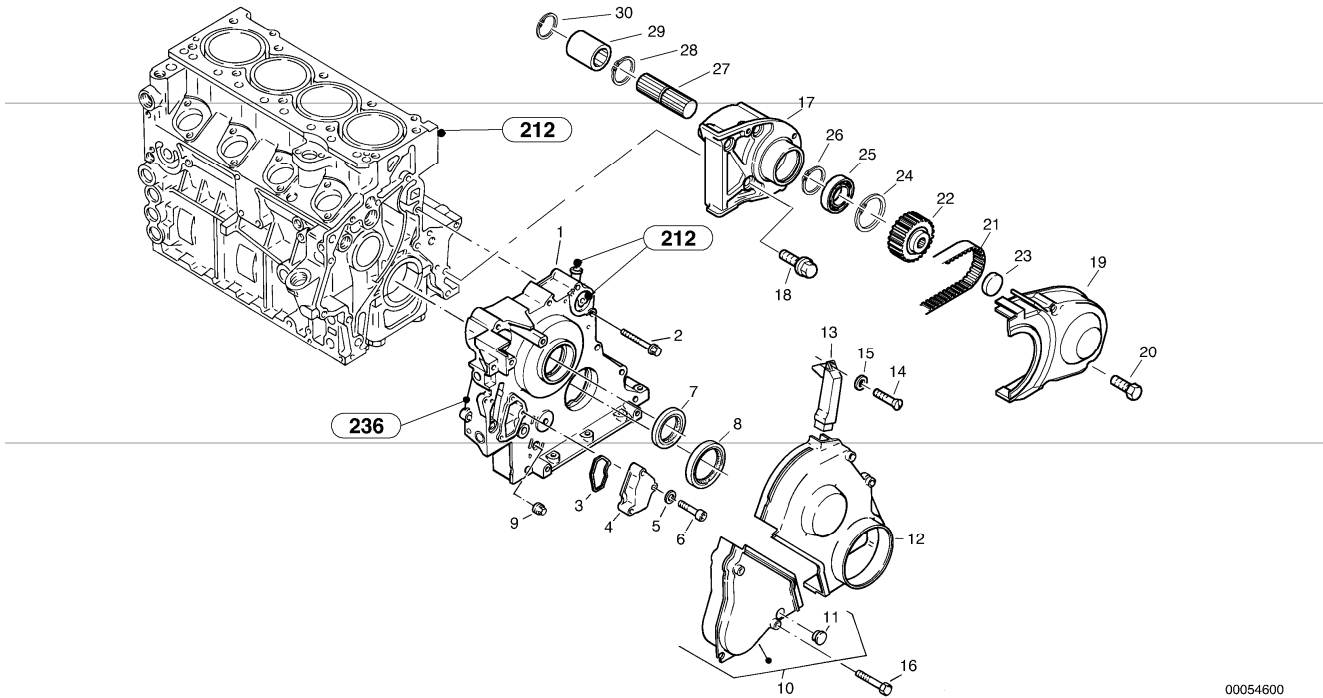
Date: 2013/11/14	Image id: 00000079	Catalogue: 07517	Model: L32B
Brand: Volvo	Serial: 1842201-1842999	Group/Section: 215/100	Title: Camshaft



00000079

Pos	Part	Q1	Q2	Q3	Q4	Q5	PS	Kit	Description	Option(s)	Remark
1	ZM8095503	1							Screw		M8x35
2	ZM2290517	1							Spacer disc		
3	ZM2905357	1							Camshaft		
4	ZM2290519	1							Toothed belt wheel		
5	ZM2904890	1							Repair kit (toothed belt)		
6	ZM2290522	1							Washer		
7	VOE20797281	1							Hexagon screw		M14x1,5x110
8	ZM2903828	REQ					OP		Locking agent		
9	ZM2904101	2							Valve tappet		
10	ZM2290524	2							Push rod		

Date: 2013/11/14	Image id: 00054600	Catalogue: 07517	Model: L32B
Brand: Volvo	Serial: 1842201-1842999	Group/Section: 2153/100	Title: Timing gear housing (front cover)



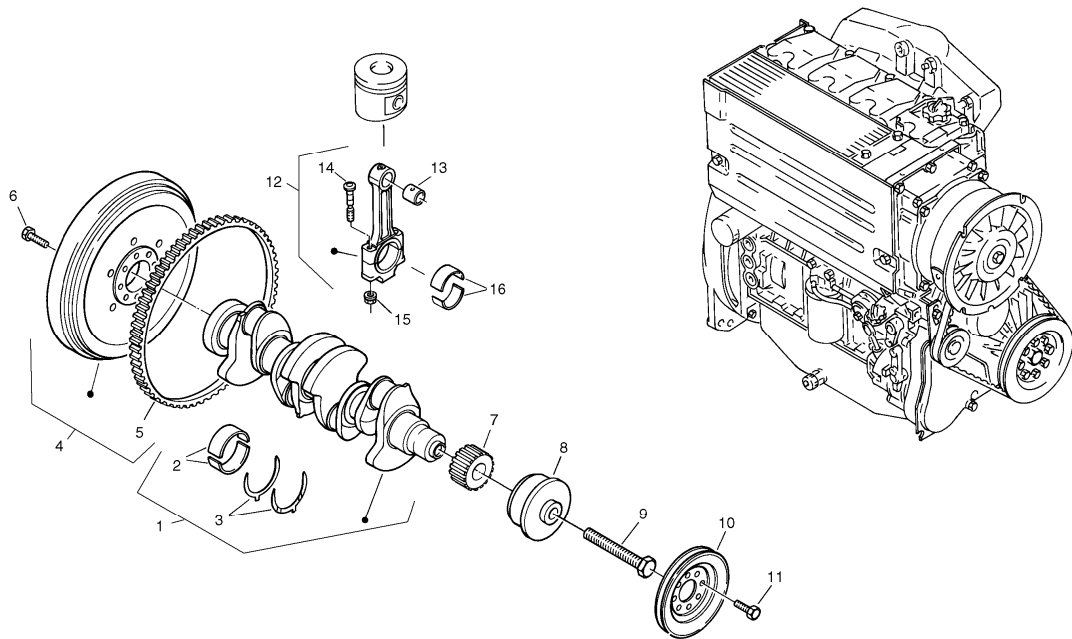
00054600

Pos	Part	Q1	Q2	Q3	Q4	Q5	PS	Kit	Description	Option(s)	Remark
1	ZM2904069	1							Front cover		
2	ZM2904100	11					SS		Screw		
3	ZM2904068	1							Profil gasket		
4	ZM2904070	1							Cover		
5	VOE955892	3							Washer		(ZM7098752)B6,4
6	ZM7096552	3							Screw		M6x35
7	ZM2291470	1							Seal		
8	ZM2290458	1							Seal		
9	ZM8096511	1							Screw plug		M14x1,5
10	ZM2905384	1							Protective hood		
10	ZM2290486	1							Protective hood		(ZM2908174)See footnote 1375)
11	ZM2904072	1							••Plug		
12	ZM2290487	1							Protective hood		
12	ZM2905383	1							Protecting casing		(ZM2908175)See footnote 1375)
13	ZM2900130	1					SS		Air duct		
14	ZM2900131	1							Screw		M4x12
15	VOE955891	1							Washer		(ZM7098754)A4,3
16	VOE955282	4							Hexagon screw		(ZM7095114)M6x70

17	ZM2910193	1							Conversion kit		(ZM2906900)See footnote 1375)
18	ZM2906901	3							Screw		See footnote 1375)
19	ZM2906902	1							Protecting casing		See footnote 1375)
20	ZM7095113	2							Screw		See footnote 1375)
21	ZM2905399	1							Toothed belt		See footnote 1375)
22	ZM2905398	1							Pulley		See footnote 1375)
23	ZM2905397	1							Cover		See footnote 1375)
24	ZM7094944	1							Lock Ring		See footnote 1375) 68x2,5
25	ZM2905396	1							Bearing		See footnote 1375)
26	ZM4332271	1							Lock Ring		See footnote 1375)
27	ZM2905395	1					SS		Toothed shaft		(ZM2908176)See footnote 1375)
28	ZM7094951	1							Snap Ring		See footnote 1375) 16x1
29	ZM4076320	1							Plate		See footnote 1375)
30	VOE955970	1							Retaining ring		(ZM7094953)See footnote 1375) 14x1

1375) only by auxiliary pump

Date: 2013/11/14	Image id: 00000100	Catalogue: 07517	Model: L32B
Brand: Volvo	Serial: 1842201-1842999	Group/Section: 216/100	Title: Crankshaft

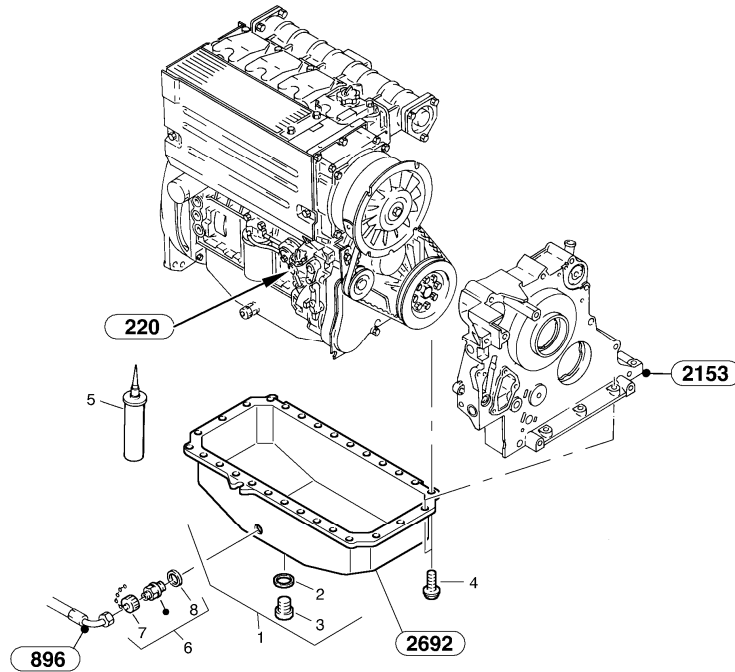


00000100

Pos	Part	Q1	Q2	Q3	Q4	Q5	PS	Kit	Description	Option(s)	Remark
1	ZM2905351	1							Crankshaft		
2	ZM2290402	REQ							••Crankshaft bearing		69,50 mm
2	ZM2900539	REQ							••Crankshaft bearing		69,75 mm
2	ZM2290400	5							••Crankshaft bearing		70,00 mm
3	VOE20944762	1							••Thrust Washer		2,40 mm
3	VOE20944769	REQ							••Thrust Washer		2,60 mm
4	ZM2904103	1					SS		Fly wheel		-1842310
4	ZM2908532	1							Flywheel		1842311-
5	ZM2904104	1							••Gear ring		-1842310
5	ZM2908533	1							••Gear ring		1842311-
6	ZM2290407	8							Screw		
7	ZM2290408	1							Toothed belt wheel		
8	ZM2904102	1							Flange		
9	ZM2290411	1							Screw		
10	ZM2905385	1							V-belt pulley		
11	ZM2908482	8							Screw		(ZM2900545)
12	ZM2904174	4							Connecting rod		

13	ZM2290431	1							••Bushing		33,07 - 33,11 mm
13	ZM2900544	REQ							••Bushing		33,32 - 33,36 mm
14	ZM2904106	2							••Screw		
15	ZM2290415	2							••Nut		
16	ZM2900543	REQ							Big end bearing		54,50 mm
16	ZM2900542	REQ							Big end bearing		54,75 mm
16	ZM2290432	4							Big end bearing		55,00 mm

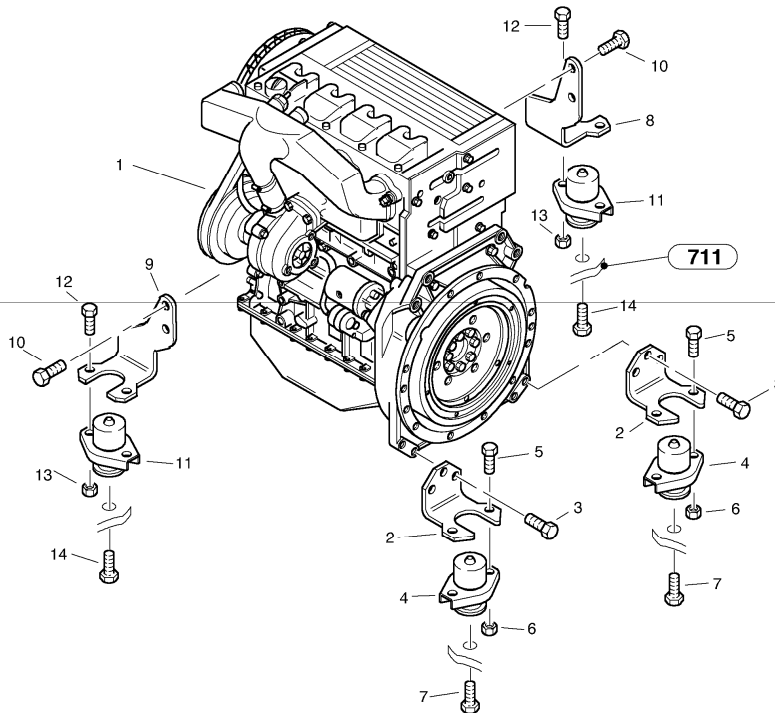
Date: 2013/11/14	Image id: 00062100	Catalogue: 07517	Model: L32B
Brand: Volvo	Serial: 1842201-1842999	Group/Section: 217/100	Title: Oil sump



00062100

Pos	Part	Q1	Q2	Q3	Q4	Q5	PS	Kit	Description	Option(s)	Remark
1	ZM2904060	1							Oil pan		
2	VOE13947624	1							••Plane gasket		(ZM7099511)A18x24
3	ZM7099428	1							••Screw plug		M18x1,5
4	ZM2292234	26							Screw		
5	ZM2903926	REQ							Sealing compound		
6	ZM4384256	1							Valve		
7	ZM2285689	1							••Chain with cap		
8	ZM7099518	1							••Seal		C18x24

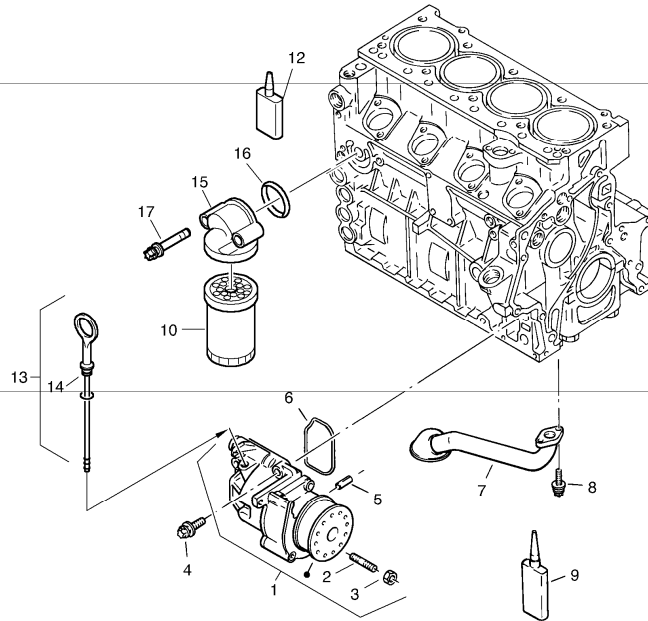
Date: 2013/11/14	Image id: 00052600	Catalogue: 07517	Model: L32B
Brand: Volvo	Serial: 1842201-1842999	Group/Section: 218/100	Title: Engine assy



00052600

Pos	Part	Q1	Q2	Q3	Q4	Q5	PS	Kit	Description	Option(s)	Remark
1	ZM2814965	1							Engine, cpl.		
2	ZM2807295	2							Retainer		
3	ZM4326456	2					SS		Screw		M14x30
4	VOE11306533	2							Buffer		(ZM4381063)
5	VOE983252	4							Hexagon screw		(ZM8095900)
6	VOE983304	4							Hexagon nut		M10
7	VOE978932	2							Hexagon screw		(ZM8096639)M12x30
8	ZM2810650	1							Retainer		
9	ZM2810649	1							Retainer		
10	ZM4326456	4					SS		Screw		M14x30
11	VOE11306533	2							Buffer		(ZM4381063)
12	VOE983252	4							Hexagon screw		(ZM8095900)
13	VOE983304	4							Hexagon nut		M10
14	VOE978932	2							Hexagon screw		(ZM8096639)M12x30

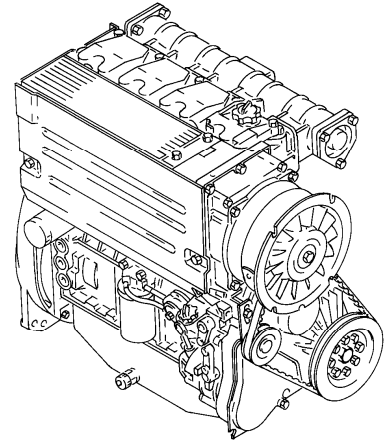
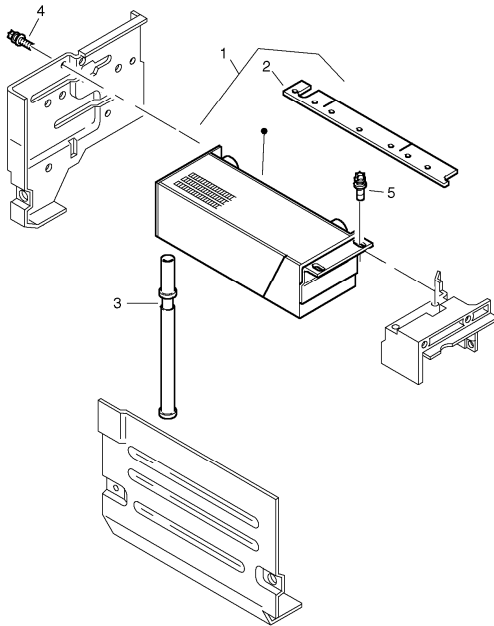
Date: 2013/11/14	Image id: 00051501	Catalogue: 07517	Model: L32B
Brand: Volvo	Serial: 1842201-1842999	Group/Section: 220/100	Title: Oil pump, oil filter



00051501

Pos	Part	Q1	Q2	Q3	Q4	Q5	PS	Kit	Description	Option(s)	Remark
1	VOE11715526	1							Oil pump		(ZM2904116)
2	ZM2290460	1					SS		••Bearing spindle		M6x40
3	ZM7098000	1							••Nut		M6
4	ZM2904117	4							Screw		
5	ZM2904118	2							Clamping pin		
6	ZM2904119	1							Gasket		
7	VOE11715751	1							Oil pipe		(ZM2904124)
8	ZM2904040	2					SS		Screw		
9	ZM2903828	REQ					OP		Locking agent		
10	ZM2904941	1							Oil filter		
12	VOE20464471	REQ							Locking fluid		
13	ZM2905170	1							Oil dipstick		
14	ZM2905171	1							••O-ring		
15	ZM2907622	1							Bracket		
16	ZM2907372	1							O-ring		
17	ZM2291482	2							Screw		

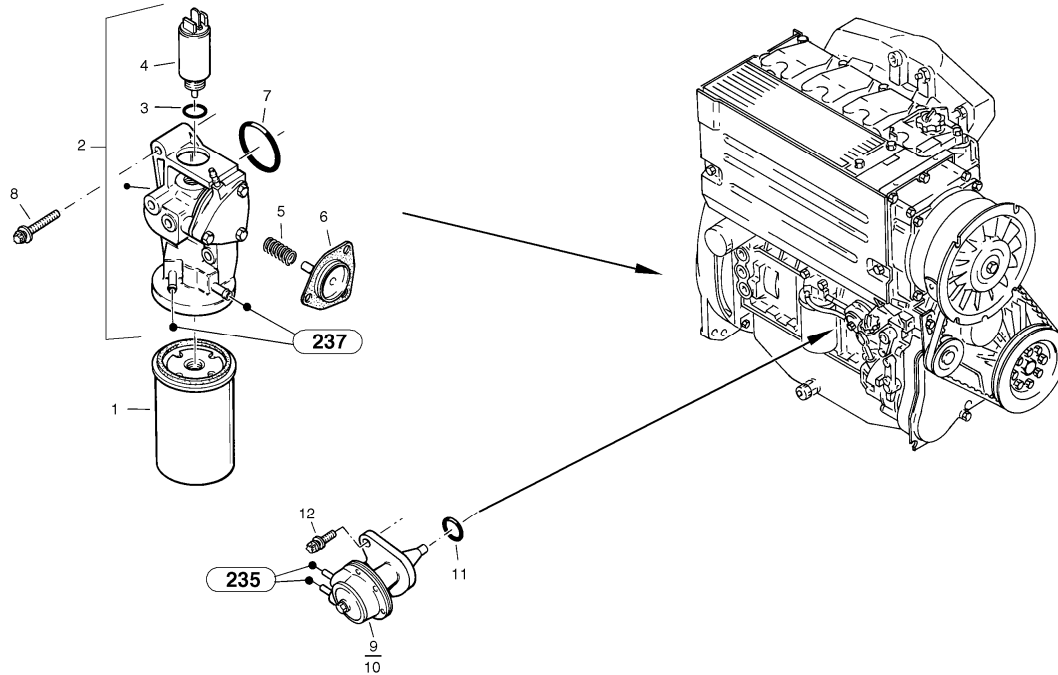
Date: 2013/11/14	Image id: 00000059	Catalogue: 07517	Model: L32B
Brand: Volvo	Serial: 1842201-1842999	Group/Section: 223/100	Title: Engine - oil cooler



00000059

Pos	Part	Q1	Q2	Q3	Q4	Q5	PS	Kit	Description	Option(s)	Remark
1	ZM2905358	1					SS		Oil cooler		
2	ZM2905359	1							••Sealing strip		
3	ZM2904123	2							Insert pipe		
4	ZM2904121	2							Screw		
5	ZM2901217	2							Screw		(ZM2904122)

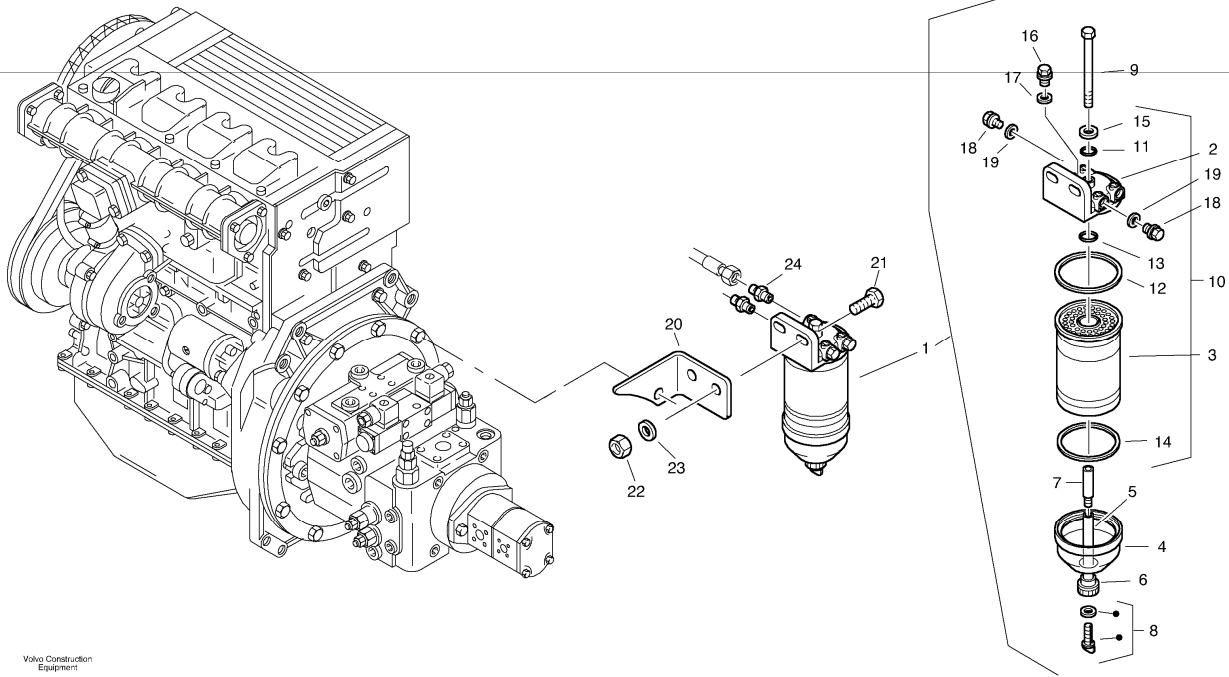
Date: 2013/11/14	Image id: 00000106	Catalogue: 07517	Model: L32B
Brand: Volvo	Serial: 1842201-1842999	Group/Section: 233/100	Title: Fuel filter - Feed pump



00000106

Pos	Part	Q1	Q2	Q3	Q4	Q5	PS	Kit	Description	Option(s)	Remark
1	ZM2905303	1							Filter		
2	ZM2905387	1							Fuel load stop		
3	ZM2904200	1							••O-ring		
4	VOE15185105	1							••Solenoid		(ZM2905388)
5	ZM2904199	1							••Thrust Spring		
6	ZM2904198	1					OP		••Diaphragm holder		(ZM2905389)
7	ZM2904201	1							O-ring		
8	ZM2291482	3							Screw		
9	ZM2904380	1							Feed pump		
10	ZM2904381	1							Repair kit		
11	ZM2290370	1							O-ring		
12	ZM2904137	2							Screw		

Date: 2013/11/14	Image id: 1000961	Catalogue: 07517	Model: L32B
Brand: Volvo	Serial: 1842201-1842999	Group/Section: 23341/100	Title: Filter - Water separator

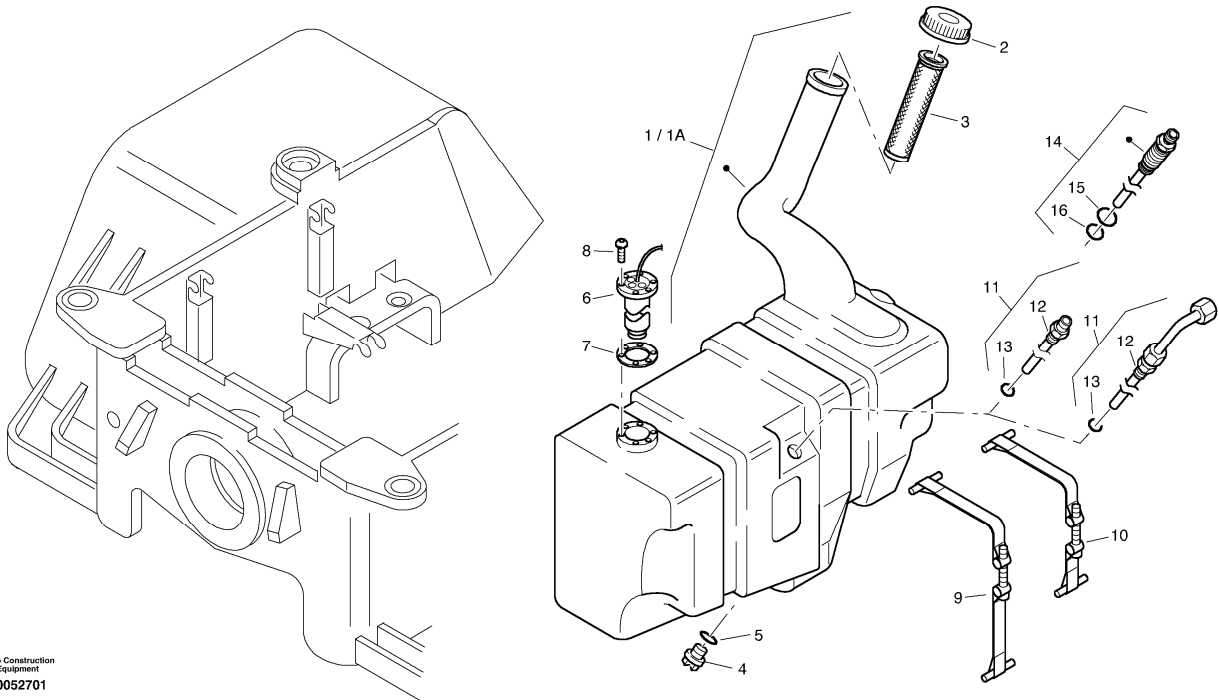


Volvo Construction
Equipment
1000961

Pos	Part	Q1	Q2	Q3	Q4	Q5	PS	Kit	Description	Option(s)	Remark
1	ZM2807872	1							Fuel filter		
2	ZM2905307	1					SS		••Filter head		
3	ZM2905298	1							••Filter cartridge		
4	ZM2905299	1							••Sight glass		
5	ZM2905300	1							••Knurled head screw		
6	VOE7242081	1							••Washer		(ZM2905301)
7	ZM2905302	1							••Screw		
8	VOE242595	1							••Plug		(ZM2905304)
9	ZM2910000	1							••Screw		
10	ZM2905306	1							••Gasket set, cpl.		
11	ZM2905308	1							•••O-ring		
12	ZM2905309	1							•••Gasket		
13	ZM2905310	1							•••O-ring		
14	ZM2905311	1							•••Gasket		
15	ZM2905312	1							•••Washer		
16	ZM2905313	1							••Screw		
17	ZM2164940	1							••Seal		A10x14
18	ZM7099404	2							••Lock Plug		AM14x1,5
19	ZM2905314	2							••Seal		

20	ZM2816411	1							Retainer		
21	VOE983251	2							Hexagon screw		(ZM7094813)M10x25
22	VOE983304	2							Hexagon nut		M10
23	VOE960148	2							Washer		(ZM7098741)B10,5
24	VOE11306928	2							Stud		L10MB

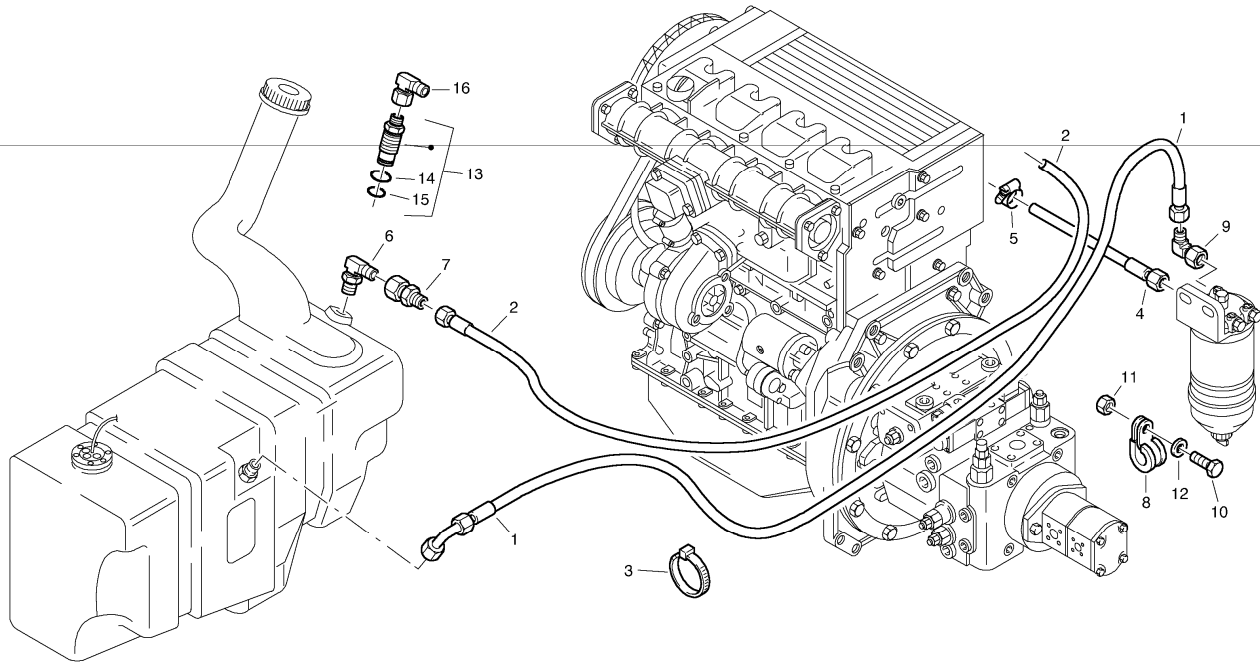
Date: 2013/11/14	Image id: 00052701	Catalogue: 07517	Model: L32B
Brand: Volvo	Serial: 1842201-1842999	Group/Section: 234/100	Title: Fuel tank



Volvo Construction
Equipment
00052701

Pos	Part	Q1	Q2	Q3	Q4	Q5	PS	Kit	Description	Option(s)	Remark
1	VOE11370525	1							Conversion kit		-1842377
1A	VOE11306084	1							Fuel reservoir		1842378-
2	ZM2804113	1							•Filler cap		
3	ZM2804112	1							•Fuel strainer		
4	ZM7099428	1							•Screw plug		M18x1,5
5	ZM1086268	1							•O-ring		16x3
6	ZM2805649	1							Fuel level sensor		
7	ZM2906069	1							•Gasket		
8	VOE11305438	6							Screw		(ZM7096666)M4x12
9	ZM2811413	1							Clamp		
10	ZM2811414	1							Clamp		
11	VOE15622108	1							Suction pipe		(ZM2811730)-1842306
11	ZM2816077	1							Suction line		1842307-
12	ZM2811249	1							Pipe end		
13	ZM2906070	1							•O-ring		13,4x2,1
14	VOE11306081	1							Suction pipe		1842378-
15	VOE11370540	1							•O-ring		22x5,5
16	VOE11370541	1							•O-ring		14x5

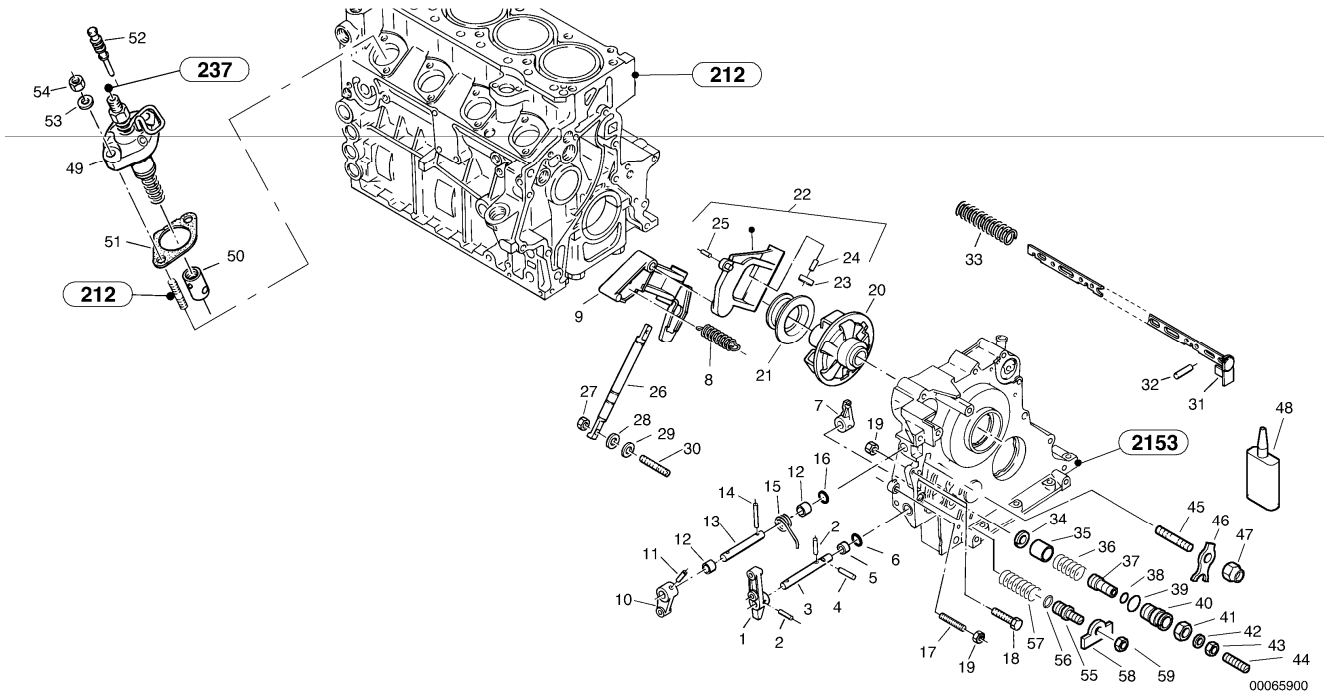
Date: 2013/11/14	Image id: 00004301	Catalogue: 07517	Model: L32B
Brand: Volvo	Serial: 1842201-1842999	Group/Section: 235/100	Title: Fuel pipes



Volvo Construction
Equipment
00004301

Pos	Part	Q1	Q2	Q3	Q4	Q5	PS	Kit	Description	Option(s)	Remark
1	ZM2811482	1							Fuel hose		-1842306
1	ZM2814822	1							Fuel hose		1842307-
2	ZM2811484	1							Fuel hose		-1842306
2	ZM2814635	1							Fuel hose		1842307-
3	ZM2193590	2							Cable clip		
4	ZM2811483	1							Fuel hose		
5	ZM2060781	1							Clip		12x9
6	ZM2800658	1							Fitting		
7	VOE11307078	1							Fitting		(ZM7091432)
8	ZM8091927	1							Clip		1842307-
9	VOE13945357	1							Elbow nipple		1842307-
10	VOE11306472	1							Hexagon screw		(ZM7095003)M6x30 1842307-
11	ZM7098000	1							Nut		M6 1842307-
12	ZM7099093	1							Washer		B6,4 1842307-
13	VOE11306079	1							Fitting		1842378-
14	VOE11370540	1							•O-ring		22x5,5
15	VOE11370541	1							•O-ring		14x5
16	VOE13945357	1							Elbow nipple		1842378-

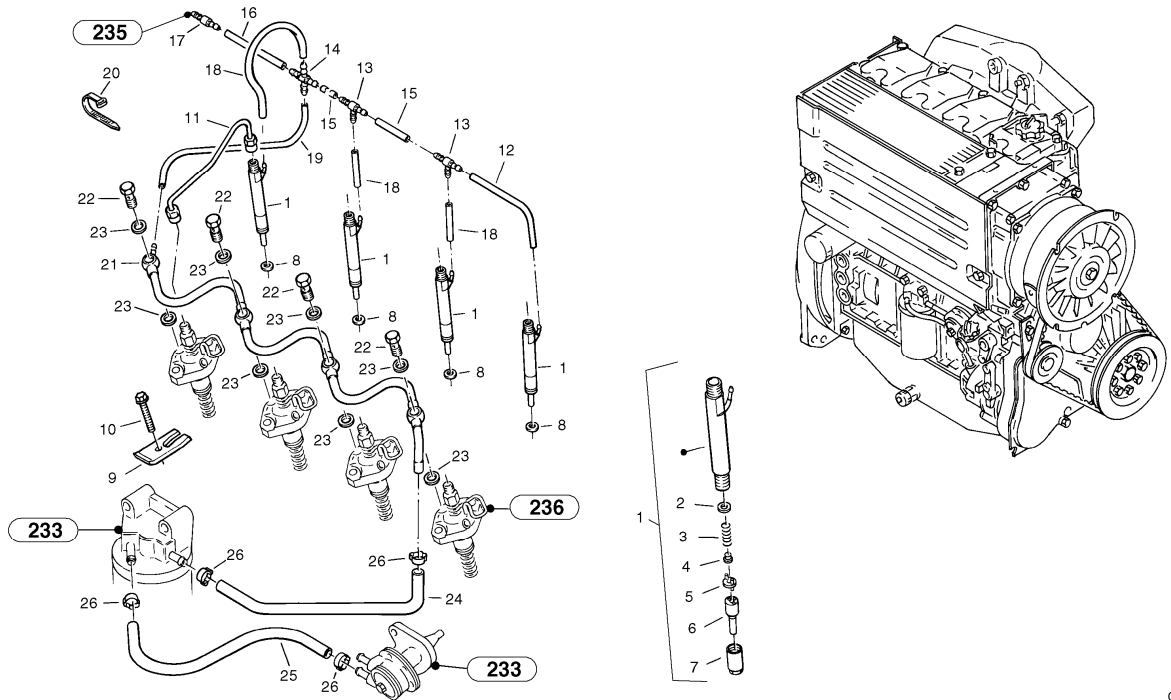
Date: 2013/11/14	Image id: 00065900	Catalogue: 07517	Model: L32B
Brand: Volvo	Serial: 1842201-1842999	Group/Section: 236/100	Title: Speed adjustment - Fuel injection pump



Pos	Part	Q1	Q2	Q3	Q4	Q5	PS	Kit	Description	Option(s)	Remark
1	ZM2904077	1							Lever		
2	ZM7099461	2							Clamping pin		5x20
3	ZM2291460	1							Regulator lever shaft		
4	ZM2292257	1							Bolt		
5	ZM2290478	1					SS		Sleeve		
6	ZM2291459	1							O-ring		
7	ZM2900507	1							Lever		
8	VOE11715758	1					SS		Tension spring		(ZM2905368)
9	VOE11370648	1							Hand lever		(ZM2904078)
10	ZM2290482	1							Stop lever		
11	ZM7099461	1							Clamping pin		5x20
12	ZM2290478	2					SS		Sleeve		
13	ZM2292255	1							Lever shaft		
14	ZM2291481	1							Pin		5x45
15	ZM2291464	1							Torsion spring		
16	ZM2291459	1							O-ring		
17	VOE15051912	1							Set screw		(ZM2291466)M6x50
18	ZM7095068	1							Screw		M6x25
19	ZM7098000	2							Nut		M6

20	VOE11370251	1						Centrifugal governor		(ZM2904074)
21	ZM2904079	1						Sleeve		
22	ZM2904076	1					SS	Roller lever		
23	ZM2904081	2						••Ball bearing		608-2Z
24	VOE11715759	2						••Bolt		(ZM2904082)A8K6x20
25	VOE20460241	1						••Screw		(ZM7095520)A4x8
26	ZM2904080	1						Axle		
27	ZM7098000	2						Nut		M6
28	ZM2291467	2						Washer		
29	ZM2291465	2						Washer		
30	VOE11370223	2						Stud		(ZM2291463)M6x12
31	ZM2904084	1						Control rod		
32	ZM2904085	1						Fixed pin		
33	ZM2290471	1						Pressure spring		
34	VOE955970	1						Retaining ring		(ZM7094953)14x1
35	ZM2906905	1						Stop		
36	ZM2291475	1						Pressure spring		
37	ZM2291476	1					SS	Adjusting screw		
38	ZM2291479	1						O-ring		
39	ZM2291480	1						O-ring		
40	ZM2906904	1						Adjusting screw		
41	VOE11700373	1						Nut		
42	ZM2904086	1						Seal		
43	VOE955780	1						Hexagon nut		(ZM7098004)M5
44	ZM2906906	1						Screwed pin		
45	ZM2176900	1					OP	Stud		
46	ZM2291472	1						Claw		
47	ZM7098392	1						Nut		M6
48	VOE20464471	REQ						Locking fluid		
49	ZM2904379	4						Injection Pump		
50	ZM2901356	4						Roller tappet		
51	ZM2904128	4						Balancer gasket		0,4 mm
51	ZM2904129	REQ						Balancer gasket		0,5 mm
51	ZM2904130	REQ						Balancer gasket		0,6 mm
51	ZM2904131	REQ						Balancer gasket		0,7 mm
51	ZM2904132	REQ						Balancer gasket		0,8 mm
51	ZM2904133	REQ						Balancer gasket		0,9 mm
51	ZM2904134	REQ						Balancer gasket		1,0 mm
52	ZM2904135	4						Plug		
53	VOE20405802	8						Washer		(ZM4072470)
54	ZM7098010	8						Nut		M8
55	ZM2905364	1					SS	Case		
56	ZM2905365	1						O-ring		
57	ZM2905367	1						Pressure spring		
58	ZM2905366	1						Washer		
59	ZM7098392	1						Nut		M6

Date: 2013/11/14	Image id: 00000095	Catalogue: 07517	Model: L32B
Brand: Volvo	Serial: 1842201-1842999	Group/Section: 237/100	Title: Injection pipes, Injection valve



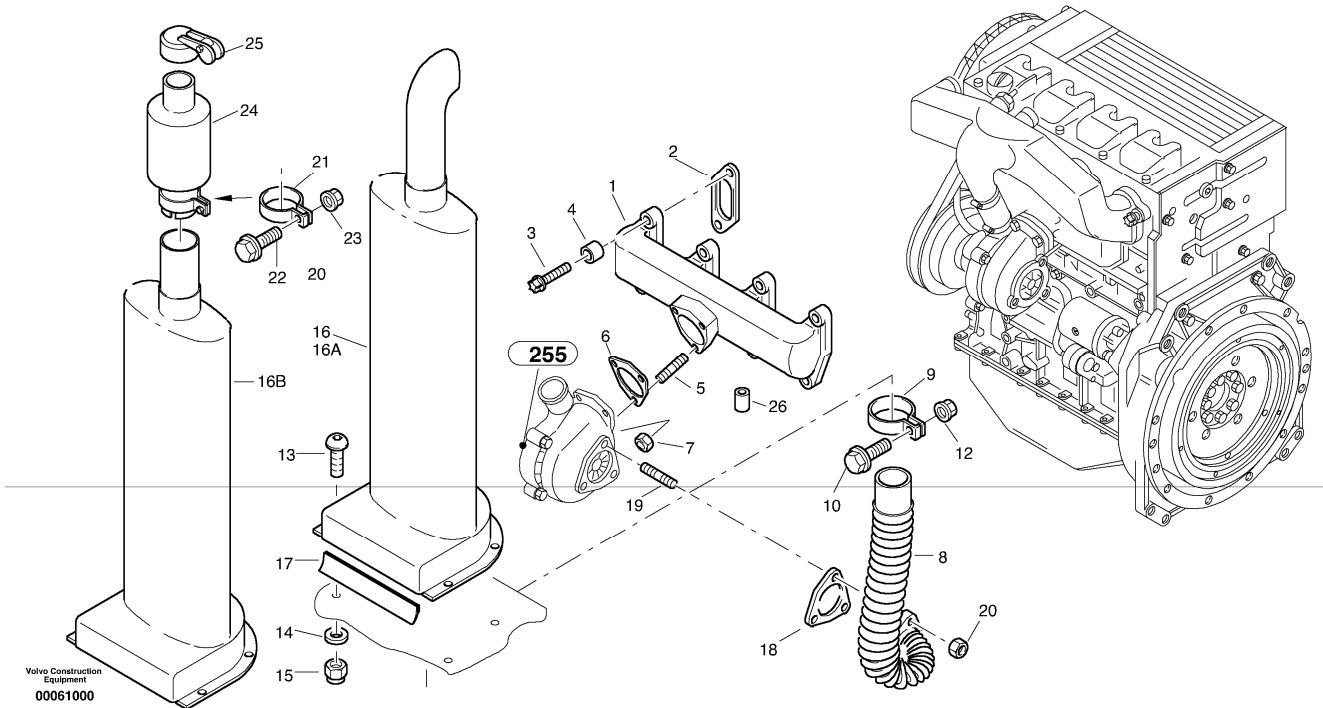
00000095

Pos	Part	Q1	Q2	Q3	Q4	Q5	PS	Kit	Description	Option(s)	Remark
1	ZM2904138	4							Injection valve		
2	VOE11705716	1							••Shim		(ZM2901179)1,00 mm
2	ZM2901180	REQ							••Spacer		1,04 mm
2	VOE11705718	REQ							••Shim		(ZM2901181)1,08 mm
2	ZM2901182	REQ							••Spacer		1,10 mm
2	ZM2901183	REQ							••Spacer		1,14 mm
2	ZM2901184	REQ							••Spacer		1,18 mm
2	VOE11705722	REQ							••Shim		(ZM2901185)1,20 mm
2	ZM2904144	REQ							••Spacer		1,22 mm
2	ZM2901186	REQ							••Spacer		1,24 mm
2	ZM2901187	REQ							••Spacer		1,28 mm
2	ZM2901188	REQ							••Spacer		1,30 mm
2	VOE11705726	REQ							••Shim		(ZM2901189)1,34 mm
2	ZM2901190	REQ							••Spacer		1,38 mm
2	ZM2901191	REQ							••Spacer		1,40 mm
2	ZM2901192	REQ							••Spacer		1,44 mm
2	ZM2901193	REQ							••Spacer		1,48 mm
2	ZM2901194	REQ							••Spacer		1,50 mm
2	ZM2901195	REQ							••Spacer		1,54 mm
2	ZM2901196	REQ							••Spacer		1,58 mm

2	ZM2901197	REQ							••Spacer		1,60 mm
2	ZM2901198	REQ							••Spacer		1,64 mm
2	ZM2901199	REQ							••Spacer		1,68 mm
2	VOE11705737	REQ							••Shim		(ZM2901200)1,70 mm
2	ZM2901201	REQ							••Spacer		1,74 mm
2	ZM2901202	REQ							••Spacer		1,78 mm
2	ZM2901203	REQ							••Spacer		1,80 mm
2	VOE11705741	REQ							••Shim		(ZM2901204)1,84 mm
2	ZM2901205	REQ							••Spacer		1,88 mm
2	VOE11705743	REQ							••Shim		(ZM2901206)1,90 mm
2	ZM2901207	REQ							••Spacer		1,94 mm
2	VOE11700462	REQ							••Shim		1,98 mm
3	ZM2904141	1							••Pressure spring		
4	VOE20405525	1							••Bolt		
5	VOE11700430	1							••Washer		(ZM2904142)
6	ZM2904140	1							••Nozzle element		
7	ZM2904143	1							••Clamping nut		
8	VOE11700426	4							Sealing ring		(ZM2290392)
9	ZM2904139	4							Stabilisor		
10	ZM2901217	4							Screw		(ZM2904122)
11	ZM2904751	4							Injection pipes		
12	ZM2908047	1							Leak-off line		(ZM2905337)See footnote 1365)
13	VOE20775904	2							Fitting		See footnote 1365)
14	ZM2908047	1							Leak-off line		See footnote 1365)
15	ZM2908047	2							Leak-off line		(ZM2900414)See footnote 1365)
16	ZM2908047	1							Leak-off line		See footnote 1365)
17	ZM2290388	1							Connecting piece		See footnote 1365)
18	ZM2908047	3							Leak-off line		See footnote 1365)
19	VOE20405864	1							Fuel hose		(ZM2908049)See footnote 1365)
20	ZM2905336	1							Holder ribbon		
21	ZM2904146	1							Fuel pipe		
22	ZM2290272	4					SS		Hollow screw		8
23	ZM5138008	8							Seal		(ZM7099528)A12x18
24	ZM2908264	1							Rubber hose		(ZM2904148)
25	ZM2908264	1							Rubber hose		(ZM2290398)
26	VOE20914426	4							Hose Clamp		(ZM2904147)

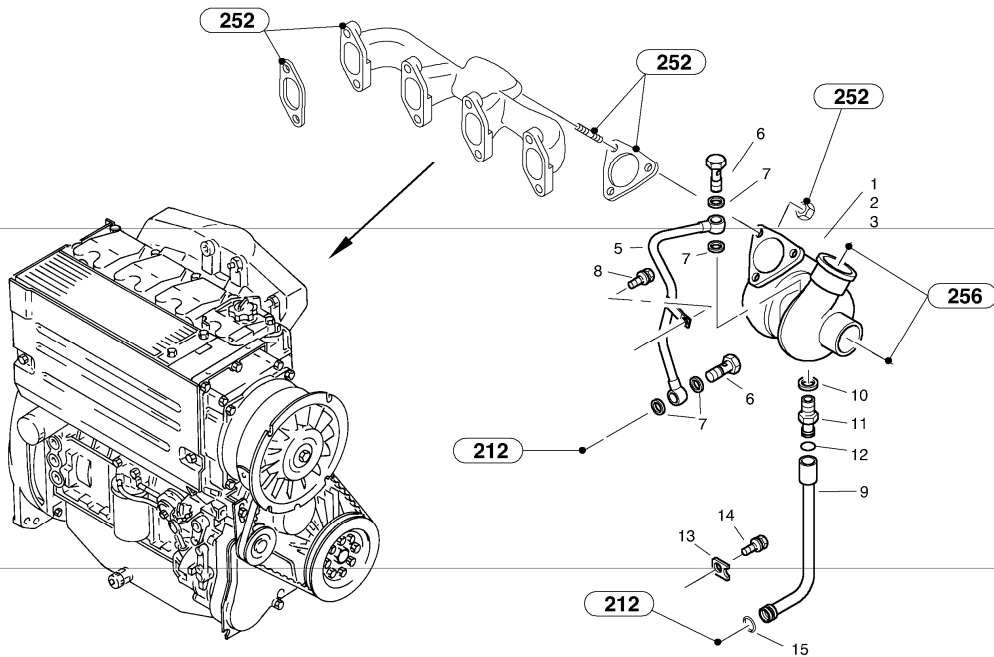
1365) only 2908047 cpl. deliverable

Date: 2013/11/14	Image id: 00061000	Catalogue: 07517	Model: L32B
Brand: Volvo	Serial: 1842201-1842999	Group/Section: 252/100	Title: Exhaust system



Pos	Part	Q1	Q2	Q3	Q4	Q5	PS	Kit	Description	Option(s)	Remark
1	ZM2907513	1							Collecting pipe		(ZM2904411)
2	ZM4083910	4							Stiffener		
3	VOE20481810	8							Screw		(ZM2904037)
4	ZM2904412	8							Bushing		
5	VOE20834041	3							Stud		M8x20
6	ZM2900459	1							Gasket		
7	ZM7098010	3							Nut		M8
8	ZM2810937	1							Exhaust hose		
9	VOE11306075	1							Clamp		(ZM8092911)58,5
10	VOE983244	1							Hexagon screw		(ZM7095519)M8x30
11	VOE11305837	2							Washer		(ZM7090940)B 8,4
12	ZM7098010	1							Nut		M8
13	ZM2810334	4							Screw		M10x25
14	VOE11307559	4							Washer		(ZM7099094)B10,5
15	ZM2120430	4							Nut		VM10
16	ZM2810936	1							Muffler		
16	ZM2878810	1					OP		Catalyser		
17	VOE11306373	1							Sealing moulding		(ZM4419055)L 300MM =
18	ZM4083930	1							Stiffener		

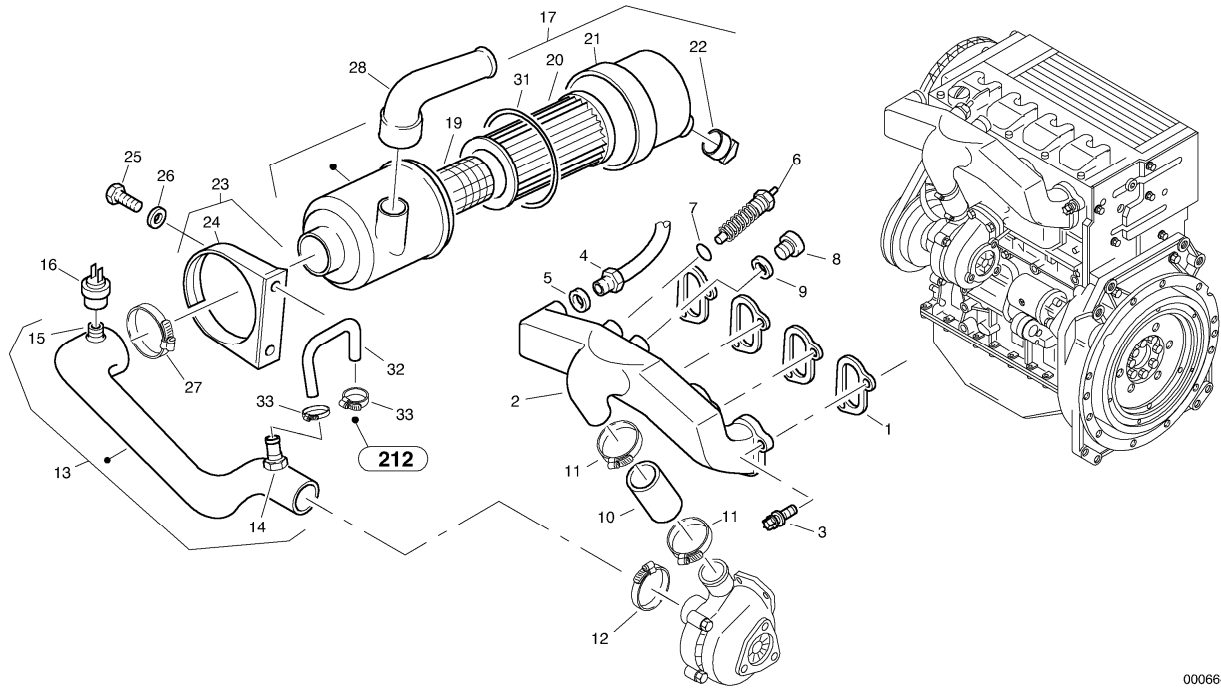
Date: 2013/11/14	Image id: 00066000	Catalogue: 07517	Model: L32B
Brand: Volvo	Serial: 1842201-1842999	Group/Section: 255/100	Title: Exhaust turbo - super charger



00066000

Pos	Part	Q1	Q2	Q3	Q4	Q5	PS	Kit	Description	Option(s)	Remark
1	ZM2904185	1							Exhaust turbo - super cha		
2	ZM2905393	REQ							Repair Kit		
3	ZM2905394	REQ					OP		Fuselage group		
5	ZM2904732	1							Oil Pipe		
6	ZM2290272	2					SS		Hollow screw		8
7	VOE13947282	4							Gasket		(ZM7099538)A12x16
8	ZM2904733	1							Screw		
9	ZM2904764	1							Oil pipe		
10	VOE13947622	1							Plane gasket		(ZM7099500)A16x20
11	VOE20459171	1							Nipple		
12	VOE20459172	1							Sealing ring		
13	ZM2905360	1							Retaining plate		
14	ZM2904733	1							Screw		
15	ZM2904191	1							O-ring		

Date: 2013/11/14	Image id: 00066400	Catalogue: 07517	Model: L32B
Brand: Volvo	Serial: 1842201-1842999	Group/Section: 256/100	Title: Suction system, filter

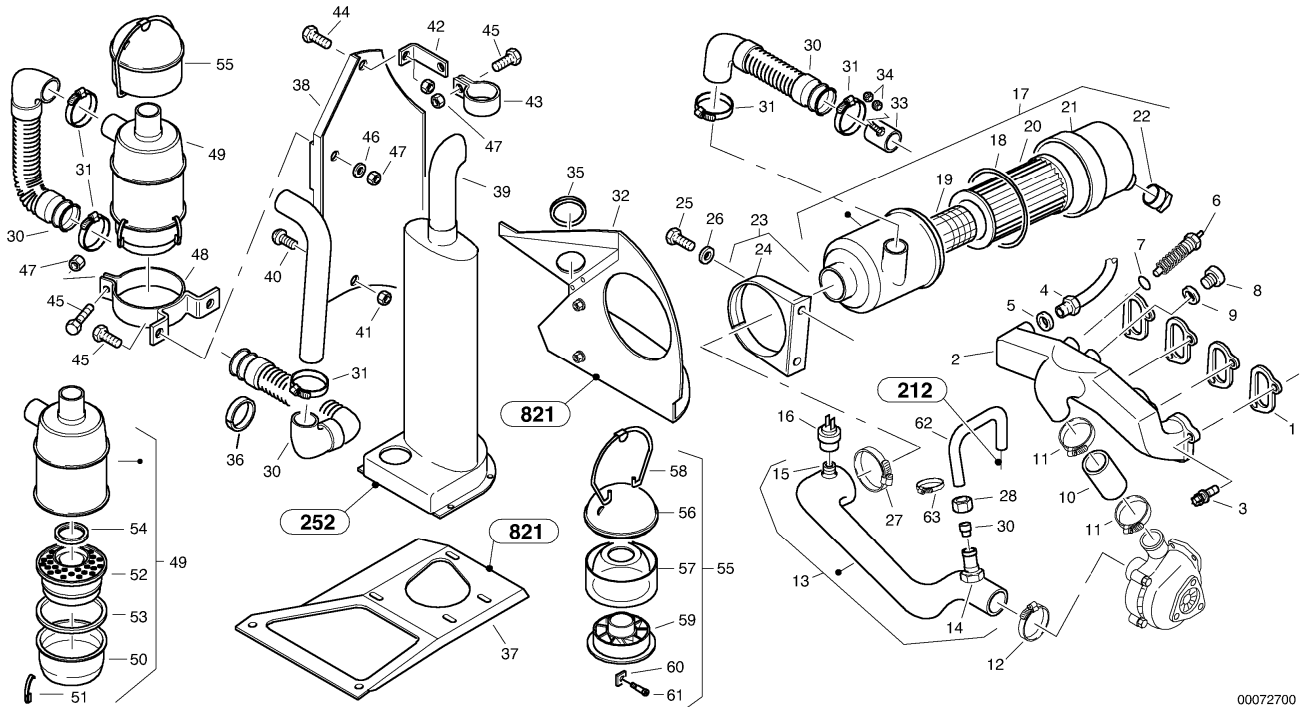


00066400

Pos	Part	Q1	Q2	Q3	Q4	Q5	PS	Kit	Description	Option(s)	Remark
1	ZM2903605	4							Gasket		
2	ZM2905362	1							Suction pipe		
3	VOE3586624	8							Hexagon screw		(ZM2905363)
4	ZM2905386	1							Hose assembly		M10x1
5	ZM7099577	1					SS		Seal		A10x13,5
6	ZM4065780	1							Support		
7	VOE20460026	1							Sealing ring		(ZM7099523)A22x27
8	ZM7099424	1							Screw plug		M22x1,5
9	VOE20460026	1							Sealing ring		(ZM7099523)A22x27
10	ZM4074550	1							Hose connection		
11	ZM4084040	2							Clamp		
12	ZM2060784	1							Clip		AS50-70
13	ZM2817353	1							Suction hose		
14	ZM2815843	1							••Hose kit		
15	ZM2906058	1							••Nipple		
16	ZM2815506	1							Warning switch		
17	ZM2811086	1							Air filter		
19	ZM2903850	1							••Insert		
20	ZM2903849	1							••Micro-Top-Cartouche		

21	ZM2907907	1							••Under part		
22	ZM2061390	1							••Dust discharge valve		
23	ZM2804863	1							Retainer		
24	ZM2903851	1							••Spring		
25	VOE14370277	2							Hexagon screw		(ZM7095324)M8x40
26	VOE11305837	2							Washer		(ZM7090940)B 8,4
27	ZM2060785	1							Clip		AS70-90
28	ZM2808883	1							Exhaust pipe		
31	ZM2907908	1							Ring		
32	ZM2813363	1							Air vent hose		
33	ZM2060782	2							Clip		AS20-32

Date: 2013/11/14	Image id: 00072700	Catalogue: 07517	Model: L32B
Brand: Volvo	Serial: 1842201-1842999	Group/Section: 2567/100	Title: Prefilter - Oil bath air filter

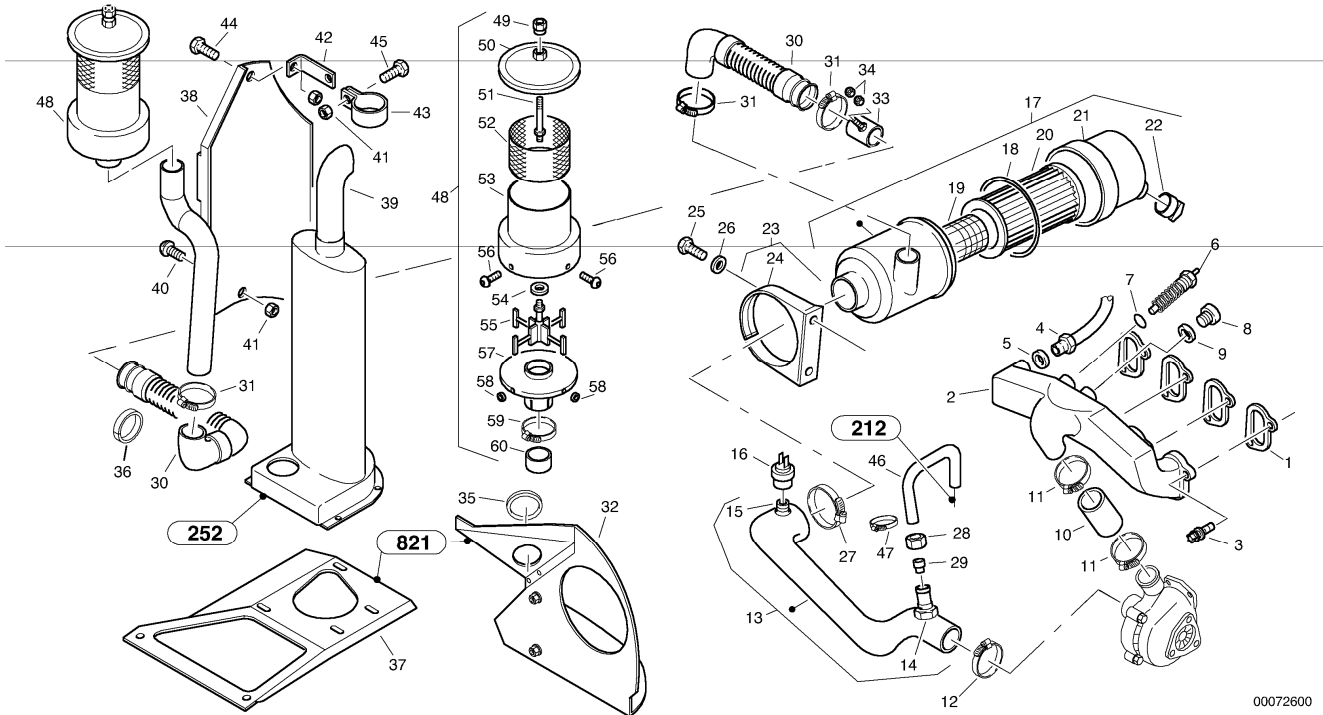


00072700

Pos	Part	Q1	Q2	Q3	Q4	Q5	PS	Kit	Description	Option(s)	Remark
1	ZM2903605	4							Gasket		
2	ZM2905362	1							Suction pipe		
3	VOE3586624	8							Hexagon screw		(ZM2905363)
4	ZM2905386	1							Hose assembly		M10x1
5	ZM7099577	1					SS		Seal		A10x13,5
6	ZM4065780	1							Support		
7	VOE20460026	1							Sealing ring		(ZM7099523)A22x27
8	ZM7099424	1							Screw plug		M22x1,5
9	VOE20460026	1							Sealing ring		(ZM7099523)A22x27
10	ZM4074550	1							Hose connection		
11	ZM4084040	2							Clamp		
12	ZM2060784	1							Clip		AS50-70
13	ZM2817353	1							Suction hose		
14	ZM2815843	1							••Hose kit		
15	ZM2906058	1							••Nipple		
16	ZM2815506	1							Warning switch		
17	ZM2811086	1							Air filter		
18	ZM2907908	1							••Ring		
19	ZM2903850	1							••Insert		
20	ZM2903849	1							••Micro-Top-		

								Cartouche		
21	ZM2907907	1						••Under part		
22	ZM2061390	1						••Dust discharge valve		
23	ZM2804863	1						Retainer		
24	ZM2903851	1						••Spring		
25	VOE14370277	2						Hexagon screw		(ZM7095324)M8x40
26	VOE11305837	2						Washer		(ZM7090940)B 8,4
27	ZM2060785	1						Clip		AS70-90
28	ZM7092960	1						Nut		AL12
29	ZM7092970	1						Ferrule		L12
30	ZM2806244	3						Hose		
31	ZM2060785	6						Clip		AS70-90
32	ZM2814234	1						Bulkhead		
33	ZM2814233	1						Pipe		
34	ZM7098010	2						Nut		M8
35	ZM2812123	1						Edge protection		(ZM4417976)L = 300MM
36	ZM4346043	1				SS		Strap		(ZM4346026)
37	ZM2814327	1						Support		
38	ZM2814227	1						Bracket		
39	ZM2814235	1						Sound absorber		
40	ZM2810329	3						Screw		MLF M8x16
41	ZM7098010	3						Nut		M8
42	ZM2814232	1						Holder		
43	ZM7092917	1						Clip		
44	VOE983242	1						Hexagon screw		M8x20
45	VOE983244	3						Hexagon screw		(ZM7095519)M8x30
46	VOE11305837	2						Washer		(ZM7090940)B 8,4
47	ZM7098010	4						Nut		M8
48	VOE11305642	1						Retainer		(ZM2198920)
49	VOE11305643	1						Oil bath air cleaner		(ZM2198930)
50	ZM5027660	1						••Oil tank		
51	VOE6634778	3						••Latch		(ZM4053980)
52	ZM5027670	1						••Insertion		
53	VOE6611320	1						••Gasket		(ZM5027690)
54	ZM5027680	1						••Gasket		
55	VOE11305645	1						Cyclone cleaner		(ZM2189670)
56	ZM2133280	1						••Cover		
57	ZM2189680	1						••Pot		
58	ZM2133300	1						••Brace		
59	ZM2189690	1						••Wing wheel		
60	VOE6617832	1						••Nut		(ZM2123040)
61	ZM2136120	1						••Screw		
62	ZM2813363	1						Air vent hose		
63	ZM2060782	2						Clip		AS20-32

Date: 2013/11/14	Image id: 00072600	Catalogue: 07517	Model: L32B
Brand: Volvo	Serial: 1842201-1842999	Group/Section: 2568/100	Title: Pre-filter - Turbo II

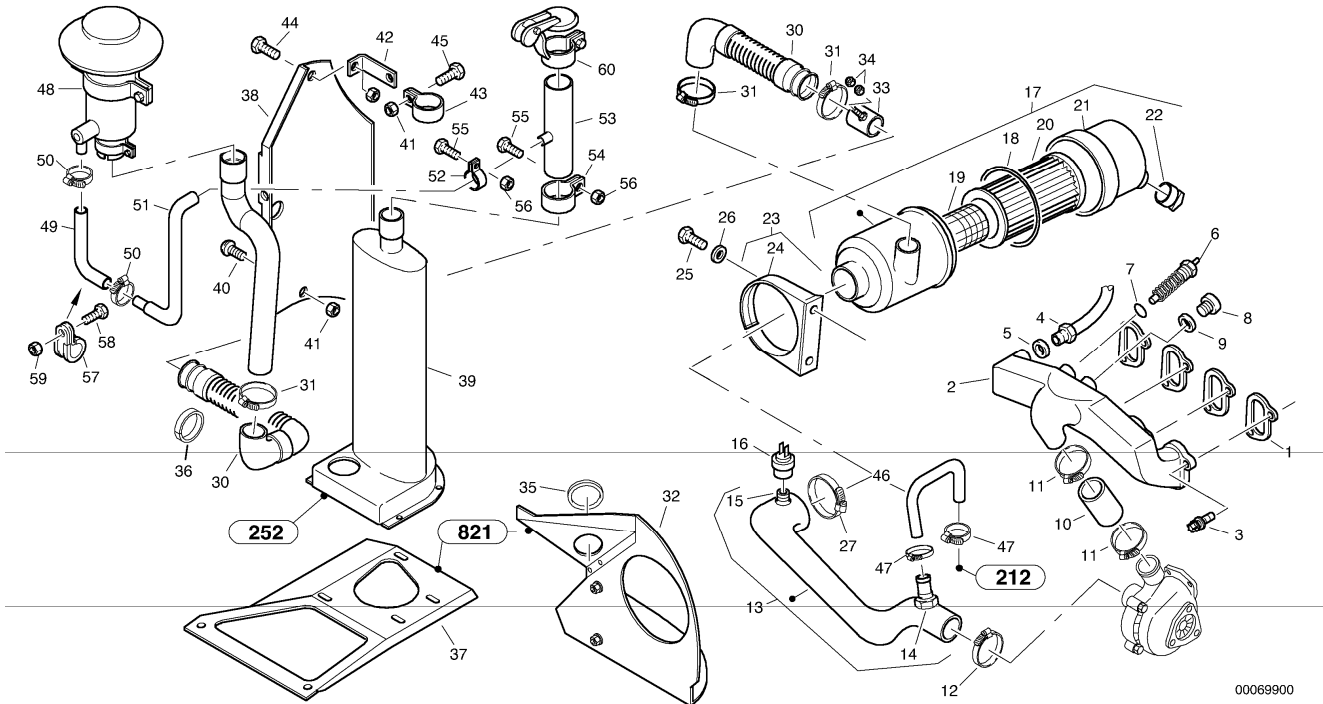


00072600

Pos	Part	Q1	Q2	Q3	Q4	Q5	PS	Kit	Description	Option(s)	Remark
1	ZM2903605	4							Gasket		
2	ZM2905362	1							Suction pipe		
3	VOE3586624	8							Hexagon screw		(ZM2905363)
4	ZM2905386	1							Hose assembly		M10x1
5	ZM7099577	1					SS		Seal		A10x13,5
6	ZM4065780	1							Support		
7	VOE20460026	1							Sealing ring		(ZM7099523)A22x27
8	ZM7099424	1							Screw plug		M22x1,5
9	VOE20460026	1							Sealing ring		(ZM7099523)A22x27
10	ZM4074550	1							Hose connection		
11	ZM4084040	2							Clamp		
12	ZM2060784	1							Clip		AS50-70
13	ZM2817353	1							Suction hose		
14	ZM2815843	1							••Hose kit		
15	ZM2906058	1							••Nipple		
16	ZM2815506	1							Warning switch		
17	ZM2811086	1							Air filter		
18	ZM2907908	1							••Ring		
19	ZM2903850	1							••Insert		
20	ZM2903849	1							••Micro-Top-		

								Cartouche		
21	ZM2907907	1						••Under part		
22	ZM2061390	1						••Dust discharge valve		
23	ZM2804863	1						Retainer		
24	ZM2903851	1						••Spring		
25	VOE14370277	2						Hexagon screw		(ZM7095324)M8x40
26	VOE11305837	2						Washer		(ZM7090940)B 8,4
27	ZM2060785	1						Clip		AS70-90
28	ZM7092960	1						Nut		AL12
29	ZM7092970	1						Ferrule		L12
30	ZM2906244	2					OP	Intake hose		
31	ZM2060785	4						Clip		AS70-90
32	ZM2814234	1						Bulkhead		
33	ZM2814233	1						Pipe		
34	ZM7098010	2						Nut		M8
35	ZM2812123	1						Edge protection		(ZM4417976)L = 300MM
36	ZM4346043	1					SS	Strap		(ZM4346026)
37	ZM2814327	1						Support		
38	ZM2815691	1						Bracket		
39	ZM2814235	1						Sound absorber		
40	ZM2810329	3						Screw		MLF M8x16
41	ZM7098010	3						Nut		M8
42	ZM2814232	1						Holder		
43	ZM7092917	1						Clip		
44	VOE983242	1						Hexagon screw		M8x20
45	VOE983244	1						Hexagon screw		(ZM7095519)M8x30
46	ZM2813363	1						Air vent hose		
47	ZM2060782	2						Clip		AS20-32
48	ZM2811088	1						Pre-cleaner - Turbo II		
49	ZM2908021	1						•Nut		
50	ZM2908012	1						•Cap		
51	ZM2908013	1						•Rod		
52	ZM2908014	1						•Inlet filter		
53	ZM2908015	1						•Housing		
54	ZM2908016	1						•Washer		
55	ZM2908017	1						•Spinner		
56	ZM2908018	4						•Bolt		
57	ZM2908019	1						•Floor		
58	ZM2908020	4						•Distance piece		
59	ZM2908022	1						•Clip		
60	ZM2908023	1						•Ring		

Date: 2013/11/14	Image id: 00069900	Catalogue: 07517	Model: L32B
Brand: Volvo	Serial: 1842201-1842999	Group/Section: 2569/100	Title: Pre-filter with ejector



00069900

Pos	Part	Q1	Q2	Q3	Q4	Q5	PS	Kit	Description	Option(s)	Remark
1	ZM2903605	4							Gasket		
2	ZM2905362	1							Suction pipe		
3	VOE3586624	8							Hexagon screw		(ZM2905363)
4	ZM2905386	1							Hose assembly		M10x1
5	ZM7099577	1					SS		Seal		A10x13,5
6	ZM4065780	1							Support		
7	VOE20460026	1							Sealing ring		(ZM7099523)A22x27
8	ZM7099424	1							Screw plug		M22x1,5
9	VOE20460026	1							Sealing ring		(ZM7099523)A22x27
10	ZM4074550	1							Hose connection		
11	ZM4084040	2							Clamp		
12	ZM2060784	1							Clip		AS50-70
13	ZM2817353	1							Suction hose		
14	ZM2815843	1							••Hose kit		
15	ZM2906058	1							••Nipple		
16	ZM4373200	1					SS		Switch		
17	ZM2811086	1							Air filter		
18	ZM2907908	1							••Ring		
19	ZM2903850	1							••Insert		
20	ZM2903849	1							••Micro-Top-		

								Cartouche		
21	ZM2907907	1						••Under part		
22	ZM2061390	1						••Dust discharge valve		
23	ZM2804863	1						Retainer		
24	ZM2903851	1						••Spring		
25	VOE14370277	2						Hexagon screw		(ZM7095324)M8x40
26	VOE11305837	2						Washer		(ZM7090940)B 8,4
27	ZM2060785	1						Clip		AS70-90
28	ZM7092960	1						Nut		AL12
29	ZM7092970	1						Ferrule		L12
30	ZM2806244	2						Hose		
31	ZM2060785	4						Clip		AS70-90
32	ZM2814234	1						Bulkhead		
33	ZM2814233	1						Pipe		
34	ZM7098010	2						Nut		M8
35	ZM2812123	1						Edge protection		(ZM4417976)L = 300MM
36	ZM4346043	1				SS		Strap		
37	ZM2814327	1						Support		
38	ZM2817331	1						Bracket		
39	ZM2817336	1						Muffler		
40	ZM2810329	3						Screw		MLF M8x16
41	ZM7098010	5						Nut		M8
42	ZM2814232	1						Holder		
43	ZM7092917	1						Clip		
44	VOE983242	1						Hexagon screw		M8x20
45	VOE983244	1						Hexagon screw		(ZM7095519)M8x30
46	ZM2813363	1						Air vent hose		
47	ZM2060782	2						Clip		AS20-32
48	ZM2811082	1						Pre-cleaner		
49	ZM4365992	1						Hose		
50	ZM2060788	2						Hose clip		A-25-40x13
51	ZM2817333	1						Pipe		
52	ZM7092911	1				SS		Pipe clip		30,2
53	ZM4417936	1						Ejector		
54	VOE11306829	1						Clamp		(ZM7092918)70,5
55	VOE983243	1						Hexagon screw		(ZM7095513)M8x25
56	ZM7098010	1						Nut		M8
57	ZM4343093	1				SS		Clamp		D1-28x20
58	VOE13955272	1						Screw		(ZM8095062)M6x20
59	ZM7098000	1						Nut		M6
60	ZM2801754	1						Cap		P27-0535

Thank you so much for reading.
Please click the “Buy Now!”
button below to download the
complete manual.



After you pay.

You can download the most
perfect and complete manual in
the world immediately.

Our support email:

ebooklibonline@outlook.com