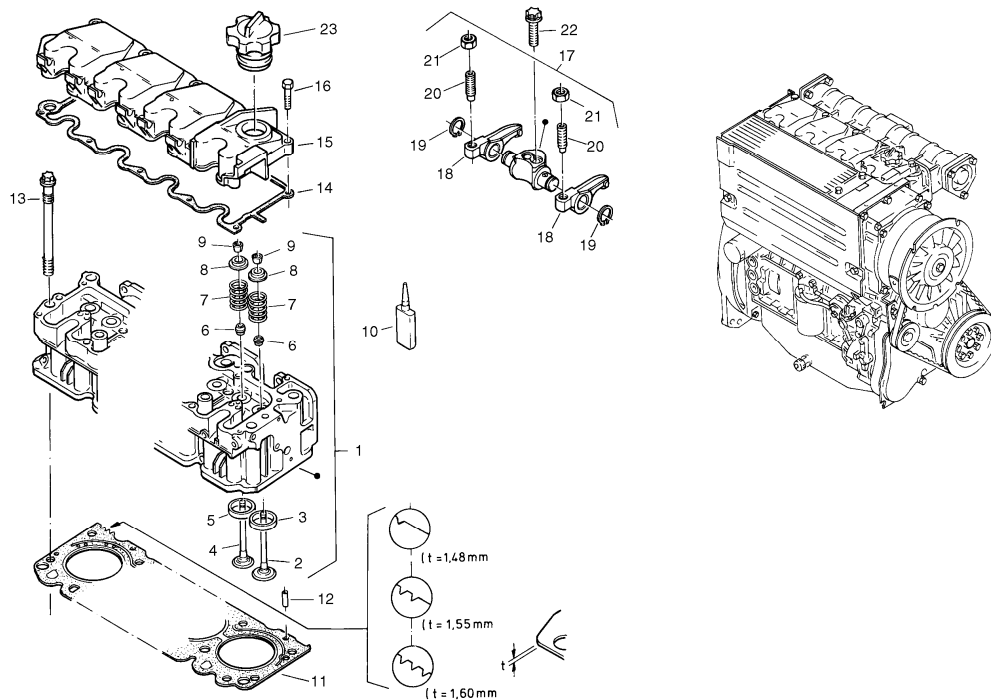


|                            |   |                                  |  |
|----------------------------|---|----------------------------------|--|
| Date:<br><b>2013/11/14</b> | Image id:<br><b>00000091</b>  | Catalogue:<br><b>07502</b>       | Model:<br><b>L35</b>                         |
| Brand:<br><b>Volvo</b>     | Serial:<br><b>1860001-1860461,<br/>1880001-1880045,<br/>1890001-1890073</b> | Group/Section:<br><b>211/100</b> | Title:<br><b>Cylinder head, timing gears</b> |



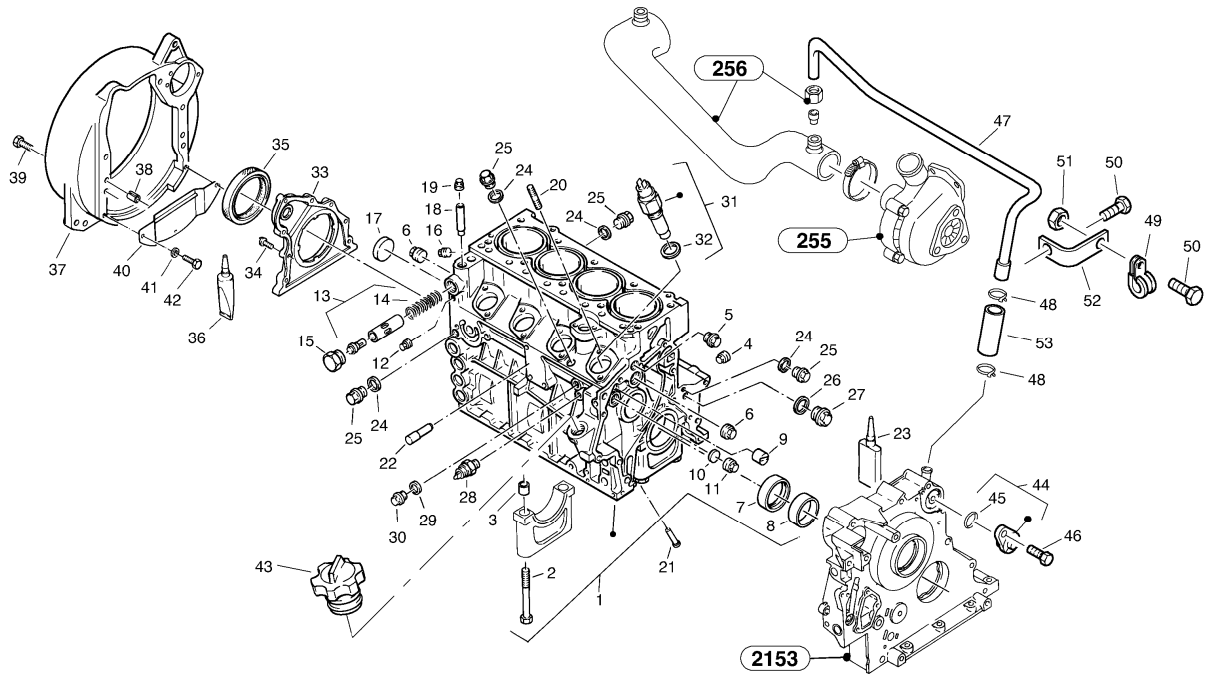
00000091

| Q1-Q5      | Option | Option description |  |
|------------|--------|--------------------|--|
| Q1 1860001 |        |                    |  |
| Q2 1880001 |        |                    |  |

| Pos | Part        | Q1  | Q2  | Q3 | Q4 | Q5 | PS | Kit | Description          | Option(s) | Remark      |
|-----|-------------|-----|-----|----|----|----|----|-----|----------------------|-----------|-------------|
| 1   | ZM2904181   | 1   | 1   |    |    |    |    |     | Cylinder head        |           |             |
| 2   | ZM2904183   | 4   | 4   |    |    |    |    |     | ••Inlet valve        |           | M10x1       |
| 3   | ZM2904089   | 4   | 4   |    |    |    | SS |     | ••Valve seat ring    |           |             |
| 3   | ZM2290534   | REQ | REQ |    |    |    |    |     | ••Valve seat ring    |           | 42,87 mm    |
| 4   | ZM2904090   | 4   | 4   |    |    |    |    |     | ••Exhaust Valve      |           |             |
| 5   | ZM2904182   | 4   | 4   |    |    |    |    |     | ••Valve Seat Ring    |           |             |
| 5   | ZM2290500   | REQ | REQ |    |    |    |    |     | ••Valve seat ring    |           | 37,27 mm    |
| 6   | VOE20459855 | 8   | 8   |    |    |    |    |     | ••Valve seal         |           | (ZM2904368) |
| 7   | ZM2904091   | 8   | 8   |    |    |    |    |     | ••Pressure spring    |           |             |
| 8   | ZM2290505   | 8   | 8   |    |    |    |    |     | ••Spring Disc        |           |             |
| 9   | VOE20459857 | 16  | 16  |    |    |    |    |     | ••Valve sleeve       |           | (ZM2290506) |
| 10  | ZM2903912   | REQ | REQ |    |    |    | OP |     | Locking agent        |           |             |
| 11  | ZM2904094   | REQ | REQ |    |    |    |    |     | Cylinder head gasket |           | 1,48 mm     |

|    |             |     |     |  |  |  |    |  |                      |  |                  |
|----|-------------|-----|-----|--|--|--|----|--|----------------------|--|------------------|
| 11 | ZM2905354   | REQ | REQ |  |  |  |    |  | Cylinder head gasket |  | 1,55 mm          |
| 11 | ZM2905355   | 1   | 1   |  |  |  |    |  | Cylinder head gasket |  | 1,60 mm          |
| 12 | VOE21033924 | 2   | 2   |  |  |  |    |  | Guide pin            |  | (ZM2904093)      |
| 13 | ZM2904092   | 10  | 10  |  |  |  |    |  | Cylinder head screw  |  |                  |
| 14 | ZM2904098   | 1   | 1   |  |  |  |    |  | Gasket               |  |                  |
| 15 | ZM2905356   | 1   | 1   |  |  |  |    |  | Cylinder head cover  |  |                  |
| 16 | VOE11306472 | 10  | 10  |  |  |  |    |  | Hexagon screw        |  | (ZM7095003)M6x30 |
| 17 | ZM2290529   | 4   | 4   |  |  |  |    |  | Valve rocker support |  |                  |
| 18 | ZM2290526   | 2   | 2   |  |  |  |    |  | ••Rocker Arm         |  |                  |
| 19 | ZM7094952   | 2   | 2   |  |  |  |    |  | ••Safety ring        |  | 18x1,2           |
| 20 | ZM2290527   | 2   | 2   |  |  |  |    |  | ••Adjusting screw    |  |                  |
| 21 | VOE11700373 | 2   | 2   |  |  |  |    |  | ••Nut                |  | (ZM2290528)      |
| 22 | ZM2292226   | 8   | 8   |  |  |  | SS |  | Screw                |  |                  |
| 23 | ZM2904064   | 1   | 1   |  |  |  |    |  | Filler cap           |  |                  |

|                            |   |                                  |   |
|----------------------------|---|----------------------------------|---|
| Date:<br><b>2013/11/14</b> | Image id:<br><b>00000084</b>  | Catalogue:<br><b>07502</b>       | Model:<br><b>L35</b>                        |
| Brand:<br><b>Volvo</b>     | Serial:<br><b>1860001-1860461,<br/>1880001-1880045,<br/>1890001-1890073</b> | Group/Section:<br><b>212/100</b> | Title:<br><b>Engine casing, Ventilation</b> |



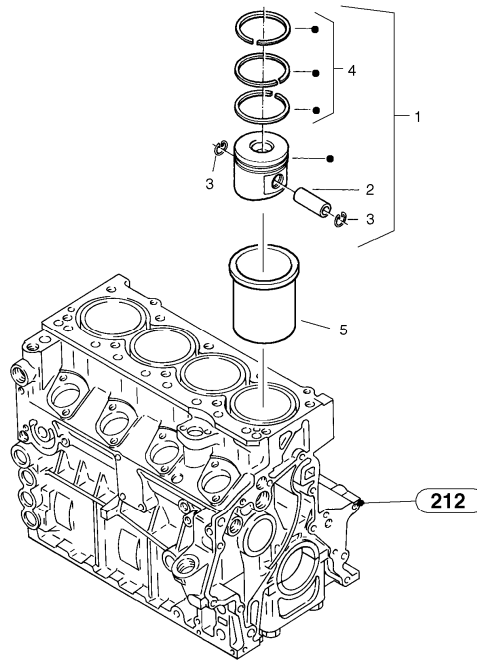
00000084

| Q1-Q5      | Option | Option description |  |
|------------|--------|--------------------|--|
| Q1 1860001 |        |                    |  |
| Q2 1880001 |        |                    |  |

| Pos | Part        | Q1 | Q2 | Q3 | Q4 | Q5 | PS | Kit | Description        | Option(s) | Remark      |
|-----|-------------|----|----|----|----|----|----|-----|--------------------|-----------|-------------|
| 1   | ZM2904194   | 1  | 1  |    |    |    |    |     | Crankcase, cpl.    |           |             |
| 2   | ZM2290540   | 10 | 10 |    |    |    |    |     | ••Hexagon screw    |           |             |
| 3   | ZM4010300   | 10 | 10 |    |    |    |    |     | ••Bushing          |           |             |
| 4   | VOE20860215 | 1  | 1  |    |    |    |    |     | ••Screw            |           | (ZM2905340) |
| 5   | ZM2904050   | 1  | 1  |    |    |    |    |     | ••Screw plug       |           |             |
| 6   | VOE20405717 | 2  | 2  |    |    |    |    |     | ••Plug             |           | (ZM2905341) |
| 7   | ZM2904048   | 2  | 2  |    |    |    |    |     | ••Bearing bush     |           |             |
| 8   | VOE20795762 | 3  | 3  |    |    |    |    |     | ••Bearing Bushing  |           |             |
| 9   | VOE15053296 | 2  | 2  |    |    |    |    |     | ••Guide sleeve     |           | (ZM2290541) |
| 10  | ZM8092104   | 1  | 1  |    |    |    |    |     | ••Hood             |           | 16          |
| 11  | ZM2905346   | 1  | 1  |    |    |    |    |     | ••Screw plug       |           |             |
| 12  | ZM2905343   | 1  | 1  |    |    |    |    |     | ••Screw plug       |           |             |
| 13  | ZM2904169   | 1  | 1  |    |    |    |    |     | ••Thermostat       |           |             |
| 14  | ZM2904053   | 1  | 1  |    |    |    |    |     | •••Pressure spring |           |             |

|    |             |     |     |  |  |  |    |  |                         |  |                     |
|----|-------------|-----|-----|--|--|--|----|--|-------------------------|--|---------------------|
| 15 | ZM2905345   | 1   | 1   |  |  |  |    |  | ••Screw plug            |  |                     |
| 16 | VOE20405718 | 1   | 1   |  |  |  |    |  | ••Plug                  |  | (ZM2905342)         |
| 17 | VOE20882154 | 1   | 1   |  |  |  |    |  | ••Plug                  |  | (ZM7092106)28       |
| 18 | ZM2904051   | 1   | 1   |  |  |  |    |  | ••Tube                  |  |                     |
| 19 | ZM2905344   | 1   | 1   |  |  |  |    |  | ••Screw plug            |  |                     |
| 20 | ZM8097406   | 8   | 8   |  |  |  |    |  | ••Pin screw             |  |                     |
| 21 | ZM2904056   | 8   | 8   |  |  |  |    |  | Piston cooling jet      |  |                     |
| 22 | ZM2904057   | 1   | 1   |  |  |  |    |  | Pin                     |  |                     |
| 23 | ZM2904058   | REQ | REQ |  |  |  |    |  | Locking agent           |  |                     |
| 24 | VOE11700631 | 4   | 4   |  |  |  |    |  | Sealing ring            |  | (ZM7099530)A10x16   |
| 25 | ZM8099416   | 4   | 4   |  |  |  |    |  | Screw plug              |  | M10x1               |
| 26 | VOE13947624 | 1   | 1   |  |  |  |    |  | Plane gasket            |  | (ZM7099511)A18x24   |
| 27 | VOE20405506 | 1   | 1   |  |  |  |    |  | Plug                    |  | (ZM8099415)M18x1,5  |
| 28 | ZM2905379   | 1   | 1   |  |  |  |    |  | Oil pressure switch     |  |                     |
| 29 | VOE13947624 | 1   | 1   |  |  |  |    |  | Plane gasket            |  | (ZM7099511)A18x24   |
| 30 | VOE11305512 | 1   | 1   |  |  |  |    |  | Lock plug               |  | (ZM7099401)AM18x1,5 |
| 31 | ZM2904059   | 1   | 1   |  |  |  |    |  | Temperature transmitter |  |                     |
| 32 | ZM7099503   | 1   | 1   |  |  |  | SS |  | ••Seal                  |  | A14x18              |
| 33 | ZM2292219   | 1   | 1   |  |  |  |    |  | Cover rear              |  |                     |
| 34 | ZM2290455   | 8   | 8   |  |  |  |    |  | Screw                   |  |                     |
| 35 | ZM2292220   | 1   | 1   |  |  |  |    |  | Radial seal             |  |                     |
| 36 | ZM4084070   | REQ | REQ |  |  |  |    |  | Sealant                 |  |                     |
| 37 | ZM2905335   | 1   | 1   |  |  |  |    |  | Intermediate housing    |  |                     |
| 38 | ZM2290547   | 2   | 2   |  |  |  |    |  | Bushing                 |  |                     |
| 39 | VOE11306530 | 4   | 4   |  |  |  |    |  | Hexagon screw           |  | (ZM8096638)M12x35   |
| 40 | ZM2290561   | 1   | 1   |  |  |  |    |  | Cover plate             |  |                     |
| 41 | VOE955892   | 3   | 3   |  |  |  |    |  | Washer                  |  | (ZM7098752)B6,4     |
| 42 | ZM7095067   | 3   | 3   |  |  |  | SS |  | Screw                   |  | M6x10               |
| 43 | ZM2904064   | 1   | 1   |  |  |  |    |  | Filler cap              |  |                     |
| 44 | ZM2904065   | 1   | 1   |  |  |  |    |  | Valve                   |  |                     |
| 45 | ZM2904066   | 1   | 1   |  |  |  |    |  | ••O-ring                |  |                     |
| 46 | ZM7095068   | 1   | 1   |  |  |  |    |  | Screw                   |  | M6x25               |
| 47 | ZM2904170   | 1   | 1   |  |  |  |    |  | Air vent pipe           |  |                     |
| 48 | ZM2904172   | 1   | 1   |  |  |  |    |  | Hose Clamp              |  |                     |
| 49 | ZM2290447   | 2   | 2   |  |  |  |    |  | Clamp                   |  |                     |
| 50 | ZM2292234   | 2   | 2   |  |  |  |    |  | Screw                   |  |                     |
| 51 | ZM7098392   | 1   | 1   |  |  |  |    |  | Nut                     |  | M6                  |
| 51 | ZM7098010   | 1   | 1   |  |  |  |    |  | Nut                     |  | M8                  |
| 52 | ZM2905349   | 1   | 1   |  |  |  |    |  | Retainer                |  |                     |
| 53 | ZM2905348   | 1   | 1   |  |  |  |    |  | Hose                    |  |                     |

|                            |   |                                  |   |
|----------------------------|---|----------------------------------|---|
| Date:<br><b>2013/11/14</b> | Image id:<br><b>0000088</b>   | Catalogue:<br><b>07502</b>       | Model:<br><b>L35</b>                      |
| Brand:<br><b>Volvo</b>     | Serial:<br><b>1860001-1860461,<br/>1880001-1880045,<br/>1890001-1890073</b> | Group/Section:<br><b>213/100</b> | Title:<br><b>Cylinder bush and piston</b> |

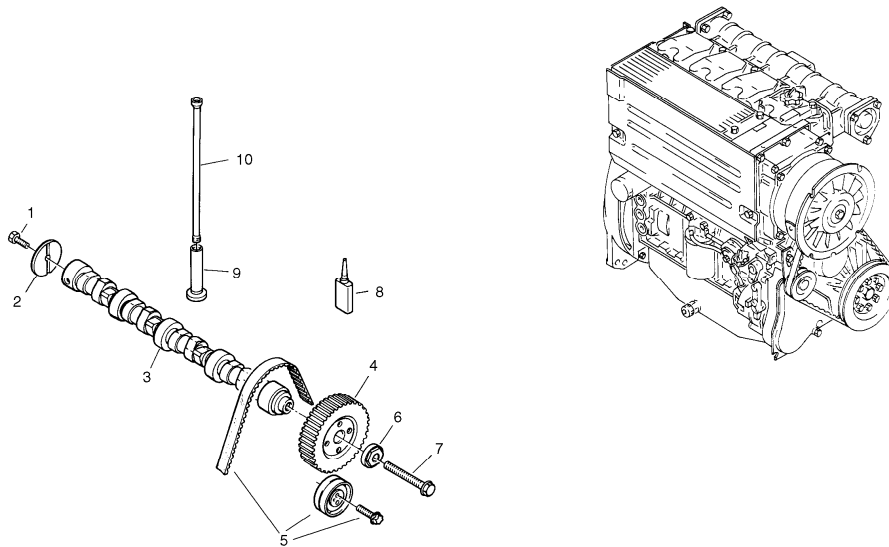


0000088

| Q1-Q5      | Option | Option description |  |
|------------|--------|--------------------|--|
| Q1 1860001 |        |                    |  |
| Q2 1880001 |        |                    |  |

| Pos | Part        | Q1  | Q2  | Q3 | Q4 | Q5 | PS | Kit | Description       | Option(s) | Remark             |
|-----|-------------|-----|-----|----|----|----|----|-----|-------------------|-----------|--------------------|
| 1   | ZM2905352   | 4   | 4   |    |    |    |    |     | Piston, cpl.      |           |                    |
| 2   | VOE11715530 | 1   | 1   |    |    |    |    |     | ••Bolt            |           | (ZM2290442)        |
| 3   | VOE11715531 | 2   | 2   |    |    |    |    |     | ••Retaining ring  |           | (ZM2290443)C30x2,0 |
| 4   | ZM2905353   | 1   | 1   |    |    |    |    |     | ••Piston Ring Kit |           |                    |
| 5   | ZM2905347   | REQ | REQ |    |    |    |    |     | Cylinder liner    |           |                    |

|                            |   |                                  |                           |
|----------------------------|---|----------------------------------|---------------------------|
| Date:<br><b>2013/11/14</b> | Image id:<br><b>0000079</b>   | Catalogue:<br><b>07502</b>       | Model:<br><b>L35</b>      |
| Brand:<br><b>Volvo</b>     | Serial:<br><b>1860001-1860461,<br/>1880001-1880045,<br/>1890001-1890073</b> | Group/Section:<br><b>215/100</b> | Title:<br><b>Camshaft</b> |

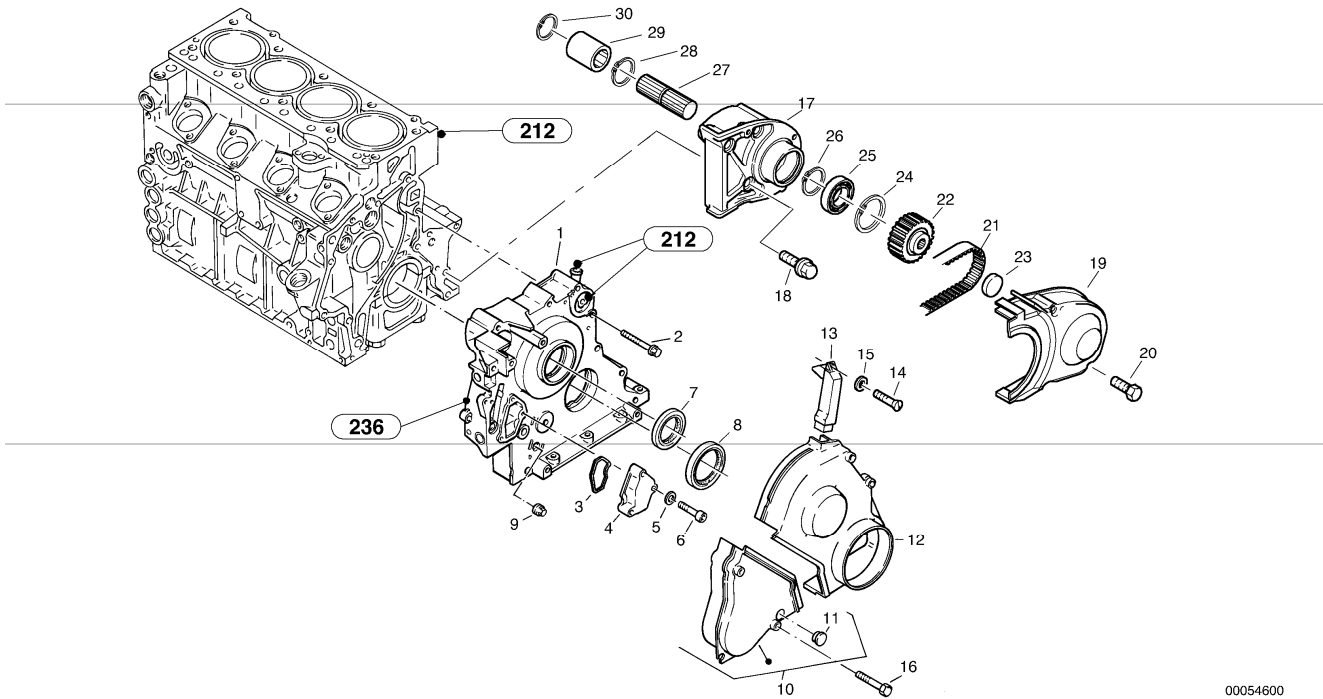


0000079

| Q1-Q5      | Option | Option description |  |
|------------|--------|--------------------|--|
| Q1 1860001 |        |                    |  |
| Q2 1880001 |        |                    |  |

| Pos | Part        | Q1  | Q2  | Q3 | Q4 | Q5 | PS | Kit | Description               | Option(s) | Remark      |
|-----|-------------|-----|-----|----|----|----|----|-----|---------------------------|-----------|-------------|
| 1   | ZM8095503   | 1   | 1   |    |    |    |    |     | Screw                     |           | M8x35       |
| 2   | ZM2290517   | 1   | 1   |    |    |    |    |     | Spacer disc               |           |             |
| 3   | ZM2905357   | 1   | 1   |    |    |    |    |     | Camshaft                  |           |             |
| 4   | ZM2290519   | 1   | 1   |    |    |    |    |     | Toothed belt wheel        |           |             |
| 5   | ZM2904890   | 1   | 1   |    |    |    |    |     | Repair kit (toothed belt) |           |             |
| 6   | ZM2290522   | 1   | 1   |    |    |    |    |     | Washer                    |           |             |
| 7   | VOE20797281 | 1   | 1   |    |    |    |    |     | Hexagon screw             |           | M14x1,5x110 |
| 8   | ZM2903828   | REQ | REQ |    |    |    |    | OP  | Locking agent             |           |             |
| 9   | ZM2904101   | 2   | 2   |    |    |    |    |     | Valve tappet              |           |             |
| 10  | ZM2290524   | 2   | 2   |    |    |    |    |     | Push rod                  |           |             |

|                            |   |                                   |  |
|----------------------------|---|-----------------------------------|--|
| Date:<br><b>2013/11/14</b> | Image id:<br><b>00054600</b>  | Catalogue:<br><b>07502</b>        | Model:<br><b>L35</b>                               |
| Brand:<br><b>Volvo</b>     | Serial:<br><b>1860001-1860461,<br/>1880001-1880045,<br/>1890001-1890073</b> | Group/Section:<br><b>2153/100</b> | Title:<br><b>Timing gear housing (front cover)</b> |



00054600

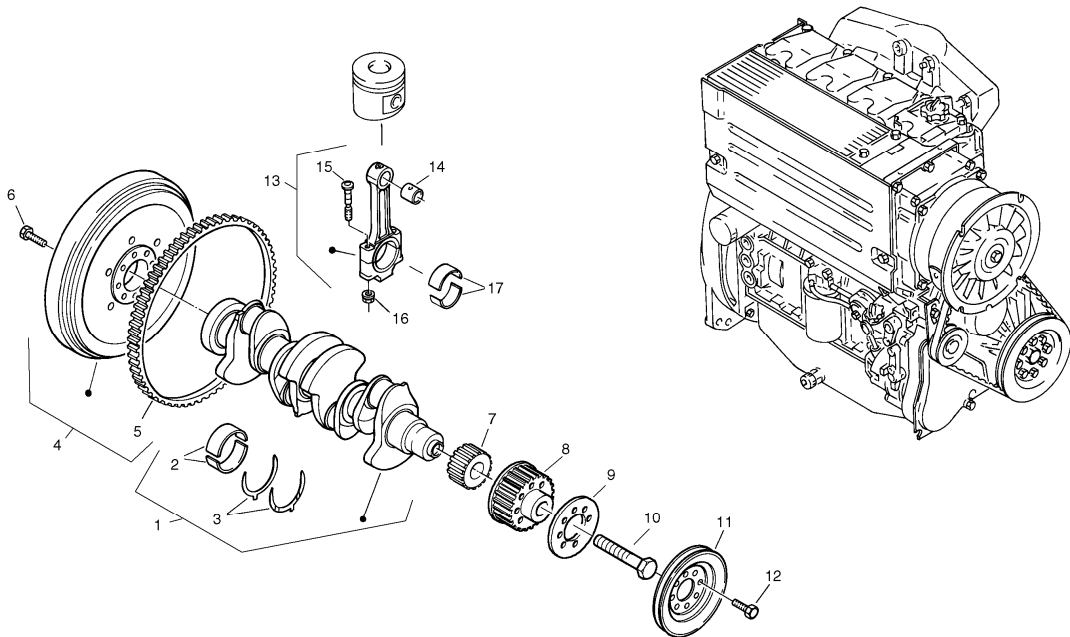
| Q1-Q5      | Option | Option description |  |
|------------|--------|--------------------|--|
| Q1 1860001 |        |                    |  |
| Q2 1880001 |        |                    |  |

| Pos | Part      | Q1 | Q2 | Q3 | Q4 | Q5 | PS | Kit | Description     | Option(s) | Remark          |
|-----|-----------|----|----|----|----|----|----|-----|-----------------|-----------|-----------------|
| 1   | ZM2904069 | 1  | 1  |    |    |    |    |     | Front cover     |           |                 |
| 2   | ZM2904100 | 11 | 11 |    |    |    | SS |     | Screw           |           |                 |
| 3   | ZM2904068 | 1  | 1  |    |    |    |    |     | Profil gasket   |           |                 |
| 4   | ZM2904070 | 1  | 1  |    |    |    |    |     | Cover           |           |                 |
| 5   | VOE955892 | 3  | 3  |    |    |    |    |     | Washer          |           | (ZM7098752)B6,4 |
| 6   | ZM7096552 | 3  | 3  |    |    |    |    |     | Screw           |           | M6x35           |
| 7   | ZM2291470 | 1  | 1  |    |    |    |    |     | Seal            |           |                 |
| 8   | ZM2290458 | 1  | 1  |    |    |    |    |     | Seal            |           |                 |
| 9   | ZM8096511 | 1  | 1  |    |    |    |    |     | Screw plug      |           | M14x1,5         |
| 10  | ZM2905384 | 1  | 1  |    |    |    |    |     | Protective hood |           |                 |
| 11  | ZM2904072 | 1  | 1  |    |    |    |    |     | ••Plug          |           |                 |
| 12  | ZM2290487 | 1  | 1  |    |    |    |    |     | Protective hood |           |                 |
| 13  | ZM2900130 | 1  | 1  |    |    |    | SS |     | Air duct        |           |                 |
| 14  | ZM2900131 | 1  | 1  |    |    |    |    |     | Screw           |           | M4x12           |

|    |           |   |   |  |  |  |  |  |                   |  |                  |
|----|-----------|---|---|--|--|--|--|--|-------------------|--|------------------|
| 15 | VOE955891 | 1 | 1 |  |  |  |  |  | Washer            |  | (ZM7098754)A4,3  |
| 16 | VOE955282 | 4 | 4 |  |  |  |  |  | Hexagon screw     |  | (ZM7095114)M6x70 |
| 17 | ZM2910193 | 1 | 1 |  |  |  |  |  | Conversion kit    |  | (ZM2906900)      |
| 18 | ZM2906901 | 3 | 3 |  |  |  |  |  | Screw             |  |                  |
| 19 | ZM2906902 | 1 | 1 |  |  |  |  |  | Protecting casing |  |                  |
| 20 | ZM7095113 | 2 | 2 |  |  |  |  |  | Screw             |  |                  |
| 21 | ZM2905399 | 1 | 1 |  |  |  |  |  | Toothed belt      |  |                  |
| 22 | ZM2905398 | 1 | 1 |  |  |  |  |  | Pulley            |  |                  |
| 23 | ZM2905397 | 1 | 1 |  |  |  |  |  | Cover             |  |                  |
| 24 | ZM7094944 | 1 | 1 |  |  |  |  |  | Lock Ring         |  | 68x2,5           |
| 25 | ZM2905396 | 1 | 1 |  |  |  |  |  | Bearing           |  |                  |
| 26 | ZM4332271 | 1 | 1 |  |  |  |  |  | Lock Ring         |  |                  |
| 27 | ZM2910193 | 1 | 1 |  |  |  |  |  | Conversion kit    |  | (ZM2905395)      |
| 28 | ZM7094951 | 1 | 1 |  |  |  |  |  | Snap Ring         |  | 16x1             |
| 29 | ZM4076320 | 1 | 1 |  |  |  |  |  | Plate             |  |                  |
| 30 | VOE955970 | 1 | 1 |  |  |  |  |  | Retaining ring    |  | (ZM7094953)14x1  |



|                            |   |                                  |                             |
|----------------------------|---|----------------------------------|-----------------------------|
| Date:<br><b>2013/11/14</b> | Image id:<br><b>00000126</b>  | Catalogue:<br><b>07502</b>       | Model:<br><b>L35</b>        |
| Brand:<br><b>Volvo</b>     | Serial:<br><b>1860001-1860461,<br/>1880001-1880045,<br/>1890001-1890073</b> | Group/Section:<br><b>216/100</b> | Title:<br><b>Crankshaft</b> |



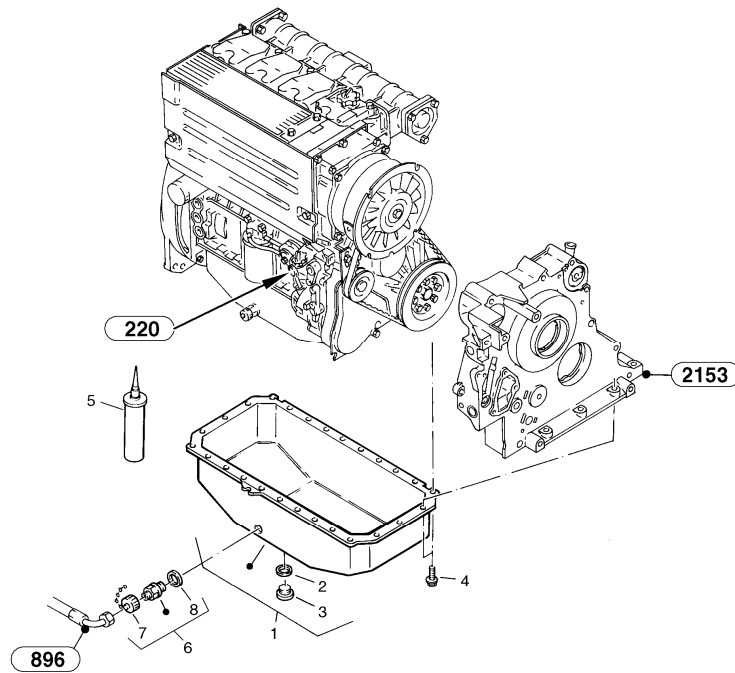
00000126

| Q1-Q5      | Option | Option description |  |
|------------|--------|--------------------|--|
| Q1 1860001 |        |                    |  |
| Q2 1880001 |        |                    |  |

| Pos | Part        | Q1  | Q2  | Q3 | Q4 | Q5 | PS | Kit | Description          | Option(s) | Remark   |
|-----|-------------|-----|-----|----|----|----|----|-----|----------------------|-----------|----------|
| 1   | ZM2905351   | 1   | 1   |    |    |    |    |     | Crankshaft           |           |          |
| 2   | ZM2290402   | REQ | REQ |    |    |    |    |     | ••Crankshaft bearing |           | 69,50 mm |
| 2   | ZM2900539   | REQ | REQ |    |    |    |    |     | ••Crankshaft bearing |           | 69,75 mm |
| 2   | ZM2290400   | 5   | 5   |    |    |    |    |     | ••Crankshaft bearing |           | 70,00 mm |
| 3   | VOE20944762 | 1   | 1   |    |    |    |    |     | ••Thrust Washer      |           | 2,40 mm  |
| 3   | VOE20944769 | REQ | REQ |    |    |    |    |     | ••Thrust Washer      |           | 2,60 mm  |
| 4   | ZM2904103   | 1   | 1   |    |    |    | SS |     | Fly wheel            |           |          |
| 5   | ZM2904104   | 1   | 1   |    |    |    |    |     | ••Gear ring          |           |          |
| 6   | ZM2290407   | 8   | 8   |    |    |    |    |     | Screw                |           |          |
| 7   | ZM2290408   | 1   | 1   |    |    |    |    |     | Toothed belt wheel   |           |          |
| 8   | ZM2290409   | 1   | 1   |    |    |    |    |     | Toothed belt wheel   |           |          |
| 9   | ZM2290410   | 1   | 1   |    |    |    |    |     | Intermediate piece   |           |          |

|    |           |     |     |  |  |  |  |  |                 |  |                  |
|----|-----------|-----|-----|--|--|--|--|--|-----------------|--|------------------|
| 10 | ZM2290411 | 1   | 1   |  |  |  |  |  | Screw           |  |                  |
| 11 | ZM2905385 | 1   | 1   |  |  |  |  |  | V-belt pulley   |  |                  |
| 12 | ZM2908482 | 8   | 8   |  |  |  |  |  | Screw           |  | (ZM2900545)      |
| 13 | ZM2904174 | 4   | 4   |  |  |  |  |  | Connecting rod  |  |                  |
| 14 | ZM2290431 | 1   | 1   |  |  |  |  |  | ••Bushing       |  | 33,07 - 33,11 mm |
| 14 | ZM2900544 | REQ | REQ |  |  |  |  |  | ••Bushing       |  | 33,32 - 33,36 mm |
| 15 | ZM2904106 | 2   | 2   |  |  |  |  |  | ••Screw         |  |                  |
| 16 | ZM2290415 | 2   | 2   |  |  |  |  |  | ••Nut           |  |                  |
| 17 | ZM2900543 | REQ | REQ |  |  |  |  |  | Big end bearing |  | 54,50 mm         |
| 17 | ZM2900542 | REQ | REQ |  |  |  |  |  | Big end bearing |  | 54,75 mm         |
| 17 | ZM2290432 | 4   | 4   |  |  |  |  |  | Big end bearing |  | 55,00 mm         |

|                            |   |                                  |                           |
|----------------------------|---|----------------------------------|---------------------------|
| Date:<br><b>2013/11/14</b> | Image id:<br><b>0000089</b>   | Catalogue:<br><b>07502</b>       | Model:<br><b>L35</b>      |
| Brand:<br><b>Volvo</b>     | Serial:<br><b>1860001-1860461,<br/>1880001-1880045,<br/>1890001-1890073</b> | Group/Section:<br><b>217/100</b> | Title:<br><b>Oil sump</b> |

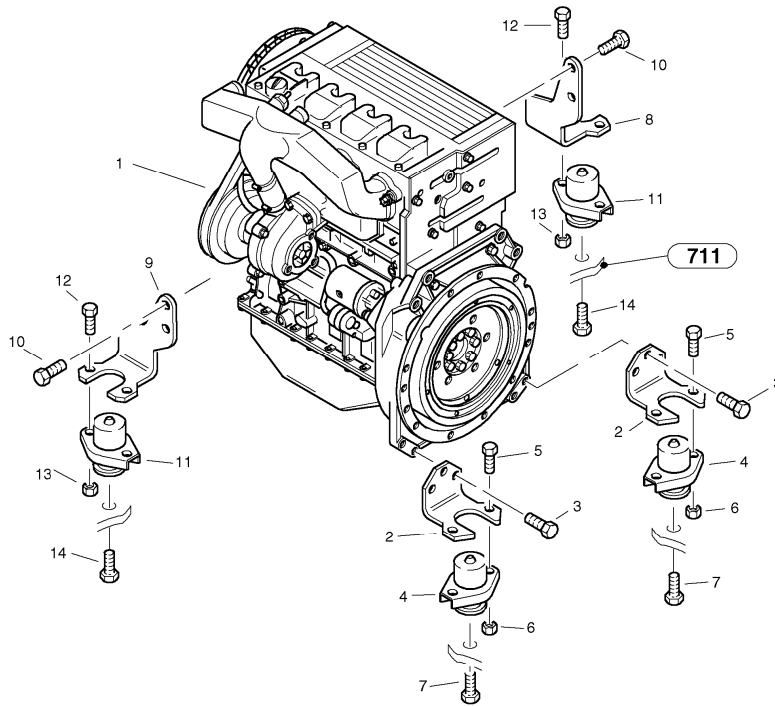


0000089

| Q1-Q5      | Option | Option description |  |
|------------|--------|--------------------|--|
| Q1 1860001 |        |                    |  |
| Q2 1880001 |        |                    |  |

| Pos | Part        | Q1  | Q2  | Q3 | Q4 | Q5 | PS | Kit | Description      | Option(s) | Remark            |
|-----|-------------|-----|-----|----|----|----|----|-----|------------------|-----------|-------------------|
| 1   | ZM2904060   | 1   | 1   |    |    |    |    |     | Oil pan          |           |                   |
| 2   | VOE13947624 | 1   | 1   |    |    |    |    |     | ••Plane gasket   |           | (ZM7099511)A18x24 |
| 3   | ZM7099428   | 1   | 1   |    |    |    |    |     | ••Screw plug     |           | M18x1,5           |
| 4   | ZM2292234   | 26  | 26  |    |    |    |    |     | Screw            |           |                   |
| 5   | ZM2903926   | REQ | REQ |    |    |    |    |     | Sealing compound |           | (ZM2905350)       |
| 6   | ZM4384256   | 1   | 1   |    |    |    |    |     | Valve            |           |                   |
| 7   | ZM2285689   | 1   | 1   |    |    |    |    |     | ••Chain with cap |           |                   |
| 8   | ZM7099518   | 1   | 1   |    |    |    |    |     | ••Seal           |           | C18x24            |

|                            |   |                                  |                              |
|----------------------------|---|----------------------------------|------------------------------|
| Date:<br><b>2013/11/14</b> | Image id:<br><b>00000085</b>  | Catalogue:<br><b>07502</b>       | Model:<br><b>L35</b>         |
| Brand:<br><b>Volvo</b>     | Serial:<br><b>1860001-1860461,<br/>1880001-1880045,<br/>1890001-1890073</b> | Group/Section:<br><b>218/100</b> | Title:<br><b>Engine assy</b> |



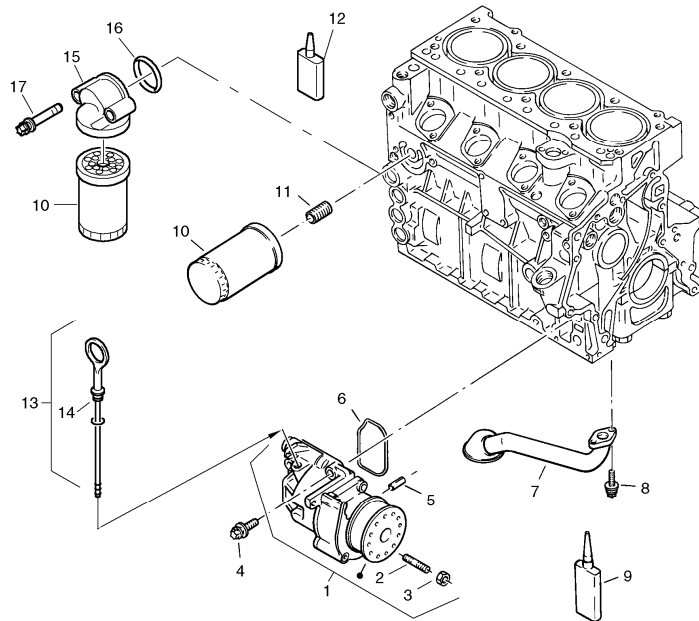
00000085

| Q1-Q5      | Option | Option description |  |
|------------|--------|--------------------|--|
| Q1 1860001 |        |                    |  |
| Q2 1880001 |        |                    |  |
| Q3 1890001 |        |                    |  |

| Pos | Part        | Q1 | Q2 | Q3 | Q4 | Q5 | PS | Kit | Description   | Option(s) | Remark  |
|-----|-------------|----|----|----|----|----|----|-----|---------------|-----------|---|
| 1   | ZM2807622   | 1  | 1  | 1  |    |    |    |     | Engine, cpl.  |           | -1860361/-1880031/<br>-1890045                |
| 1   | ZM2814030   | 1  | 1  | 1  |    |    |    |     | Engine, cpl.  |           | (ZM2814008)<br>1860362-/1880032-/<br>1890046- |
| 2   | ZM2807295   | 2  | 2  | 2  |    |    |    |     | Retainer      |           |   |
| 3   | ZM4326456   | 2  | 2  | 2  |    |    | SS |     | Screw         |           | M14x30  |
| 4   | VOE11306533 | 2  | 2  | 2  |    |    |    |     | Buffer        |           | (ZM4381063)                                   |
| 5   | VOE983252   | 4  | 4  | 4  |    |    |    |     | Hexagon screw |           | (ZM8095900)                                   |
| 6   | VOE983304   | 4  | 4  | 4  |    |    |    |     | Hexagon nut   |           | (ZM8098001)M10                                |
| 7   | VOE978932   | 2  | 2  | 2  |    |    |    |     | Hexagon screw |           | (ZM8096639)M12x30                             |
| 8   | ZM2810650   | 1  | 1  | 1  |    |    |    |     | Retainer      |           |   |
| 9   | ZM2810649   | 1  | 1  | 1  |    |    |    |     | Retainer      |           |   |
| 10  | ZM4326456   | 4  | 4  | 4  |    |    | SS |     | Screw         |           | M14x30  |

|    |             |   |   |   |  |  |  |  |               |  |                   |
|----|-------------|---|---|---|--|--|--|--|---------------|--|-------------------|
| 11 | VOE11306533 | 2 | 2 | 2 |  |  |  |  | Buffer        |  | (ZM4381063)       |
| 12 | VOE983252   | 4 | 4 | 4 |  |  |  |  | Hexagon screw |  | (ZM8095900)       |
| 13 | VOE983304   | 4 | 4 | 4 |  |  |  |  | Hexagon nut   |  | (ZM8098001)M10    |
| 14 | VOE978932   | 2 | 2 | 4 |  |  |  |  | Hexagon screw |  | (ZM8096639)M12x30 |

|                            |   |                                  |                                       |
|----------------------------|---|----------------------------------|---------------------------------------|
| Date:<br><b>2013/11/14</b> | Image id:<br><b>00005801</b>  | Catalogue:<br><b>07502</b>       | Model:<br><b>L35</b>                  |
| Brand:<br><b>Volvo</b>     | Serial:<br><b>1860001-1860461,<br/>1880001-1880045,<br/>1890001-1890073</b> | Group/Section:<br><b>220/100</b> | Title:<br><b>Oil pump, oil filter</b> |



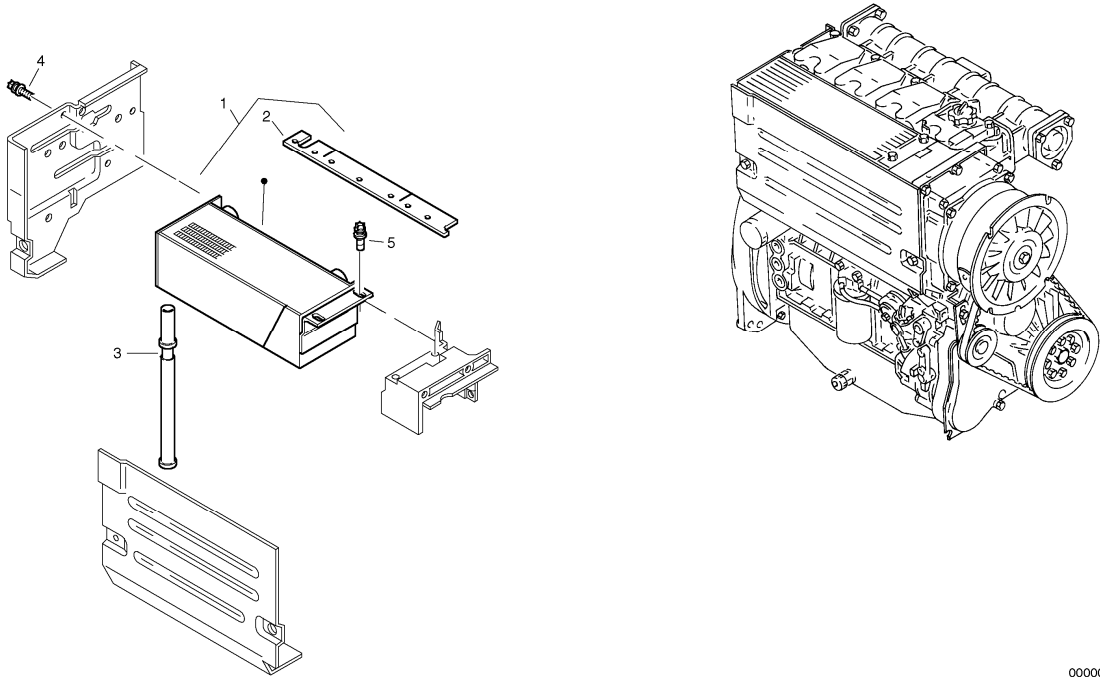
00005801

| Q1-Q5      | Option | Option description |  |
|------------|--------|--------------------|--|
| Q1 1860001 |        |                    |  |
| Q2 1880001 |        |                    |  |
| Q3 1890001 |        |                    |  |

| Pos | Part        | Q1  | Q2  | Q3  | Q4 | Q5 | PS | Kit | Description       | Option(s) | Remark                         |
|-----|-------------|-----|-----|-----|----|----|----|-----|-------------------|-----------|--------------------------------|
| 1   | VOE11715526 | 1   | 1   | 1   |    |    |    |     | Oil pump          |           | (ZM2904116)                    |
| 2   | ZM2290460   | 1   | 1   | 1   |    |    | SS |     | ••Bearing spindle |           | M6x40                          |
| 3   | ZM7098000   | 1   | 1   | 1   |    |    |    |     | ••Nut             |           | M6                             |
| 4   | ZM2904117   | 4   | 4   | 4   |    |    |    |     | Screw             |           |                                |
| 5   | ZM2904118   | 2   | 2   | 2   |    |    |    |     | Clamping pin      |           |                                |
| 6   | ZM2904119   | 1   | 1   | 1   |    |    |    |     | Gasket            |           |                                |
| 7   | VOE11715751 | 1   | 1   | 1   |    |    |    |     | Oil pipe          |           | (ZM2904124)                    |
| 8   | ZM2904040   | 2   | 2   | 2   |    |    | SS |     | Screw             |           |                                |
| 9   | ZM2903828   | REQ | REQ | REQ |    |    | OP |     | Locking agent     |           |                                |
| 10  | ZM2904941   | 1   | 1   | 1   |    |    |    |     | Oil filter        |           |                                |
| 11  | ZM2290250   | 1   | 1   | 1   |    |    |    |     | Bushing           |           | -1860361/-1880031/<br>-1890045 |
| 12  | VOE20464471 | REQ | REQ | REQ |    |    |    |     | Locking fluid     |           | (ZM2903718)                    |
| 13  | ZM2905170   | 1   | 1   | 1   |    |    |    |     | Oil dipstick      |           |                                |

|    |           |   |   |   |  |  |  |  |          |  |                               |
|----|-----------|---|---|---|--|--|--|--|----------|--|-------------------------------|
| 14 | ZM2905171 | 1 | 1 | 1 |  |  |  |  | ••O-ring |  |                               |
| 15 | ZM2907622 | 1 | 1 | 1 |  |  |  |  | Bracket  |  | 1860362-/1880032-<br>1890046- |
| 16 | ZM2907372 | 1 | 1 | 1 |  |  |  |  | O-ring   |  | 1860362-/1880032-<br>1890046- |
| 17 | ZM2291482 | 2 | 2 | 2 |  |  |  |  | Screw    |  | 1860362-/1880032-<br>1890046- |

|                            |   |                                  |                                      |
|----------------------------|---|----------------------------------|--------------------------------------|
| Date:<br><b>2013/11/14</b> | Image id:<br><b>0000059</b>   | Catalogue:<br><b>07502</b>       | Model:<br><b>L35</b>                 |
| Brand:<br><b>Volvo</b>     | Serial:<br><b>1860001-1860461,<br/>1880001-1880045,<br/>1890001-1890073</b> | Group/Section:<br><b>223/100</b> | Title:<br><b>Engine - oil cooler</b> |



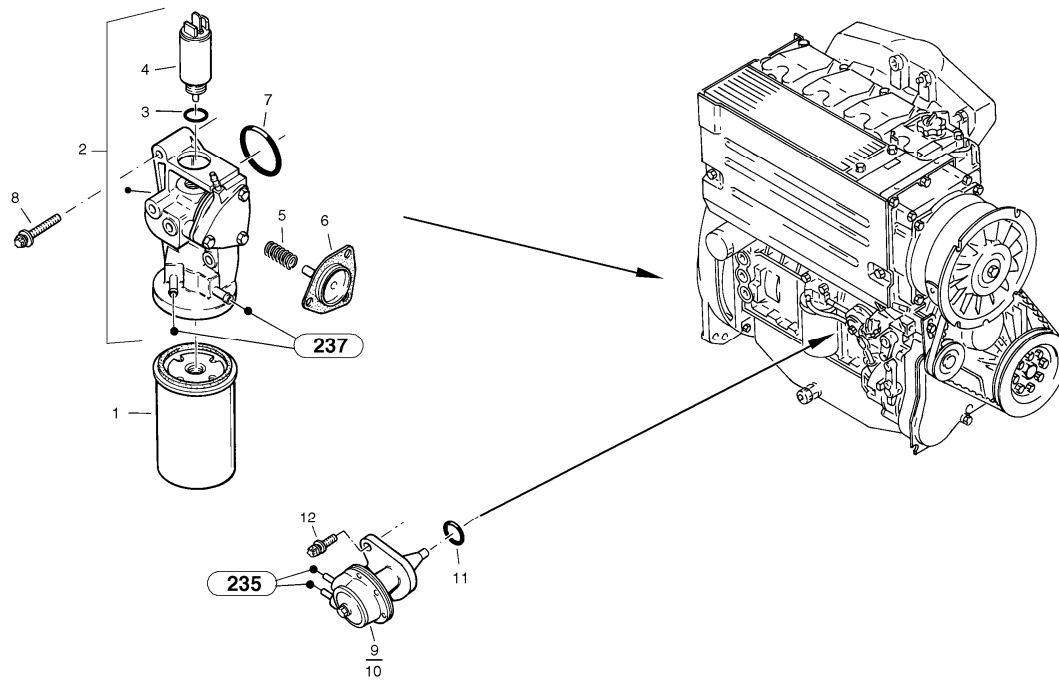
0000059

| Q1-Q5      | Option | Option description |  |
|------------|--------|--------------------|--|
| Q1 1860001 |        |                    |  |
| Q2 1880001 |        |                    |  |

| Pos | Part      | Q1 | Q2 | Q3 | Q4 | Q5 | PS | Kit | Description     | Option(s) | Remark      |
|-----|-----------|----|----|----|----|----|----|-----|-----------------|-----------|-------------|
| 1   | ZM2905358 | 1  | 1  |    |    |    | SS |     | Oil cooler      |           |             |
| 2   | ZM2905359 | 1  | 1  |    |    |    |    |     | ••Sealing strip |           |             |
| 3   | ZM2904123 | 2  | 2  |    |    |    |    |     | Insert pipe     |           |             |
| 4   | ZM2904121 | 2  | 2  |    |    |    |    |     | Screw           |           |             |
| 5   | ZM2901217 | 2  | 2  |    |    |    |    |     | Screw           |           | (ZM2904122) |



|                            |   |                                  |  |
|----------------------------|---|----------------------------------|--|
| Date:<br><b>2013/11/14</b> | Image id:<br><b>00000106</b>  | Catalogue:<br><b>07502</b>       | Model:<br><b>L35</b>                     |
| Brand:<br><b>Volvo</b>     | Serial:<br><b>1860001-1860461,<br/>1880001-1880045,<br/>1890001-1890073</b> | Group/Section:<br><b>233/100</b> | Title:<br><b>Fuel filter - Feed pump</b> |

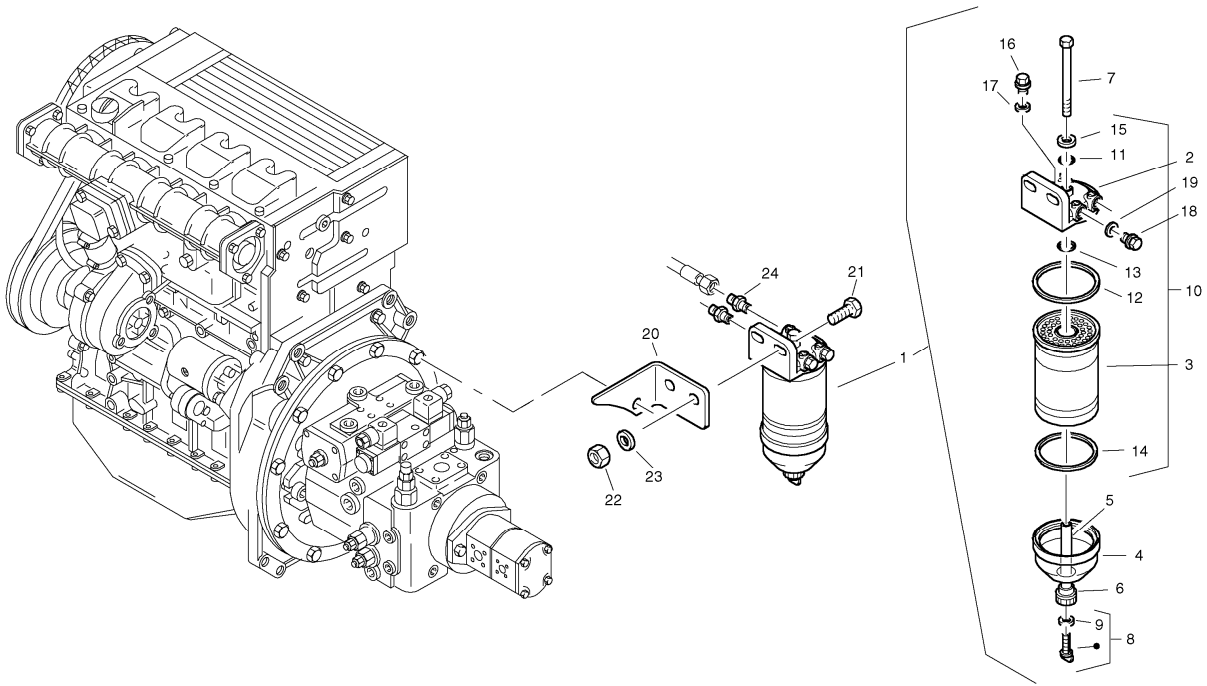


00000106

| Q1-Q5      | Option | Option description |  |
|------------|--------|--------------------|--|
| Q1 1860001 |        |                    |  |
| Q2 1880001 |        |                    |  |

| Pos | Part        | Q1 | Q2 | Q3 | Q4 | Q5 | PS | Kit | Description        | Option(s) | Remark      |
|-----|-------------|----|----|----|----|----|----|-----|--------------------|-----------|-------------|
| 1   | ZM2905303   | 1  | 1  |    |    |    |    |     | Filter             |           |             |
| 2   | ZM2905387   | 1  | 1  |    |    |    |    |     | Fuel load stop     |           |             |
| 3   | ZM2904200   | 1  | 1  |    |    |    |    |     | ••O-ring           |           |             |
| 4   | VOE15185105 | 1  | 1  |    |    |    |    |     | ••Solenoid         |           | (ZM2905388) |
| 5   | ZM2904199   | 1  | 1  |    |    |    |    |     | ••Thrust Spring    |           |             |
| 6   | ZM2904198   | 1  | 1  |    |    |    | OP |     | ••Diaphragm holder |           | (ZM2905389) |
| 7   | ZM2904201   | 1  | 1  |    |    |    |    |     | O-ring             |           |             |
| 8   | ZM2291482   | 3  | 3  |    |    |    |    |     | Screw              |           |             |
| 9   | ZM2904380   | 1  | 1  |    |    |    |    |     | Feed pump          |           |             |
| 10  | ZM2904381   | 1  | 1  |    |    |    |    |     | Repair kit         |           |             |
| 11  | ZM2290370   | 1  | 1  |    |    |    |    |     | O-ring             |           |             |
| 12  | ZM2904137   | 2  | 2  |    |    |    |    |     | Screw              |           |             |

|                            |   |                                    |   |
|----------------------------|---|------------------------------------|---|
| Date:<br><b>2013/11/14</b> | Image id:<br><b>00000041</b>  | Catalogue:<br><b>07502</b>         | Model:<br><b>L35</b>                      |
| Brand:<br><b>Volvo</b>     | Serial:<br><b>1860001-1860461,<br/>1880001-1880045,<br/>1890001-1890073</b> | Group/Section:<br><b>23341/100</b> | Title:<br><b>Filter - Water separator</b> |



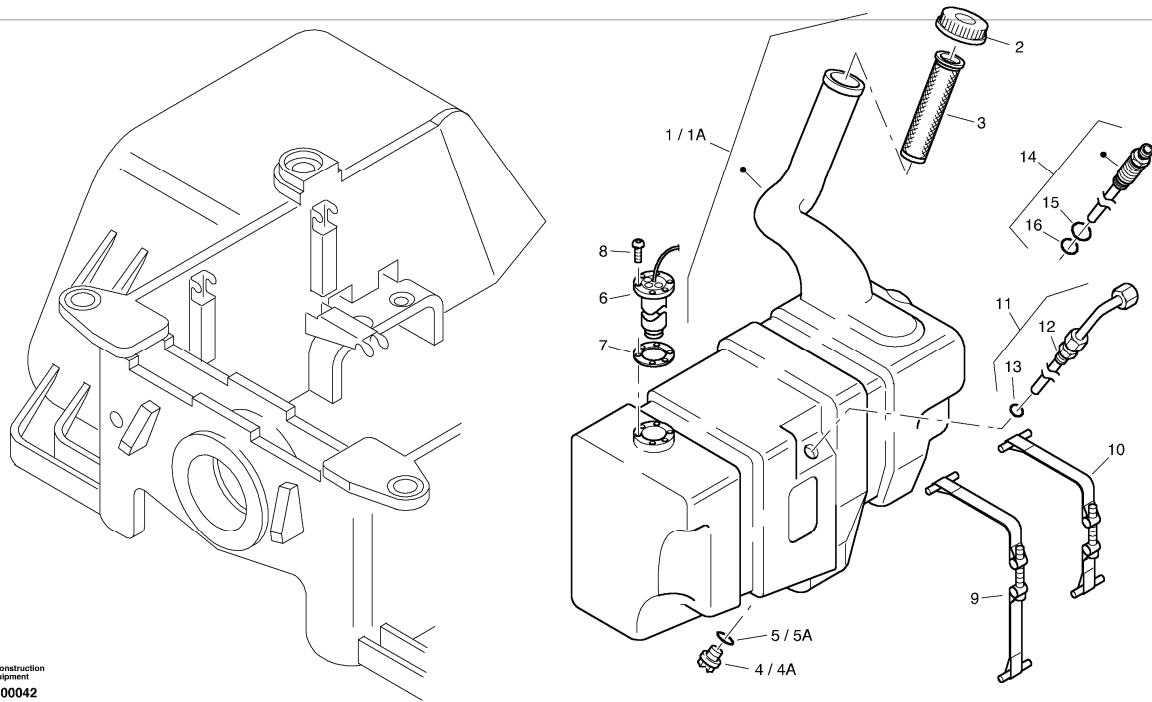
00000041

| Q1-Q5      | Option | Option description |  |
|------------|--------|--------------------|--|
| Q1 1860001 |        |                    |  |
| Q2 1880001 |        |                    |  |

| Pos | Part       | Q1 | Q2 | Q3 | Q4 | Q5 | PS | Kit | Description          | Option(s) | Remark      |
|-----|------------|----|----|----|----|----|----|-----|----------------------|-----------|-------------|
| 1   | ZM2807872  | 1  | 1  |    |    |    |    |     | Fuel filter          |           |             |
| 2   | ZM2905307  | 1  | 1  |    |    |    | SS |     | ••Filter head        |           |             |
| 3   | ZM2905298  | 1  | 1  |    |    |    |    |     | ••Filter cartridge   |           |             |
| 4   | ZM2905299  | 1  | 1  |    |    |    |    |     | ••Sight glass        |           |             |
| 5   | ZM2905300  | 1  | 1  |    |    |    |    |     | ••Knurled head screw |           |             |
| 6   | VOE7242081 | 1  | 1  |    |    |    |    |     | ••Washer             |           | (ZM2905301) |
| 7   | ZM2905302  | 1  | 1  |    |    |    |    |     | ••Screw              |           |             |
| 8   | VOE242595  | 1  | 1  |    |    |    |    |     | ••Plug               |           | (ZM2905304) |
| 9   | VOE7242081 | 1  | 1  |    |    |    |    |     | •••Washer            |           | (ZM2905305) |
| 10  | ZM2905306  | 1  | 1  |    |    |    |    |     | ••Gasket set, cpl.   |           |             |
| 11  | ZM2905308  | 1  | 1  |    |    |    |    |     | •••O-ring            |           |             |
| 12  | ZM2905309  | 1  |    |    |    |    |    |     | •••Gasket            |           |             |
| 13  | ZM2905310  | 1  | 1  |    |    |    |    |     | •••O-ring            |           |             |
| 14  | ZM2905311  | 1  | 1  |    |    |    |    |     | •••Gasket            |           |             |

|    |           |   |   |  |  |  |    |  |               |  |                   |
|----|-----------|---|---|--|--|--|----|--|---------------|--|-------------------|
| 15 | ZM2905312 | 1 | 1 |  |  |  |    |  | •••Washer     |  |                   |
| 16 | ZM2905313 | 1 | 1 |  |  |  |    |  | ••Screw       |  |                   |
| 17 | ZM2164940 | 1 | 1 |  |  |  |    |  | ••Seal        |  | A10x14            |
| 18 | ZM7099404 | 2 | 2 |  |  |  |    |  | ••Lock Plug   |  | AM14x1,5          |
| 19 | ZM2905314 | 2 | 2 |  |  |  |    |  | ••Seal        |  |                   |
| 20 | ZM2816411 | 1 | 1 |  |  |  |    |  | Retainer      |  |                   |
| 21 | VOE983251 | 2 | 2 |  |  |  |    |  | Hexagon screw |  | (ZM7094813)M10x25 |
| 22 | VOE983304 | 2 | 2 |  |  |  |    |  | Hexagon nut   |  | (ZM8098001)M10    |
| 23 | VOE960148 | 2 | 2 |  |  |  |    |  | Washer        |  | (ZM7098741)B10,5  |
| 24 | ZM7091974 | 2 | 2 |  |  |  | SS |  | Nipple        |  | L10MB             |

|                            |   |                                  |                            |
|----------------------------|---|----------------------------------|----------------------------|
| Date:<br><b>2013/11/14</b> | Image id:<br><b>00000042</b>  | Catalogue:<br><b>07502</b>       | Model:<br><b>L35</b>       |
| Brand:<br><b>Volvo</b>     | Serial:<br><b>1860001-1860461,<br/>1880001-1880045,<br/>1890001-1890073</b> | Group/Section:<br><b>234/100</b> | Title:<br><b>Fuel tank</b> |



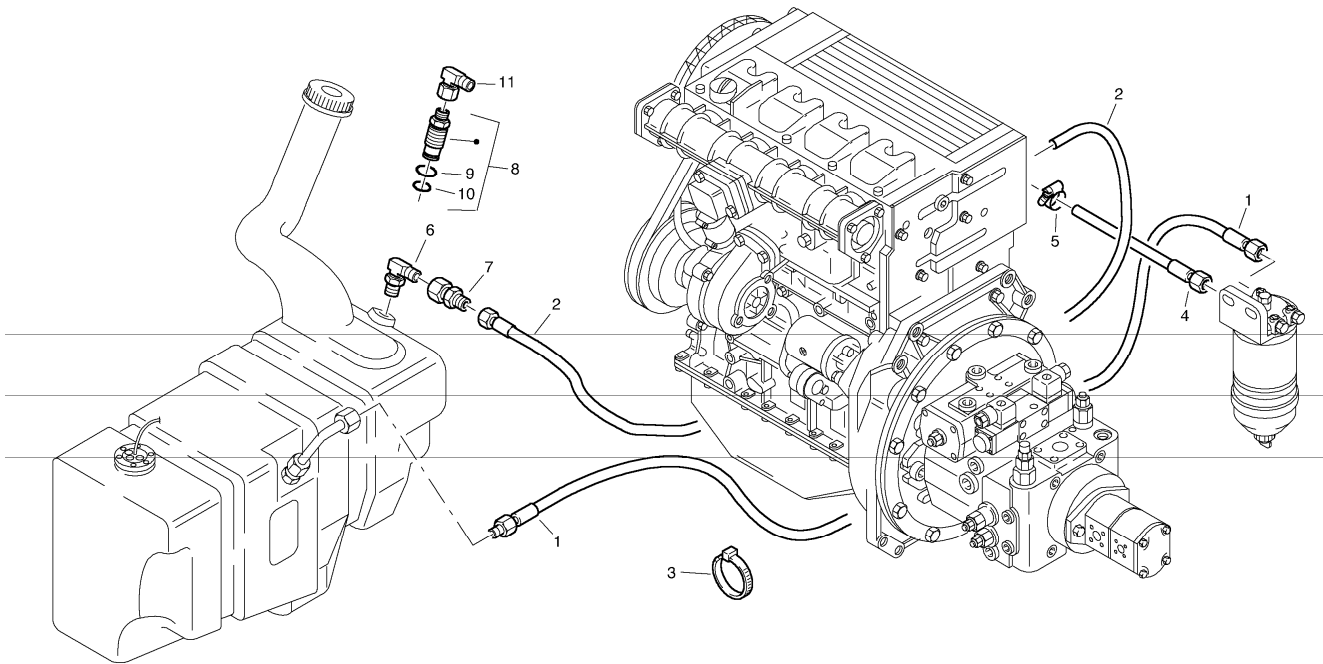
Volvo Construction  
Equipment  
00000042

| Q1-Q5      | Option | Option description |  |
|------------|--------|--------------------|--|
| Q1 1860001 |        |                    |  |
| Q2 1880001 |        |                    |  |
| Q3 1890001 |        |                    |  |

| Pos | Part        | Q1 | Q2 | Q3 | Q4 | Q5 | PS | Kit | Description       | Option(s) | Remark                                  |
|-----|-------------|----|----|----|----|----|----|-----|-------------------|-----------|---|
| 1   | VOE11370525 | 1  | 1  | 1  |    |    |    |     | Conversion kit    |           | -1862629, -1882261,<br>-1892350,        |
| 1A  | VOE11306084 | 1  | 1  | 1  |    |    |    |     | Fuel reservoir    |           | 1862630-, 1882262-,<br>1892351-,        |
| 2   | ZM2804113   | 1  | 1  | 1  |    |    |    |     | •Filler cap       |           |   |
| 3   | ZM2804112   | 1  | 1  | 1  |    |    |    |     | •Fuel strainer    |           |   |
| 4   | ZM2807633   | 1  | 1  | 1  |    |    |    |     | •Plug             |           | -1860319/-1880024/<br>-1890033          |
| 4A  | ZM7099428   | 1  | 1  | 1  |    |    |    |     | •Screw plug       |           | M18x1,5, 1860320-/<br>1880025-/1890034- |
| 5   | ZM4380412   | 1  | 1  | 1  |    |    |    |     | •O-ring           |           | 17x2,5, -1860319/<br>-1880024/-1890033  |
| 5A  | ZM1086268   | 1  | 1  | 1  |    |    |    |     | •O-ring           |           | 16x3, 1860320-/<br>1880025-/1890033-    |
| 6   | ZM2805649   | 1  | 1  | 1  |    |    |    |     | Fuel level sensor |           |   |

|    |             |   |   |   |  |  |  |  |              |  |                                  |
|----|-------------|---|---|---|--|--|--|--|--------------|--|----------------------------------|
| 7  | ZM2906069   | 1 | 1 | 1 |  |  |  |  | •Gasket      |  |                                  |
| 8  | VOE11305438 | 6 | 6 | 6 |  |  |  |  | Screw        |  | (ZM7096666)M4x12                 |
| 9  | ZM2811413   | 1 | 1 | 1 |  |  |  |  | Clamp        |  |                                  |
| 10 | ZM2811414   | 1 | 1 | 1 |  |  |  |  | Clamp        |  |                                  |
| 11 | VOE15622108 | 1 | 1 | 1 |  |  |  |  | Suction pipe |  | (ZM2811730)                      |
| 12 | ZM2811249   | 1 | 1 | 1 |  |  |  |  | •Pipe end    |  |                                  |
| 13 | ZM2906070   | 1 | 1 | 1 |  |  |  |  | •O-ring      |  | 13,4x2,1                         |
| 14 | VOE11306081 | 1 | 1 | 1 |  |  |  |  | Suction pipe |  | 1862630-, 1882262-,<br>1892351-, |
| 15 | VOE11370540 | 1 | 1 | 1 |  |  |  |  | •O-ring      |  | 22x5,5                           |
| 16 | VOE11370541 | 1 | 1 | 1 |  |  |  |  | •O-ring      |  | 14x5                             |

|                            |   |                                  |                             |
|----------------------------|---|----------------------------------|-----------------------------|
| Date:<br><b>2013/11/14</b> | Image id:<br><b>00000043</b>  | Catalogue:<br><b>07502</b>       | Model:<br><b>L35</b>        |
| Brand:<br><b>Volvo</b>     | Serial:<br><b>1860001-1860461,<br/>1880001-1880045,<br/>1890001-1890073</b> | Group/Section:<br><b>235/100</b> | Title:<br><b>Fuel pipes</b> |



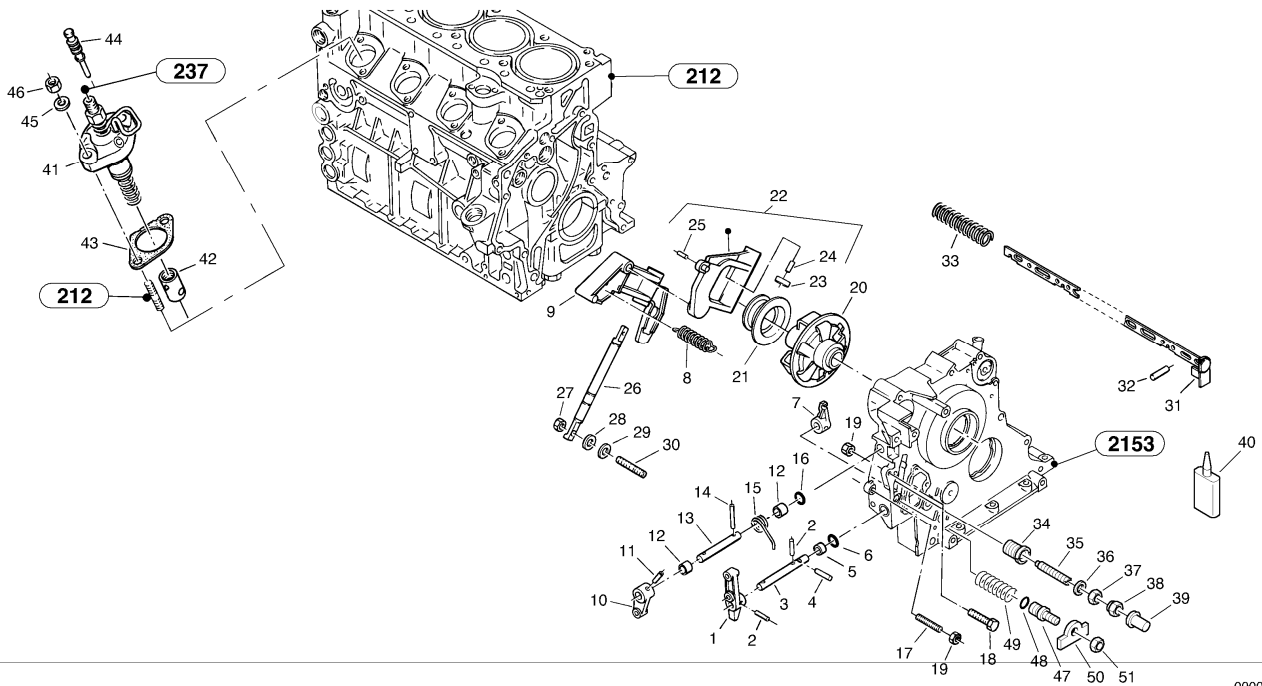
Volvo Construction  
Equipment  
00000043

| Q1-Q5      | Option | Option description |  |
|------------|--------|--------------------|--|
| Q1 1860001 |        |                    |  |
| Q2 1880001 |        |                    |  |
| Q3 1890001 |        |                    |  |

| Pos | Part        | Q1 | Q2 | Q3 | Q4 | Q5 | PS | Kit | Description  | Option(s) | Remark                                      |
|-----|-------------|----|----|----|----|----|----|-----|--------------|-----------|---|
| 1   | ZM2811482   | 1  | 1  | 1  |    |    |    |     | Fuel hose    |           |   |
| 2   | ZM2811484   | 1  | 1  | 1  |    |    |    |     | Fuel hose    |           |   |
| 3   | ZM2193590   | 2  | 2  | 2  |    |    |    |     | Cable clip   |           |   |
| 4   | ZM2811483   | 1  | 1  | 1  |    |    |    |     | Fuel hose    |           |   |
| 5   | ZM2060781   | 1  | 1  | 1  |    |    |    |     | Clip         |           | 12x9  |
| 6   | ZM2800658   | 1  | 1  | 1  |    |    |    |     | Fitting      |           | -1862629, -1882261,<br>-1892350,            |
| 7   | VOE11307078 | 1  | 1  | 1  |    |    |    |     | Fitting      |           | (ZM7091432)-1862629,<br>-1882261, -1892350, |
| 8   | VOE11306079 | 1  | 1  | 1  |    |    |    |     | Fitting      |           | 1862630-, 1882262-,<br>1892351-,            |
| 9   | VOE11370540 | 1  | 1  | 1  |    |    |    |     | •O-ring      |           | 22x5,5                                      |
| 10  | VOE11370541 | 1  | 1  | 1  |    |    |    |     | •O-ring      |           | 14x5  |
| 11  | VOE13945357 | 1  | 1  | 1  |    |    |    |     | Elbow nipple |           | 1862630-, 1882262-,                         |



|                            |   |                                  |   |
|----------------------------|---|----------------------------------|---|
| Date:<br><b>2013/11/14</b> | Image id:<br><b>00000080</b>  | Catalogue:<br><b>07502</b>       | Model:<br><b>L35</b>                                    |
| Brand:<br><b>Volvo</b>     | Serial:<br><b>1860001-1860461,<br/>1880001-1880045,<br/>1890001-1890073</b> | Group/Section:<br><b>236/100</b> | Title:<br><b>Speed adjustment - Fuel injection pump</b> |



00000080

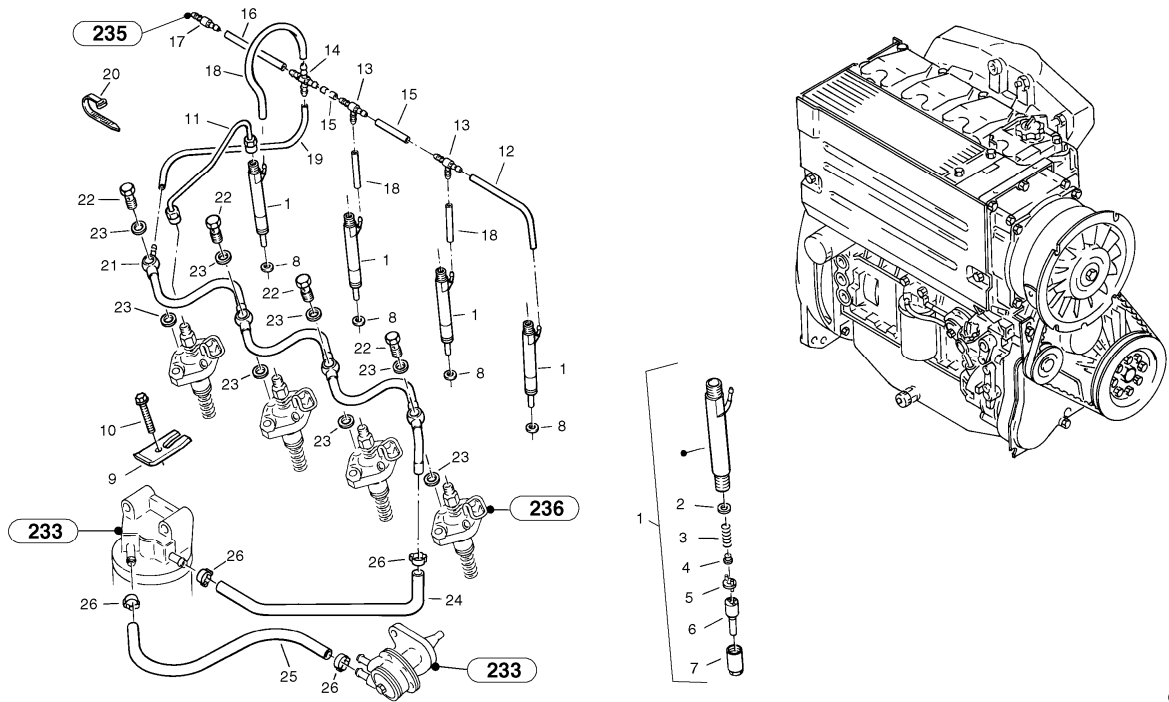
| Q1-Q5      | Option | Option description |  |
|------------|--------|--------------------|--|
| Q1 1860001 |        |                    |  |
| Q2 1880001 |        |                    |  |

| Pos | Part        | Q1 | Q2 | Q3 | Q4 | Q5 | PS | Kit | Description           | Option(s) | Remark      |
|-----|-------------|----|----|----|----|----|----|-----|-----------------------|-----------|-------------|
| 1   | ZM2904077   | 1  | 1  |    |    |    |    |     | Lever                 |           |             |
| 2   | ZM7099461   | 2  | 2  |    |    |    |    |     | Clamping pin          |           | 5x20        |
| 3   | ZM2291460   | 1  | 1  |    |    |    |    |     | Regulator lever shaft |           |             |
| 4   | ZM2292257   | 1  | 1  |    |    |    |    |     | Bolt                  |           |             |
| 5   | ZM2292251   | 1  | 1  |    |    |    |    |     | Sleeve                |           |             |
| 6   | ZM2291459   | 1  | 1  |    |    |    |    |     | O-ring                |           | (ZM2904075) |
| 7   | ZM2900507   | 1  | 1  |    |    |    |    |     | Lever                 |           |             |
| 8   | VOE11715758 | 1  | 1  |    |    |    | SS |     | Tension spring        |           | (ZM2905368) |
| 9   | VOE11370648 | 1  | 1  |    |    |    |    |     | Hand lever            |           | (ZM2904078) |
| 10  | ZM2290482   | 1  | 1  |    |    |    |    |     | Stop lever            |           |             |
| 11  | ZM7099461   | 1  | 1  |    |    |    |    |     | Clamping pin          |           | 5x20        |
| 12  | ZM2292251   | 2  | 2  |    |    |    |    |     | Sleeve                |           |             |
| 13  | ZM2292255   | 1  | 1  |    |    |    |    |     | Lever shaft           |           |             |
| 14  | ZM2291481   | 1  | 1  |    |    |    |    |     | Pin                   |           | 5x45        |



|    |             |     |     |  |  |  |  |    |                      |  |                    |
|----|-------------|-----|-----|--|--|--|--|----|----------------------|--|--------------------|
| 15 | ZM2291464   | 1   | 1   |  |  |  |  |    | Torsion spring       |  |                    |
| 16 | ZM2291459   | 1   | 1   |  |  |  |  |    | O-ring               |  | (ZM2904075)        |
| 17 | VOE15051912 | 1   | 1   |  |  |  |  |    | Set screw            |  | (ZM2291466)M6x50   |
| 18 | ZM7095068   | 1   | 1   |  |  |  |  |    | Screw                |  | M6x25              |
| 19 | ZM7098000   | 2   | 2   |  |  |  |  |    | Nut                  |  | M6                 |
| 20 | VOE11370251 | 1   | 1   |  |  |  |  |    | Centrifugal governor |  | (ZM2904074)        |
| 21 | ZM2904079   | 1   | 1   |  |  |  |  |    | Sleeve               |  |                    |
| 22 | ZM2904076   | 1   | 1   |  |  |  |  | SS | Roller lever         |  |                    |
| 23 | ZM2904081   | 2   | 2   |  |  |  |  |    | ••Ball bearing       |  | 608-2Z             |
| 24 | VOE11715759 | 2   | 2   |  |  |  |  |    | ••Bolt               |  | (ZM2904082)A8K6x20 |
| 25 | ZM2904083   | 1   | 1   |  |  |  |  |    | ••Pin                |  | A4x8               |
| 26 | ZM2904080   | 1   | 1   |  |  |  |  |    | Axle                 |  |                    |
| 27 | ZM7098000   | 2   | 2   |  |  |  |  |    | Nut                  |  | M6                 |
| 28 | ZM2291467   | 2   | 2   |  |  |  |  |    | Washer               |  |                    |
| 29 | ZM2291465   | 2   | 2   |  |  |  |  |    | Washer               |  |                    |
| 30 | VOE11370223 | 2   | 2   |  |  |  |  |    | Stud                 |  | (ZM2291463)M6x12   |
| 31 | ZM2904084   | 1   | 1   |  |  |  |  |    | Control rod          |  |                    |
| 32 | ZM2904085   | 1   | 1   |  |  |  |  |    | Fixed pin            |  |                    |
| 33 | ZM2290471   | 1   | 1   |  |  |  |  |    | Pressure spring      |  |                    |
| 34 | ZM2290459   | 1   | 1   |  |  |  |  |    | Tappet bush          |  |                    |
| 35 | ZM2290460   | 1   | 1   |  |  |  |  | SS | Bearing spindle      |  | M6x40              |
| 36 | ZM2290461   | 1   | 1   |  |  |  |  |    | Sealing ring         |  |                    |
| 37 | ZM7098000   | 1   | 1   |  |  |  |  |    | Nut                  |  | M6                 |
| 38 | ZM2290462   | 1   | 1   |  |  |  |  |    | Nut                  |  |                    |
| 39 | ZM2290463   | 1   | 1   |  |  |  |  | OP | Protec. cap          |  |                    |
| 40 | VOE20464471 | REQ | REQ |  |  |  |  |    | Locking fluid        |  | (ZM2903718)        |
| 41 | ZM2904379   | 4   | 4   |  |  |  |  |    | Injection Pump       |  |                    |
| 42 | ZM2901356   | 4   | 4   |  |  |  |  |    | Roller tappet        |  |                    |
| 43 | ZM2904128   | 4   | 4   |  |  |  |  |    | Balancer gasket      |  | 0,4 mm             |
| 43 | ZM2904129   | REQ | REQ |  |  |  |  |    | Balancer gasket      |  | 0,5 mm             |
| 43 | ZM2904130   | REQ | REQ |  |  |  |  |    | Balancer gasket      |  | 0,6 mm             |
| 43 | ZM2904131   | REQ | REQ |  |  |  |  |    | Balancer gasket      |  | 0,7 mm             |
| 43 | ZM2904132   | REQ | REQ |  |  |  |  |    | Balancer gasket      |  | 0,8 mm             |
| 43 | ZM2904133   | REQ | REQ |  |  |  |  |    | Balancer gasket      |  | 0,9 mm             |
| 43 | ZM2904134   | REQ | REQ |  |  |  |  |    | Balancer gasket      |  | 1,0 mm             |
| 44 | ZM2904135   | 4   | 4   |  |  |  |  |    | Plug                 |  |                    |
| 45 | VOE20405802 | 8   | 8   |  |  |  |  |    | Washer               |  | (ZM4072470)        |
| 46 | ZM7098010   | 8   | 8   |  |  |  |  |    | Nut                  |  | M8                 |
| 47 | ZM2905364   | 1   | 1   |  |  |  |  | SS | Case                 |  |                    |
| 48 | ZM2905365   | 1   | 1   |  |  |  |  |    | O-ring               |  |                    |
| 49 | ZM2905367   | 1   | 1   |  |  |  |  |    | Pressure spring      |  |                    |
| 50 | ZM2905366   | 1   | 1   |  |  |  |  |    | Washer               |  |                    |
| 51 | ZM7098392   | 1   | 1   |  |  |  |  |    | Nut                  |  | M6                 |

|                            |   |                                  |   |
|----------------------------|---|----------------------------------|---|
| Date:<br><b>2013/11/14</b> | Image id:<br><b>0000095</b>   | Catalogue:<br><b>07502</b>       | Model:<br><b>L35</b>                              |
| Brand:<br><b>Volvo</b>     | Serial:<br><b>1860001-1860461,<br/>1880001-1880045,<br/>1890001-1890073</b> | Group/Section:<br><b>237/100</b> | Title:<br><b>Injection pipes, Injection valve</b> |



0000095

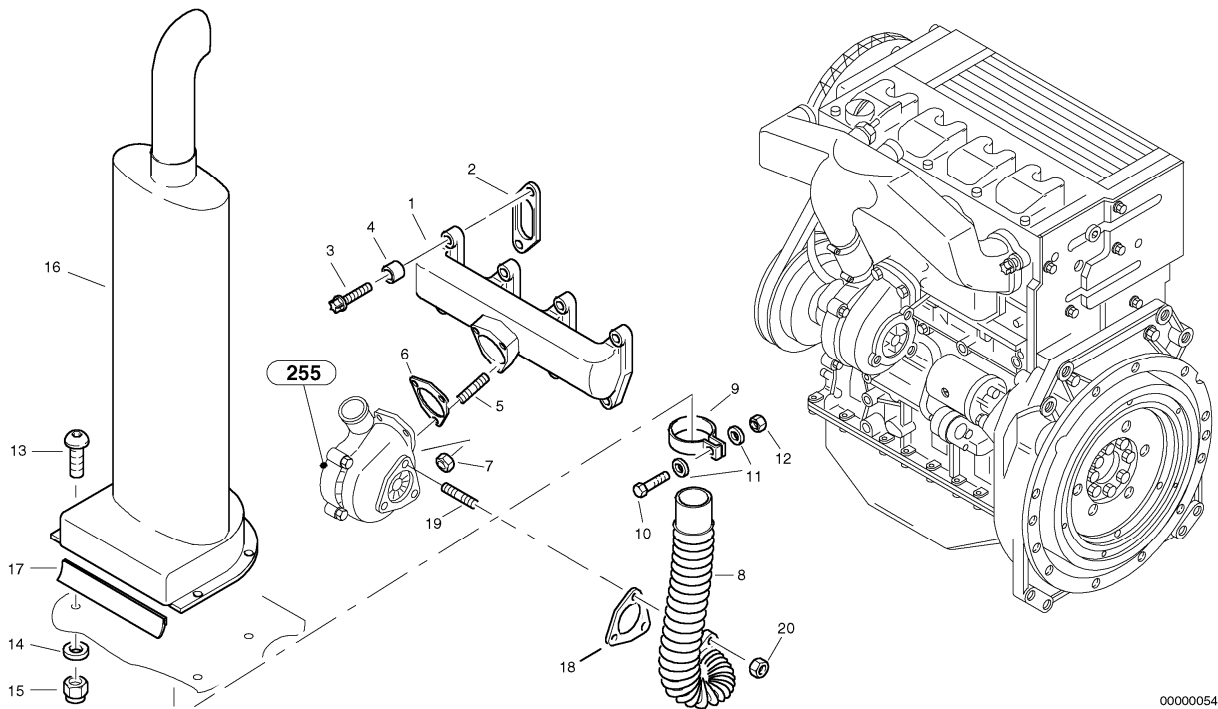
| Q1-Q5      | Option | Option description |  |
|------------|--------|--------------------|--|
| Q1 1860001 |        |                    |  |
| Q2 1880001 |        |                    |  |

| Pos | Part        | Q1  | Q2  | Q3 | Q4 | Q5 | PS | Kit | Description     | Option(s) | Remark             |
|-----|-------------|-----|-----|----|----|----|----|-----|-----------------|-----------|--------------------|
| 1   | ZM2904138   | 4   | 4   |    |    |    |    |     | Injection valve |           |                    |
| 2   | VOE11705716 | 1   | 1   |    |    |    |    |     | ••Shim          |           | (ZM2901179)1,00 mm |
| 2   | ZM2901180   | REQ | REQ |    |    |    |    |     | ••Spacer        |           | 1,04 mm            |
| 2   | VOE11705718 | REQ | REQ |    |    |    |    |     | ••Shim          |           | (ZM2901181)1,08 mm |
| 2   | ZM2901182   | REQ | REQ |    |    |    |    |     | ••Spacer        |           | 1,10 mm            |
| 2   | ZM2901183   | REQ | REQ |    |    |    |    |     | ••Spacer        |           | 1,14 mm            |
| 2   | ZM2901184   | REQ | REQ |    |    |    |    |     | ••Spacer        |           | 1,18 mm            |
| 2   | VOE11705722 | REQ | REQ |    |    |    |    |     | ••Shim          |           | (ZM2901185)1,20 mm |
| 2   | ZM2904144   | REQ | REQ |    |    |    |    |     | ••Spacer        |           | 1,22 mm            |
| 2   | ZM2901186   | REQ | REQ |    |    |    |    |     | ••Spacer        |           | 1,24 mm            |
| 2   | ZM2901187   | REQ | REQ |    |    |    |    |     | ••Spacer        |           | 1,28 mm            |
| 2   | ZM2901188   | REQ | REQ |    |    |    |    |     | ••Spacer        |           | 1,30 mm            |
| 2   | VOE11705726 | REQ | REQ |    |    |    |    |     | ••Shim          |           | (ZM2901189)1,34 mm |
| 2   | ZM2901190   | REQ | REQ |    |    |    |    |     | ••Spacer        |           | 1,38 mm            |

|    |             |     |     |  |  |  |    |                   |  |                               |
|----|-------------|-----|-----|--|--|--|----|-------------------|--|-------------------------------|
| 2  | ZM2901191   | REQ | REQ |  |  |  |    | ••Spacer          |  | 1,40 mm                       |
| 2  | ZM2901192   | REQ | REQ |  |  |  |    | ••Spacer          |  | 1,44 mm                       |
| 2  | ZM2901193   | REQ | REQ |  |  |  |    | ••Spacer          |  | 1,48 mm                       |
| 2  | ZM2901194   | REQ | REQ |  |  |  |    | ••Spacer          |  | 1,50 mm                       |
| 2  | ZM2901195   | REQ | REQ |  |  |  |    | ••Spacer          |  | 1,54 mm                       |
| 2  | ZM2901196   | REQ | REQ |  |  |  |    | ••Spacer          |  | 1,58 mm                       |
| 2  | ZM2901197   | REQ | REQ |  |  |  |    | ••Spacer          |  | 1,60 mm                       |
| 2  | ZM2901198   | REQ | REQ |  |  |  |    | ••Spacer          |  | 1,64 mm                       |
| 2  | ZM2901199   | REQ | REQ |  |  |  |    | ••Spacer          |  | 1,68 mm                       |
| 2  | VOE11705737 | REQ | REQ |  |  |  |    | ••Shim            |  | (ZM2901200)1,70 mm            |
| 2  | ZM2901201   | REQ | REQ |  |  |  |    | ••Spacer          |  | 1,74 mm                       |
| 2  | ZM2901202   | REQ | REQ |  |  |  |    | ••Spacer          |  | 1,78 mm                       |
| 2  | ZM2901203   | REQ | REQ |  |  |  |    | ••Spacer          |  | 1,80 mm                       |
| 2  | VOE11705741 | REQ | REQ |  |  |  |    | ••Shim            |  | (ZM2901204)1,84 mm            |
| 2  | ZM2901205   | REQ | REQ |  |  |  |    | ••Spacer          |  | 1,88 mm                       |
| 2  | VOE11705743 | REQ | REQ |  |  |  |    | ••Shim            |  | (ZM2901206)1,90 mm            |
| 2  | ZM2901207   | REQ | REQ |  |  |  |    | ••Spacer          |  | 1,94 mm                       |
| 2  | VOE11700462 | REQ | REQ |  |  |  |    | ••Shim            |  | (ZM2901208)1,98 mm            |
| 3  | ZM2904141   | 1   | 1   |  |  |  |    | ••Pressure spring |  |                               |
| 4  | VOE20405525 | 1   | 1   |  |  |  |    | ••Bolt            |  |                               |
| 5  | VOE11700430 | 1   | 1   |  |  |  |    | ••Washer          |  | (ZM2904142)                   |
| 6  | ZM2904140   | 1   | 1   |  |  |  |    | ••Nozzle element  |  |                               |
| 7  | ZM2904143   | 1   | 1   |  |  |  |    | ••Clamping nut    |  |                               |
| 8  | VOE11700426 | 4   | 4   |  |  |  |    | Sealing ring      |  | (ZM2290392)                   |
| 9  | ZM2904139   | 4   | 4   |  |  |  |    | Stabilisor        |  |                               |
| 10 | ZM2901217   | 4   | 4   |  |  |  |    | Screw             |  | (ZM2904122)                   |
| 11 | ZM2904751   | 4   | 4   |  |  |  |    | Injection pipes   |  |                               |
| 12 | ZM2908047   | 1   | 1   |  |  |  |    | Leak-off line     |  | (ZM2905337)See footnote 1365) |
| 13 | VOE20775904 | 2   | 2   |  |  |  |    | Fitting           |  | See footnote 1365)            |
| 14 | ZM2908047   | 1   | 1   |  |  |  |    | Leak-off line     |  | (ZM2906314)See footnote 1365) |
| 15 | ZM2908047   | 2   | 2   |  |  |  |    | Leak-off line     |  | (ZM2900414)See footnote 1365) |
| 16 | ZM2290386   | 1   | 1   |  |  |  | SS | Hose              |  | See footnote 1365)            |
| 17 | ZM2290388   | 1   | 1   |  |  |  |    | Connecting piece  |  | See footnote 1365)            |
| 18 | ZM2905361   | 3   | 3   |  |  |  | SS | Hose              |  | See footnote 1365)            |
| 19 | ZM2901215   | 1   | 1   |  |  |  |    | Hose              |  | See footnote 1365)            |
| 20 | ZM2905336   | 1   | 1   |  |  |  |    | Holder ribbon     |  |                               |
| 21 | ZM2904146   | 1   | 1   |  |  |  |    | Fuel pipe         |  |                               |
| 22 | ZM2290272   | 4   | 4   |  |  |  | SS | Hollow screw      |  | 8                             |
| 23 | ZM5138008   | 8   | 8   |  |  |  |    | Seal              |  | (ZM7099528)A12x18             |
| 24 | ZM2908264   | 1   | 1   |  |  |  |    | Rubber hose       |  | (ZM2904148)                   |
| 25 | ZM2908264   | 1   | 1   |  |  |  |    | Rubber hose       |  | (ZM2290398)                   |
| 26 | VOE20914426 | 4   | 4   |  |  |  |    | Hose Clamp        |  | (ZM2904147)                   |

1365) only 2908047 cpl. deliverable

|                            |   |                                  |                                 |
|----------------------------|---|----------------------------------|---------------------------------|
| Date:<br><b>2013/11/14</b> | Image id:<br><b>0000054</b>   | Catalogue:<br><b>07502</b>       | Model:<br><b>L35</b>            |
| Brand:<br><b>Volvo</b>     | Serial:<br><b>1860001-1860461,<br/>1880001-1880045,<br/>1890001-1890073</b> | Group/Section:<br><b>252/100</b> | Title:<br><b>Exhaust system</b> |



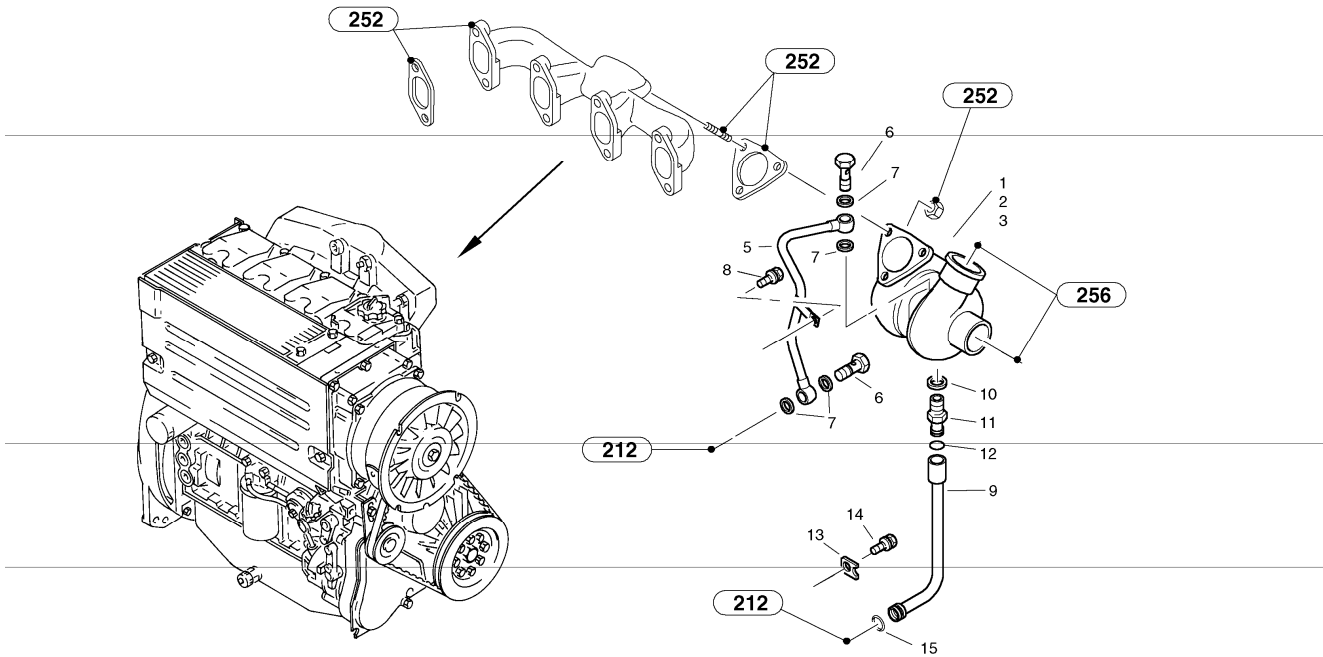
0000054

| Q1-Q5      | Option | Option description |  |
|------------|--------|--------------------|--|
| Q1 1860001 |        |                    |  |
| Q2 1880001 |        |                    |  |

| Pos | Part        | Q1 | Q2 | Q3 | Q4 | Q5 | PS | Kit | Description     | Option(s) | Remark           |
|-----|-------------|----|----|----|----|----|----|-----|-----------------|-----------|------------------|
| 1   | ZM2907513   | 1  | 1  |    |    |    |    |     | Collecting pipe |           | (ZM2904411)      |
| 2   | ZM4083910   | 4  | 4  |    |    |    |    |     | Stiffener       |           |                  |
| 3   | VOE20481810 | 8  | 8  |    |    |    |    |     | Screw           |           | (ZM2904037)      |
| 4   | ZM2904412   | 8  | 8  |    |    |    |    |     | Bushing         |           |                  |
| 5   | VOE20834041 | 3  | 3  |    |    |    |    |     | Stud            |           | M8x20            |
| 6   | ZM2900459   | 1  | 1  |    |    |    |    |     | Gasket          |           |                  |
| 7   | ZM7098010   | 3  | 3  |    |    |    |    |     | Nut             |           | M8               |
| 8   | ZM2810937   | 1  | 1  |    |    |    |    |     | Exhaust hose    |           |                  |
| 9   | VOE11306075 | 1  | 1  |    |    |    |    |     | Clamp           |           | (ZM8092911)58,5  |
| 10  | VOE983244   | 1  | 1  |    |    |    |    |     | Hexagon screw   |           | (ZM7095519)M8x30 |
| 11  | VOE11305837 | 2  | 2  |    |    |    |    |     | Washer          |           | (ZM7090940)B 8,4 |
| 12  | ZM7098010   | 1  | 1  |    |    |    |    |     | Nut             |           | M8               |
| 13  | ZM2810334   | 4  | 4  |    |    |    |    |     | Screw           |           | M10x25           |
| 14  | VOE11307559 | 4  | 4  |    |    |    |    |     | Washer          |           | (ZM709094)B10,5  |

|    |             |   |   |  |  |  |  |  |                  |  |                         |
|----|-------------|---|---|--|--|--|--|--|------------------|--|-------------------------|
| 15 | ZM2120430   | 4 | 4 |  |  |  |  |  | Nut              |  | VM10                    |
| 16 | ZM2810936   | 1 | 1 |  |  |  |  |  | Muffler          |  |                         |
| 17 | VOE11306373 | 1 | 1 |  |  |  |  |  | Sealing moulding |  | (ZM4419055)L =<br>300MM |
| 18 | ZM4083930   | 1 | 1 |  |  |  |  |  | Stiffener        |  |                         |
| 19 | VOE20834041 | 3 | 3 |  |  |  |  |  | Stud             |  | M8x20                   |
| 20 | ZM7098010   | 3 | 3 |  |  |  |  |  | Nut              |  | M8                      |

|                            |   |                                  |  |
|----------------------------|---|----------------------------------|--|
| Date:<br><b>2013/11/14</b> | Image id:<br><b>00000119</b>  | Catalogue:<br><b>07502</b>       | Model:<br><b>L35</b>                           |
| Brand:<br><b>Volvo</b>     | Serial:<br><b>1860001-1860461,<br/>1880001-1880045,<br/>1890001-1890073</b> | Group/Section:<br><b>255/100</b> | Title:<br><b>Exhaust turbo - super charger</b> |

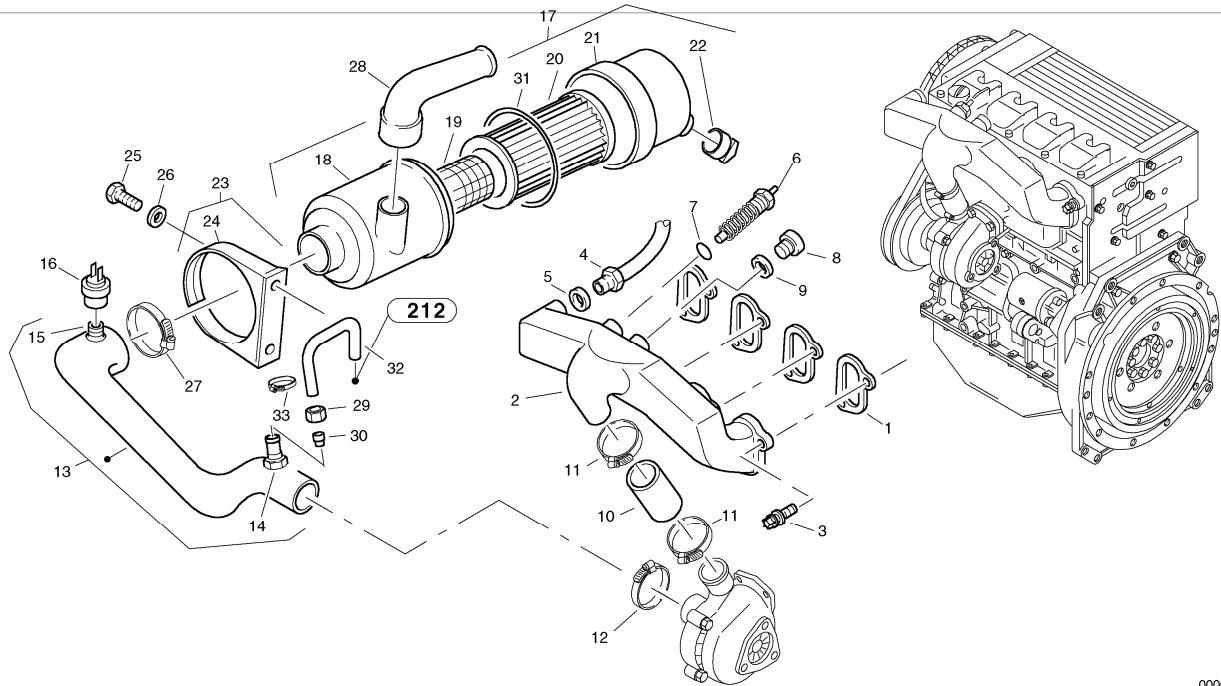


00000119

| Q1-Q5      | Option | Option description |  |
|------------|--------|--------------------|--|
| Q1 1860001 |        |                    |  |
| Q2 1880001 |        |                    |  |

| Pos | Part        | Q1  | Q2  | Q3 | Q4 | Q5 | PS | Kit | Description               | Option(s) | Remark            |
|-----|-------------|-----|-----|----|----|----|----|-----|---------------------------|-----------|-------------------|
| 1   | ZM2904185   | 1   | 1   |    |    |    |    |     | Exhaust turbo - super cha |           |                   |
| 2   | ZM2905393   | REQ | REQ |    |    |    |    |     | Repair Kit                |           |                   |
| 3   | ZM2905394   | REQ | REQ |    |    |    | OP |     | Fuselage group            |           |                   |
| 5   | ZM2904732   | 1   | 1   |    |    |    |    |     | Oil Pipe                  |           |                   |
| 6   | ZM2290272   | 2   | 2   |    |    |    | SS |     | Hollow screw              |           | 8                 |
| 7   | VOE13947282 | 4   | 4   |    |    |    |    |     | Gasket                    |           | (ZM7099538)A12x16 |
| 8   | ZM2904733   | 1   | 1   |    |    |    |    |     | Screw                     |           |                   |
| 9   | ZM2904764   | 1   | 1   |    |    |    |    |     | Oil pipe                  |           |                   |
| 10  | VOE13947622 | 1   | 1   |    |    |    |    |     | Plane gasket              |           | (ZM7099500)A16x20 |
| 11  | VOE20459171 | 1   | 1   |    |    |    |    |     | Nipple                    |           | (ZM2904766)       |
| 12  | VOE20459172 | 1   | 1   |    |    |    |    |     | Sealing ring              |           | (ZM2290908)       |
| 13  | ZM2905360   | 1   | 1   |    |    |    |    |     | Retaining plate           |           |                   |
| 14  | ZM2904733   | 1   | 1   |    |    |    |    |     | Screw                     |           |                   |
| 15  | ZM2904191   | 1   | 1   |    |    |    |    |     | O-ring                    |           |                   |

|                            |   |                                  |   |
|----------------------------|---|----------------------------------|---|
| Date:<br><b>2013/11/14</b> | Image id:<br><b>00000117</b>  | Catalogue:<br><b>07502</b>       | Model:<br><b>L35</b>                    |
| Brand:<br><b>Volvo</b>     | Serial:<br><b>1860001-1860461,<br/>1880001-1880045,<br/>1890001-1890073</b> | Group/Section:<br><b>256/100</b> | Title:<br><b>Suction system, filter</b> |



00000117

| Q1-Q5      | Option | Option description |  |
|------------|--------|--------------------|--|
| Q1 1860001 |        |                    |  |
| Q2 1880001 |        |                    |  |
| Q3 1890001 |        |                    |  |

| Pos | Part        | Q1 | Q2 | Q3 | Q4 | Q5 | PS | Kit | Description     | Option(s) | Remark            |
|-----|-------------|----|----|----|----|----|----|-----|-----------------|-----------|-------------------|
| 1   | ZM2903605   | 4  | 4  | 4  |    |    |    |     | Gasket          |           |                   |
| 2   | ZM2905362   | 1  | 1  | 1  |    |    |    |     | Suction pipe    |           |                   |
| 3   | VOE3586624  | 8  | 8  | 8  |    |    |    |     | Hexagon screw   |           | (ZM2905363)       |
| 4   | ZM2905386   | 1  | 1  | 1  |    |    |    |     | Hose assembly   |           | M10x1             |
| 5   | ZM7099577   | 1  | 1  | 1  |    |    | SS |     | Seal            |           | A10x13,5          |
| 6   | ZM4065780   | 1  | 1  | 1  |    |    |    |     | Support         |           |                   |
| 7   | VOE20460026 | 1  | 1  | 1  |    |    |    |     | Sealing ring    |           | (ZM7099523)A22x27 |
| 8   | ZM7099424   | 1  | 1  | 1  |    |    |    |     | Screw plug      |           | M22x1,5           |
| 9   | VOE20460026 | 1  | 1  | 1  |    |    |    |     | Sealing ring    |           | (ZM7099523)A22x27 |
| 10  | ZM4074550   | 1  | 1  | 1  |    |    |    |     | Hose connection |           |                   |
| 11  | ZM4084040   | 2  | 2  | 2  |    |    |    |     | Clamp           |           |                   |
| 12  | ZM2060784   | 1  | 1  | 1  |    |    |    |     | Clip            |           | AS50-70           |
| 13  | ZM2817353   | 1  | 1  | 1  |    |    |    |     | Suction hose    |           | (ZM2813362)       |

Thank you so much for reading.  
Please click the “Buy Now!”  
button below to download the  
complete manual.



After you pay.

You can download the most  
perfect and complete manual in  
the world immediately.

Our support email:

[ebooklibonline@outlook.com](mailto:ebooklibonline@outlook.com)