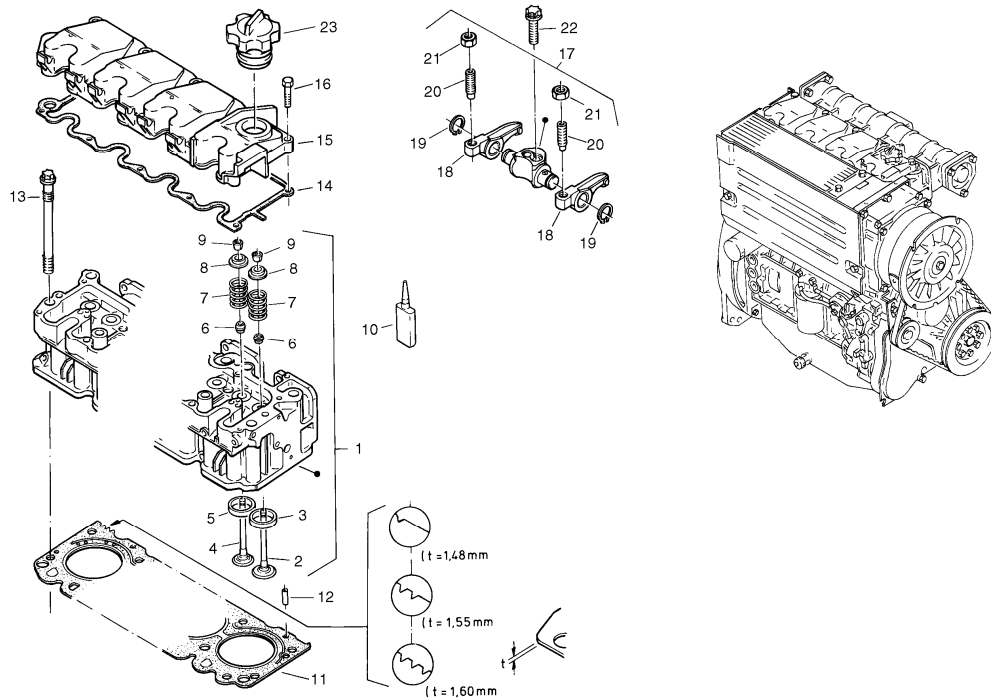


Date: 2013/11/12	Image id: 00000091	Catalogue: 07518	Model: L35B
Brand: Volvo	Serial: 1862201-1862999, 1872201-1872999, 1882201-1882999, 1892201-1892999	Group/Section: 211/100	Title: Cylinder head, timing gears



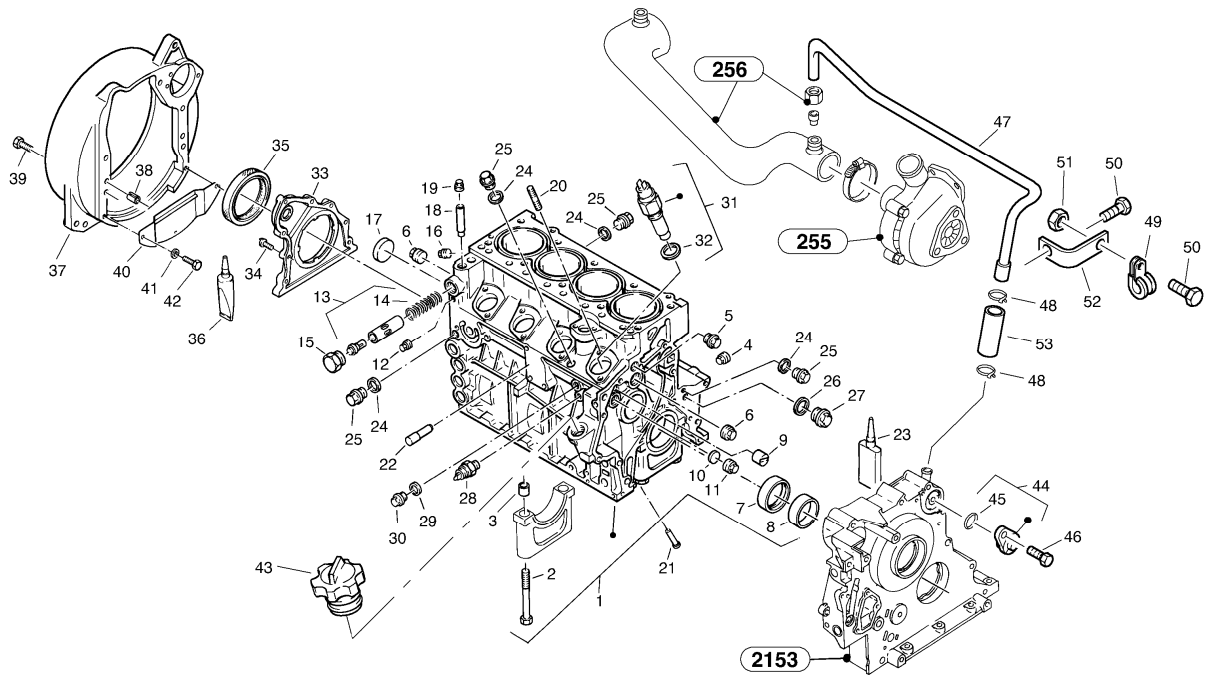
00000091

Q1-Q5	Option	Option description	
Q1 1862201-			
Q2 1872201-			
Q3 1882201-			
Q4 1892201-			

Pos	Part	Q1	Q2	Q3	Q4	Q5	PS	Kit	Description	Option(s)	Remark
1	ZM2904181	1	1	1	1				Cylinder head		
2	ZM2904183	4	4	4	4				••Inlet valve		M10x1
3	ZM2904089	4	4	4	4		SS		••Valve seat ring		
3	ZM2290534	REQ	REQ	REQ	REQ				••Valve seat ring		42,87 mm
4	ZM2904090	4	4	4	4				••Exhaust Valve		
5	ZM2904182	4	4	4	4				••Valve Seat Ring		
5	ZM2290500	REQ	REQ	REQ	REQ				••Valve seat ring		37,27 mm
6	VOE20459855	8	8	8	8				••Valve seal		(ZM2904368)
7	ZM2904091	8	8	8	8				••Pressure spring		
8	ZM2290505	8	8	8	8				••Spring Disc		
9	VOE20459857	16	16	16	16				••Valve sleeve		

10	ZM2903912	REQ	REQ	REQ	REQ		OP		Locking agent		
11	ZM2904094	REQ	REQ	REQ	REQ				Cylinder head gasket		1,48 mm
11	ZM2905354	REQ	REQ	REQ	REQ				Cylinder head gasket		1,55 mm
11	ZM2905355	1	1	1	1				Cylinder head gasket		1,60 mm
12	VOE21033924	2	2	2	2				Guide pin		(ZM2904093)
13	ZM2904092	10	10	10	10				Cylinder head screw		
14	ZM2904098	1	1	1	1				Gasket		
15	ZM2905356	1	1	1	1				Cylinder head cover		
16	VOE11306472	10	10	10	10				Hexagon screw		(ZM7095003)M6x30
17	ZM2290529	4	4	4	4				Valve rocker support		
18	ZM2290526	2	2	2	2				••Rocker Arm		
19	ZM7094952	2	2	2	2				••Safety ring		18x1,2
20	ZM2290527	2	2	2	2				••Adjusting screw		
21	VOE11700373	2	2	2	2				••Nut		
22	VOE20459853	8	8	8	8				Screw		
23	ZM2904064	1	1	1	1				Filler cap		

Date: 2013/11/13	Image id: 00000084	Catalogue: 07518	Model: L35B
Brand: Volvo	Serial: 1862201-1862999, 1872201-1872999, 1882201-1882999, 1892201-1892999	Group/Section: 212/100	Title: Engine casing, Ventilation



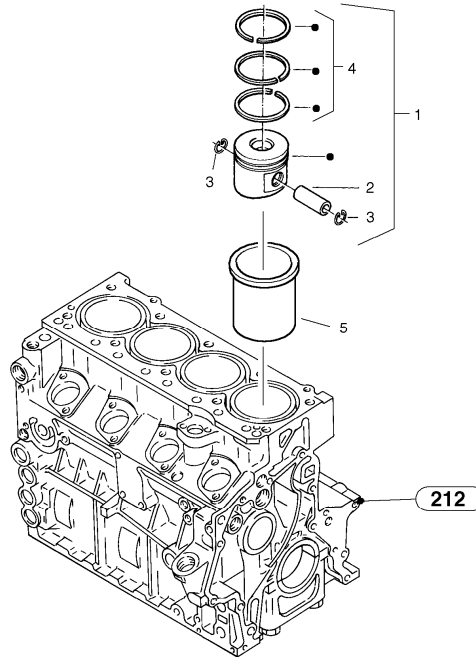
00000084

Q1-Q5	Option	Option description	
Q1 186220-			
Q2 187220-			
Q3 188220-			
Q4 189220-			

Pos	Part	Q1	Q2	Q3	Q4	Q5	PS	Kit	Description	Option(s)	Remark
1	ZM2904194	1	1	1	1				Crankcase, cpl.		
2	ZM2290540	10	10	10	10				••Hexagon screw		
3	ZM4010300	10	10	10	10				••Bushing		
4	VOE20860215	1	1	1	1				••Screw		(ZM2905340)
5	ZM2904050	1	1	1	1				••Screw plug		
6	VOE20405717	2	2	2	2				••Plug		(ZM2905341)
7	ZM2904048	2	2	2	2				••Bearing bush		
8	VOE20795762	3	3	3	3				••Bearing Bushing		
9	VOE15053296	2	2	2	2				••Guide sleeve		(ZM2290541)
10	ZM8092104	1	1	1	1				••Hood		16
11	ZM2905346	1	1	1	1				••Screw plug		

12	ZM2905343	1	1	1	1				••Screw plug		
13	ZM2904169	1	1	1	1				••Thermostat		
14	ZM2904053	1	1	1	1				•••Pressure spring		
15	ZM2905345	1	1	1	1				••Screw plug		
16	VOE20459853	1	1	1	1				••Screw		
17	VOE20882154	1	1	1	1				••Plug		(ZM7092106)28
18	ZM2904051	1	1	1	1				••Tube		
19	ZM2905344	1	1	1	1				••Screw plug		
20	ZM8097406	8	8	8	8				••Pin screw		
21	ZM2904056	8	8	8	8				Piston cooling jet		
22	ZM2904057	1	1	1	1				Pin		
23	ZM2904058	REQ	REQ	REQ	REQ				Locking agent		
24	VOE11700631	4	4	4	4				Sealing ring		(ZM7099530)A10x16
25	ZM8099416	4	4	4	4				Screw plug		M10x1
26	VOE13947624	1	1	1	1				Plane gasket		(ZM7099511)A18x24
27	VOE20405506	1	1	1	1				Plug		M18x1,5
28	ZM2905379	1	1	1	1				Oil pressure switch		
29	VOE13947624	1	1	1	1				Plane gasket		(ZM7099511)A18x24
30	VOE11305512	1	1	1	1				Lock plug		(ZM7099401)AM18x1,5
31	ZM2904059	1	1	1	1				Temperature transmitter		
32	ZM7099503	1	1	1	1		SS		••Seal		A14x18
33	ZM2292219	1	1	1	1				Cover rear		
34	ZM2290455	8	8	8	8				Screw		
35	ZM2292220	1	1	1	1				Radial seal		
36	ZM4084070	REQ	REQ	REQ	REQ				Sealant		
37	ZM2905335	1	1	1	1				Intermediate housing		
38	ZM2290547	2	2	2	2				Bushing		
39	VOE11306530	4	4	4	4				Hexagon screw		(ZM8096638)M12x35
40	ZM2290561	1	1	1	1				Cover plate		
41	VOE955892	3	3	3	3				Washer		(ZM7098752)B6,4
42	ZM7095067	3	3	3	3		SS		Screw		M6x10
43	ZM2904064	1	1	1	1				Filler cap		
44	ZM2904065	1	1	1	1				Valve		
45	ZM2904066	1	1	1	1				••O-ring		
46	ZM7095068	1	1	1	1				Screw		M6x25
49	ZM2290447	2	2	2	2				Clamp		
50	ZM2292234	2	2	2	2				Screw		
51	ZM7098392	1	1	1	1				Nut		M6
51	ZM7098010	1	1	1	1				Nut		M8
52	ZM2905349	1	1	1	1				Retainer		
53	ZM2905348	1	1	1	1				Hose		

Date: 2013/11/13	Image id: 0000088	Catalogue: 07518	Model: L35B
Brand: Volvo	Serial: 1862201-1862999, 1872201-1872999, 1882201-1882999, 1892201-1892999	Group/Section: 213/100	Title: Cylinder bush and piston

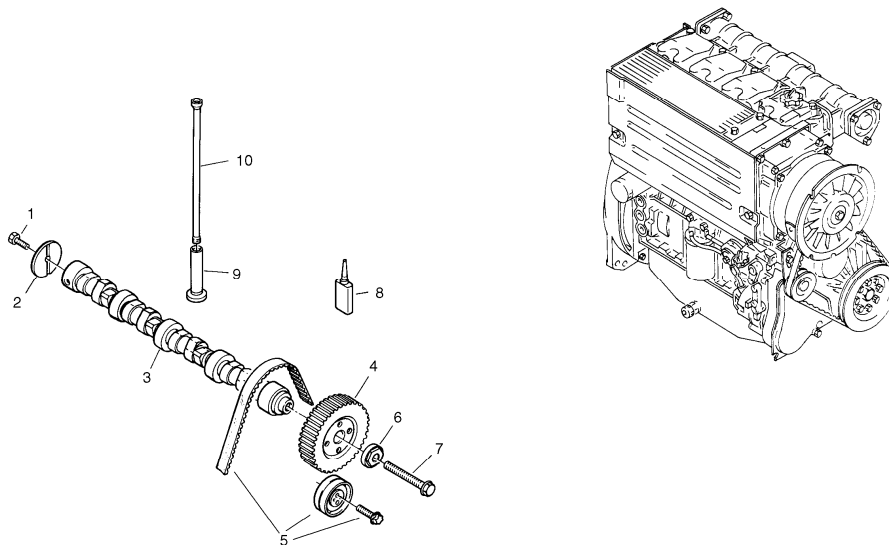


0000088

Q1-Q5	Option	Option description	
Q1 1862201-			
Q2 1872201-			
Q3 1882201-			
Q4 1892201-			

Pos	Part	Q1	Q2	Q3	Q4	Q5	PS	Kit	Description	Option(s)	Remark
1	ZM2905352	4	4	4	4				Piston, cpl.		
2	VOE11715530	1	1	1	1				••Bolt		(ZM2290442)
3	VOE11715531	2	2	2	2				••Retaining ring		(ZM2290443)C30x2,0
4	ZM2905353	1	1	1	1				••Piston Ring Kit		
5	ZM2905347	REQ	REQ	REQ	REQ				Cylinder liner		

Date: 2013/11/13	Image id: 00000079	Catalogue: 07518	Model: L35B
Brand: Volvo	Serial: 1862201-1862999, 1872201-1872999, 1882201-1882999, 1892201-1892999	Group/Section: 215/100	Title: Camshaft

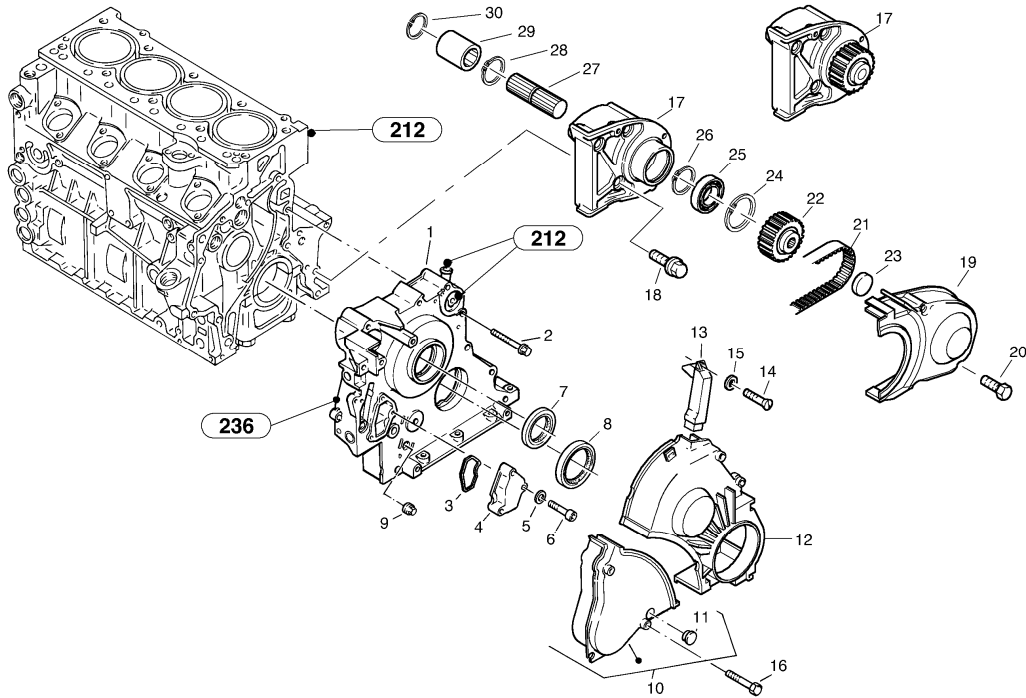


00000079

Q1-Q5	Option	Option description	
Q1 1862201-			
Q2 1872201-			
Q3 1882201-			
Q4 1892201-			

Pos	Part	Q1	Q2	Q3	Q4	Q5	PS	Kit	Description	Option(s)	Remark
1	ZM8095503	1	1	1	1				Screw		M8x35
2	ZM2290517	1	1	1	1				Spacer disc		
3	ZM2905357	1	1	1	1				Camshaft		
4	ZM2290519	1	1	1	1				Toothed belt wheel		
5	ZM2904890	1	1	1	1				Repair kit (toothed belt)		
6	ZM2290522	1	1	1	1				Washer		
7	VOE20797281	1	1	1	1				Hexagon screw		M14x1,5x110
8	ZM2903828	REQ	REQ	REQ	REQ		OP		Locking agent		
9	ZM2904101	2	2	2	2				Valve tappet		
10	ZM2290524	2	2	2	2				Push rod		

Date: 2013/11/13	Image id: 00072100	Catalogue: 07518	Model: L35B
Brand: Volvo	Serial: 1862201-1862999, 1872201-1872999, 1882201-1882999, 1892201-1892999	Group/Section: 2153/100	Title: Timing gear housing (front cover)



00072100

Q1-Q5	Option	Option description	
Q1 1862201-			
Q2 1872201-			
Q3 1882201-			
Q4 1892201-			

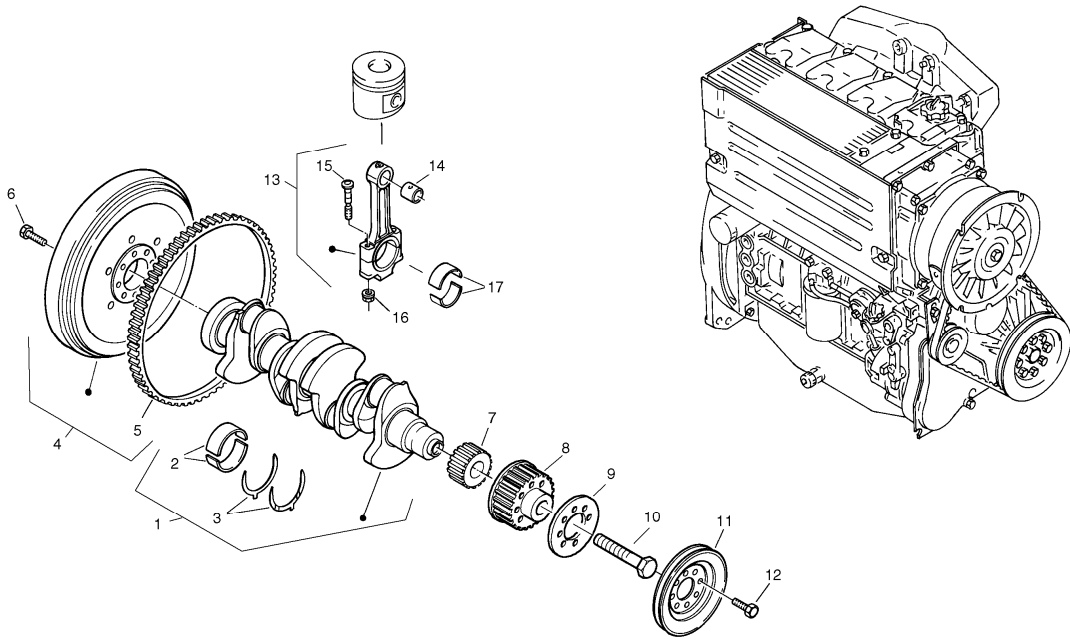
Pos	Part	Q1	Q2	Q3	Q4	Q5	PS	Kit	Description	Option(s)	Remark
1	ZM2904069	1	1	1	1				Front cover		
2	ZM2904100	11	11	11	11		SS		Screw		
3	ZM2904068	1	1	1	1				Profil gasket		
4	ZM2904070	1	1	1	1				Cover		
5	VOE955892	3	3	3	3				Washer		(ZM7098752)B6,4
6	ZM7096552	3	3	3	3				Screw		M6x35
7	ZM2291470	1	1	1	1				Seal		
8	ZM2290458	1	1	1	1				Seal		
9	ZM8096511	1	1	1	1				Screw plug		M14x1,5
10	ZM2290486	1	1	1	1				Protective hood		
11	ZM2904072	1	1	1	1				••Plug		

12	ZM2905383	1	1	1	1				Protecting casing		
13	ZM2900130	1	1	1	1		SS		Air duct		
14	ZM2900131	1	1	1	1				Screw		M4x12
15	VOE955891	1	1	1	1				Washer		(ZM7098754)A4,3
16	VOE955282	4	4	4	4				Hexagon screw		(ZM7095114)M6x70
17	ZM2910193	1	1	1	1				Conversion kit		(ZM2906900)See footnote 1354)
17	ZM2910193	1	1	1	1				Conversion kit		(ZM2909610)See footnote 1391)
18	ZM2906901	3	3	3	3				Screw		
19	ZM2906902	1	1	1	1				Protecting casing		
20	ZM7095113	2	2	2	2				Screw		
21	ZM2905399	1	1	1	1				Toothed belt		
22	ZM2905398	1	1	1	1				Pulley		See footnote 1354)
23	ZM2905397	1	1	1	1				Cover		See footnote 1354)
24	ZM7094944	1	1	1	1				Lock Ring		See footnote 1354) 68x2,5
25	ZM2905396	1	1	1	1				Bearing		See footnote 1354)
26	ZM4332271	1	1	1	1				Lock Ring		See footnote 1354)
27	ZM2910193	1	1	1	1				Conversion kit		(ZM2905395)See footnote 1354)
28	ZM7094951	1	1	1	1				Snap Ring		See footnote 1354) 16x1
29	ZM4076320	1	1	1	1				Plate		See footnote 1354)
29	ZM2909959	1	1	1	1				Sleeve		See footnote 1391)
30	VOE955970	1	1	1	1				Retaining ring		(ZM7094953)See footnote 1354) 14x1

1354) up to engine no. 040 9 395

1391) from engine no. 040 9 396

Date: 2013/11/13	Image id: 00000126	Catalogue: 07518	Model: L35B
Brand: Volvo	Serial: 1862201-1862999, 1872201-1872999, 1882201-1882999, 1892201-1892999	Group/Section: 216/100	Title: Crankshaft



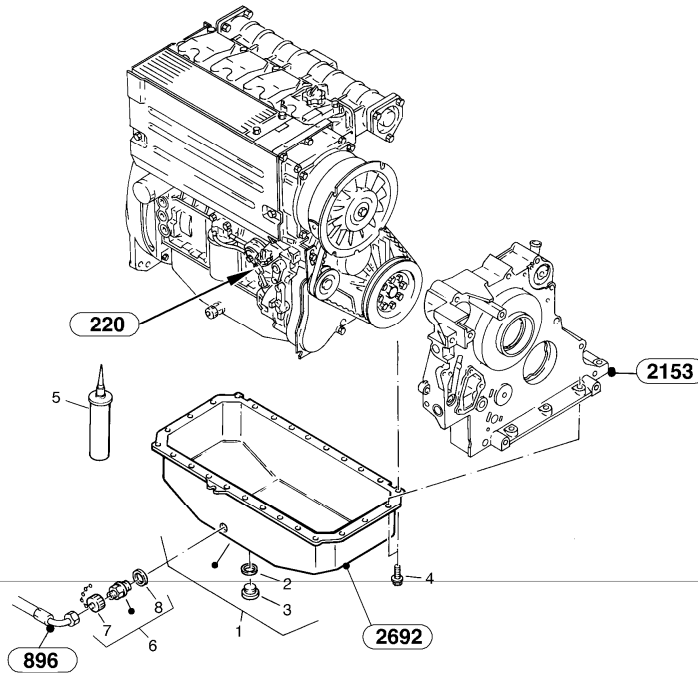
00000126

Q1-Q5	Option	Option description	
Q1 1862201-			
Q2 1872201-			
Q3 1882201-			
Q4 1892201-			

Pos	Part	Q1	Q2	Q3	Q4	Q5	PS	Kit	Description	Option(s)	Remark
1	ZM2905351	1	1	1	1				Crankshaft		
2	ZM2290402	REQ	REQ	REQ	REQ				••Crankshaft bearing		69,50 mm
2	ZM2900539	REQ	REQ	REQ	REQ				••Crankshaft bearing		69,75 mm
2	ZM2290400	5	5	5	5				••Crankshaft bearing		70,00 mm
3	VOE20944762	1	1	1	1				••Thrust Washer		2,40 mm
3	VOE20944769	REQ	REQ	REQ	REQ				••Thrust Washer		2,60 mm
4	ZM2904103	1	1	1	1		SS		Fly wheel		-1862358/-1872210/ -1882221/-1892242
4	ZM2908532	1	1	1	1				Flywheel		1862359-/1872211-/ 1882221-/1892243-

5	ZM2904104	1	1	1	1				••Gear ring		-1862358/-1872210/ -1882220/-1892242
5	ZM2908533	1	1	1	1				••Gear ring		1862359-/1872211-/ 1882221-/1892243-
6	ZM2290407	8	8	8	8				Screw		
7	ZM2290408	1	1	1	1				Toothed belt wheel		
8	ZM2290409	1	1	1	1				Toothed belt wheel		
9	ZM2290410	1	1	1	1				Intermediate piece		
10	ZM2290411	1	1	1	1				Screw		
11	ZM2905385	1	1	1	1				V-belt pulley		
12	ZM2908482	8	8	8	8				Screw		(ZM2900545)
13	ZM2904174	4	4	4	4				Connecting rod		
14	ZM2290431	1	1	1	1				••Bushing		33,07 - 33,11 mm
14	ZM2900544	REQ	REQ	REQ	REQ				••Bushing		33,32 - 33,36 mm
15	ZM2904106	2	2	2	2				••Screw		
16	ZM2290415	2	2	2	2				••Nut		
17	ZM2900543	REQ	REQ	REQ	REQ				Big end bearing		54,50 mm
17	ZM2900542	REQ	REQ	REQ	REQ				Big end bearing		54,75 mm
17	ZM2290432	4	4	4	4				Big end bearing		55,00 mm

Date: 2013/11/13	Image id: 00008901	Catalogue: 07518	Model: L35B
Brand: Volvo	Serial: 1862201-1862999, 1872201-1872999, 1882201-1882999, 1892201-1892999	Group/Section: 217/100	Title: Oil sump

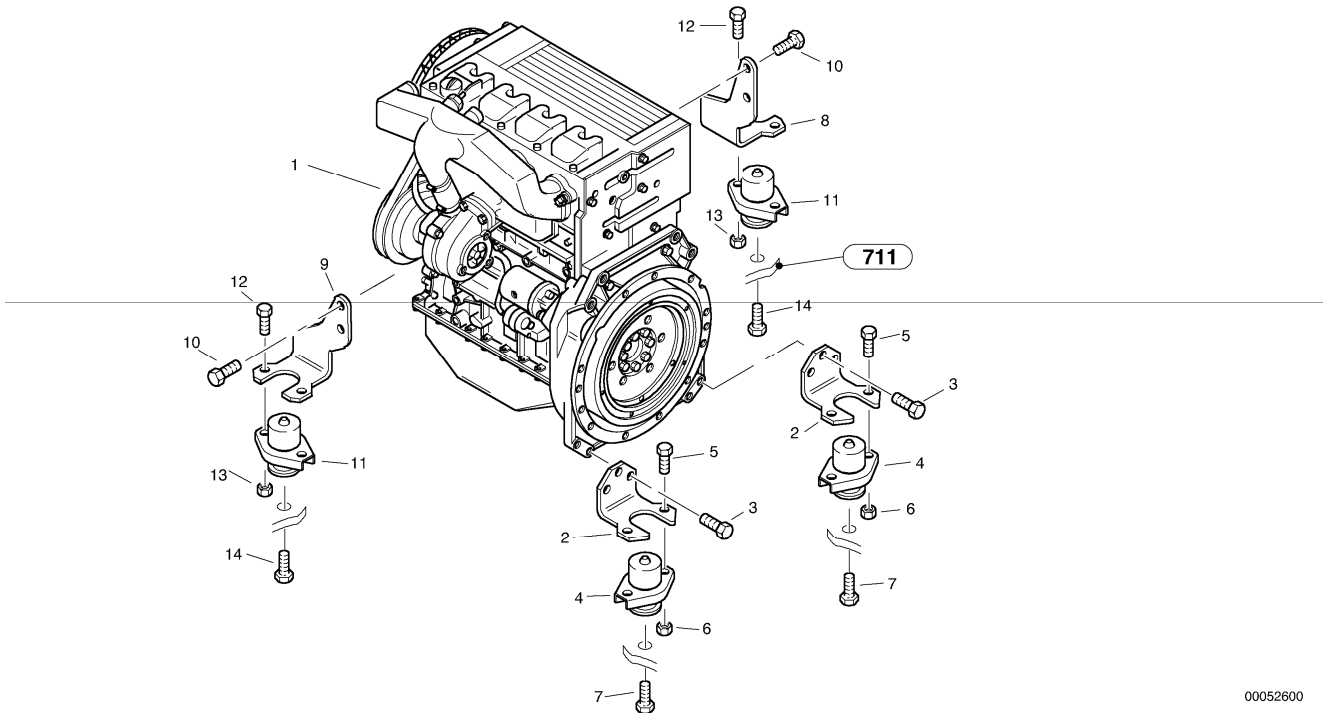


00008901

Q1-Q5	Option	Option description	
Q1 1862201-			
Q2 1872201-			
Q3 1882201-			
Q4 1892201-			

Pos	Part	Q1	Q2	Q3	Q4	Q5	PS	Kit	Description	Option(s)	Remark
1	ZM2904060	1	1	1	1				Oil pan		
2	VOE13947624	1	1	1	1				••Plane gasket		(ZM7099511)A18x24
3	ZM7099428	1	1	1	1				••Screw plug		M18x1,5
4	ZM2292234	26	26	26	26				Screw		
5	ZM2903926	REQ	REQ	REQ	REQ				Sealing compound		
6	ZM4384256	1	1	1	1				Valve		
7	ZM2285689	1	1	1	1				••Chain with cap		
8	ZM7099518	1	1	1	1				••Seal		C18x24

Date: 2013/11/13	Image id: 00052600	Catalogue: 07518	Model: L35B
Brand: Volvo	Serial: 1862201-1862999, 1872201-1872999, 1882201-1882999, 1892201-1892999	Group/Section: 218/100	Title: Engine assy



00052600

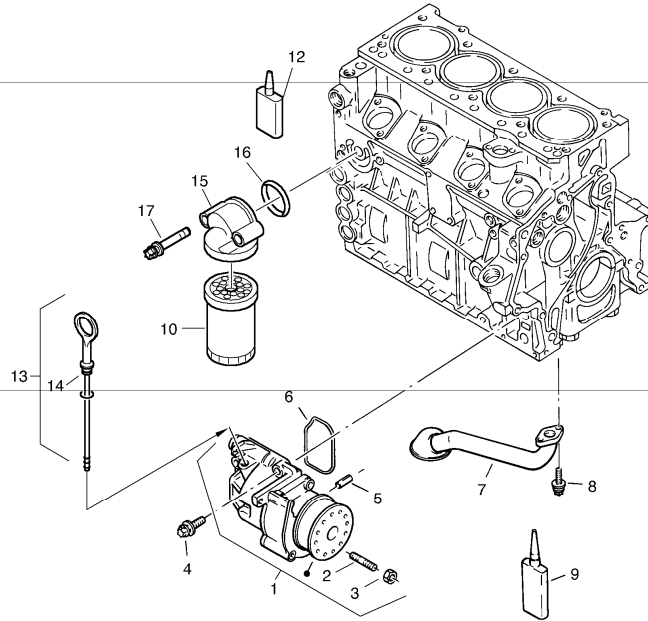
Q1-Q5	Option	Option description	
Q1 1862201-			
Q2 1872201-			
Q3 1882201-			
Q4 1892201-			

Pos	Part	Q1	Q2	Q3	Q4	Q5	PS	Kit	Description	Option(s)	Remark
1	ZM2814966	1	1	1	1				Engine, cpl.		
_ 1	ZM2817893	1	1	1	1				Engine		See footnote 1348)
2	ZM2807295	2	2	2	2				Retainer		
3	ZM4326456	2	2	2	2		SS		Screw		M14x30
4	VOE11306533	2	2	2	2				Buffer		(ZM4381063)
5	VOE983252	4	4	4	4				Hexagon screw		(ZM8095900)
6	VOE983304	4	4	4	4				Hexagon nut		M10
7	VOE978932	2	2	2	2				Hexagon screw		(ZM8096639)M12x30
8	ZM2810650	1	1	1	1				Retainer		
9	ZM2810649	1	1	1	1				Retainer		
10	ZM4326456	4	4	4	4		SS		Screw		M14x30
11	VOE11306533	2	2	2	2				Buffer		(ZM4381063)

12	VOE983252	4	4	4	4				Hexagon screw		(ZM8095900)
13	VOE983304	4	4	4	4				Hexagon nut		M10
14	VOE978932	2	2	2	2				Hexagon screw		(ZM8096639)M12x30

1348) by Engine oil preheating-NAFTA

Date: 2013/11/13	Image id: 00051501	Catalogue: 07518	Model: L35B
Brand: Volvo	Serial: 1862201-1862999, 1872201-1872999, 1882201-1882999, 1892201-1892999	Group/Section: 220/100	Title: Oil pump, oil filter



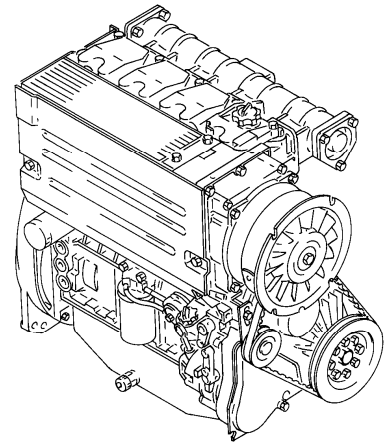
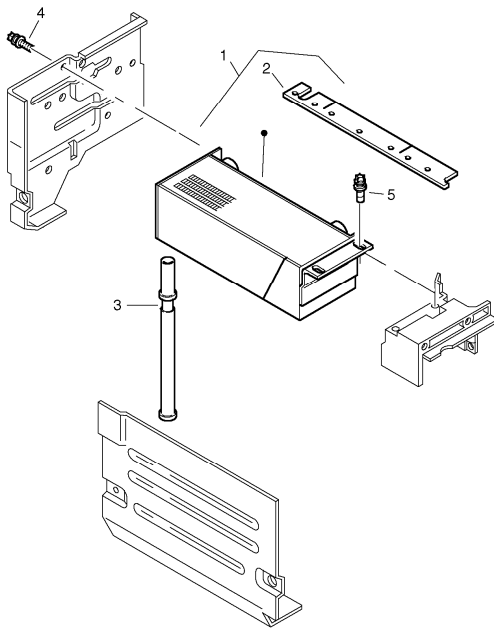
00051501

Q1-Q5	Option	Option description	
Q1 1862201-			
Q2 1872201-			
Q3 1882201-			
Q4 1892201-			

Pos	Part	Q1	Q2	Q3	Q4	Q5	PS	Kit	Description	Option(s)	Remark
1	VOE11715526	1	1	1	1				Oil pump		(ZM2904116)
2	ZM2290460	1	1	1	1		SS		••Bearing spindle		M6x40
3	ZM7098000	1	1	1	1				••Nut		M6
4	ZM2904117	4	4	4	4				Screw		
5	ZM2904118	2	2	2	2				Clamping pin		
6	ZM2904119	1	1	1	1				Gasket		
7	VOE11715751	1	1	1	1				Oil pipe		(ZM2904124)
8	ZM2904040	2	2	2	2		SS		Screw		
9	ZM2903828	REQ	REQ	REQ	REQ		OP		Locking agent		
10	ZM2904941	1	1	1	1				Oil filter		
12	VOE20464471	REQ	REQ	REQ	REQ				Locking fluid		
13	ZM2905170	1	1	1	1				Oil dipstick		

14	ZM2905171	1	1	1	1				••O-ring		
15	ZM2907622	1	1	1	1				Bracket		
16	ZM2907372	1	1	1	1				O-ring		
17	ZM2291482	2	2	2	2				Screw		

Date: 2013/11/13	Image id: 0000059	Catalogue: 07518	Model: L35B
Brand: Volvo	Serial: 1862201-1862999, 1872201-1872999, 1882201-1882999, 1892201-1892999	Group/Section: 223/100	Title: Engine - oil cooler

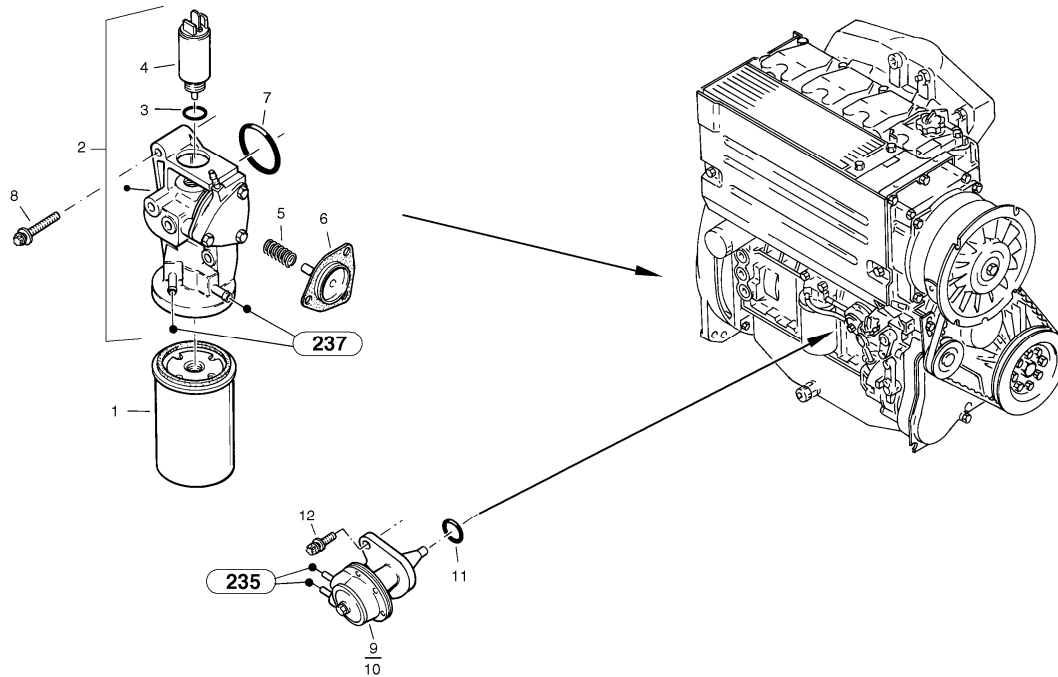


0000059

Q1-Q5	Option	Option description	
Q1 1862201-			
Q2 1872201-			
Q3 1882201-			
Q4 1892201-			

Pos	Part	Q1	Q2	Q3	Q4	Q5	PS	Kit	Description	Option(s)	Remark
1	ZM2905358	1	1	1	1		SS		Oil cooler		
2	ZM2905359	1	1	1	1				••Sealing strip		
3	ZM2904123	2	2	2	2				Insert pipe		
4	ZM2904121	2	2	2	2				Screw		
5	ZM2901217	2	2	2	2				Screw		(ZM2904122)

Date: 2013/11/13	Image id: 00000106	Catalogue: 07518	Model: L35B
Brand: Volvo	Serial: 1862201-1862999, 1872201-1872999, 1882201-1882999, 1892201-1892999	Group/Section: 233/100	Title: Fuel filter - Feed pump

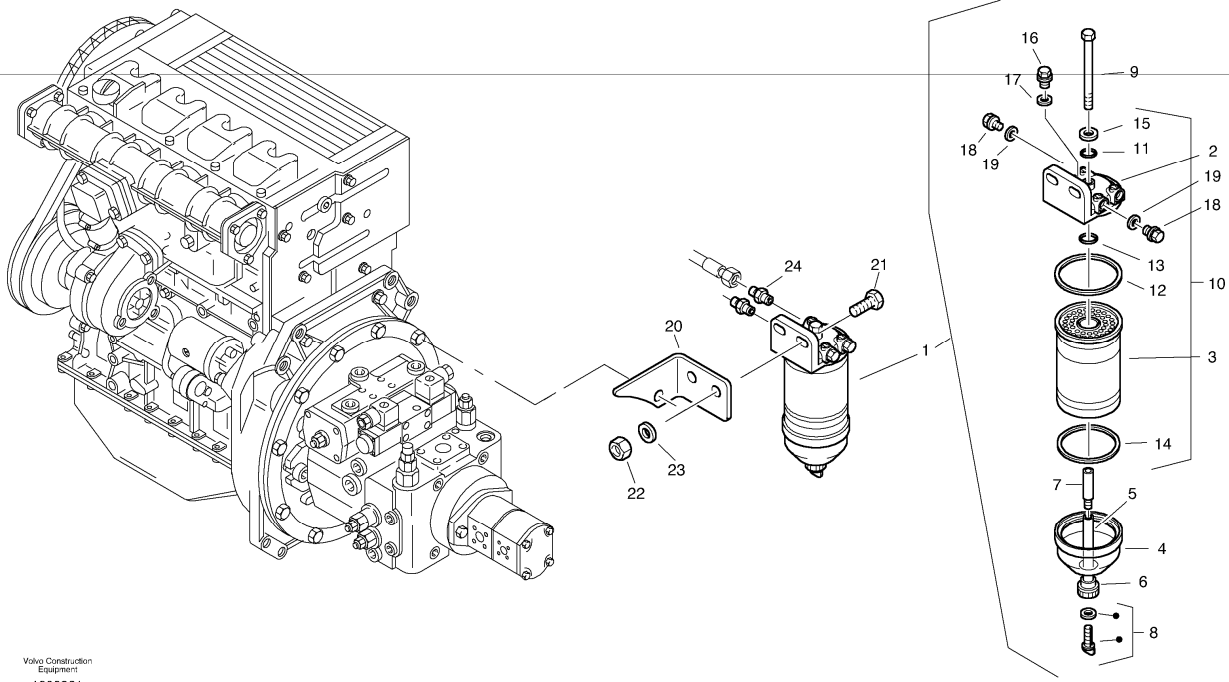


00000106

Q1-Q5	Option	Option description	
Q1 1862201-			
Q2 1872201-			
Q3 1882201-			
Q4 1892201-			

Pos	Part	Q1	Q2	Q3	Q4	Q5	PS	Kit	Description	Option(s)	Remark
1	ZM2905303	1	1	1	1				Filter		
2	ZM2905387	1	1	1	1				Fuel load stop		
3	ZM2904200	1	1	1	1				••O-ring		
4	VOE15185105	1	1	1	1				••Solenoid		(ZM2905388)
5	ZM2904199	1	1	1	1				••Thrust Spring		
6	ZM2904198	1	1	1	1		OP		••Diaphragm holder		(ZM2905389)
7	ZM2904201	1	1	1	1				O-ring		
8	ZM2291482	3	3	3	3				Screw		
9	ZM2904380	1	1	1	1				Feed pump		
10	ZM2904381	1	1	1	1				Repair kit		
11	ZM2290370	1	1	1	1				O-ring		
12	ZM2904137	2	2	2	2				Screw		

Date: 2013/11/13	Image id: 1000961	Catalogue: 07518	Model: L35B
Brand: Volvo	Serial: 1862201-1862999, 1872201-1872999, 1882201-1882999, 1892201-1892999	Group/Section: 23341/100	Title: Filter - Water separator



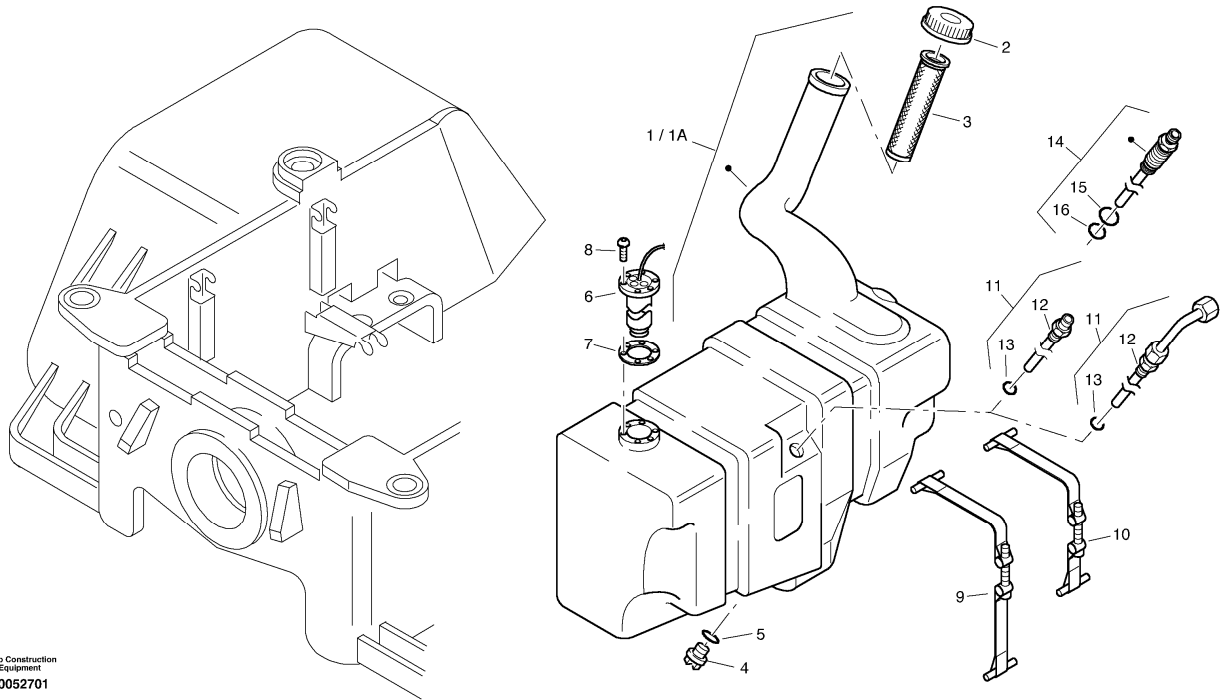
Volvo Construction
Equipment
1000961

Q1-Q5	Option	Option description	
Q1 1862201-			
Q2 1872201-			
Q3 1882201-			
Q4 1892201-			

Pos	Part	Q1	Q2	Q3	Q4	Q5	PS	Kit	Description	Option(s)	Remark
1	ZM2807872	1	1	1	1				Fuel filter		
2	ZM2905307	1	1	1	1		SS		••Filter head		
3	ZM2905298	1	1	1	1				••Filter cartridge		
4	ZM2905299	1	1	1	1				••Sight glass		
5	ZM2905300	1	1	1	1				••Knurled head screw		
6	VOE7242081	1	1	1	1				••Washer		(ZM2905301)
7	ZM2905302	1	1	1	1				••Screw		
8	VOE242595	1	1	1	1				••Plug		(ZM2905304)
9	ZM2910000	1	1	1	1				••Screw		
10	ZM2905306	1	1	1	1				••Gasket set, cpl.		
11	ZM2905308	1	1	1	1				•••O-ring		

12	ZM2905309	1	1	1	1				•••Gasket		
13	ZM2905310	1	1	1	1				•••O-ring		
14	ZM2905311	1	1	1	1				•••Gasket		
15	ZM2905312	1	1	1	1				•••Washer		
16	ZM2905313	1	1	1	1				••Screw		
17	ZM2164940	1	1	1	1				••Seal		A10x14
18	ZM7099404	2	2	2	2				••Lock Plug		AM14x1,5
19	ZM2905314	2	2	2	2				••Seal		
20	ZM2816411	1	1	1	1				Retainer		
21	VOE983251	2	2	2	2				Hexagon screw		(ZM7094813)M10x25
22	VOE983304	2	2	2	2				Hexagon nut		M10
23	VOE960148	2	2	2	2				Washer		(ZM7098741)B10,5
24	VOE11306928	2	2	2	2				Stud		L10MB

Date: 2013/11/13	Image id: 00052701	Catalogue: 07518	Model: L35B
Brand: Volvo	Serial: 1862201-1862999, 1872201-1872999, 1882201-1882999, 1892201-1892999	Group/Section: 234/100	Title: Fuel tank



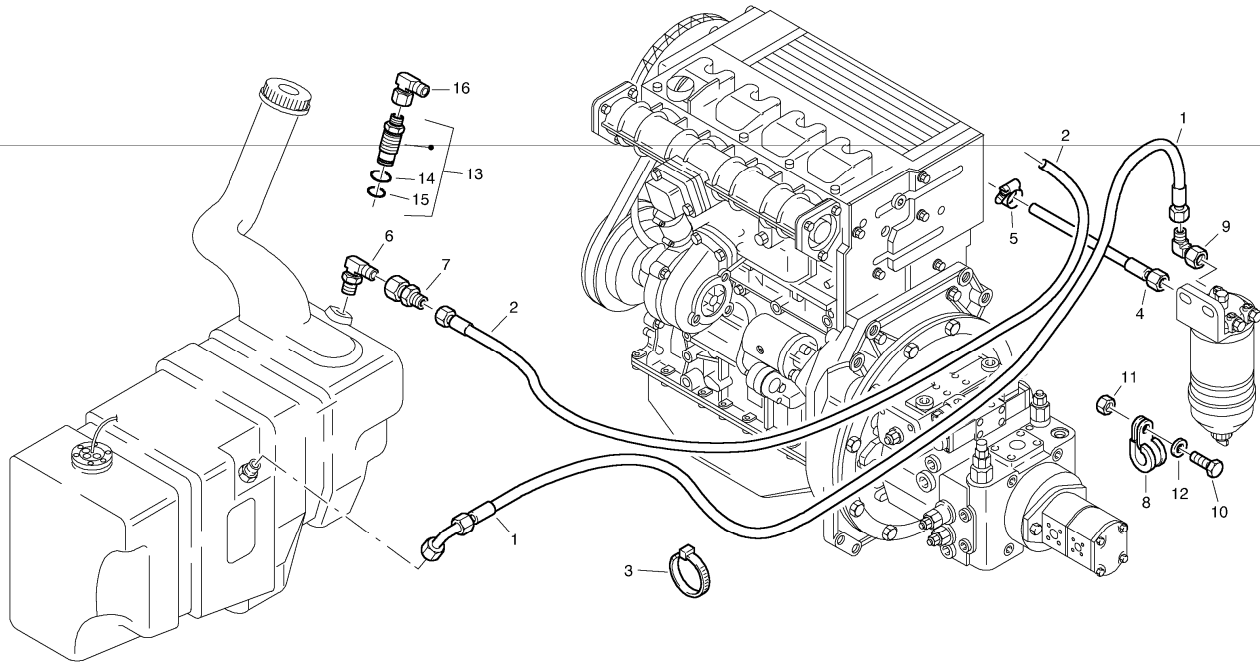
Volvo Construction
Equipment
00052701

Q1-Q5	Option	Option description	
Q1 1862201-			
Q2 1872201-			
Q3 1882201-			
Q4 1892201-			

Pos	Part	Q1	Q2	Q3	Q4	Q5	PS	Kit	Description	Option(s)	Remark
1	VOE11370525	1	1	1	1				Conversion kit		-1862629, -1872283 -1882261, -1892350
1A	VOE11306084	1	1	1	1				Fuel reservoir		1862630-, 1872284- 1882262-, 1892351-
2	ZM2804113	1	1	1	1				•Filler cap		
3	ZM2804112	1	1	1	1				•Fuel strainer		
4	ZM7099428	1	1	1	1				•Screw plug		M18x1,5
5	ZM1086268	1	1	1	1				•O-ring		16x3
6	ZM2805649	1	1	1	1				Fuel level sensor		
7	ZM2906069	1	1	1	1				•Gasket		
8	VOE11305438	6	6	6	6				Screw		(ZM7096666)M4x12
9	ZM2811413	1	1	1	1				Clamp		

10	ZM2811414	1	1	1	1				Clamp		
11	VOE15622108	1	1	1	1				Suction pipe		(ZM2811730)-1862371 /-1872216/ -1882224/-1892247
11	ZM2816077	1	1	1	1				Suction line		1862372-/-1872217-/ 1882225-/-1892248-
12	ZM2811249	1	1	1	1				•Pipe end		
13	ZM2906070	1	1	1	1				•O-ring		13,4x2,1
14	VOE11306081	1	1	1	1				Suction pipe		1862630-, 1872284- 1882262-, 1892351-
15	VOE11370540	1	1	1	1				•O-ring		22x5,5
16	VOE11370541	1	1	1	1				•O-ring		14x5

Date: 2013/11/13	Image id: 00004301	Catalogue: 07518	Model: L35B
Brand: Volvo	Serial: 1862201-1862999, 1872201-1872999, 1882201-1882999, 1892201-1892999	Group/Section: 235/100	Title: Fuel pipes



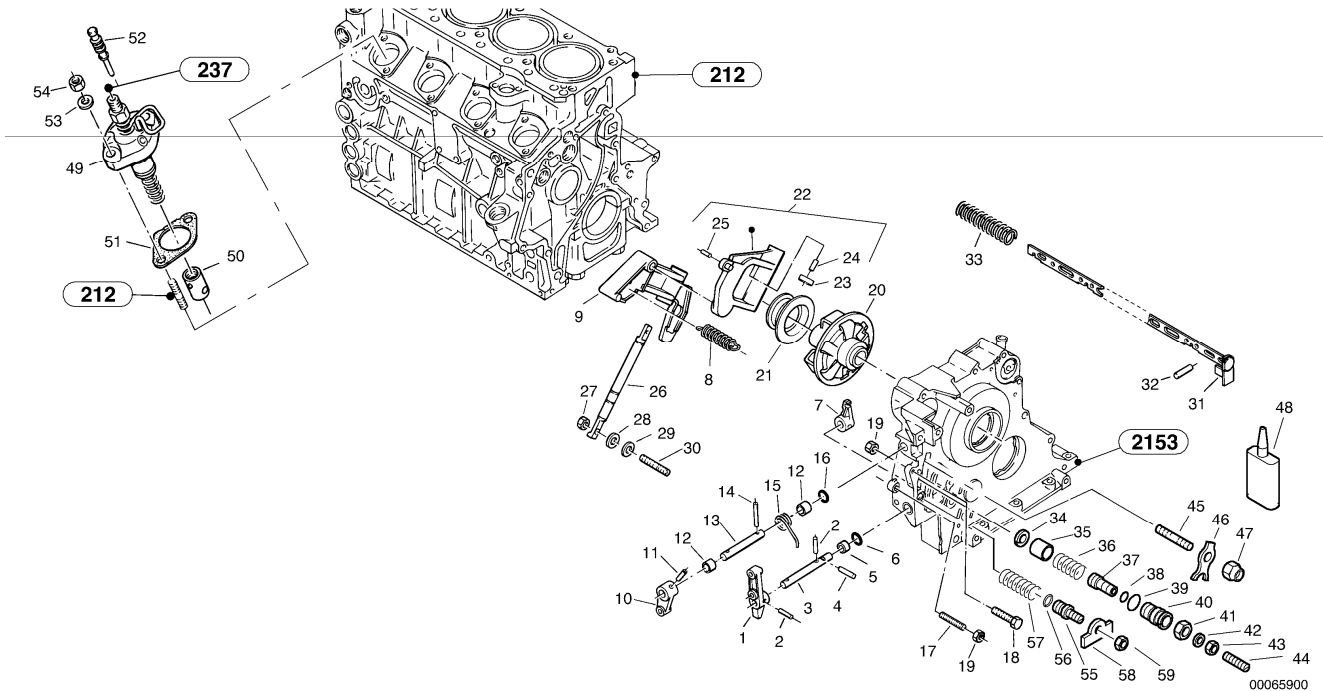
Volvo Construction
Equipment
00004301

Q1-Q5	Option	Option description	
Q1 1862201-			
Q2 1872201-			
Q3 1882201-			
Q4 1892201-			

Pos	Part	Q1	Q2	Q3	Q4	Q5	PS	Kit	Description	Option(s)	Remark
1	ZM2811482	1	1	1	1				Fuel hose		-1862371/-1872216/ -1882224/-1892247
1	ZM2814822	1	1	1	1				Fuel hose		1862372-/1872217-/ 1882225-/1892248-
2	ZM2811484	1	1	1	1				Fuel hose		-1862371/-1872216/ -1872224/-1892247
2	ZM2814635	1	1	1	1				Fuel hose		1862371-/1872217-/ 1882225-/1892248-
3	VOE4881438	2	2	2	2				Cable tie		
4	ZM2811483	1	1	1	1				Fuel hose		
5	VOE943470	1	1	1	1				Hose clamp		12x9
6	ZM2800658	1	1	1	1				Fitting		
7	VOE11307078	1	1	1	1				Fitting		(ZM7091432)

8	VOE952634	1	1	1	1				Clamp		1862372-/1872217-/ 1882225-/1892248-
9	VOE13945357	1	1	1	1				Elbow nipple		1862372-/1872217-/ 1882225-/1892248-
10	VOE13948356	1	1	1	1				Flange screw		M6x30 1862372-/1872217-/ 1882225-/1882248-
11	VOE945407	1	1	1	1				Flange nut		M6 1862372-/1872217-/ 1882225-/1892248-
12	VOE960139	1	1	1	1				Washer		B6,4 1862372-/1872217-/ 1882225-/1892248-
13	VOE11306079	1	1	1	1				Fitting		1862630-, 1872284- 1882262-, 1892351-
14	VOE11370540	1	1	1	1				•O-ring		22x5,5
15	VOE11370541	1	1	1	1				•O-ring		14x5
16	VOE13945357	1	1	1	1				Elbow nipple		1862630-, 1872284- 1882262-, 1892351-

Date: 2013/11/13	Image id: 00065900	Catalogue: 07518	Model: L35B
Brand: Volvo	Serial: 1862201-1862999, 1872201-1872999, 1882201-1882999, 1892201-1892999	Group/Section: 236/100	Title: Speed adjustment - Fuel injection pump



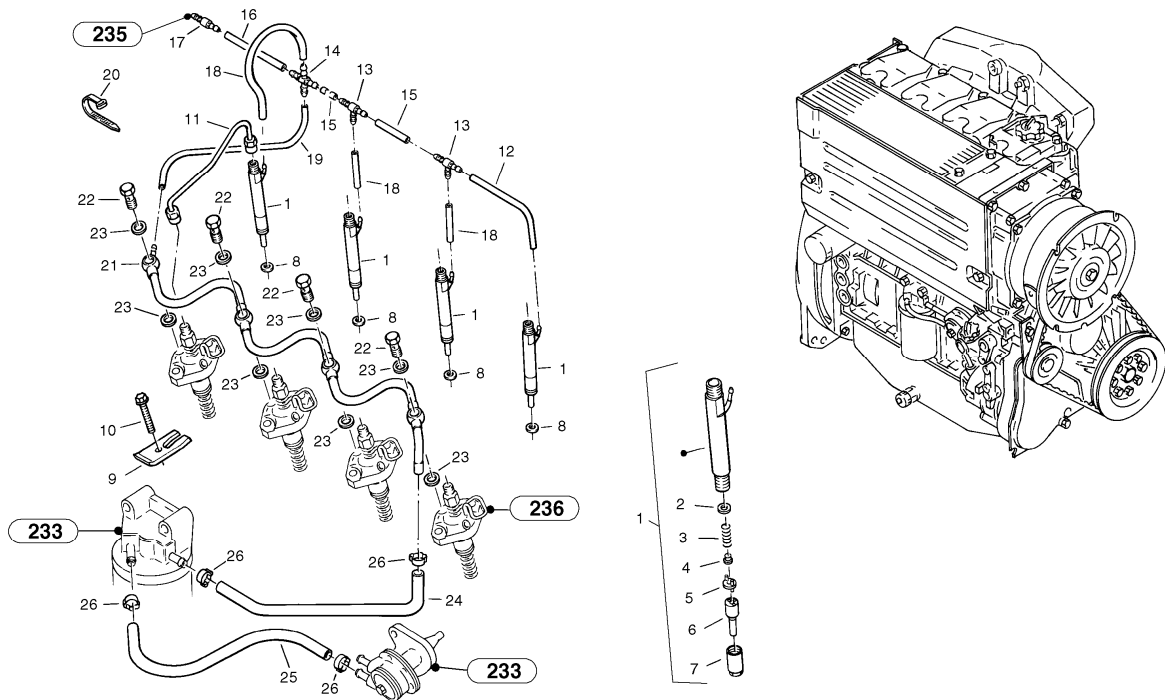
Q1-Q5	Option	Option description	
Q1 1862201-			
Q2 1872201-			
Q3 1882201-			
Q4 1892201-			

Pos	Part	Q1	Q2	Q3	Q4	Q5	PS	Kit	Description	Option(s)	Remark
1	ZM2904077	1	1	1	1				Lever		
2	ZM7099461	2	2	2	2				Clamping pin		5x20
3	ZM2291460	1	1	1	1				Regulator lever shaft		
4	ZM2292257	1	1	1	1				Bolt		
5	ZM2290478	1	1	1	1		SS		Sleeve		
6	ZM2291459	1	1	1	1				O-ring		
7	ZM2900507	1	1	1	1				Lever		
8	VOE11715758	1	1	1	1		SS		Tension spring		(ZM2905368)
9	VOE11370648	1	1	1	1				Hand lever		(ZM2904078)
10	ZM2290482	1	1	1	1				Stop lever		
11	ZM7099461	1	1	1	1				Clamping pin		5x20

12	ZM2290478	2	2	2	2		SS		Sleeve		
13	ZM2292255	1	1	1	1				Lever shaft		
14	ZM2291481	1	1	1	1				Pin		5x45
15	ZM2291464	1	1	1	1				Torsion spring		
16	ZM2291459	1	1	1	1				O-ring		
17	VOE15051912	1	1	1	1				Set screw		(ZM2291466)M6x50
18	ZM7095068	1	1	1	1				Screw		M6x25
19	ZM7098000	2	2	2	2				Nut		M6
20	VOE11370251	1	1	1	1				Centrifugal governor		(ZM2904074)
21	ZM2904079	1	1	1	1				Sleeve		
22	ZM2904076	1	1	1	1		SS		Roller lever		
23	ZM2904081	2	2	2	2				••Ball bearing		608-2Z
24	VOE11715759	2	2	2	2				••Bolt		(ZM2904082)A8K6x20
25	VOE20460241	1	1	1	1				••Screw		(ZM7095520)A4x8
26	ZM2904080	1	1	1	1				Axle		
27	ZM7098000	2	2	2	2				Nut		M6
28	ZM2291467	2	2	2	2				Washer		
29	ZM2291465	2	2	2	2				Washer		
30	VOE11370223	2	2	2	2				Stud		(ZM2291463)M6x12
31	ZM2904084	1	1	1	1				Control rod		
32	ZM2904085	1	1	1	1				Fixed pin		
33	ZM2290471	1	1	1	1				Pressure spring		
34	VOE955970	1	1	1	1				Retaining ring		(ZM7094953)14x1
35	ZM2906905	1	1	1	1				Stop		
36	ZM2291475	1	1	1	1				Pressure spring		
37	ZM2291476	1	1	1	1		SS		Adjusting screw		
38	ZM2291479	1	1	1	1				O-ring		
39	ZM2291480	1	1	1	1				O-ring		
40	ZM2906904	1	1	1	1				Adjusting screw		
41	VOE11700373	1	1	1	1				Nut		
42	ZM2904086	1	1	1	1				Seal		
43	VOE955780	1	1	1	1				Hexagon nut		(ZM7098004)M5
44	ZM2906906	1	1	1	1				Screwed pin		
45	ZM2176900	1	1	1	1		OP		Stud		
46	ZM2291472	1	1	1					Claw		
47	ZM7098392	1	1	1	1				Nut		M6
48	VOE20464471	REQ	REQ	REQ	REQ				Locking fluid		
49	ZM2904379	4	4	4	4				Injection Pump		
50	ZM2901356	4	4	4	4				Roller tappet		
51	ZM2904128	4	4	4	4				Balancer gasket		0,4 mm
51	ZM2904129	REQ	REQ	REQ	REQ				Balancer gasket		0,5 mm
51	ZM2904130	REQ	REQ	REQ	REQ				Balancer gasket		0,6 mm
51	ZM2904131	REQ	REQ	REQ	REQ				Balancer gasket		0,7 mm
51	ZM2904132	REQ	REQ	REQ	REQ				Balancer gasket		0,8 mm
51	ZM2904133	REQ	REQ	REQ	REQ				Balancer gasket		0,9 mm
51	ZM2904134	REQ	REQ	REQ	REQ				Balancer gasket		1,0 mm

52	ZM2904135	4	4	4	4				Plug		
53	VOE20405802	8	8	8	8				Washer		(ZM4072470)
54	ZM7098010	8	8	8	8				Nut		M8
55	ZM2905364	1	1	1	1		SS		Case		
56	ZM2905365	1	1	1	1				O-ring		
57	ZM2905367	1	1	1	1				Pressure spring		
58	ZM2905366	1	1	1	1				Washer		
59	ZM7098392	1	1	1	1				Nut		M6

Date: 2013/11/13	Image id: 00000095	Catalogue: 07518	Model: L35B
Brand: Volvo	Serial: 1862201-1862999, 1872201-1872999, 1882201-1882999, 1892201-1892999	Group/Section: 237/100	Title: Injection pipes, Injection valve



00000095

Q1-Q5	Option	Option description	
Q1 1862201-			
Q2 1872201-			
Q3 1882201-			
Q4 1892201-			

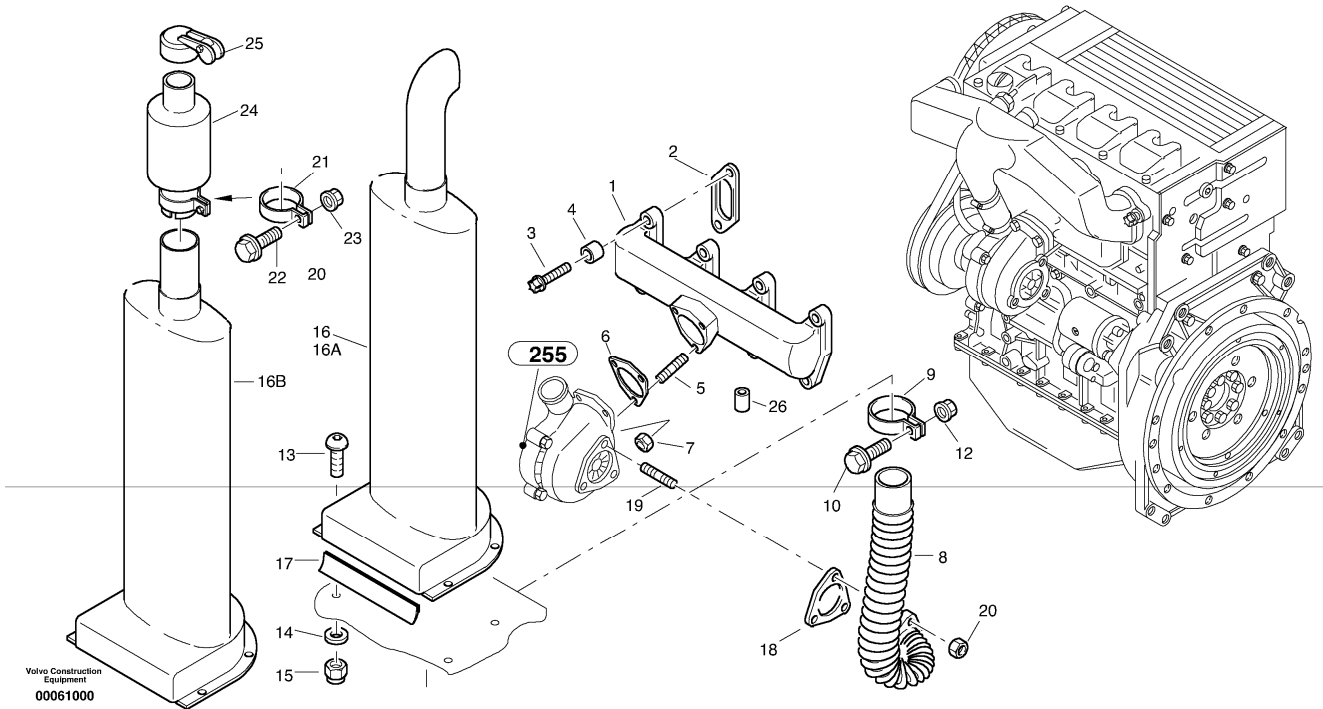
Pos	Part	Q1	Q2	Q3	Q4	Q5	PS	Kit	Description	Option(s)	Remark
1	ZM2904138	4	4	4	4				Injection valve		
2	VOE11705716	1	1	1	1				••Shim		(ZM2901179)1,00 mm
2	ZM2901180	REQ	REQ	REQ	REQ				••Spacer		1,04 mm
2	VOE11705718	REQ	REQ	REQ	REQ				••Shim		(ZM2901181)1,08 mm
2	ZM2901182	REQ	REQ	REQ	REQ				••Spacer		1,10 mm
2	ZM2901183	REQ	REQ	REQ	REQ				••Spacer		1,14 mm
2	ZM2901184	REQ	REQ	REQ	REQ				••Spacer		1,18 mm
2	VOE11705722	REQ	REQ	REQ	REQ				••Shim		(ZM2901185)1,20 mm
2	ZM2904144	REQ	REQ	REQ	REQ				••Spacer		1,22 mm
2	ZM2901186	REQ	REQ	REQ	REQ				••Spacer		1,24 mm
2	ZM2901187	REQ	REQ	REQ	REQ				••Spacer		1,28 mm

2	ZM2901188	REQ	REQ	REQ	REQ				••Spacer		1,30 mm
2	VOE11705726	REQ	REQ	REQ	REQ				••Shim		(ZM2901189)1,34 mm
2	ZM2901190	REQ	REQ	REQ	REQ				••Spacer		1,38 mm
2	ZM2901191	REQ	REQ	REQ	REQ				••Spacer		1,40 mm
2	ZM2901192	REQ	REQ	REQ	REQ				••Spacer		1,44 mm
2	ZM2901193	REQ	REQ	REQ	REQ				••Spacer		1,48 mm
2	ZM2901194	REQ	REQ	REQ	REQ				••Spacer		1,50 mm
2	ZM2901195	REQ	REQ	REQ	REQ				••Spacer		1,54 mm
2	ZM2901196	REQ	REQ	REQ	REQ				••Spacer		1,58 mm
2	ZM2901197	REQ	REQ	REQ	REQ				••Spacer		1,60 mm
2	ZM2901198	REQ	REQ	REQ	REQ				••Spacer		1,64 mm
2	ZM2901199	REQ	REQ	REQ	REQ				••Spacer		1,68 mm
2	VOE11705737	REQ	REQ	REQ	REQ				••Shim		(ZM2901200)1,70 mm
2	ZM2901201	REQ	REQ	REQ	REQ				••Spacer		1,74 mm
2	ZM2901202	REQ	REQ	REQ	REQ				••Spacer		1,78 mm
2	ZM2901203	REQ	REQ	REQ	REQ				••Spacer		1,80 mm
2	VOE11705741	REQ	REQ	REQ	REQ				••Shim		(ZM2901204)1,84 mm
2	ZM2901205	REQ	REQ	REQ	REQ				••Spacer		1,88 mm
2	VOE11705743	REQ	REQ	REQ	REQ				••Shim		(ZM2901206)1,90 mm
2	ZM2901207	REQ	REQ	REQ	REQ				••Spacer		1,94 mm
2	VOE11700462	REQ	REQ	REQ	REQ				••Shim		1,98 mm
3	ZM2904141	1	1	1	1				••Pressure spring		
4	VOE20405525	1	1	1	1				••Bolt		
5	VOE11700430	1	1	1	1				••Washer		(ZM2904142)
6	ZM2904140	1	1	1	1				••Nozzle element		
7	ZM2904143	1	1	1	1				••Clamping nut		
8	VOE11700426	4	4	4	4				Sealing ring		(ZM2290392)
9	ZM2904139	4	4	4	4				Stabilisor		
10	ZM2901217	4	4	4	4				Screw		(ZM2904122)
11	ZM2904751	4	4	4	4				Injection pipes		
12	ZM2908047	1	1	1	1				Leak-off line		(ZM2905337)See footnote 1365)
13	VPE20775904	2	2	2	2				T-piece		See footnote 1365)
14	ZM2908047	1	1	1	1				Leak-off line		See footnote 1365)
15	ZM2908047	2	2	2	2				Leak-off line		(ZM2900414)See footnote 1365)
16	ZM2908047	1	1	1	1				Leak-off line		See footnote 1365)
17	ZM2290388	1	1	1	1				Connecting piece		See footnote 1365)
18	ZM2908047	3	3	3	3				Leak-off line		See footnote 1365)
19	VOE20405864	1	1	1	1				Fuel hose		(ZM2908049)See footnote 1365)
20	ZM2905336	1	1	1	1				Holder ribbon		
21	ZM2904146	1	1	1	1				Fuel pipe		
22	ZM2290272	4	4	4	4		SS		Hollow screw		8
23	ZM5138008	8	8	8	8				Seal		(ZM7099528)A12x18
24	ZM2908264	1	1	1	1				Rubber hose		(ZM2904148)
25	ZM2908264	1	1	1	1				Rubber hose		(ZM2290398)

26	VOE20914426	4	4	4	4				Hose Clamp		(ZM2904147)
----	-------------	---	---	---	---	--	--	--	------------	--	-------------

1365) only 2908047 cpl. deliverable

Date: 2013/11/13	Image id: 00061000	Catalogue: 07518	Model: L35B
Brand: Volvo	Serial: 1862201-1862999, 1872201-1872999, 1882201-1882999, 1892201-1892999	Group/Section: 252/100	Title: Exhaust system -

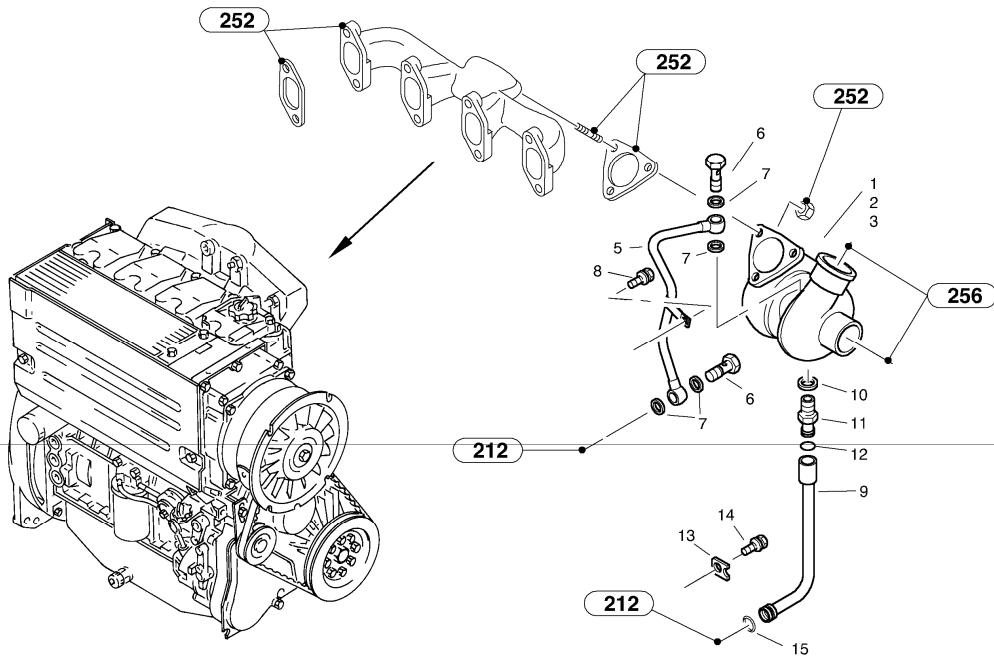


Q1-Q5	Option	Option description	
Q1 1862201-			
Q2 1872201-			
Q3 1882201-			
Q4 1892201-			

Pos	Part	Q1	Q2	Q3	Q4	Q5	PS	Kit	Description	Option(s)	Remark
1	ZM2907513	1	1	1	1				Collecting pipe		(ZM2904411)
2	ZM4083910	4	4	4	4				Stiffener		
3	VOE20481810	8	8	8	8				Screw		(ZM2904037)
4	ZM2904412	8	8	8	8				Bushing		
5	VOE20834041	3	3	3	3				Stud		M8x20
6	ZM2900459	1	1	1	1				Gasket		
7	ZM7098010	3	3	3	3				Nut		M8
8	ZM2810937	1	1	1	1				Exhaust hose		
9	VOE11306075	1	1	1	1				Clamp		58,5
10	VOE13945444	1	1	1	1				Screw		M8x25
12	VOE945408	1	1	1	1		SS		Flange nut		M8
13	ZM2810334	4	4	4	4				Screw		M10x25

14	VOE13960143	4	4	4	4				Washer		
15	VOE13971098	4	4	4	4				Flange nut		M10
16	ZM2810936	1	1	1	1				Muffler		
16A	ZM2878810	1	1	1	1		OP		Catalyser		
16B	VOE11306289	1	1	1	1				Silencer		
17	VOE11306373	1	1	1	1				Sealing moulding		L = 300MM
18	ZM4083930	1	1	1	1				Stiffener		
19	VOE20834041	3	3	3	3				Stud		M8x20
20	ZM7098010	3	3	3	3				Nut		M8
21	VOE11306314	1	1	1	1				Clamp		
22	VOE946329	1	1	1	1				Flange screw		
23	VOE13971095	1	1	1	1				Flange nut		
24	VOE11306290	1	1	1	1				Spark arrester		
25	VOE11306286	1	1	1	1				Cap		
26	ZM2908435	REQ	REQ	REQ	REQ		OP		Gasket compound		

Date: 2013/11/13	Image id: 00011901	Catalogue: 07518	Model: L35B
Brand: Volvo	Serial: 1862201-1862999, 1872201-1872999, 1882201-1882999, 1892201-1892999	Group/Section: 255/100	Title: Exhaust turbo - super charger



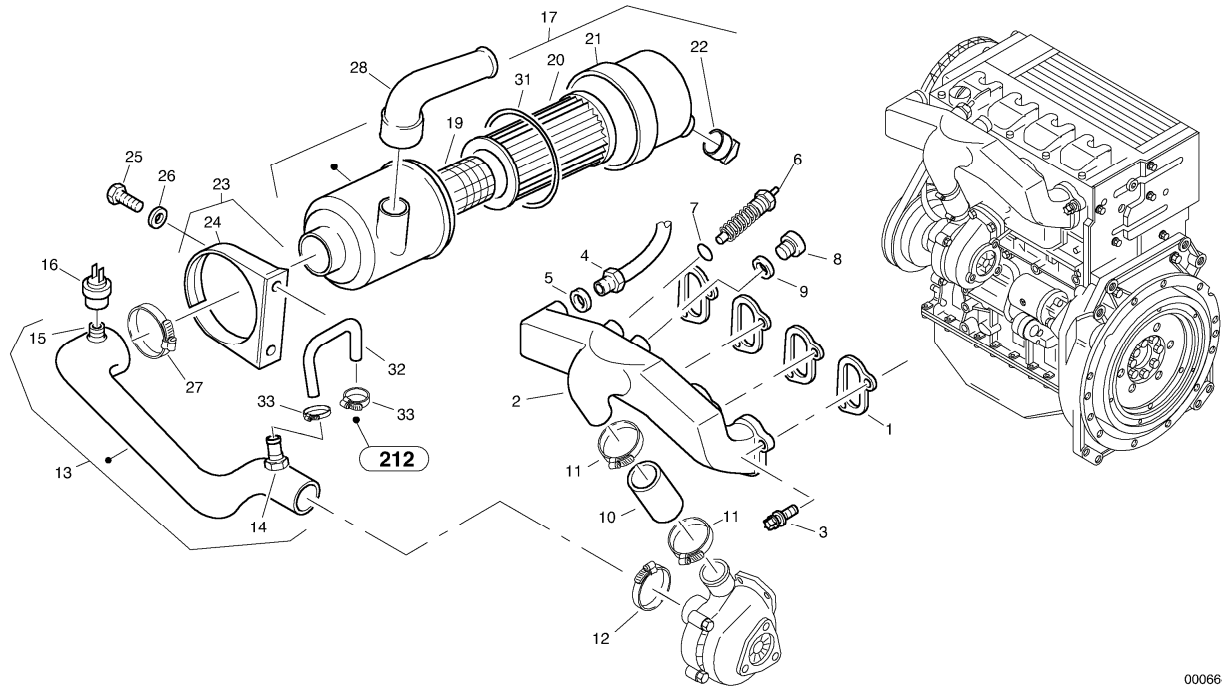
00011901

Q1-Q5	Option	Option description	
Q1 1862201-			
Q2 1872201-			
Q3 1882201-			
Q4 1892201-			

Pos	Part	Q1	Q2	Q3	Q4	Q5	PS	Kit	Description	Option(s)	Remark
1	ZM2904185	1	1	1	1				Exhaust turbo - super cha		
2	ZM2905393	REQ	REQ	REQ	REQ				Repair Kit		
3	ZM2905394	REQ	REQ	REQ	REQ		OP		Fuselage group		
5	ZM2904732	1	1	1	1				Oil Pipe		
6	ZM2290272	2	2	2	2		SS		Hollow screw		8
7	VOE13947282	4	4	4	4				Gasket		(ZM7099538)A12x16
8	ZM2904733	1	1	1	1				Screw		
9	ZM2904764	1	1	1	1				Oil pipe		
10	VOE13947622	1	1	1	1				Plane gasket		(ZM7099500)A16x20
11	VOE20459171	1	1	1	1				Nipple		
12	VOE20459172	1	1	1	1				Sealing ring		

13	ZM2905360	1	1	1	1				Retaining plate		
14	ZM2904733	1	1	1	1				Screw		
15	ZM2904191	1	1	1	1				O-ring		

Date: 2013/11/13	Image id: 00066400	Catalogue: 07518	Model: L35B
Brand: Volvo	Serial: 1862201-1862999, 1872201-1872999, 1882201-1882999, 1892201-1892999	Group/Section: 256/100	Title: Suction system, filter



00066400

Q1-Q5	Option	Option description	
Q1 1862201-			
Q2 1872201-			
Q3 1882201-			
Q4 1892201-			

Pos	Part	Q1	Q2	Q3	Q4	Q5	PS	Kit	Description	Option(s)	Remark
1	ZM2903605	4	4	4	4				Gasket		
2	ZM2905362	1	1	1	1				Suction pipe		
3	VOE3586624	8	8	8	8				Hexagon screw		(ZM2905363)
4	ZM2905386	1	1	1	1				Hose assembly		M10x1
5	ZM7099577	1	1	1	1		SS		Seal		A10x13,5
6	ZM4065780	1	1	1	1				Support		
7	VOE20460026	1	1	1	1				Sealing ring		(ZM7099523)A22x27
8	ZM7099424	1	1	1	1				Screw plug		M22x1,5
9	VOE20460026	1	1	1	1				Sealing ring		(ZM7099523)A22x27
10	ZM4074550	1	1	1	1				Hose connection		
11	ZM4084040	2	2	2	2				Clamp		
12	ZM2060784	1	1	1	1				Clip		AS50-70

Thank you so much for reading.
Please click the “Buy Now!”
button below to download the
complete manual.



After you pay.

You can download the most
perfect and complete manual in
the world immediately.

Our support email:

ebooklibonline@outlook.com