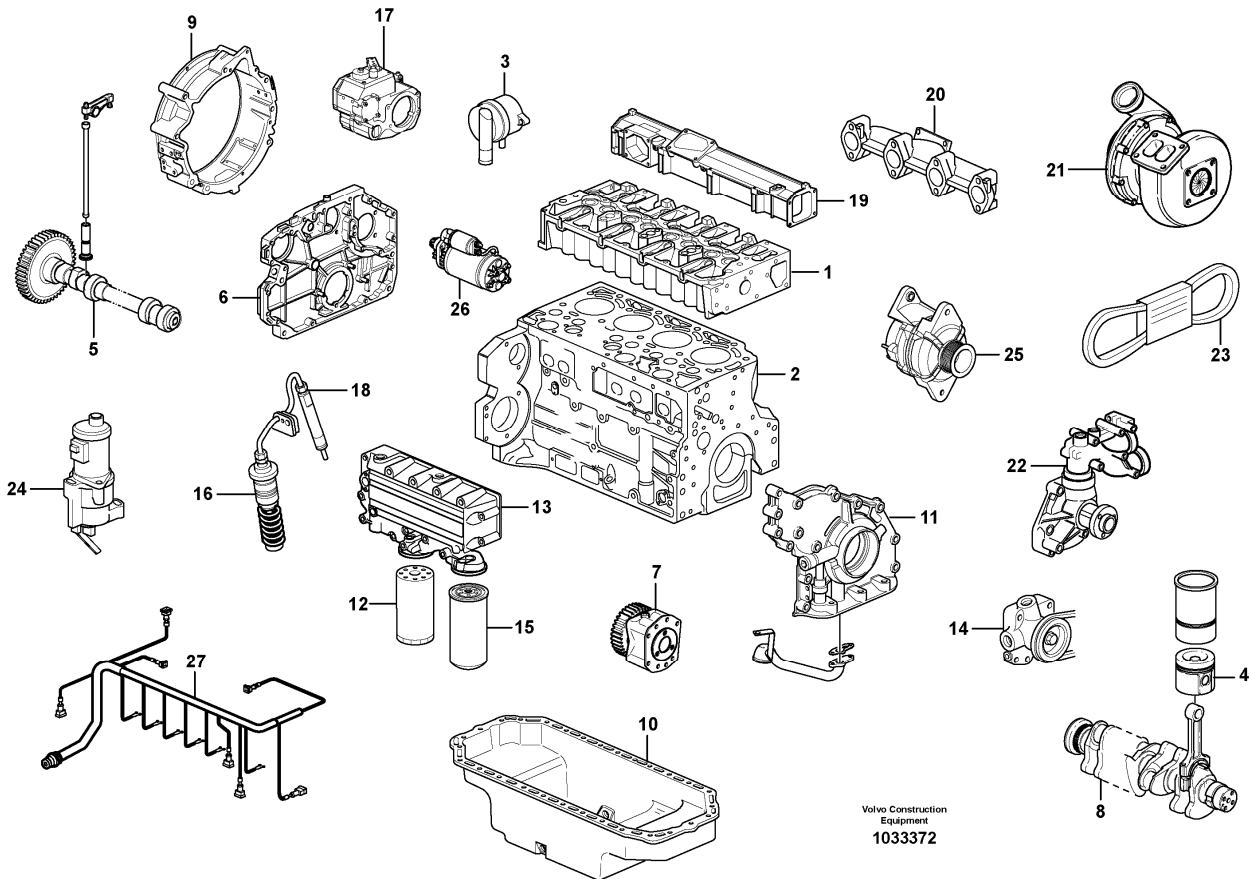


Date: 2013/11/8	Image id: 1033372	Catalogue: 20256	Model: L45F
Brand: Volvo	Serial: 120011-199999, 220011-299999, 1960004-1960500	Group/Section: 210/100	Title: Engine

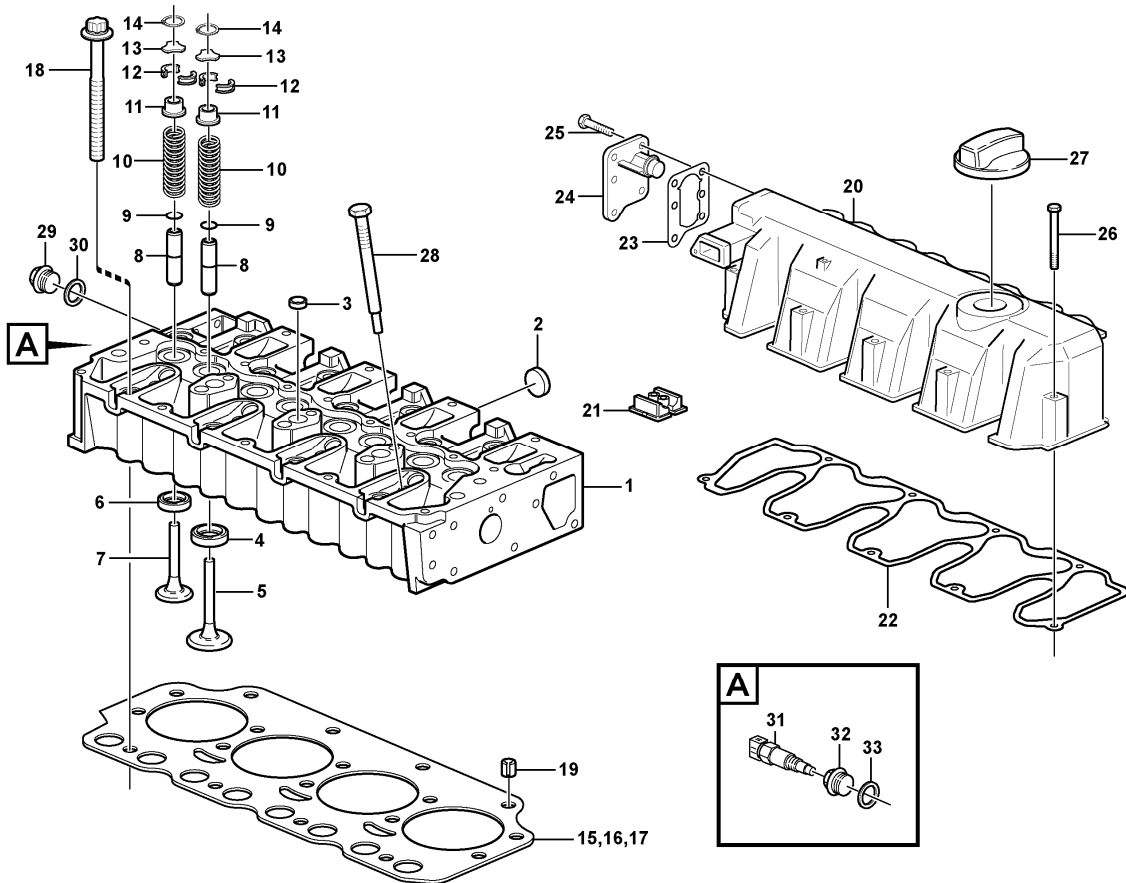


Section option	Kit	Option description
VOE11308145		Engine D5DCAE3

Pos	Part	Q1	Q2	Q3	Q4	Q5	PS	Kit	Description	Option(s)	Remark
	VOE11308145	1							Engine		D5DCAE3
1		1							•Cylinder head		See ref 211/100
2		1							•Crankcase		See ref 212/100
3		1							•Crankcase ventilation		See ref 212/150
4		1							•Piston		See ref 213/100
5		1							•Valve mechanism		See ref 214/100
6		1							•Timing gear casing		See ref 215/100
7		1							•Pump drive		See ref 215/200
8		1							•Crankshaft		See ref 216/100
9		1							•Flywheel Hsg		See ref 216/200

10		1							•Oil sump		See ref 217/100
11		1							•Lubricating system		See ref 221/100
12		1							•Oil filter		See ref 222/100
13		1							•Oil cooler		See ref 223/100
14		1							•Fuel pump		See ref 233/100
15		1							•Fuel Filter		See ref 233/150
16		1							•Injection pump		See ref 236/100
17		1							•Regulator		See ref 236/200
18		1							•Injector		See ref 237/100
19		1							•Inlet Manifold		See ref 251/100
20		1							•Exhaust pipe		See ref 251/100
21		1							•Turbocharger		See ref 255/100
22		1							•Coolant Pump		See ref 262/100
23		1							•Belt Xmsn		See ref 263/100
24		1							•Stop solenoid		See ref 273/100
25		1							•Alternator		See ref 321/100
26		1							•Starter motor		See ref 331/100
27		1							•Cable harness		See ref 371/100

Date: 2013/11/8	Image id: 1035748	Catalogue: 20256	Model: L45F
Brand: Volvo	Serial: 120011-199999, 220011-299999, 1960004-1960500	Group/Section: 211/100	Title: Cylinder head



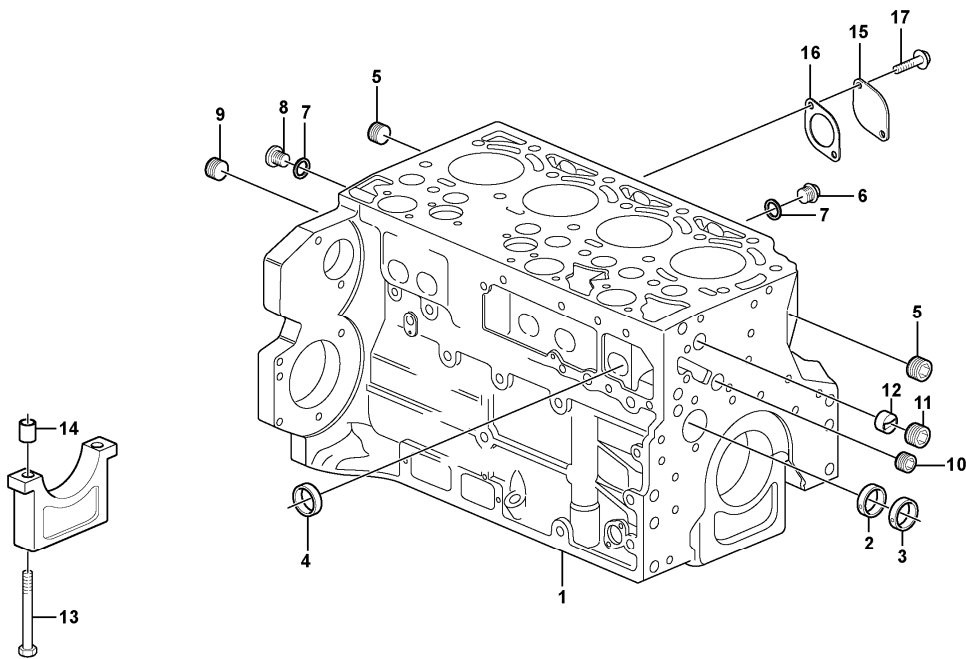
Volvo Construction
Equipment
1035748

Section option	Kit	Option description
VOE11308145		Engine D5DCAE3

Pos	Part	Q1	Q2	Q3	Q4	Q5	PS	Kit	Description	Option(s)	Remark
1	VOE21147059	1							Cylinder head		
2	VOE20799722	3							•Plug		
3	VOE20412733	3							•Core plug		
4	VOE20459962	4							•Valve seat		
5	VOE20758481	4							•Inlet valve		
6	VOE20845144	4							•Valve seat		
7	VOE21739130	4							•Exhaust Valve		(VOE20755883)
8	VOE20405897	8							•Valve guide		
9	VOE11700348	8							•O-ring		
10	VOE11700347	8							•Valve spring		

11	VOE20847155	8							•Retainer		
12	VOE11700345	16							•Valve sleeve		
13	VOE20840807	8							•Thrust Washer		
14	VOE20840772	8							•Snap Ring		
15		1					NS		Cyl Head Gasket		1 BORE THICK = 1,4 MM
16	VOE20970720	1							Cylinder head gasket		2 BORES THICK = 1,5 MM
17	VOE20970725	1							Cylinder head gasket		3 BORES THICK = 1,6 MM
18	VOE11700334	18							Screw		
19	VOE20405521	2							Guide pin		
20	VOE21134652	1							Valve cover		
21	VOE20412600	1							•Cap		
22	VOE20972267	1							•Valve gasket		
23	VOE20840801	1							•Gasket		
24	VOE20933359	1							•Oil Separator		
25	VOE20797542	6							•Screw		
26	VOE21145471	9							Flange screw		
27	VOE20412589	1							Filler cap		
28	VOE21291288	1							Glow plug		(VOE20783049)
29	VOE960628	1							Plug		
30	VOE13947281	1							Gasket		
31	VOE20513340	1							Sensor		SE2606
32	VOE20450683	1							Adapter		
33	VOE13947628	1							Plane gasket		

Date: 2013/11/8	Image id: 1056302	Catalogue: 20256	Model: L45F
Brand: Volvo	Serial: 120011-199999, 220011-299999, 1960004-1960500	Group/Section: 212/100	Title: Cylinder block

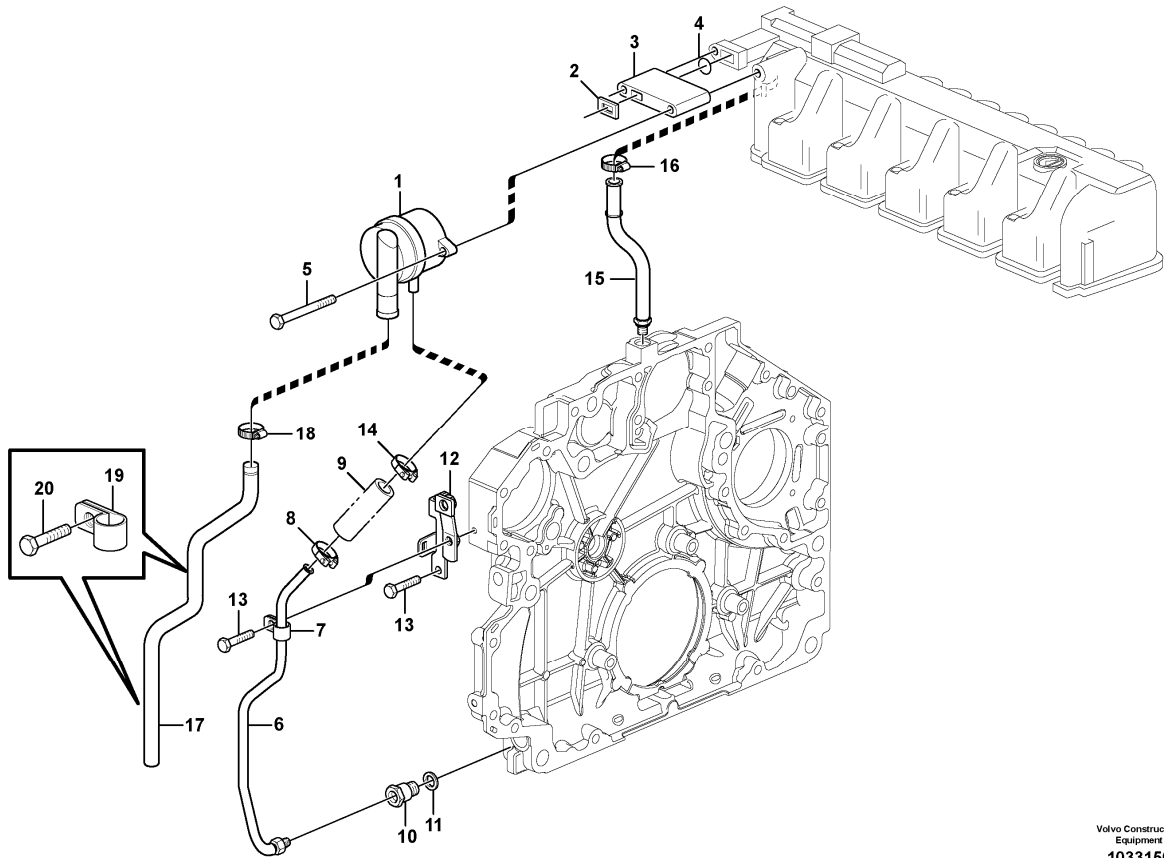


Volvo Construction
Equipment
1056302

Section option	Kit	Option description
VOE11308145		Engine D5DCAE3

Pos	Part	Q1	Q2	Q3	Q4	Q5	PS	Kit	Description	Option(s)	Remark
1	VOE20555442	1							Crankcase		
2	VOE11700285	1							•Bearing bushing		
3	VOE11700284	4							•Bearing bushing		
4	VOE20405721	6							•Core plug		
5	VOE20508600	2							•Plug		
6	VOE20405716	2							•Plug		
7	VOE13969011	4							•Gasket		
8	VOE945065	2							•Plug		
9	VOE20785813	1							•Plug		
10	VOE20405719	1							•Plug		

Date: 2013/11/8	Image id: 1033156	Catalogue: 20256	Model: L45F
Brand: Volvo	Serial: 120011-199999, 220011-299999, 1960004-1960500	Group/Section: 212/150	Title: Crankcase ventilation

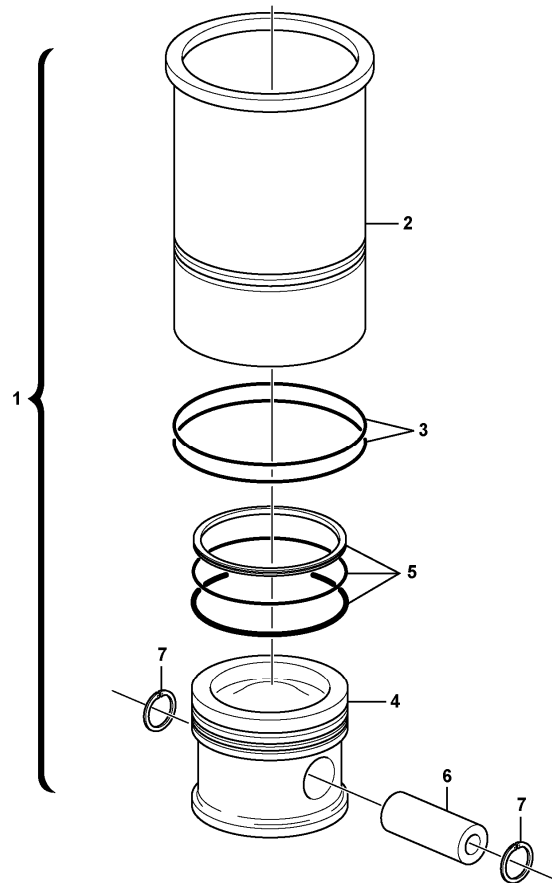


Section option	Kit	Option description
VOE11308145		Engine D5DCAE3

Pos	Part	Q1	Q2	Q3	Q4	Q5	PS	Kit	Description	Option(s)	Remark
1	VOE20930510	1							Pressure regulator		
2	VOE21038626	1							•Gasket		
3	VOE21248205	1							Adapter		
4	VOE21155195	1							Sealing		
5	VOE20792140	2							Hexagon screw		
6	VOE21155219	1							Return line		
7	VOE20798831	1							•Clamp		
8	VOE20405568	2							•Clip		
9	VOE20821091	1					NS		•Rubber hose		
10	VOE20841133	1							Dtt Regulator		

11	VOE20460026	1							Sealing ring		
12	VOE21155220	1							Retaining plate		
13	VOE20405729	2							Screw		
14	VOE20971607	1							Clamp		
15	VOE20971646	1							Oil Return Pipe		
16	VOE20799673	1							Hose Clamp		
17	VOE21155285	1							Tube		
18	VOE20405755	1							Clamping band		
19	VOE20798837	2							Clamp		
20	VOE20405885	2							Screw		

Date: 2013/11/8	Image id: 1026946	Catalogue: 20256	Model: L45F
Brand: Volvo	Serial: 120011-199999, 220011-299999, 1960004-1960500	Group/Section: 213/100	Title: Cylinder liner and piston

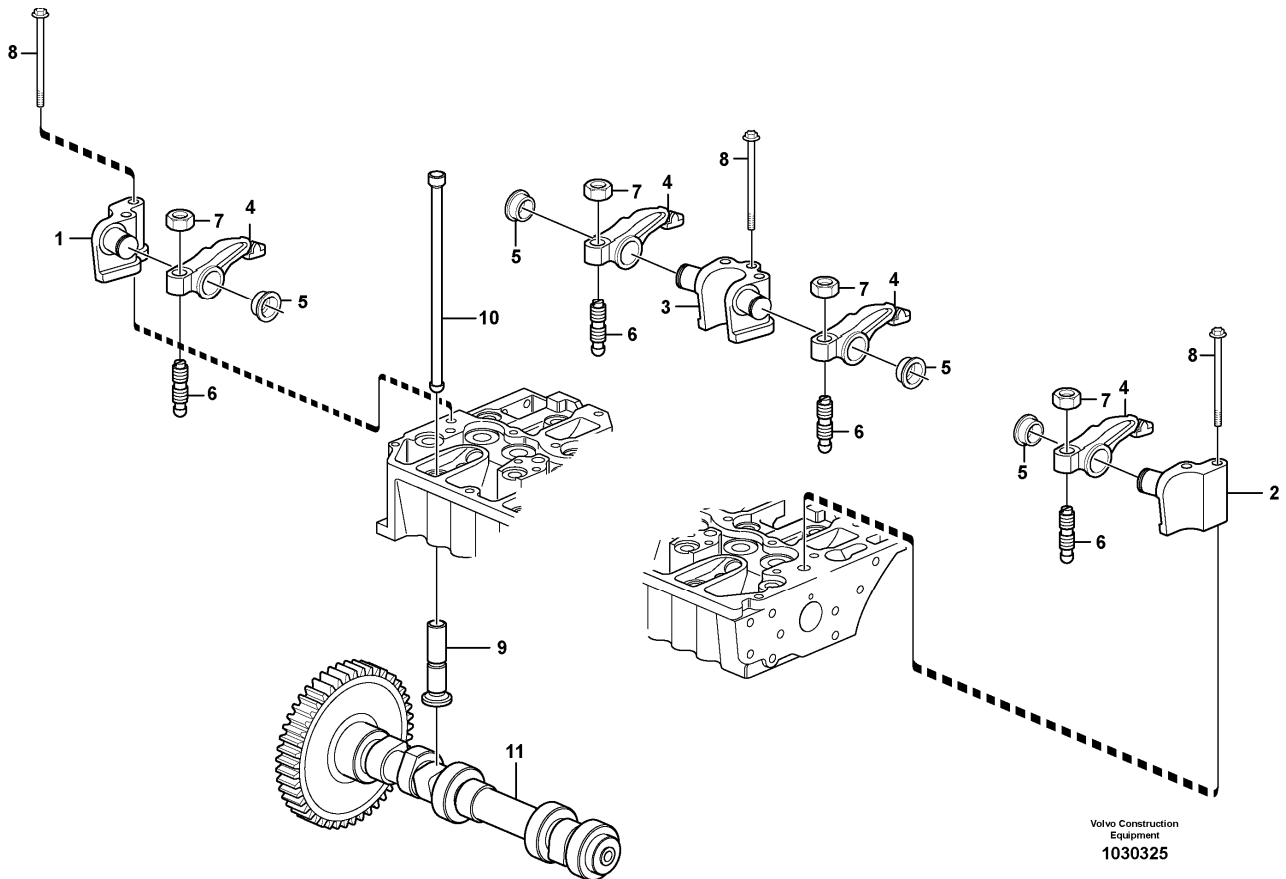


Volvo Construction
Equipment
1026946

Section option	Kit	Option description
VOE11308145		Engine D5DCAE3

Pos	Part	Q1	Q2	Q3	Q4	Q5	PS	Kit	Description	Option(s)	Remark
1	VOE20865990	4							Cyl Liner Kit		
2		4					NS		•Cylinder Liner		
3	VOE20412762	8							•O-ring		
4		4					NS		•Piston		
5	VOE21299547	4							•Piston ring kit		(VOE20450775)
6	VOE20405577	4							•Gudgeon pin		
7	VOE20405576	8							•Retaining ring		

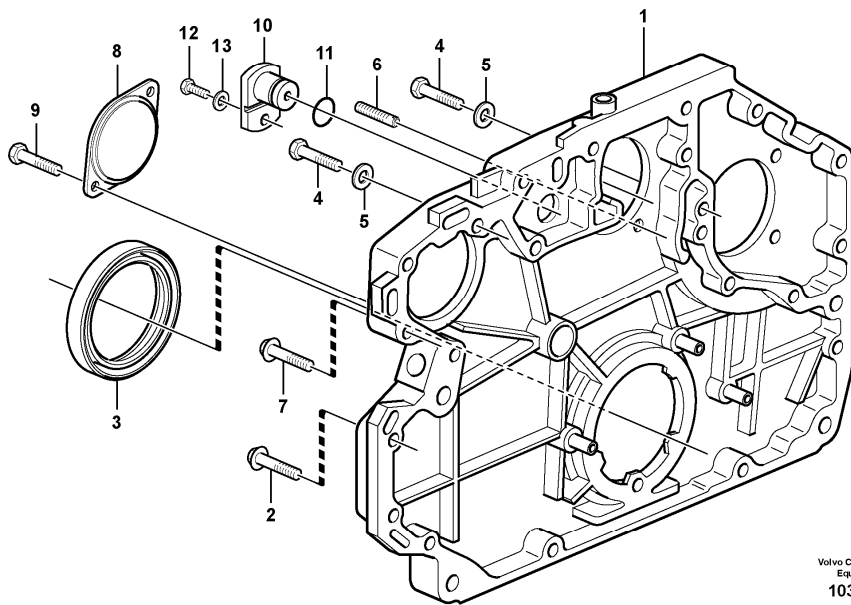
Date: 2013/11/8	Image id: 1030325	Catalogue: 20256	Model: L45F
Brand: Volvo	Serial: 120011-199999, 220011-299999, 1960004-1960500	Group/Section: 214/100	Title: Valve mechanism



Section option	Kit	Option description
VOE11308145		Engine D5DCAE3

Pos	Part	Q1	Q2	Q3	Q4	Q5	PS	Kit	Description	Option(s)	Remark
1	VOE20805520	1							Rkr Arm Shaft		
2	VOE20805512	1							Rkr Arm Shaft		
3	VOE20805516	3							Rkr Arm Shaft		
4	VOE21448926	8							Rocker arm		(VOE20792876)
5	VOE20794115	8							Retaining ring		
6	VOE20913851	8							Adjusting Screw		
7	VOE11700373	8							Nut		
8	VOE20405723	10							Screw		
9	VOE11700366	8							Tappet		
10	VOE20405534	8							Push rod		
11	VOE21271245	1							Camshaft		(VOE21147012)

Date: 2013/11/8	Image id: 1033388	Catalogue: 20256	Model: L45F
Brand: Volvo	Serial: 120011-199999, 220011-299999, 1960004-1960500	Group/Section: 215/100	Title: Timing gear casing

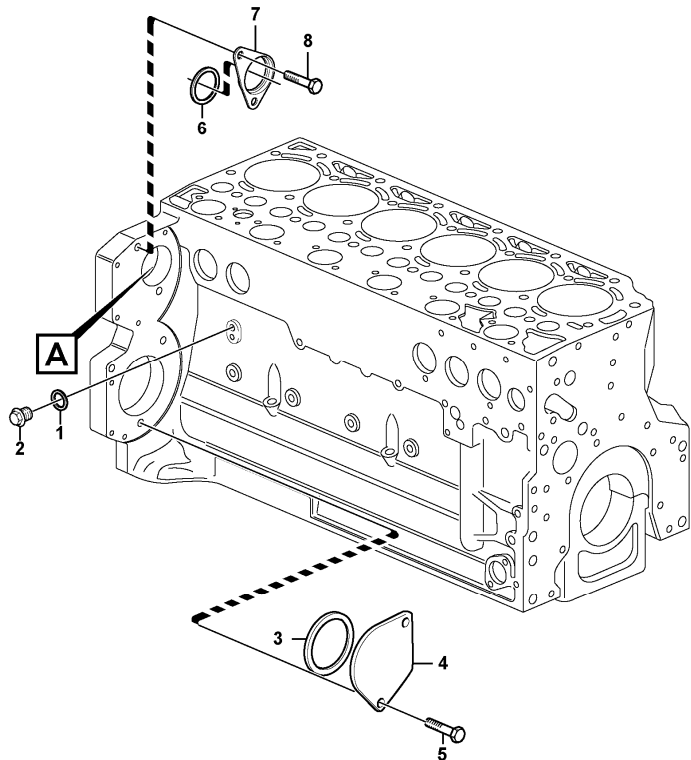
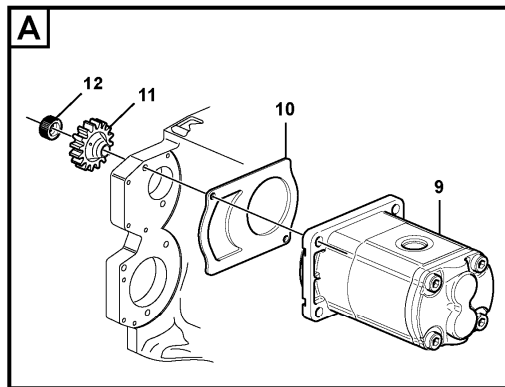


Volvo Construction
Equipment
1033388

Section option	Kit	Option description
VOE11308145		Engine D5DCAE3

Pos	Part	Q1	Q2	Q3	Q4	Q5	PS	Kit	Description	Option(s)	Remark
1	VOE21155415	1							Flywheel housing		
2	VOE20412324	12							Screw		
3	VOE20412286	1							Sealing ring		
4	VOE20405653	2					SS		Screw		
5	VOE13955900	2							Washer		
6	VOE20450795	1							Set screw		
7	VOE20405709	1							Screw		
8	VOE20950063	1							Cover		
9	VOE20405709	2							Screw		
10	VOE20405553	1							Cover		

Date: 2013/11/8	Image id: 1053952	Catalogue: 20256	Model: L45F
Brand: Volvo	Serial: 120011-199999, 220011-299999, 1960004-1960500	Group/Section: 215/200	Title: Pump drive power take-off



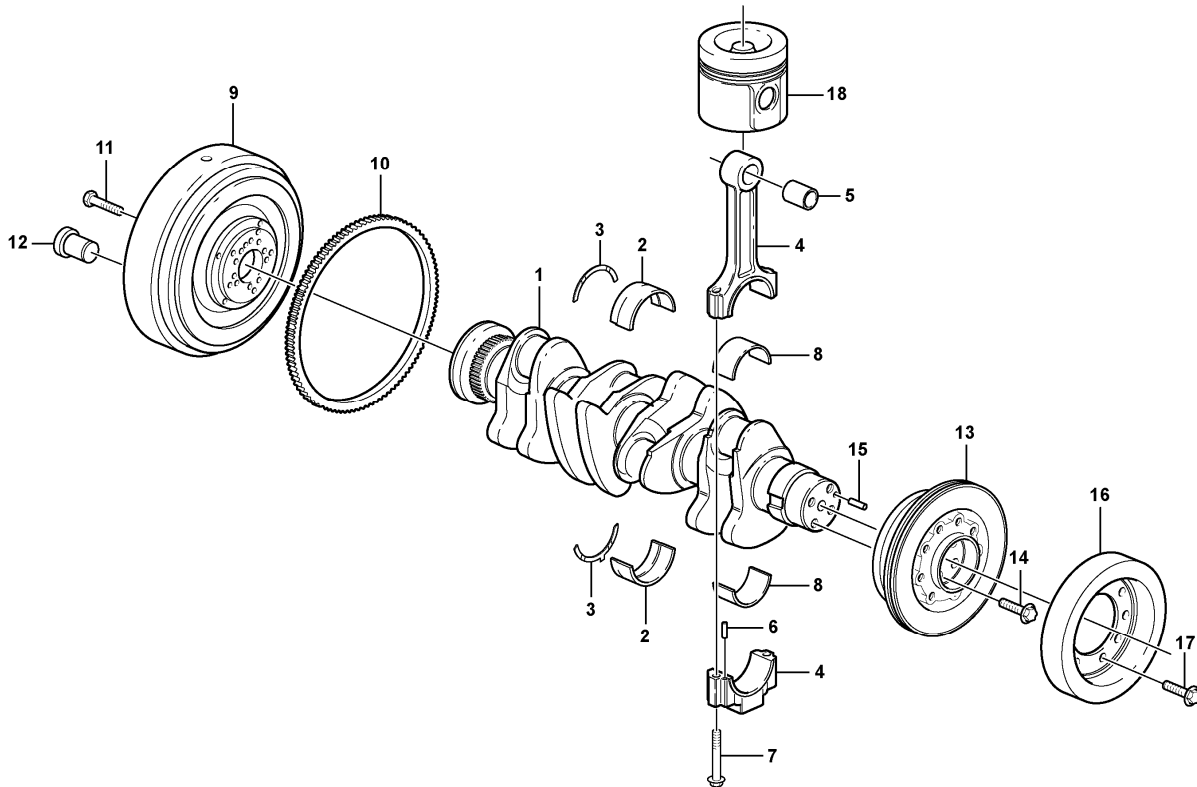
Volvo Construction
Equipment
1053952

Section option	Kit	Option description
VOE11308145		Engine D5DCAE3

Pos	Part	Q1	Q2	Q3	Q4	Q5	PS	Kit	Description	Option(s)	Remark
1	VOE13947621	1							Plane gasket		
2	VOE20405716	1							Plug		
3	VOE20412359	1							Sealing ring		
4	VOE24426064	1							Cover		
5	VOE888289	2							Hexagon screw		
6	VOE20580547	1							Sealing ring		
7	VOE20580550	1					NS		Cover		
8	VOE888289	2							Hexagon screw		
9		1							Fan Motor		See ref 913/100
10		1							Gasket		See ref 913/100

11	VOE20940389	1							Gear		
12	VOE20460512	1							Nut		W/O PUMP DRIVE
12	VOE20464472	1							Nut		WITH PUMP DRIVE

Date: 2013/11/8	Image id: 1033188	Catalogue: 20256	Model: L45F
Brand: Volvo	Serial: 120011-199999, 220011-299999, 1960004-1960500	Group/Section: 216/100	Title: Crankshaft and related parts



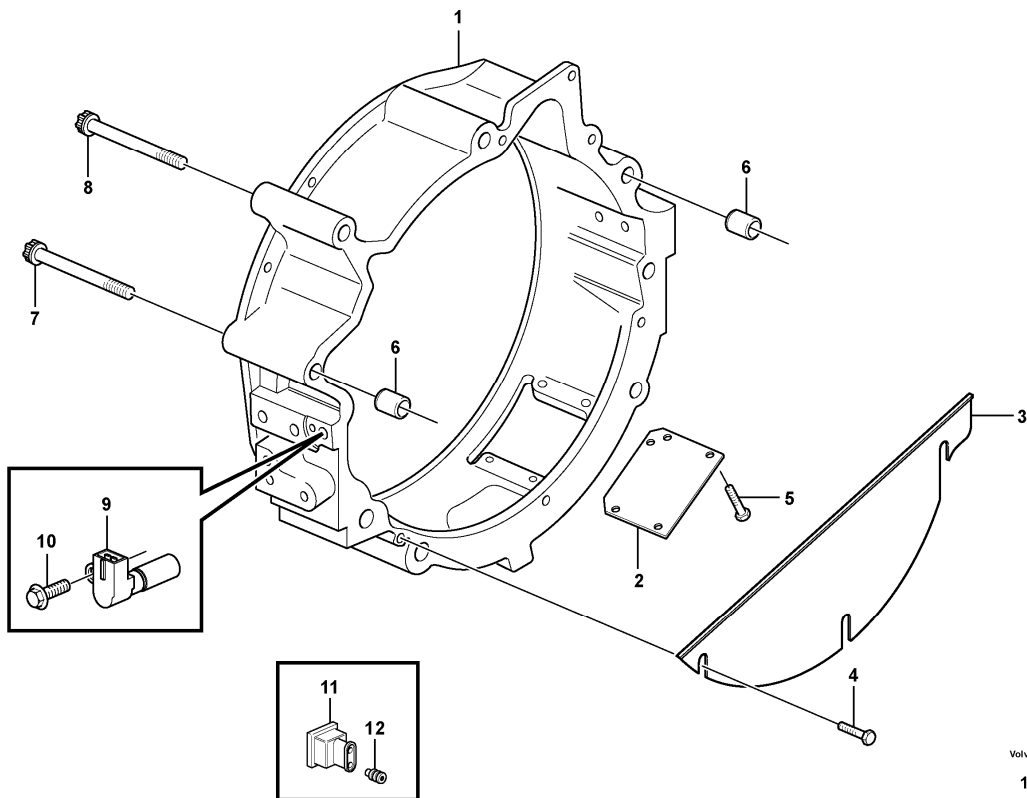
Volvo Construction
Equipment
1033188

Section option	Kit	Option description
VOE11308145		Engine D5DCAE3

Pos	Part	Q1	Q2	Q3	Q4	Q5	PS	Kit	Description	Option(s)	Remark
1	VOE20900811	1							Crankshaft		
2	VOE21141948	5							Main bearing		STD 85,00 MM
2	VOE21234191	REQ							Main bearing		(VOE20405529)U SZ 84,75 MM
2	VOE20405541	REQ							Main bearing		U SZ 84,50 MM
3	VOE21141955	8							Raceway washer		STD 2,9 MM
3	VOE21141963	REQ							Raceway washer		3,1 MM
4	VOE20585982	4							Connecting Rod		
5	VOE11700325	4							•Bushing		
6	VOE20459134	8							•Pin		
7	VOE11700326	8							•Bolt		

8	VOE20766790	4							Big-end Bearing		STD 68,00 MM
8	VOE20790423	REQ							Big-end Bearing		U SZ 67,75 MM
8	VOE20790428	REQ							Big-end Bearing		U SZ 67,50 MM
9	VOE20459128	1							Flywheel		
10	VOE21033328	1							•Gear Ring		
11	VOE20405654	10							Bolt		
12	VOE20405643	1							Plug		
13	VOE20515162	1							Pulley		
14	VOE20405724	4							Screw		
15	VOE20405634	1							Spring pin		
16	VOE20459925	1							Vibration absorber		
17	VOE993357	9							Flange screw		
18		1							Piston		See ref 213/100

Date: 2013/11/8	Image id: 1035747	Catalogue: 20256	Model: L45F
Brand: Volvo	Serial: 120011-199999, 220011-299999, 1960004-1960500	Group/Section: 216/200	Title: Flywheel housing

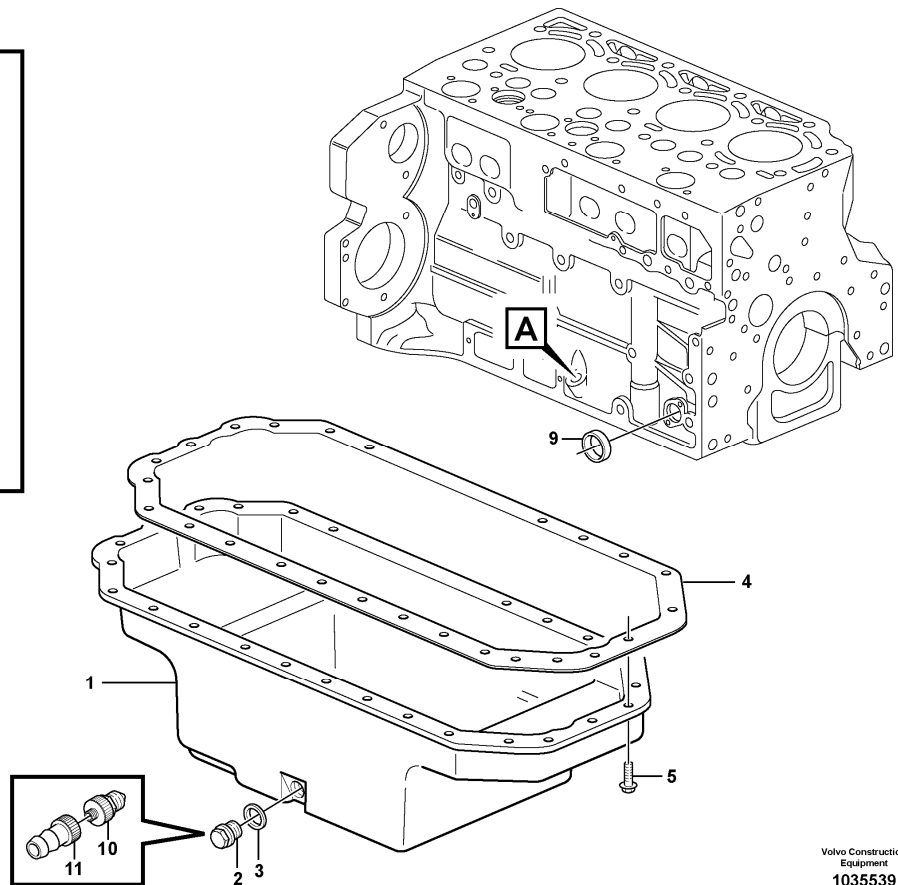
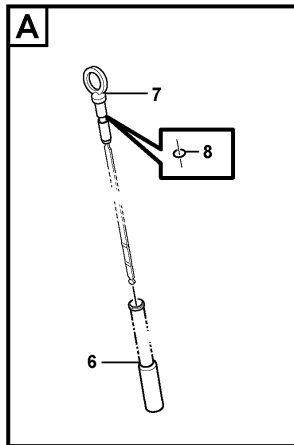


Volvo Construction
Equipment
1035747

Section option	Kit	Option description
VOE11308145		Engine D5DCAE3

Pos	Part	Q1	Q2	Q3	Q4	Q5	PS	Kit	Description	Option(s)	Remark
1	VOE20580535	1							Housing		
2	VOE20547288	1							Cover Plate		
3	VOE20459989	1							Cover		
4	VOE20405729	3							Screw		
5	VOE20405729	4							Screw		
6	VOE20585971	2							Bushing		
7	VOE20405714	2							Screw		M12X160
8	VOE20405715	4							Screw		M16X150
9	VOE20964264	1							Sensor		(VOE20511126)SE2701
10	VOE20405729	1							Screw		

Date: 2013/11/8	Image id: 1035539	Catalogue: 20256	Model: L45F
Brand: Volvo	Serial: 120011-199999, 220011-299999, 1960004-1960500	Group/Section: 217/100	Title: Oil sump

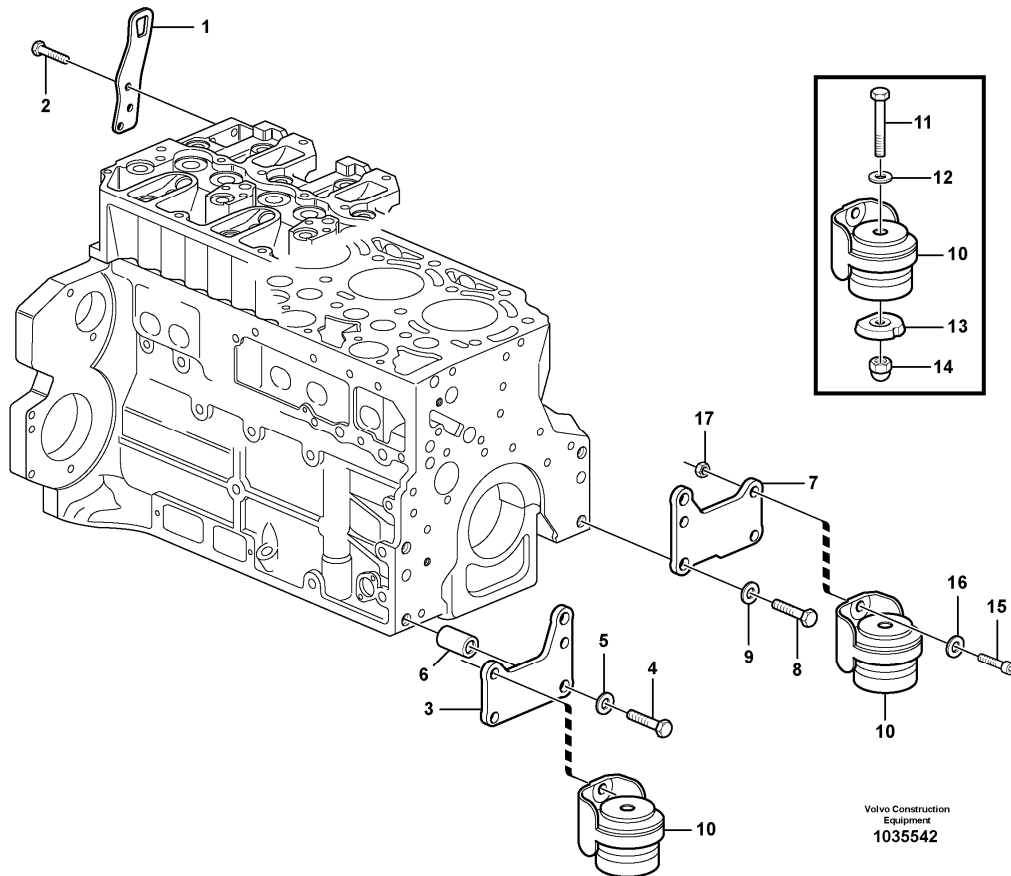


Volvo Construction
Equipment
1035539

Section option	Kit	Option description
VOE11308145		Engine D5DCAE3

Pos	Part	Q1	Q2	Q3	Q4	Q5	PS	Kit	Description	Option(s)	Remark
1	VOE11700301	1							Oil pan		
2	VOE20405506	1							•Plug		
3	VOE13947624	2							•Plane gasket		
4	VOE20405843	1							Gasket		
5	VOE20405792	26							Screw		
6	VOE20450869	1							Guide tube		
7	VOE21153138	1							Dipstick		
8	VOE20412343	1							•Sealing ring		
9	VOE20412745	1							Core plug		
10	VOE20450851	1							Drain valve		

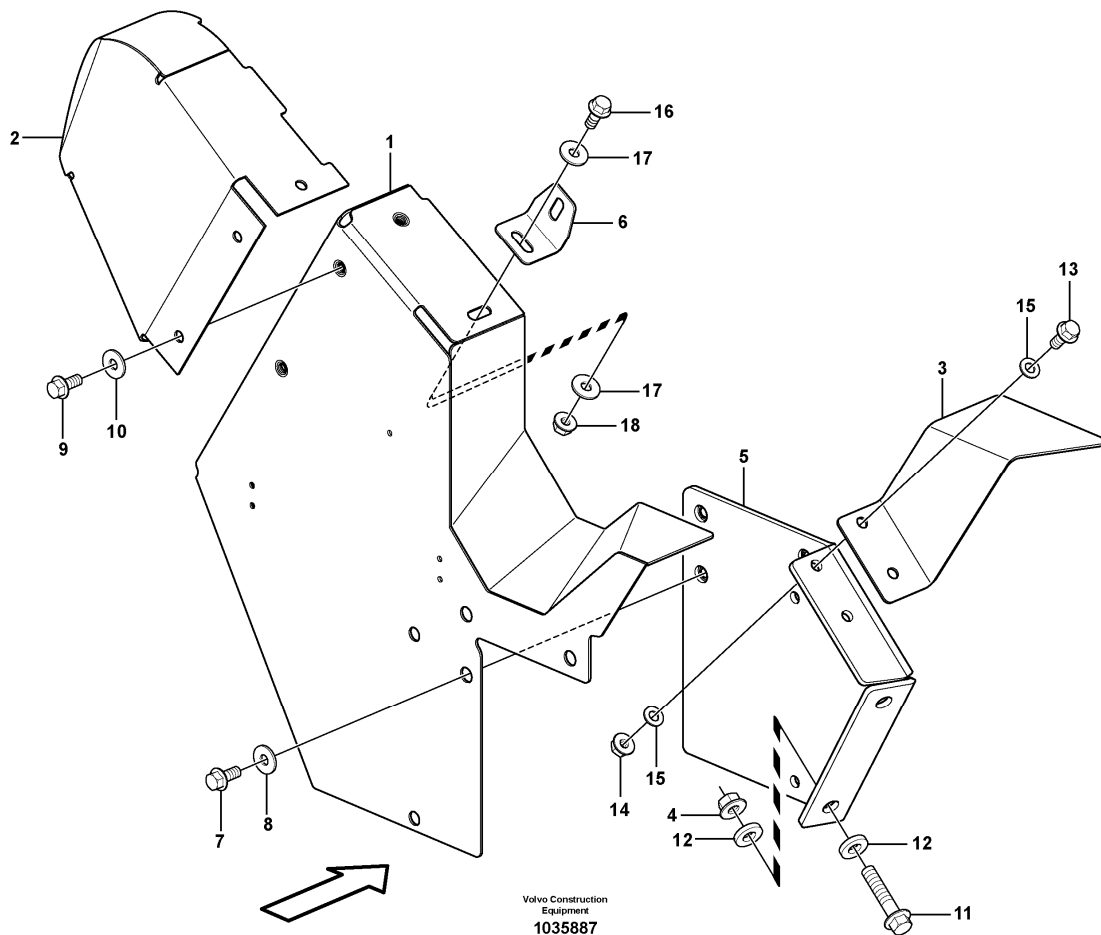
Date: 2013/11/8	Image id: 1035542	Catalogue: 20256	Model: L45F
Brand: Volvo	Serial: 120011-199999, 220011-299999, 1960004-1960500	Group/Section: 218/100	Title: Engine mounting



Section option	Kit	Option description
VOE11308145		Engine D5DCAE3

Pos	Part	Q1	Q2	Q3	Q4	Q5	PS	Kit	Description	Option(s)	Remark
1	VOE20450854	2					OP		Lifting eye		
2	VOE20450756	6							Screw		
3	VOE20723984	2							Bracket		
4	VOE980465	4							Hexagon screw		
5	VOE20405606	4							Washer		
6	VOE20580517	4							Bushing		
7	VOE20723978	2							Bracket		
8	VOE20535027	4							Screw		
9	VOE20405606	4							Washer		
10	VOE20580444	4							Engine Mounting		

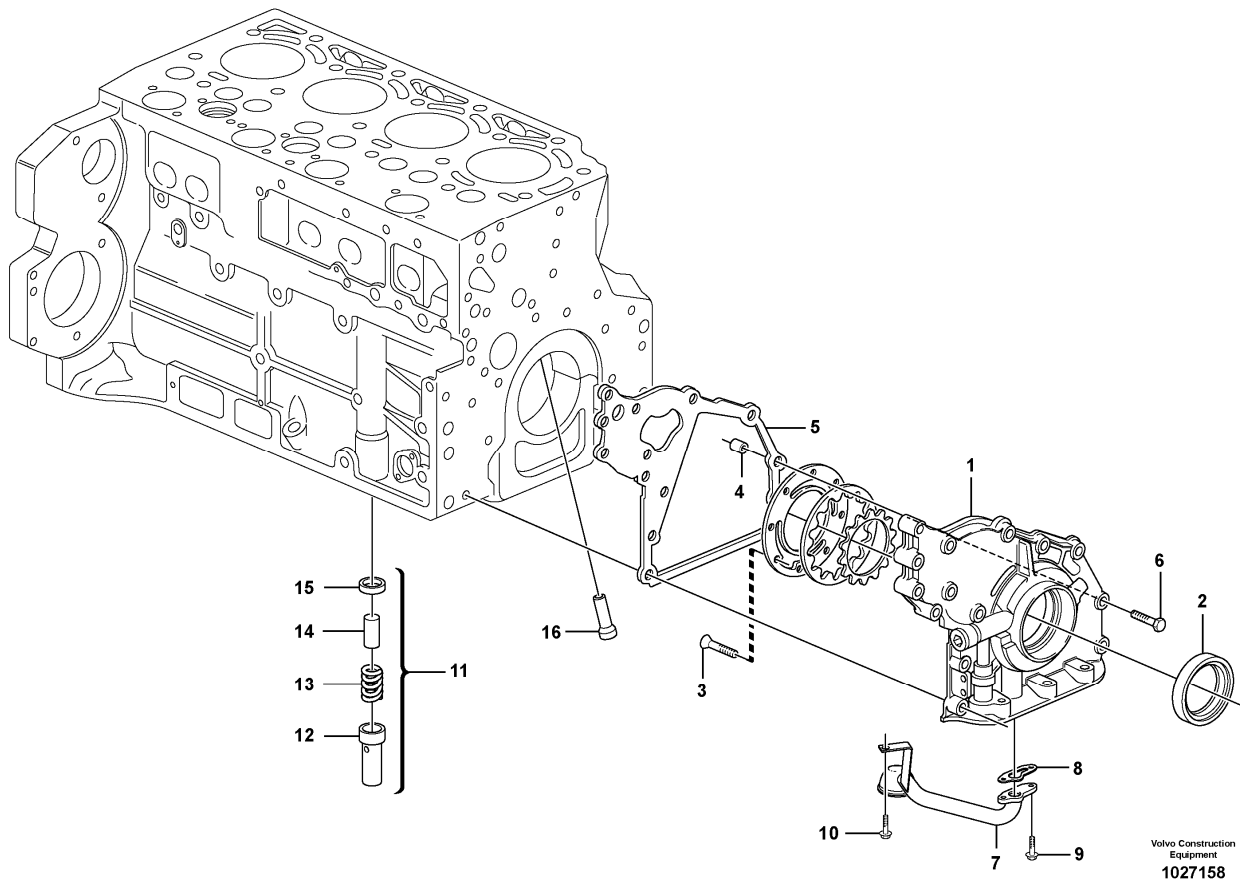
Date: 2013/11/8	Image id: 1035887	Catalogue: 20256	Model: L45F
Brand: Volvo	Serial: 120011-199999, 220011-299999, 1960004-1960500	Group/Section: 218/200	Title: Engine mounting



Section option	Kit	Option description
VOE11390006		Wheel Loader L45F TPS
VOE11390005		Wheel Loader L45F TP
VOE11390026		Wheel Loader L45F TP S/N 120011 -
VOE11390028		Wheel Loader L45F TPS S/N 320011 -

Pos	Part	Q1	Q2	Q3	Q4	Q5	PS	Kit	Description	Option(s)	Remark
1	VOE11309519	1							Belt protector		
2	VOE11309520	1							Belt protector		
3	VOE15214380	1							Plate		
4	VOE13971095	2							Flange nut		
5	VOE15200457	1							Cover		
6	VOE15200142	1							Bracket		
7	VOE13946173	3							Screw		

Date: 2013/11/8	Image id: 1027158	Catalogue: 20256	Model: L45F
Brand: Volvo	Serial: 120011-199999, 220011-299999, 1960004-1960500	Group/Section: 221/100	Title: Lubricating oil system

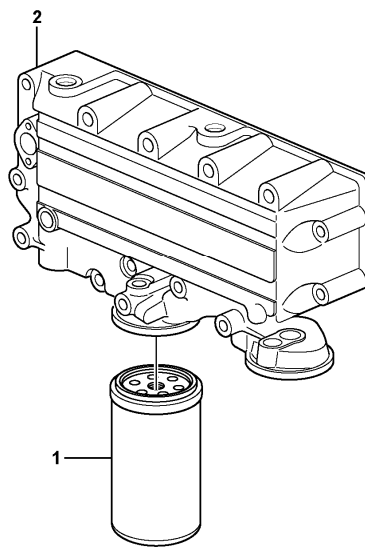


Section option	Kit	Option description
VOE11308145		Engine D5DCAE3

Pos	Part	Q1	Q2	Q3	Q4	Q5	PS	Kit	Description	Option(s)	Remark
1	VOE21600195	1							Oil pump housing		(VOE20882047)
2	VOE20412568	1							•Sealing ring		
3	VOE20451738	8							•Screw		
4	VOE20405603	1							Spring pin		
5	VOE20742661	1							Gasket		
6	VOE20412324	14							Screw		
7	VOE20405635	1							Suction pipe		
8	VOE20405888	1							Gasket		
9	VOE13949578	2							Screw		
10	VOE20405792	1							Screw		

11	VOE11700271	1							Delivery valve		
12	VOE20405937	1							•Sleeve		
13	VOE20405896	1							•Compression spring		
14	VOE20405936	1					OP		•Valve		
15	VOE20405904	1							•Ring		
16	VOE20405561	4							Piston		

Date: 2013/11/8	Image id: 1033249	Catalogue: 20256	Model: L45F
Brand: Volvo	Serial: 120011-199999, 220011-299999, 1960004-1960500	Group/Section: 222/100	Title: Oil filter

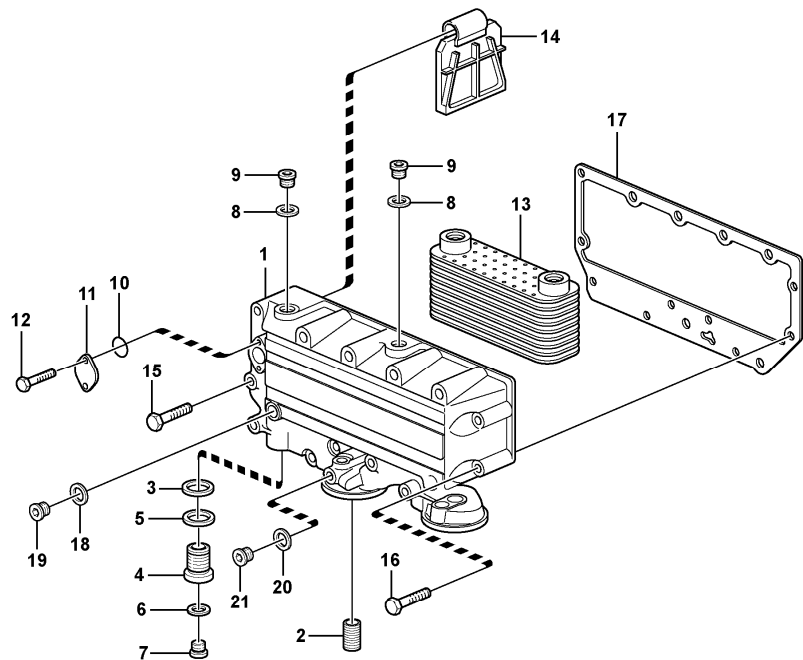


Volvo Construction
Equipment
1033249

Section option	Kit	Option description
VOE11308145		Engine D5DCAE3

Pos	Part	Q1	Q2	Q3	Q4	Q5	PS	Kit	Description	Option(s)	Remark
1	VOE3831236	1							Oil filter		
2		1							Housing		See ref 223/100

Date: 2013/11/8	Image id: 1026992	Catalogue: 20256	Model: L45F
Brand: Volvo	Serial: 120011-199999, 220011-299999, 1960004-1960500	Group/Section: 223/100	Title: Oil cooler



Volvo Construction
Equipment
1026992

Section option	Kit	Option description
VOE11308145		Engine D5DCAE3

Pos	Part	Q1	Q2	Q3	Q4	Q5	PS	Kit	Description	Option(s)	Remark
1	VOE20797236	1							Housing		
2	VOE20405758	1							•Bushing		
3	VOE13947628	2							Plane gasket		
4	VOE20405752	2							Screw		
5	VOE20405569	2							•Sealing		
6	VOE20405578	2							Sealing ring		
7	VOE20549897	2							Plug		
8	VOE13947628	2							Plane gasket		
9	VOE20459195	2							Plug		
10	VOE20405599	1							Sealing ring		

Thank you so much for reading.
Please click the “Buy Now!”
button below to download the
complete manual.



After you pay.

You can download the most
perfect and complete manual in
the world immediately.

Our support email:

ebooklibonline@outlook.com