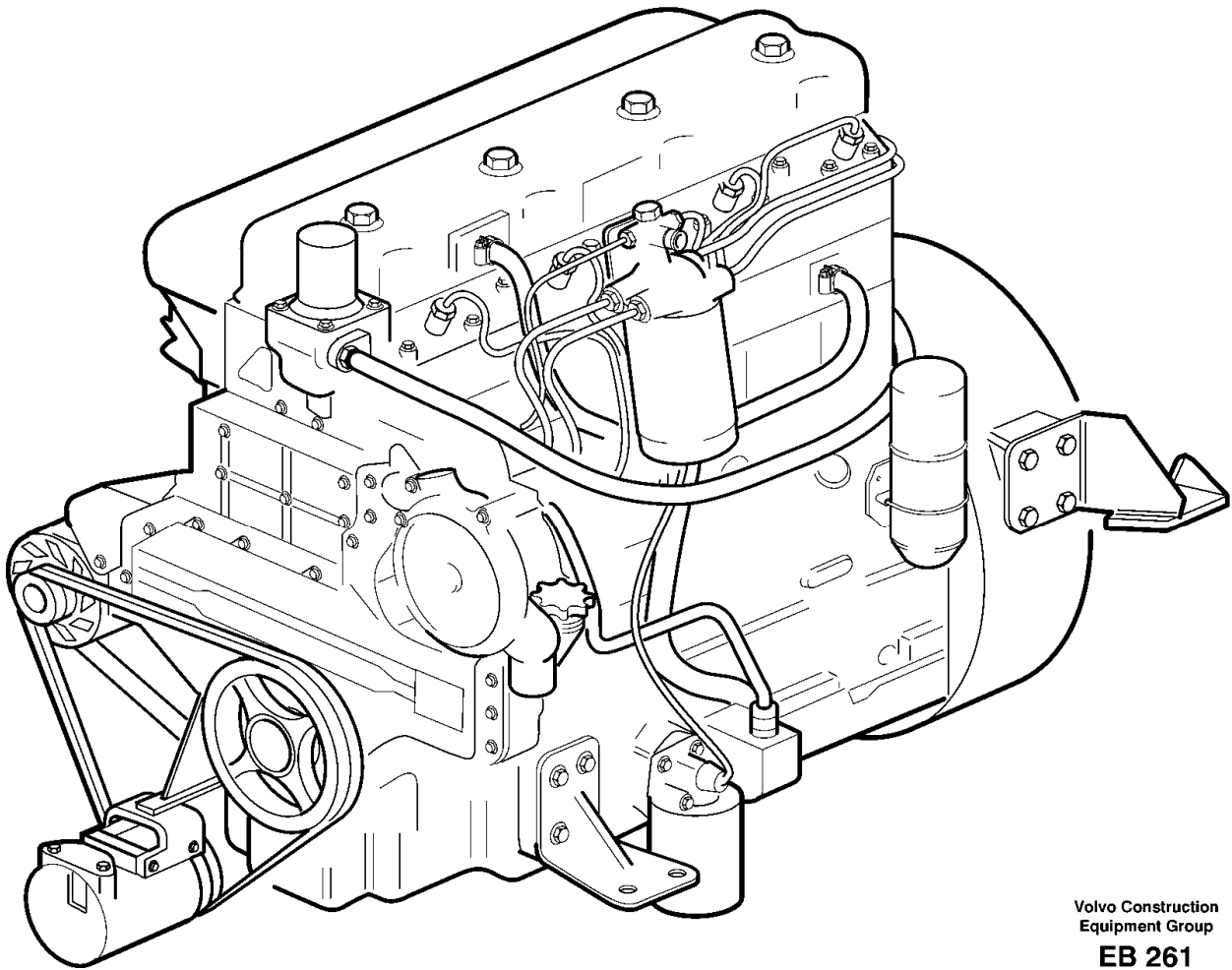


| | | | |
|---------------------------|---|----------------------------------|---------------------------------|
| Date: 2014/1/24 | Image id: EB261 | Catalogue: 97809 | Model: L50D |
| Brand: Volvo | Serial: 13002-14059, 36001-36002, 70101-70372 | Group/Section: 210/150 | Title: Engine TD40GJE |



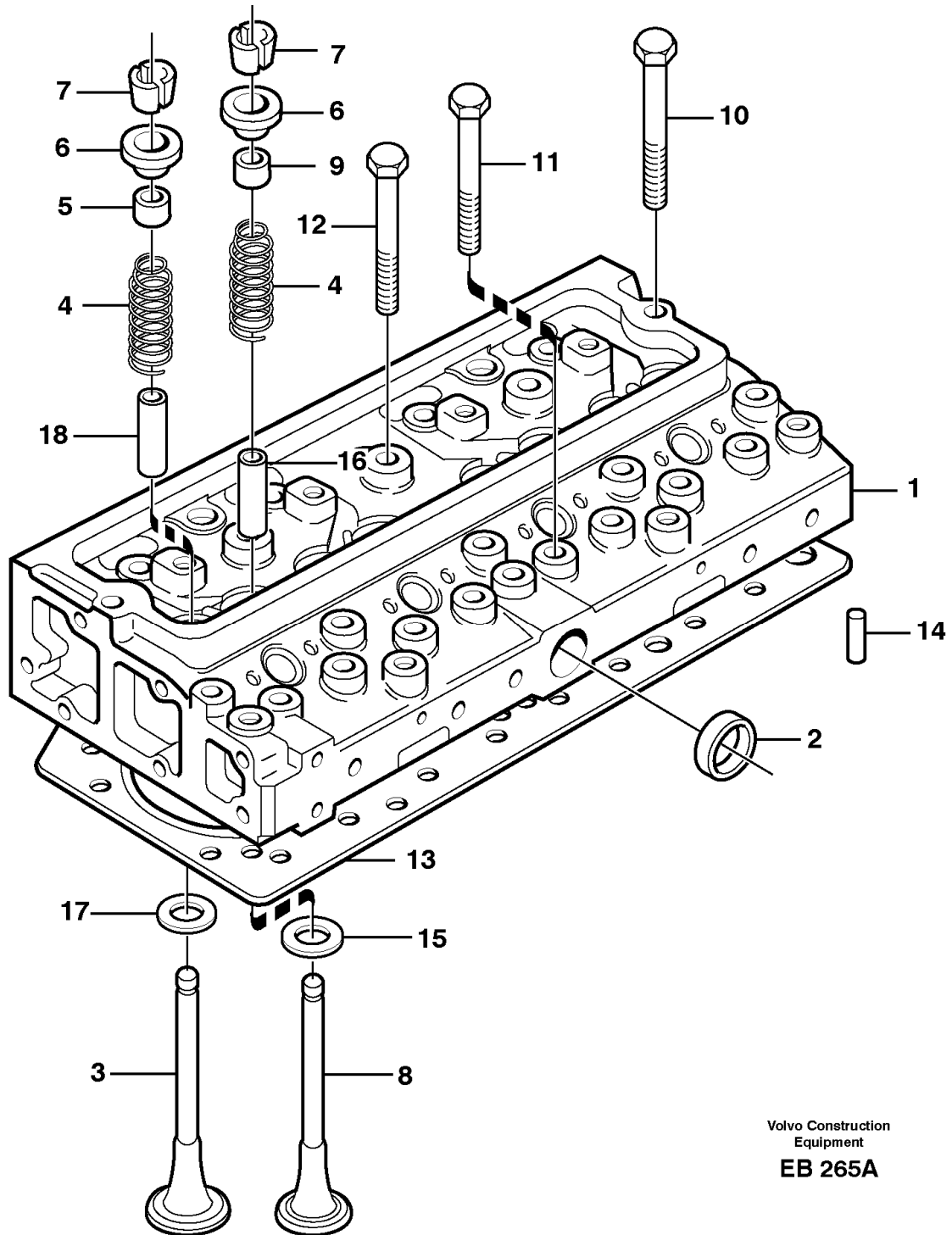
Volvo Construction
Equipment Group
EB 261

| Section option | Kit | Option description |
|----------------|-----|-----------------------------|
| VOE11147723 | | Low emission engine TD40GJE |

| Q1-Q5 | Option | Option description | |
|-------------|-------------|-----------------------------|--|
| Q1 11147723 | VOE11147723 | Low emission engine TD40GJE | |

| Pos | Part | Q1 | Q2 | Q3 | Q4 | Q5 | PS | Kit | Description | Option(s) | Remark |
|-----|-------------|----|----|----|----|----|----|-----|-------------|-----------|---------|
| | VOE11147723 | 1 | | | | | | | Engine | | TD40GJE |

| | | | |
|---------------------------|---|----------------------------------|--------------------------------|
| Date: 2014/1/24 | Image id: EB265A | Catalogue: 97809 | Model: L50D |
| Brand: Volvo | Serial: 13002-14059, 36001-36002, 70101-70372 | Group/Section: 211/100 | Title: Cylinder head |

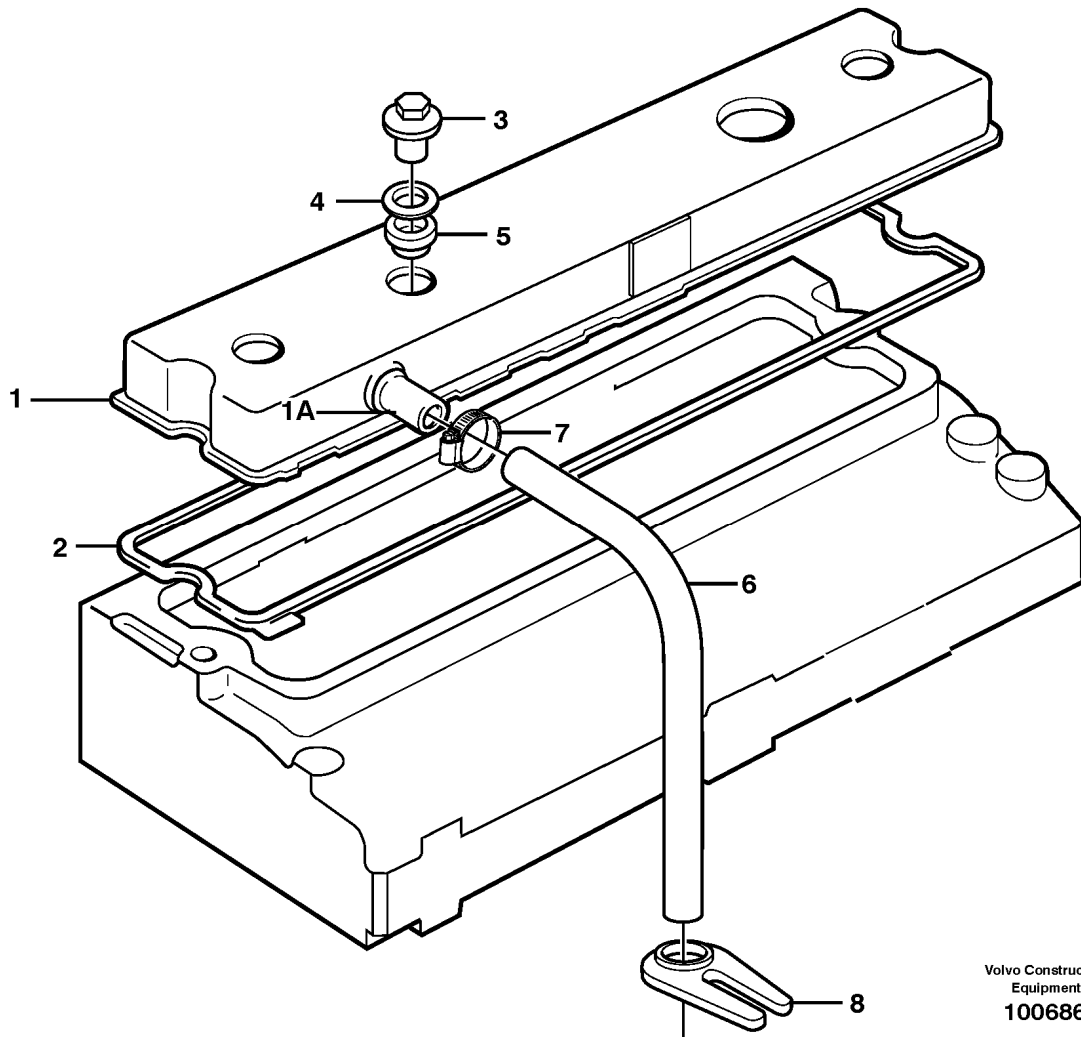


Volvo Construction
Equipment
EB 265A

| Pos | Part | Q1 | Q2 | Q3 | Q4 | Q5 | PS | Kit | Description | Option(s) | Remark |
|-----|------|----|----|----|----|----|----|-----|-------------|-----------|--------|
|-----|------|----|----|----|----|----|----|-----|-------------|-----------|--------|

| | | | | | | | | | | | |
|----|-------------|----|--|--|--|--|----|--|----------------------|--|---------------|
| | VOE11706970 | | | | | | | | Cylinder head | | |
| 1 | | | | | | | NS | | •Cylinder head | | |
| 2 | VOE483898 | 1 | | | | | | | •Plug | | |
| 3 | VOE3976536 | 4 | | | | | | | •Valve | | INLET |
| 4 | VOE3976538 | 8 | | | | | | | •Valve spring | | (VOE11703876) |
| 5 | VOE11703877 | 4 | | | | | | | •Valve seal | | |
| 6 | VOE3976540 | 8 | | | | | | | •Valve spring washer | | |
| 7 | VOE3976541 | 16 | | | | | | | •Valve sleeve | | |
| 8 | VOE11703878 | 4 | | | | | | | •Exhaust valve | | EXHAUST |
| 9 | VOE11703879 | 4 | | | | | | | •Valve seal | | |
| 10 | VOE11997844 | 2 | | | | | | | •Screw | | |
| 11 | VOE11997845 | 8 | | | | | | | •Bolt | | |
| 12 | VOE11997846 | 12 | | | | | | | •Bolt | | |
| 13 | VOE3976803 | 1 | | | | | | | •Gasket | | (VOE11704237) |
| 14 | VOE950562 | 2 | | | | | | | •Pin | | |
| 15 | VOE3976535 | 4 | | | | | | | •Valve seat | | |
| 16 | VOE11706969 | 4 | | | | | | | •Valve guide | | |
| 17 | VOE3976534 | 4 | | | | | | | •Valve seat | | |
| 18 | VOE11708520 | 4 | | | | | | | •Valve guide | | |
| | VOE11039194 | 1 | | | | | | | Temperature sensor | | SE205 |

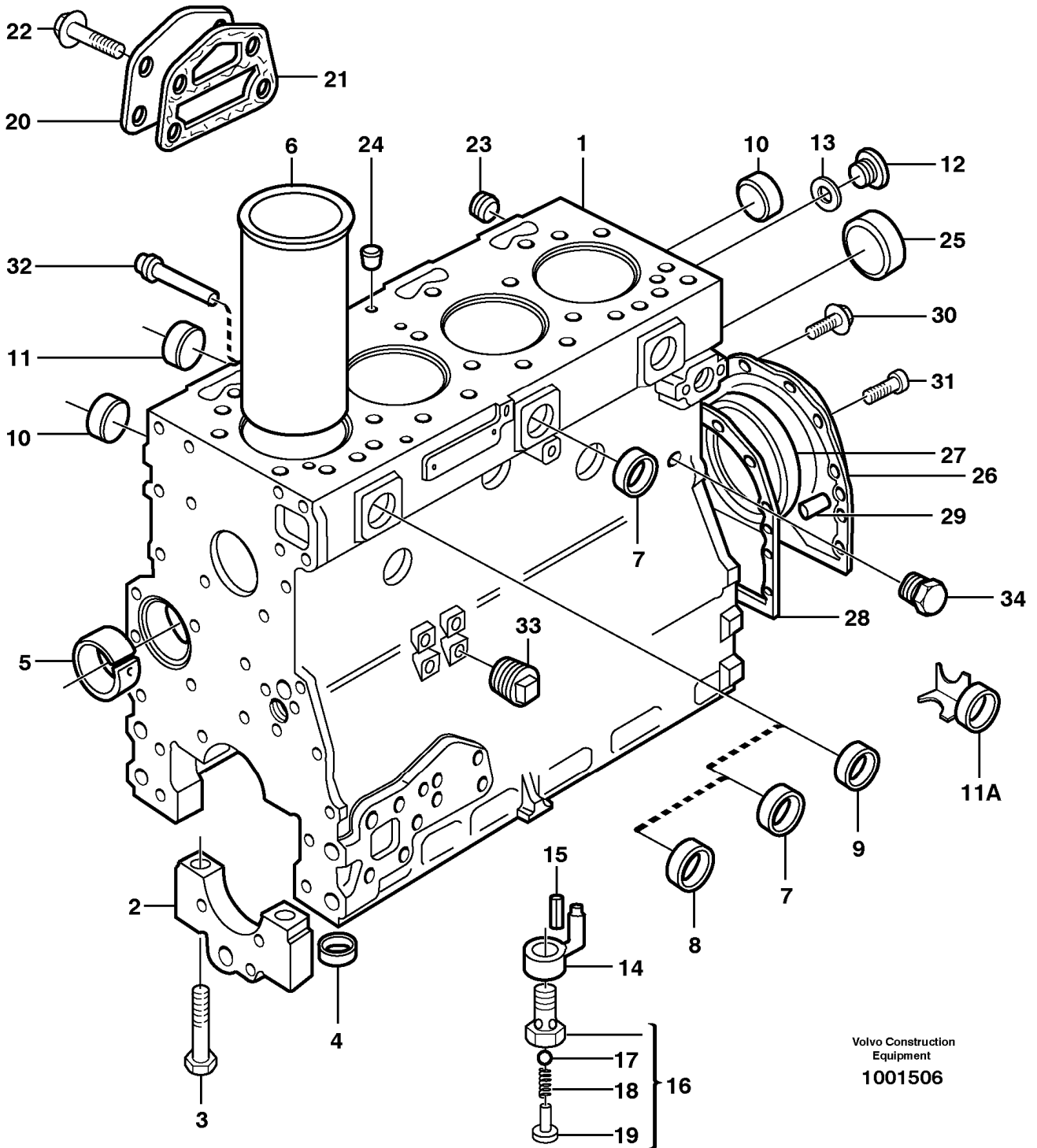
| | | | |
|---------------------------|---|----------------------------------|------------------------------|
| Date: 2014/1/24 | Image id: 1006866 | Catalogue: 97809 | Model: L50D |
| Brand: Volvo | Serial: 13002-14059, 36001-36002, 70101-70372 | Group/Section: 211/150 | Title: Valve cover |



Volvo Construction
Equipment
1006866

| Pos | Part | Q1 | Q2 | Q3 | Q4 | Q5 | PS | Kit | Description | Option(s) | Remark |
|-----|-------------|----|----|----|----|----|----|-----|---------------|-----------|---------------|
| 1 | VOE11988392 | 1 | | | | | | | Valve cover | | |
| 1A | VOE11988393 | 1 | | | | | | | Breather pipe | | |
| 2 | VOE11708206 | 1 | | | | | | | Gasket | | (VOE11705297) |
| 3 | VOE11988395 | 3 | | | | | | | Nut | | |
| 4 | VOE13955900 | 3 | | | | | | | Washer | | |
| 5 | VOE11997049 | 3 | | | | | | | Sealing ring | | |
| 6 | VOE11705457 | 1 | | | | | | | Hose | | |

| | | | |
|---------------------------|---|----------------------------------|---------------------------------|
| Date: 2014/1/24 | Image id: 1001506 | Catalogue: 97809 | Model: L50D |
| Brand: Volvo | Serial: 13002-14059, 36001-36002, 70101-70372 | Group/Section: 212/100 | Title: Cylinder block |



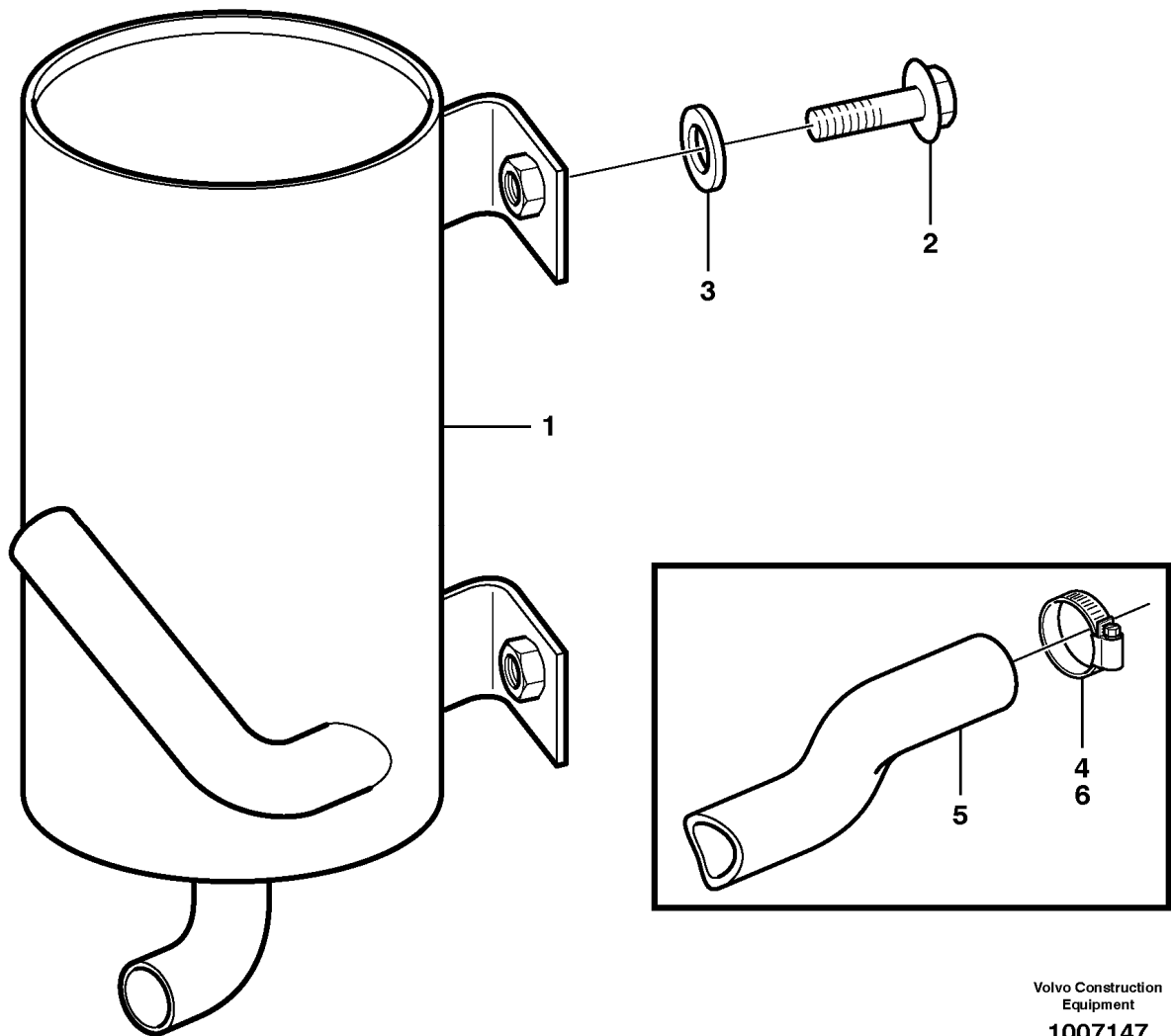
| Q1-Q5 | Option | Option description | |
|-------|--------|--------------------|--|
|-------|--------|--------------------|--|

| | | | |
|-------------|--|--|--|
| Q1 11704870 | | | |
| Q2 11709758 | | | |

| Pos | Part | Q1 | Q2 | Q3 | Q4 | Q5 | PS | Kit | Description | Option(s) | Remark |
|-----|-------------|----|----|----|----|----|----|-----|------------------|-----------|---------------------------------|
| 1 | VOE11704870 | 1 | | | | | SS | | Cylinder block | | E PROD |
| | VOE11712489 | | 1 | | | | | | Cylinder block | | (VOE11709758)L PROD |
| | VOE11709507 | | 1 | | | | | | Crankshaft seal | | |
| | VOE11709508 | | 1 | | | | | | Wear sleeve | | |
| 2 | | 5 | | | | | NS | | •Bearing carrier | | |
| 3 | VOE6210370 | 10 | | | | | | | •Screw | | |
| 4 | VOE483302 | 10 | | | | | | | •Guide sleeve | | |
| 5 | VOE3976506 | 1 | | | | | | | •Bushing | | |
| 6 | VOE11998997 | 4 | | | | | | | •Cylinder liner | | See footnote 1) See ref 213/100 |
| 7 | VOE483898 | 6 | | | | | | | •Plug | | |
| 8 | VOE11700782 | 1 | | | | | | | •Plug | | |
| 9 | VOE11997805 | 1 | | | | | | | •Plug | | |
| 10 | VOE11997807 | 3 | | | | | | | •Plug | | |
| 11 | VOE3976594 | 3 | | | | | | | •Plug | | |
| 11A | VOE11709818 | 1 | | | | | | | •Plug | | |
| 12 | VOE483445 | 1 | | | | | | | •Plug | | |
| 13 | VOE11988634 | 1 | | | | | | | •Washer | | |
| 14 | VOE11714691 | 4 | | | | | | | •Nozzle | | (VOE11997815) |
| 15 | VOE11997816 | 4 | | | | | | | •Dowel | | |
| 16 | VOE11997817 | 4 | | | | | | | •Valve | | |
| 17 | VOE11997818 | 4 | | | | | | | ••Ball | | |
| 18 | VOE11997819 | 4 | | | | | | | ••Spring | | |
| 19 | VOE11997820 | 4 | | | | | | | ••Retainer | | |
| 20 | VOE11700781 | 1 | | | | | NS | | •Plate | | |
| 21 | VOE11998009 | 1 | | | | | | | •Gasket | | |
| 22 | VOE11998031 | 4 | | | | | | | •Screw | | |
| 23 | VOE968147 | 1 | | | | | | | •Plug | | |
| 24 | VOE483645 | 1 | | | | | | | Plug | | |
| 25 | VOE3976749 | 1 | | | | | | | Plug | | |
| 26 | VOE11998999 | 1 | | | | | | | Cover | | |
| 27 | VOE6212971 | 1 | | | | | | | •Sealing ring | | |
| 28 | VOE11706327 | 1 | | | | | | | Gasket | | |
| 29 | VOE480219 | 2 | | | | | | | Pin | | |
| 30 | VOE13946173 | 12 | | | | | | | Screw | | |
| 31 | VOE11997014 | 2 | | | | | | | Screw | | |
| 32 | VOE11997808 | 1 | | | | | | | Plug | | |
| 33 | VOE7016325 | 2 | | | | | | | Plug | | |
| 34 | VOE482291 | 3 | | | | | | | Plug | | |

1) Replacement version

| | | | |
|---------------------------|---|----------------------------------|--|
| Date: 2014/1/24 | Image id: 1007147 | Catalogue: 97809 | Model: L50D |
| Brand: Volvo | Serial: 13002-14059, 36001-36002, 70101-70372 | Group/Section: 212/150 | Title: Crankcase ventilation 80425 |



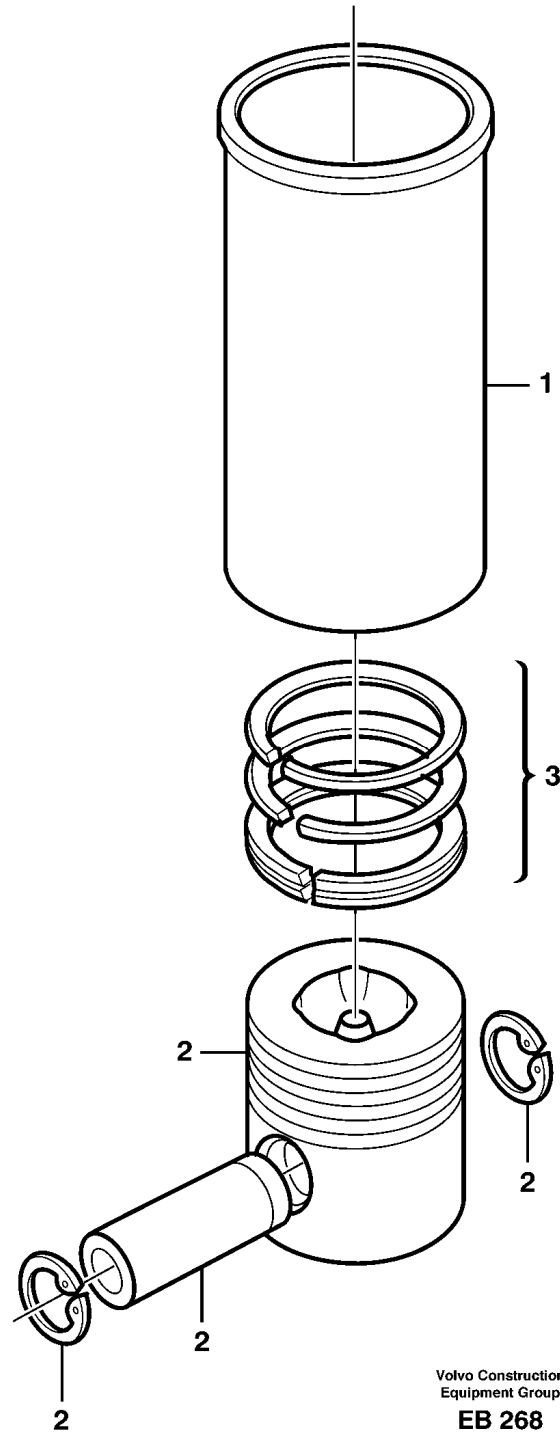
Volvo Construction
Equipment
1007147

| Section option | Kit | Option description |
|----------------|-----|---------------------------------|
| VOE80425 | | Oil trap, crankcase ventilation |

| Pos | Part | Q1 | Q2 | Q3 | Q4 | Q5 | PS | Kit | Description | Option(s) | Remark |
|-----|-------------|-----|----|----|----|----|----|-----|--------------|-----------|---------------|
| 1 | VOE11172635 | 1 | | | | | | | Oil trap | | |
| 2 | VOE946440 | 2 | | | | | | | Flange screw | | |
| 3 | VOE11117464 | 2 | | | | | | | Washer | | (VOE13960141) |
| 4 | VOE13943472 | 1 | | | | | | | Hose clamp | | |
| 5 | VOE11000285 | REQ | | | | | | | Rubber hose | | L = 1500 MM |

| | | | | | | | | | | | |
|---|-----------|---|--|--|--|--|--|--|------------|--|--|
| 6 | VOE943473 | 1 | | | | | | | Hose clamp | | |
|---|-----------|---|--|--|--|--|--|--|------------|--|--|

| | | | |
|---------------------------|---|----------------------------------|--|
| Date: 2014/1/24 | Image id: EB268 | Catalogue: 97809 | Model: L50D |
| Brand: Volvo | Serial: 13002-14059, 36001-36002, 70101-70372 | Group/Section: 213/100 | Title: Cylinder liner and piston |

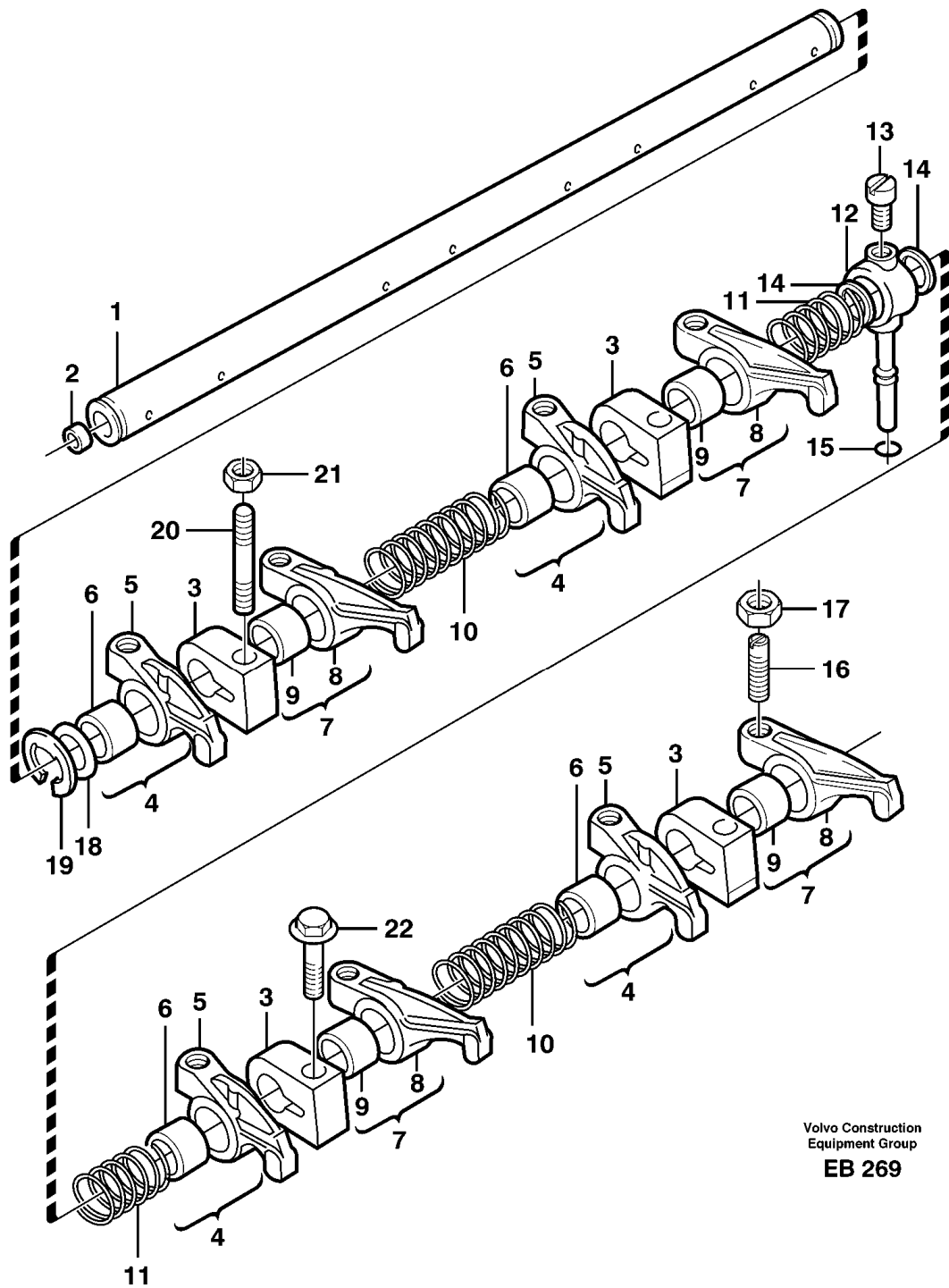


| Pos | Part | Q1 | Q2 | Q3 | Q4 | Q5 | PS | Kit | Description | Option(s) | Remark |
|-----|------|----|----|----|----|----|----|-----|-------------|-----------|--------|
|-----|------|----|----|----|----|----|----|-----|-------------|-----------|--------|

| | | | | | | | | | | | |
|---|-------------|-----|--|--|--|--|--|--|-----------------|--|-----------------|
| 1 | VOE11998997 | 4 | | | | | | | Cylinder Liner | | See footnote 1) |
| 2 | VOE3976526 | REQ | | | | | | | Piston Kit | | 4 / Engine |
| 3 | VOE3976736 | 4 | | | | | | | Piston Ring Kit | | |

1) Replacement version

| | | | |
|---------------------------|---|----------------------------------|----------------------------------|
| Date: 2014/1/24 | Image id: EB269 | Catalogue: 97809 | Model: L50D |
| Brand: Volvo | Serial: 13002-14059, 36001-36002, 70101-70372 | Group/Section: 214/100 | Title: Valve mechanism |

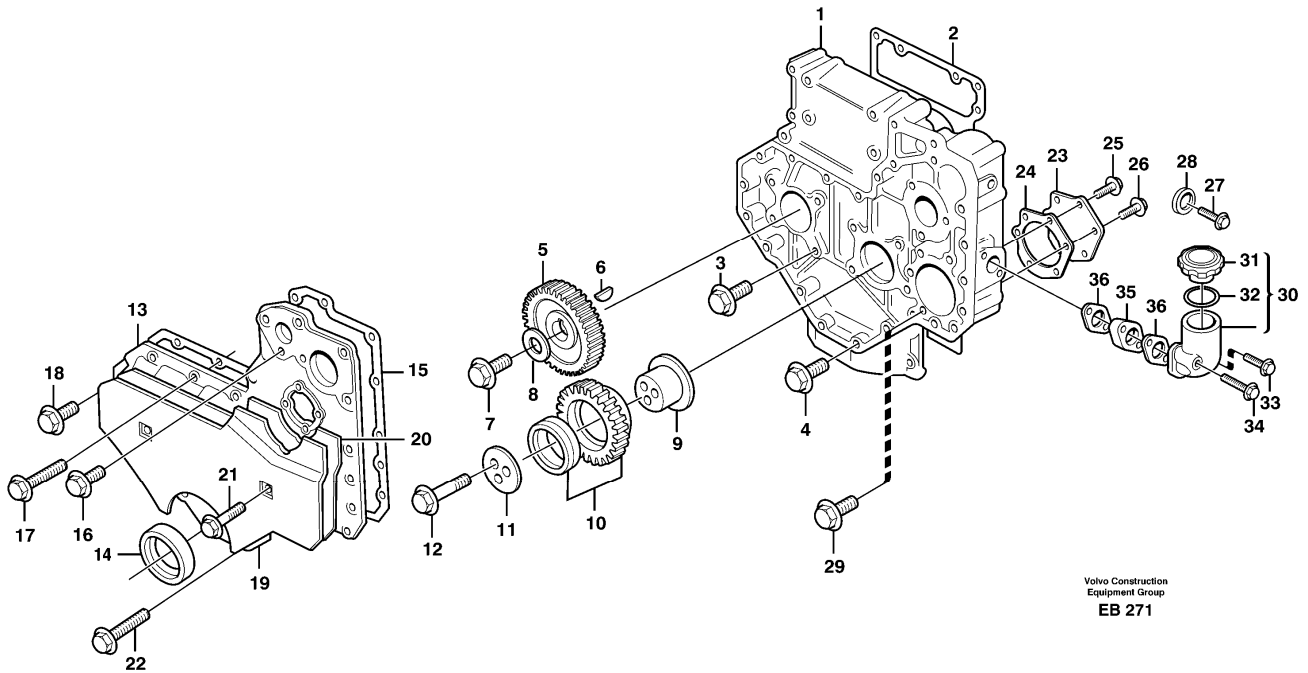


Volvo Construction
Equipment Group
EB 269

| Pos | Part | Q1 | Q2 | Q3 | Q4 | Q5 | PS | Kit | Description | Option(s) | Remark |
|-----|------|----|----|----|----|----|----|-----|-------------|-----------|--------|
|-----|------|----|----|----|----|----|----|-----|-------------|-----------|--------|

| | | | | | | | | | | | |
|----|-------------|---|--|--|--|--|----|--|-------------------|--|--------------|
| | VOE11703881 | 1 | | | | | | | Rocker Arm Kit | | |
| 1 | VOE3976548 | 1 | | | | | | | •Rocker Arm Shaft | | |
| 2 | VOE6613201 | 2 | | | | | | | ••Plug | | |
| 3 | VOE11997850 | 4 | | | | | | | •Bearing Bracket | | |
| 4 | VOE11703882 | 4 | | | | | | | •Rocker Arm | | LEFT |
| 5 | | 4 | | | | | NS | | ••Rocker arm | | |
| 6 | VOE11988424 | 4 | | | | | | | ••Bushing | | (VOE3976738) |
| 7 | VOE11703883 | 4 | | | | | SS | | •Rocker Arm | | RIGHT |
| 8 | | 4 | | | | | NS | | ••Rocker arm | | |
| 9 | VOE11988424 | 4 | | | | | | | ••Bushing | | (VOE3976738) |
| 10 | VOE483363 | 2 | | | | | | | •Spring | | |
| 11 | VOE483364 | 2 | | | | | | | •Spring | | |
| 12 | VOE11997853 | 1 | | | | | | | •Pipe | | |
| 13 | VOE11997854 | 1 | | | | | | | •Screw | | |
| 14 | VOE11997855 | 2 | | | | | | | •Shim | | |
| 15 | VOE483510 | 1 | | | | | | | •Sealing ring | | |
| 16 | VOE3976859 | 8 | | | | | | | •Stud | | (VOE6616717) |
| 17 | VOE940175 | 8 | | | | | | | •Nut | | |
| 18 | VOE11703884 | 2 | | | | | | | •Washer | | |
| 19 | VOE483470 | 2 | | | | | | | •Lock Ring | | |
| 20 | VOE11997857 | 3 | | | | | | | Stud | | |
| 21 | VOE13971096 | 3 | | | | | | | Flange nut | | |
| 22 | VOE11997858 | 1 | | | | | | | Screw | | |

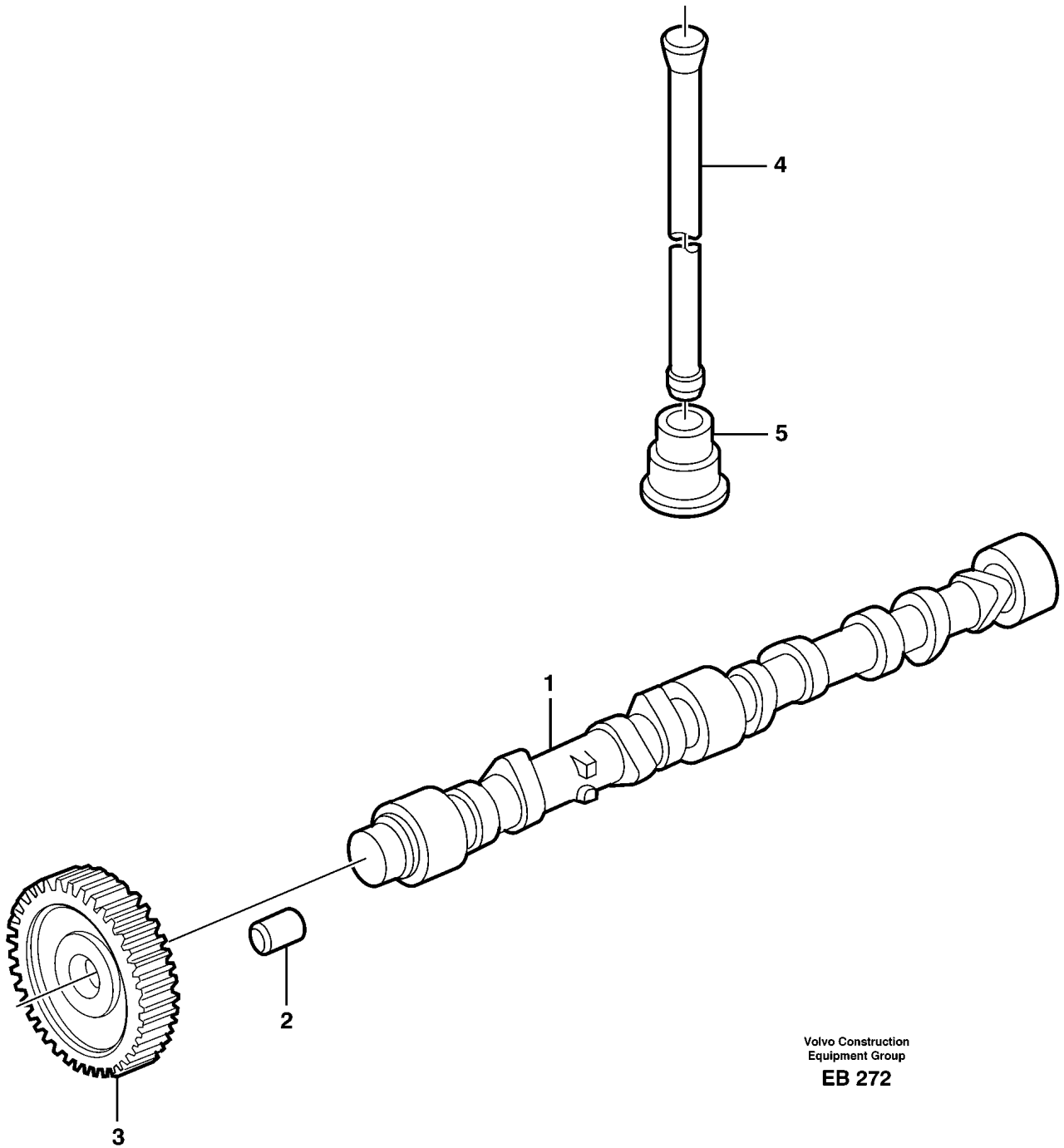
| | | | |
|---------------------------|---|----------------------------------|---|
| Date: 2014/1/24 | Image id: EB271 | Catalogue: 97809 | Model: L50D |
| Brand: Volvo | Serial: 13002-14059, 36001-36002, 70101-70372 | Group/Section: 215/100 | Title: Timing gear casing and gears |



| Pos | Part | Q1 | Q2 | Q3 | Q4 | Q5 | PS | Kit | Description | Option(s) | Remark |
|-----|-------------|----|----|----|----|----|----|-----|--------------------|-----------|---------------|
| 1 | VOE15017034 | 1 | | | | | | | Timing gear casing | | (VOE11703885) |
| 2 | VOE11711203 | 1 | | | | | | | Gasket | | (VOE11997879) |
| 3 | VOE13946173 | 8 | | | | | | | Screw | | M8 X 20 |
| 4 | VOE13945444 | 4 | | | | | | | Screw | | M8 X 25 |
| 5 | VOE11700783 | 1 | | | | | | | Gear | | |
| 6 | VOE483448 | 1 | | | | | | | Key | | |
| 7 | VOE11701555 | 1 | | | | | | | Screw | | |
| 8 | VOE11997885 | 1 | | | | | | | Washer | | |
| 9 | VOE6642825 | 1 | | | | | SS | | Hub | | |
| 10 | VOE11997886 | 1 | | | | | | | Gear | | |
| 11 | VOE11701556 | 1 | | | | | SS | | Plate | | |
| 12 | VOE13965187 | 3 | | | | | | | Screw | | M10 X 60 |
| 13 | VOE11707751 | 1 | | | | | SS | | Cover | | (VOE11703887) |
| 14 | VOE6212928 | 1 | | | | | | | •Sealing ring | | |
| 15 | VOE11988377 | 1 | | | | | | | Gasket | | (VOE11703888) |
| 16 | VOE13965181 | 6 | | | | | | | Screw | | M8 X 70 |
| 17 | VOE13945444 | 1 | | | | | | | Screw | | M8 X 25 |
| 18 | VOE946671 | 6 | | | | | | | Flange screw | | M8 X 30 |

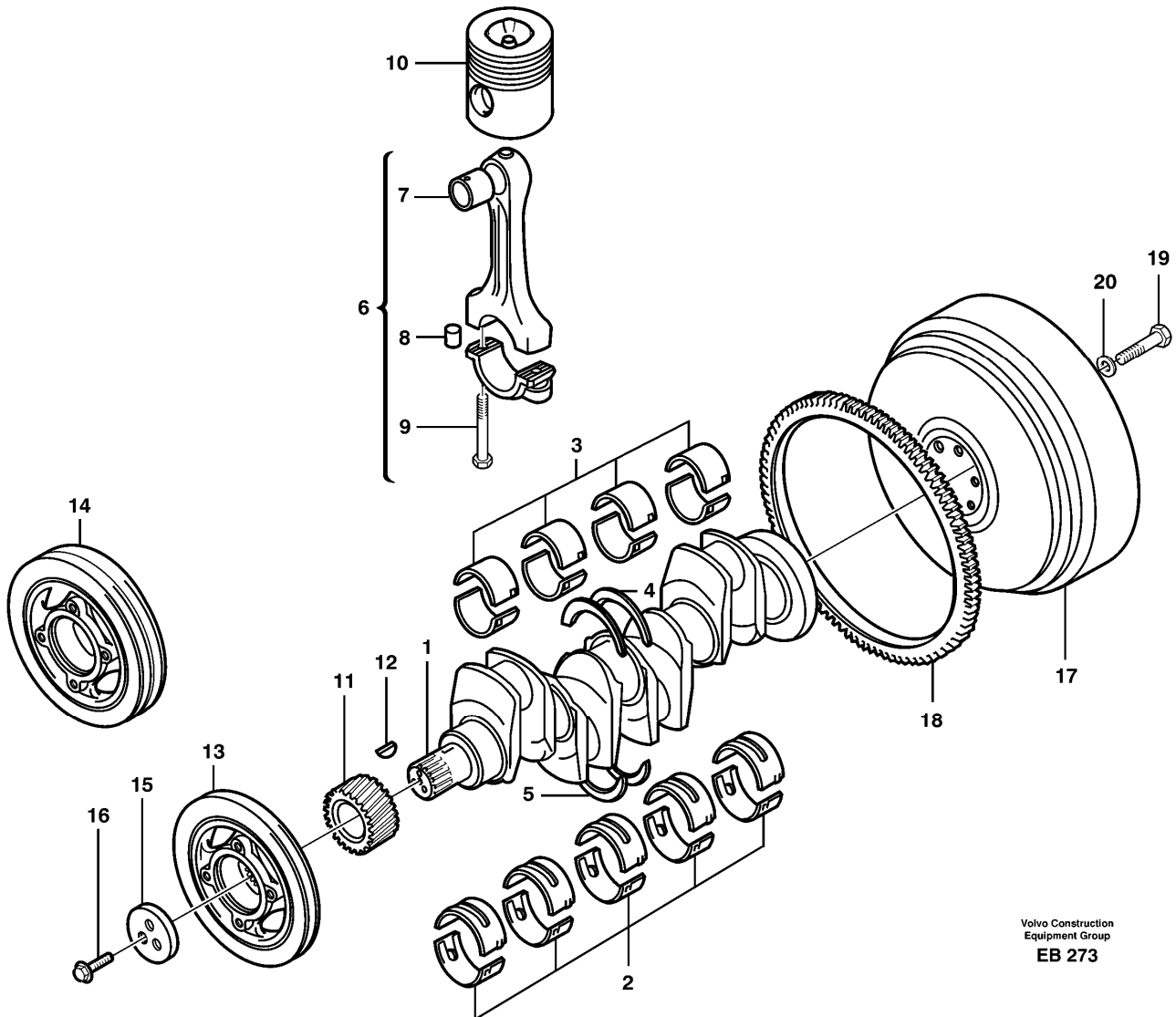
| | | | | | | | | | | | |
|----|-------------|---|--|--|--|--|--|--|----------------|--|----------------------|
| 19 | VOE3976562 | 1 | | | | | | | Noise shield | | |
| 20 | VOE3976563 | 1 | | | | | | | Sound absorber | | |
| 21 | VOE945358 | 2 | | | | | | | Flange screw | | (VOE13945358)M6 X 10 |
| 22 | VOE11997880 | 2 | | | | | | | Screw | | |
| 23 | VOE11709021 | 1 | | | | | | | Cover | | (VOE11703637) |
| 24 | VOE11998164 | 1 | | | | | | | Gasket | | |
| 25 | VOE11703644 | 5 | | | | | | | Screw | | |
| 26 | VOE946441 | 1 | | | | | | | Flange screw | | M10 X 20 |
| 27 | VOE11999468 | 1 | | | | | | | Screw | | |
| 28 | VOE13947281 | 1 | | | | | | | Gasket | | |
| 29 | VOE946472 | 1 | | | | | | | Flange screw | | M10 X 30 |
| 30 | VOE11708490 | 1 | | | | | | | Filler cap | | |
| 31 | VOE11701706 | 1 | | | | | | | •Cap | | |
| 32 | VOE11999028 | 1 | | | | | | | ••O-ring | | |
| 33 | VOE11997968 | 1 | | | | | | | Screw | | |
| 34 | VOE13965181 | 1 | | | | | | | Screw | | M8 X 70 |
| 35 | VOE11707643 | 1 | | | | | | | Spacer | | (VOE11703906) |
| 36 | VOE11997997 | 1 | | | | | | | Gasket | | |

| | | | |
|---------------------------|---|----------------------------------|---------------------------|
| Date: 2014/1/24 | Image id: EB272 | Catalogue: 97809 | Model: L50D |
| Brand: Volvo | Serial: 13002-14059, 36001-36002, 70101-70372 | Group/Section: 215/150 | Title: Camshaft |



| Pos | Part | Q1 | Q2 | Q3 | Q4 | Q5 | PS | Kit | Description | Option(s) | Remark |
|-----|-------------|----|----|----|----|----|----|-----|-------------|-----------|--------|
| 1 | VOE11703886 | 1 | | | | | | | Camshaft | | |

| | | | |
|---------------------------|---|----------------------------------|---|
| Date: 2014/1/24 | Image id: EB273 | Catalogue: 97809 | Model: L50D |
| Brand: Volvo | Serial: 13002-14059, 36001-36002, 70101-70372 | Group/Section: 216/100 | Title: Crankshaft and related parts |

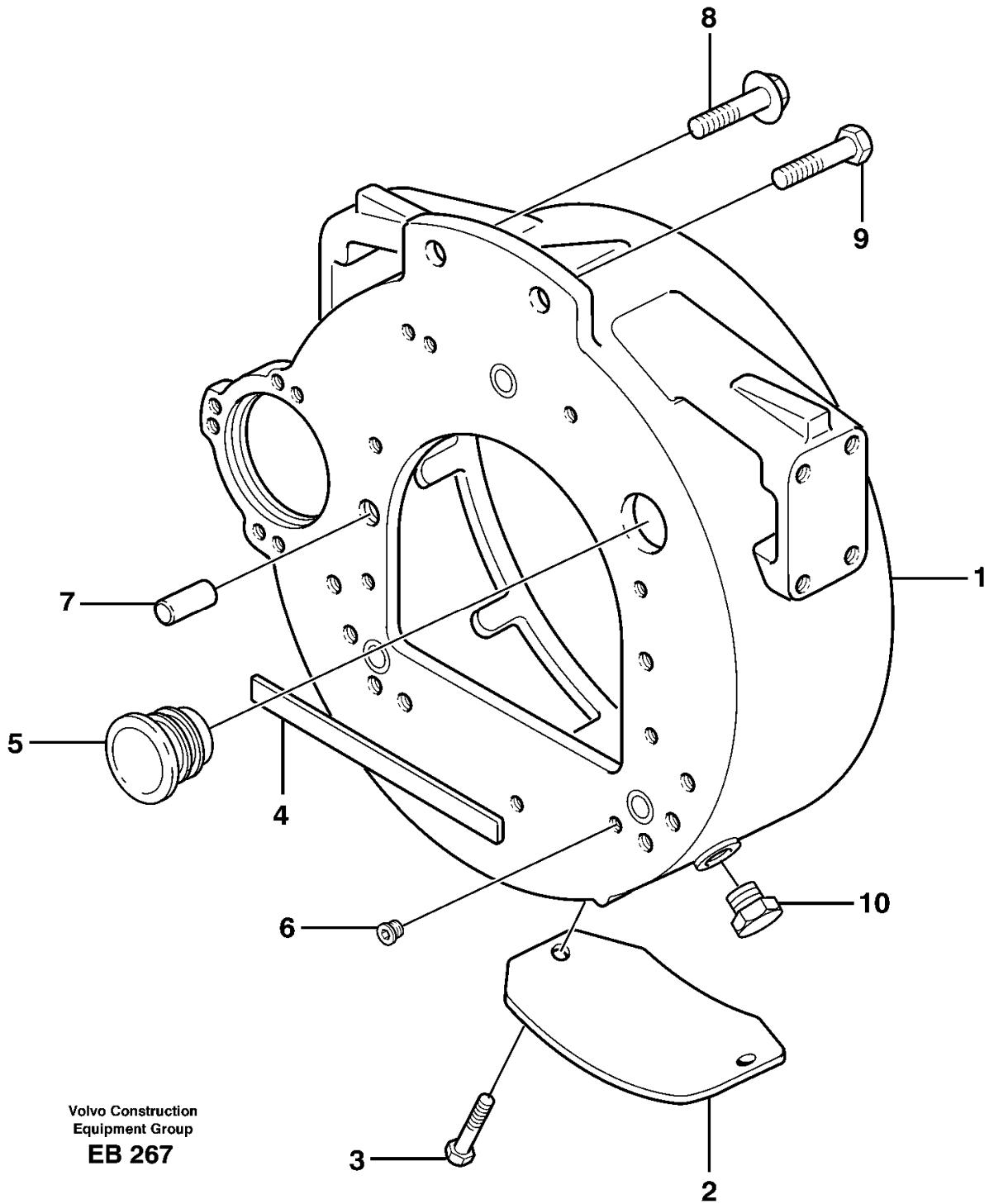


Volvo Construction
Equipment Group
EB 273

| Pos | Part | Q1 | Q2 | Q3 | Q4 | Q5 | PS | Kit | Description | Option(s) | Remark |
|-----|-------------|-----|----|----|----|----|----|-----|------------------|-----------|---------|
| 1 | VOE11994472 | 1 | | | | | SS | | Crankshaft | | |
| 2 | VOE483350 | 1 | | | | | | | •Mn Bearing Kit | | STD |
| | VOE483351 | REQ | | | | | | | Mn Bearing Kit | | -0,25MM |
| | VOE483352 | REQ | | | | | | | Mn Bearing Kit | | -0,50MM |
| | VOE483353 | REQ | | | | | | | Mn Bearing Kit | | -0,75MM |
| 3 | VOE11997824 | 1 | | | | | | | •Big End Brg Kit | | STD |
| | VOE11997825 | REQ | | | | | | | Big End Brg Kit | | -0,25MM |

| | | | | | | | | | | | |
|----|-------------|-----|--|--|--|--|--|--|--------------------|--|-------------------------|
| | VOE11997826 | REQ | | | | | | | Big End Brg Kit | | -0,50MM |
| | VOE11997827 | REQ | | | | | | | Big End Brg Kit | | -0,75MM |
| 4 | VOE483336 | 2 | | | | | | | •Thrust Washer | | STD UPPER |
| | VOE483338 | 2 | | | | | | | Thrust Washer | | +0,19MM UPPER |
| 5 | VOE483337 | 2 | | | | | | | •Thrust Washer | | STD LOWER |
| | VOE483339 | 2 | | | | | | | Thrust Washer | | +0,19MM LOWER |
| 6 | VOE11714607 | 4 | | | | | | | Connecting Rod Kit | | (VOE11707121)HIGH GRADE |
| | VOE11707122 | 4 | | | | | | | Connecting Rod Kit | | LOW GRADE |
| 7 | VOE3976525 | 1 | | | | | | | •Bushing | | |
| 8 | VOE11999004 | 2 | | | | | | | •Screw | | SER NO - U876976D |
| 8 | VOE15080585 | 2 | | | | | | | •Connecting Rod | | SER NO U876977D - |
| 9 | VOE11999005 | 2 | | | | | | | •Socket | | |
| 10 | | 1 | | | | | | | Piston kit | | See ref 213/100 |
| 11 | VOE11997833 | 1 | | | | | | | Gear | | |
| 12 | VOE483448 | 1 | | | | | | | Key | | |
| 13 | VOE11997969 | 1 | | | | | | | Strap | | |
| 14 | VOE11707258 | 1 | | | | | | | Pulley | | |
| 15 | VOE11997970 | 1 | | | | | | | Block | | |
| 16 | VOE11997971 | 3 | | | | | | | Screw | | |
| 17 | VOE11999539 | 1 | | | | | | | Flywheel | | |
| 18 | VOE11997947 | 1 | | | | | | | •Gear Ring | | |
| 19 | VOE11997945 | 10 | | | | | | | Bolt | | |
| 20 | VOE11997946 | 10 | | | | | | | Washer | | |

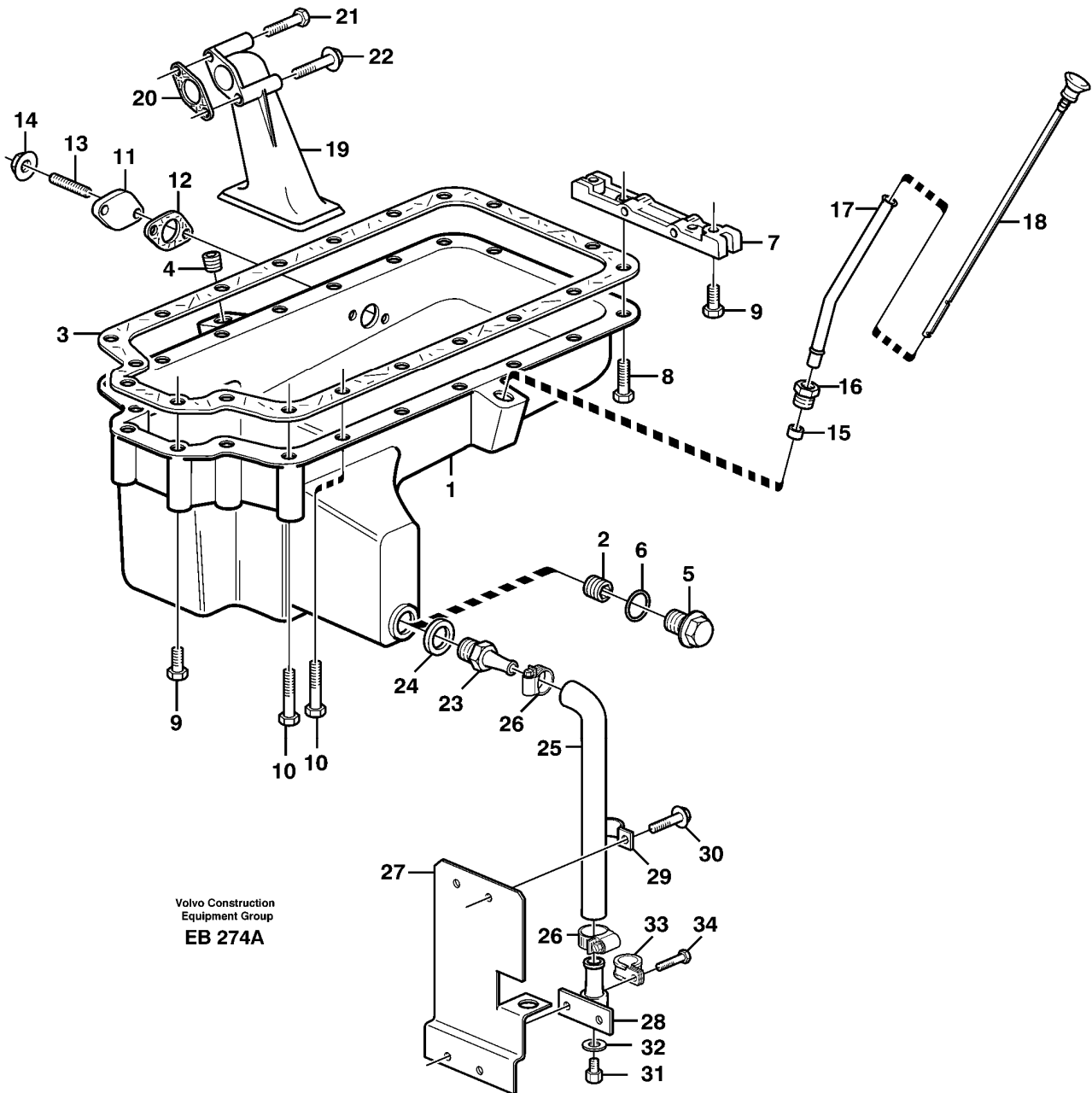
| | | | |
|---------------------------|---|----------------------------------|-----------------------------------|
| Date: 2014/1/24 | Image id: EB267 | Catalogue: 97809 | Model: L50D |
| Brand: Volvo | Serial: 13002-14059, 36001-36002, 70101-70372 | Group/Section: 216/150 | Title: Flywheel housing |



| Pos | Part | Q1 | Q2 | Q3 | Q4 | Q5 | PS | Kit | Description | Option(s) | Remark |
|-----|------|----|----|----|----|----|----|-----|-------------|-----------|--------|
|-----|------|----|----|----|----|----|----|-----|-------------|-----------|--------|

| | | | | | | | | | | | |
|----|-------------|---|--|--|--|--|----|--|------------------|--|----------------|
| 1 | VOE11988382 | 1 | | | | | | | Flywheel housing | | (VOE11706971) |
| 2 | | 1 | | | | | NS | | Plate | | |
| 3 | VOE11703608 | 2 | | | | | | | Screw | | |
| 4 | VOE6211401 | 1 | | | | | | | Gasket | | |
| 5 | VOE11707124 | 1 | | | | | | | Plug | | |
| 6 | VOE11997935 | 3 | | | | | | | Plug | | |
| 7 | VOE483449 | 2 | | | | | | | Pin | | |
| 8 | VOE946472 | 6 | | | | | | | Flange screw | | M10 X 30 |
| 9 | VOE13965191 | 2 | | | | | | | Screw | | M12 X 30 |
| 10 | VOE13966143 | 1 | | | | | | | Plug | | M16 X 1,5 X 12 |
| | VOE11039362 | 1 | | | | | | | Induction sensor | | SE201 |

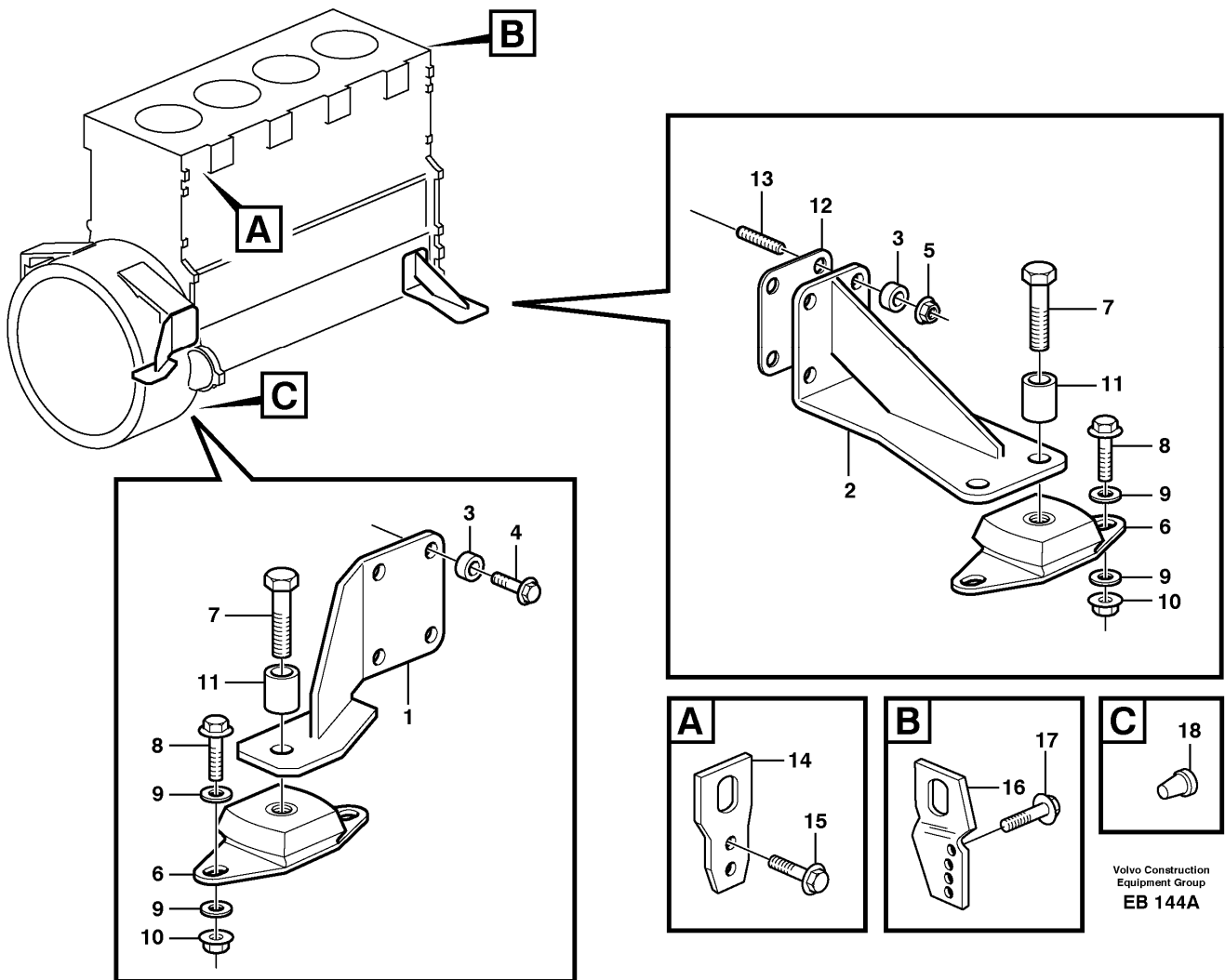
| | | | |
|---------------------------|---|----------------------------------|---------------------------|
| Date: 2014/1/24 | Image id: EB274A | Catalogue: 97809 | Model: L50D |
| Brand: Volvo | Serial: 13002-14059, 36001-36002, 70101-70372 | Group/Section: 217/100 | Title: Oil sump |



| Pos | Part | Q1 | Q2 | Q3 | Q4 | Q5 | PS | Kit | Description | Option(s) | Remark |
|-----|-------------|----|----|----|----|----|----|-----|----------------|-----------|--------|
| 1 | VOE11997972 | 1 | | | | | | | Oil pan | | |
| 2 | VOE11997987 | 2 | | | | | | | •Insert sleeve | | |
| 3 | VOE11997979 | 1 | | | | | | | Gasket | | |
| 4 | VOE11997975 | 1 | | | | | | | Plug | | |
| 5 | VOE11997973 | 2 | | | | | | | Plug | | |

| | | | | | | | | | | |
|----|-------------|-----|--|--|--|----|--|----------------|--|---------------|
| 6 | VOE11997974 | 2 | | | | | | O-ring | | |
| 7 | VOE11701581 | 1 | | | | | | Bridge | | |
| 8 | VOE940326 | 2 | | | | | | Allen Hd Screw | | |
| 9 | VOE13946173 | 14 | | | | | | Screw | | M8 X 20 |
| 10 | VOE13965182 | 6 | | | | | | Screw | | M8 X 80 |
| 11 | VOE11997976 | 1 | | | | | | Plate | | |
| 12 | VOE11703902 | 1 | | | | | | Gasket | | |
| 13 | VOE13946173 | 2 | | | | | | Screw | | (VOE11997889) |
| 14 | VOE13945408 | 2 | | | | | | Nut | | |
| 15 | VOE11997985 | 1 | | | | | | O-ring | | |
| 16 | VOE11998893 | 1 | | | | | | Nut | | |
| 17 | VOE11707188 | 1 | | | | | | Tube | | |
| 18 | VOE11707187 | 1 | | | | | | Dipstick | | |
| 19 | VOE11997980 | 1 | | | | | | Pipe | | |
| 20 | VOE11997981 | 1 | | | | | | Gasket | | |
| 21 | VOE13965218 | 1 | | | | | | Screw | | M8 X 75 |
| 22 | VOE13965183 | 1 | | | | | | Flange screw | | M8 X 90 |
| 23 | VOE11147713 | 1 | | | | | | Hose nipple | | |
| 24 | VOE944250 | 1 | | | | | | Gasket | | |
| 25 | VOE13961193 | REQ | | | | | | Hydraulic hose | | L = 560 MM |
| 26 | VOE943475 | 2 | | | | | | Hose clamp | | |
| 27 | | 1 | | | | NS | | Bracket | | |
| 28 | VOE11133314 | 1 | | | | | | Nipple | | |
| 29 | VOE952639 | 1 | | | | | | Clamp | | |
| 30 | VOE946671 | 2 | | | | | | Flange screw | | |
| 31 | VOE13960634 | 1 | | | | | | Plug | | |
| 32 | VOE948885 | 1 | | | | | | Plane gasket | | |
| 33 | VOE952633 | 1 | | | | | | Clamp | | |
| 34 | VOE13946544 | 2 | | | | | | Screw | | |

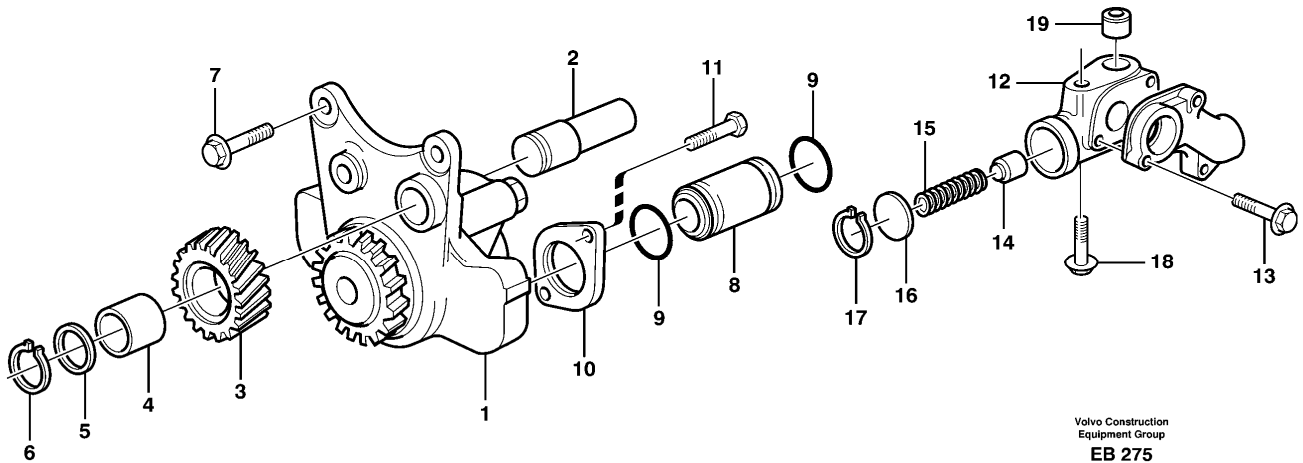
| | | | |
|---------------------------|---|----------------------------------|----------------------------------|
| Date: 2014/1/24 | Image id: EB144A | Catalogue: 97809 | Model: L50D |
| Brand: Volvo | Serial: 13002-14059, 36001-36002, 70101-70372 | Group/Section: 218/100 | Title: Engine mounting |



| Pos | Part | Q1 | Q2 | Q3 | Q4 | Q5 | PS | Kit | Description | Option(s) | Remark |
|-----|-------------|----|----|----|----|----|----|-----|-----------------|-----------|--------|
| 1 | VOE11091320 | 1 | | | | | | | Engine Mounting | | LH |
| | VOE11090588 | 1 | | | | | | | Engine Mounting | | RH |
| 2 | VOE11090952 | 2 | | | | | | | Engine Mounting | | |
| 3 | VOE4850822 | 12 | | | | | | | Spacer | | |
| 4 | VOE13965192 | 8 | | | | | | | Flange screw | | |
| 5 | VOE13971096 | 8 | | | | | | | Flange nut | | |
| 6 | VOE11090592 | 4 | | | | | | | Rubber cushion | | |
| 7 | VOE13968302 | 4 | | | | | | | Flange screw | | |
| 8 | VOE13965192 | 8 | | | | | | | Flange screw | | |

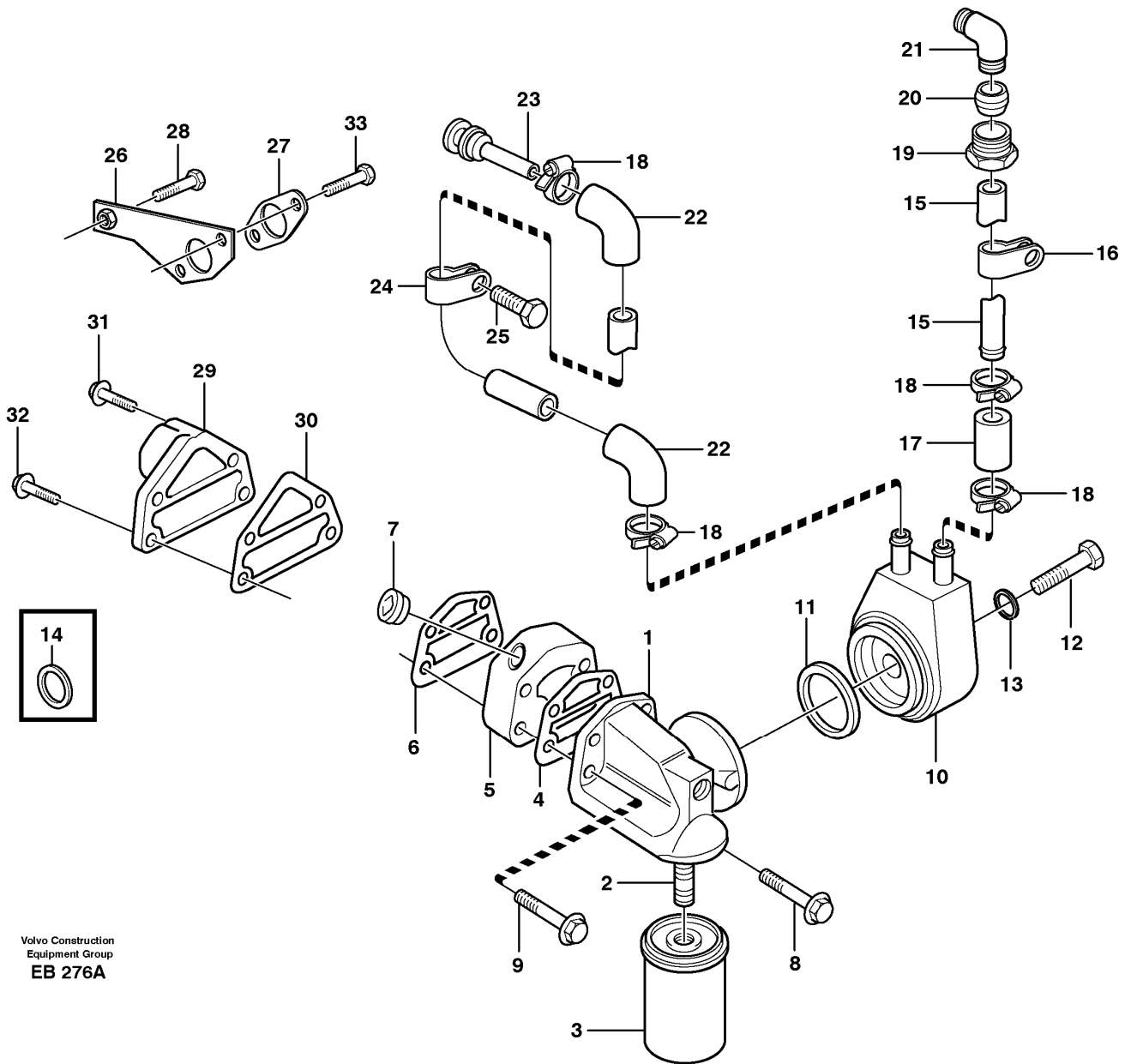
| | | | | | | | | | | | |
|----|-------------|----|--|--|--|--|----|--|-----------------|--|---------------|
| 9 | VOE13960145 | 16 | | | | | | | Washer | | |
| 10 | VOE971099 | 8 | | | | | | | Flange Lock Nut | | (VOE13971099) |
| 11 | VOE4713119 | 4 | | | | | | | Spacer Ring | | |
| 12 | VOE11091319 | 1 | | | | | | | Spacer | | |
| 13 | VOE11998146 | 8 | | | | | | | Stud | | |
| 14 | VOE11703952 | 1 | | | | | NS | | Lifting lug | | |
| 15 | VOE946329 | 2 | | | | | | | Flange screw | | |
| 16 | VOE3976665 | 1 | | | | | NS | | Lifting lug | | |
| 17 | VOE946329 | 2 | | | | | | | Flange screw | | |
| 18 | VOE11701655 | 10 | | | | | | | Plug | | |

| | | | |
|---------------------------|---|----------------------------------|---|
| Date: 2014/1/24 | Image id: EB275 | Catalogue: 97809 | Model: L50D |
| Brand: Volvo | Serial: 13002-14059, 36001-36002, 70101-70372 | Group/Section: 221/100 | Title: Lubricating oil system |



| Pos | Part | Q1 | Q2 | Q3 | Q4 | Q5 | PS | Kit | Description | Option(s) | Remark |
|-----|-------------|----|----|----|----|----|----|-----|---------------|-----------|--------|
| 1 | VOE11997020 | 1 | | | | | | | Oil Pump | | |
| 2 | VOE11997006 | 2 | | | | | | | Shaft | | |
| 3 | VOE11997897 | 1 | | | | | | | Gear | | |
| 4 | VOE11997898 | 1 | | | | | | | •Bushing | | |
| 5 | VOE11997899 | 1 | | | | | | | Washer | | |
| 6 | VOE483469 | 1 | | | | | | | Lock Ring | | |
| 7 | VOE946671 | 3 | | | | | | | Flange screw | | |
| 8 | VOE11997908 | 1 | | | | | | | Pipe | | |
| 9 | VOE11997909 | 2 | | | | | | | O-ring | | |
| 10 | VOE11997910 | 1 | | | | | | | Flange | | |
| 11 | VOE13945444 | 2 | | | | | | | Flange screw | | |
| 12 | VOE11708070 | 1 | | | | | SS | | Motor Grader | | |
| | VOE11708069 | 1 | | | | | | | Gasket | | |
| 13 | VOE13948356 | 3 | | | | | | | •Flange screw | | |
| 14 | VOE11997903 | 1 | | | | | | | •Piston | | |
| 15 | VOE11708077 | 1 | | | | | | | •Spring | | |
| 16 | VOE11997905 | 1 | | | | | | | •Cap | | |
| 17 | VOE11997906 | 1 | | | | | | | •Lock Ring | | |
| 18 | VOE13965222 | 1 | | | | | | | Screw | | |
| 19 | VOE11701559 | 1 | | | | | | | Socket | | |

| | | | |
|---------------------------|---|----------------------------------|-----------------------------|
| Date: 2014/1/24 | Image id: EB276A | Catalogue: 97809 | Model: L50D |
| Brand: Volvo | Serial: 13002-14059, 36001-36002, 70101-70372 | Group/Section: 223/100 | Title: Oil cooler |

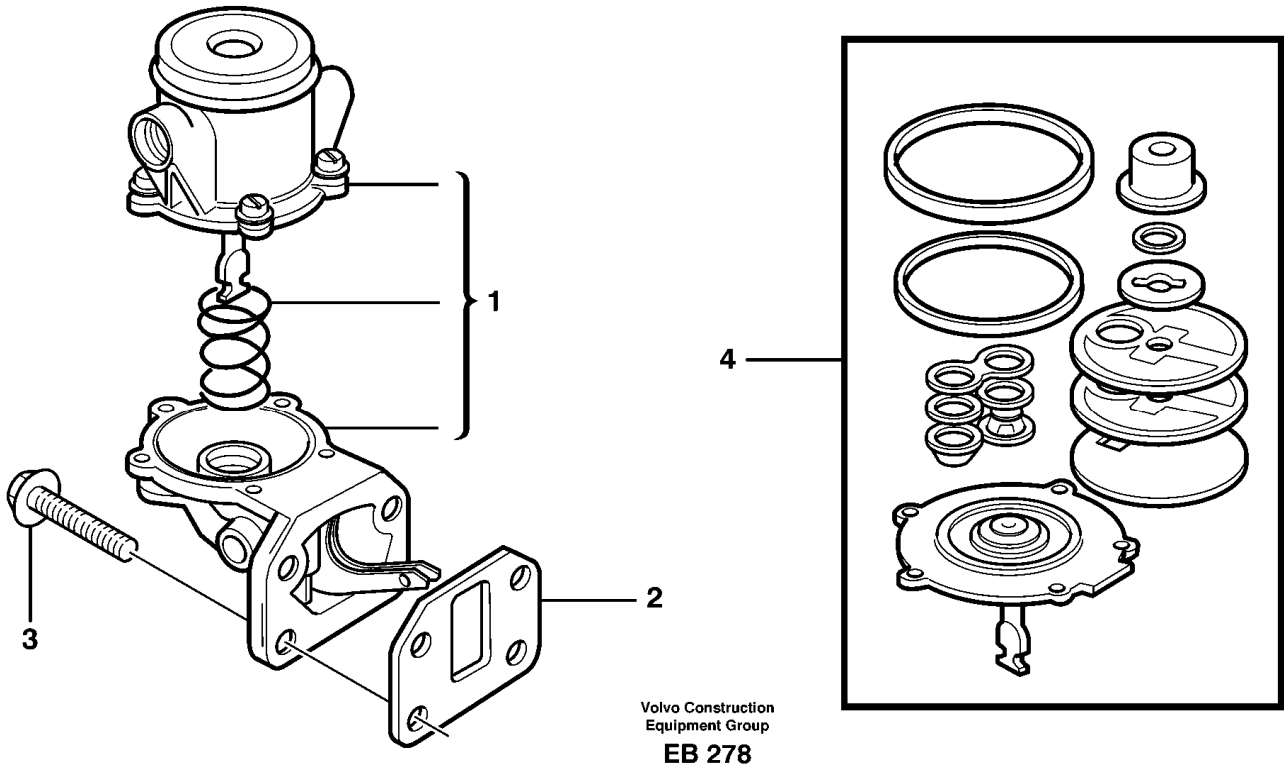


Volvo Construction
Equipment Group
EB 276A

| Pos | Part | Q1 | Q2 | Q3 | Q4 | Q5 | PS | Kit | Description | Option(s) | Remark |
|-----|-------------|----|----|----|----|----|----|-----|------------------|-----------|--------|
| 1 | VOE11700790 | 1 | | | | | | | Filter housing | | |
| 2 | VOE11999547 | 1 | | | | | | | •Pipe connection | | |
| 3 | VOE3976603 | 1 | | | | | | | Oil filter | | |
| 4 | VOE11998009 | 1 | | | | | | | Gasket | | |
| 5 | VOE11998012 | 1 | | | | | | | Adapter | | |

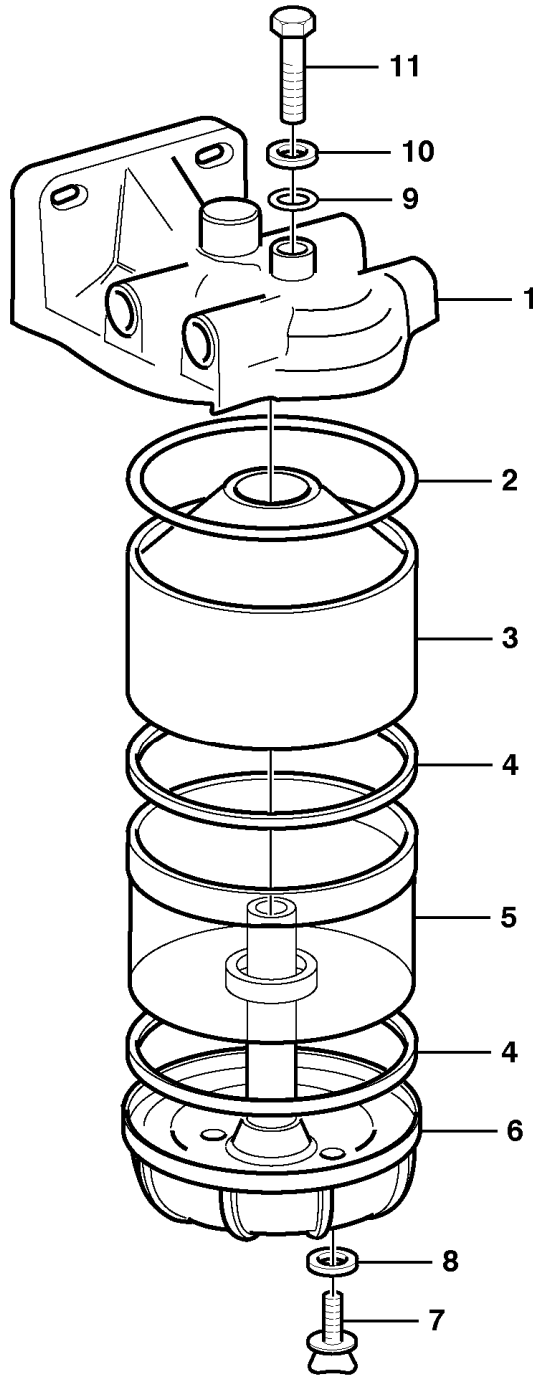
| | | | | | | | | | | | |
|----|-------------|---|--|--|--|--|----|--|-----------------|--|---------------|
| 6 | VOE11998009 | 1 | | | | | | | Gasket | | |
| 7 | VOE11997843 | 1 | | | | | | | Plug | | |
| 8 | VOE11700789 | 2 | | | | | | | Screw | | |
| 9 | VOE11998011 | 2 | | | | | | | Screw | | |
| 10 | VOE11712750 | 1 | | | | | | | Oil cooler | | (VOE11700761) |
| 11 | VOE11998014 | 1 | | | | | | | •Gasket | | |
| 12 | VOE11700759 | 1 | | | | | | | •Screw | | |
| 13 | VOE11700760 | 1 | | | | | | | •Gasket | | |
| 14 | VOE11997927 | 1 | | | | | SS | | Sealing ring | | |
| 15 | VOE11703908 | 1 | | | | | | | Water pipe | | |
| 16 | VOE11703909 | 1 | | | | | NS | | •Clamp | | |
| 17 | VOE11998908 | 1 | | | | | | | Hose | | |
| 18 | VOE11700788 | 4 | | | | | | | Hose clamp | | |
| 19 | VOE11998020 | 1 | | | | | | | Nut | | |
| 20 | VOE11998021 | 1 | | | | | | | Ferrule | | |
| 21 | VOE11991755 | 1 | | | | | | | Nipple | | |
| 22 | VOE11703910 | 1 | | | | | | | Hose | | |
| 23 | VOE11988381 | 1 | | | | | | | Adapter | | (VOE11998027) |
| 24 | VOE11701647 | 1 | | | | | | | Clamp | | |
| 25 | VOE946440 | 1 | | | | | | | Flange screw | | |
| 26 | VOE11703911 | 1 | | | | | NS | | Bracket | | |
| 27 | VOE11997997 | 1 | | | | | | | Gasket | | |
| 28 | VOE11703608 | 1 | | | | | | | Screw | | |
| 29 | VOE11998028 | 1 | | | | | | | Adapter | | |
| 30 | VOE11998009 | 1 | | | | | | | Gasket | | |
| 31 | VOE11998030 | 1 | | | | | | | Screw | | |
| 32 | VOE11998031 | 1 | | | | | | | Screw | | |
| 33 | VOE13965181 | 1 | | | | | | | Screw | | |
| | VOE11039575 | 1 | | | | | | | Pressure sensor | | SE202 |
| | VOE11002439 | 1 | | | | | | | Nipple | | SE202 |

| | | | |
|---------------------------|---|----------------------------------|----------------------------|
| Date: 2014/1/24 | Image id: EB278 | Catalogue: 97809 | Model: L50D |
| Brand: Volvo | Serial: 13002-14059, 36001-36002, 70101-70372 | Group/Section: 233/100 | Title: Feed pump |



| Pos | Part | Q1 | Q2 | Q3 | Q4 | Q5 | PS | Kit | Description | Option(s) | Remark |
|-----|-------------|----|----|----|----|----|----|-----|-------------|-----------|---------------|
| 1 | VOE11708207 | 1 | | | | | | | Feed pump | | (VOE11703353) |
| 2 | VOE11700965 | 1 | | | | | | | •Gasket | | |
| 3 | VOE13946173 | 4 | | | | | | | Screw | | |
| 4 | VOE11703354 | 1 | | | | | | | Repair kit | | |

| | | | |
|---------------------------|---|----------------------------------|-----------------------------------|
| Date: 2014/1/24 | Image id: EB230 | Catalogue: 97809 | Model: L50D |
| Brand: Volvo | Serial: 13002-14059, 36001-36002, 70101-70372 | Group/Section: 233/150 | Title: Slurry separator |



Volvo Construction
Equipment Group
EB 230

| Pos | Part | Q1 | Q2 | Q3 | Q4 | Q5 | PS | Kit | Description | Option(s) | Remark |
|-----|------|----|----|----|----|----|----|-----|-------------|-----------|--------|
|-----|------|----|----|----|----|----|----|-----|-------------|-----------|--------|

| | | | | | | | | | | | |
|----|------------|---|--|--|--|--|----|--|-----------------|--|--|
| | VOE4880463 | 1 | | | | | | | Water Separator | | |
| 1 | | 1 | | | | | NS | | •Cover | | |
| 2 | VOE1695001 | 1 | | | | | | | •Gasket | | |
| 3 | VOE829666 | 1 | | | | | | | •Separator | | |
| 4 | VOE1695000 | 2 | | | | | | | •Gasket | | |
| 5 | VOE818407 | 1 | | | | | | | •Reservoir | | |
| 6 | VOE6213506 | 1 | | | | | | | •Base Plate | | |
| 7 | VOE242595 | 1 | | | | | | | ••Plug | | |
| 8 | VOE6643249 | 1 | | | | | | | •••Gasket | | |
| 9 | VOE236570 | 1 | | | | | | | •O-ring | | |
| 10 | VOE6648589 | 1 | | | | | | | •Washer | | |
| 11 | VOE7192545 | 1 | | | | | | | •Screw | | |

Thank you so much for reading.
Please click the “Buy Now!”
button below to download the
complete manual.



After you pay.

You can download the most
perfect and complete manual in
the world immediately.

Our support email:

ebooklibonline@outlook.com