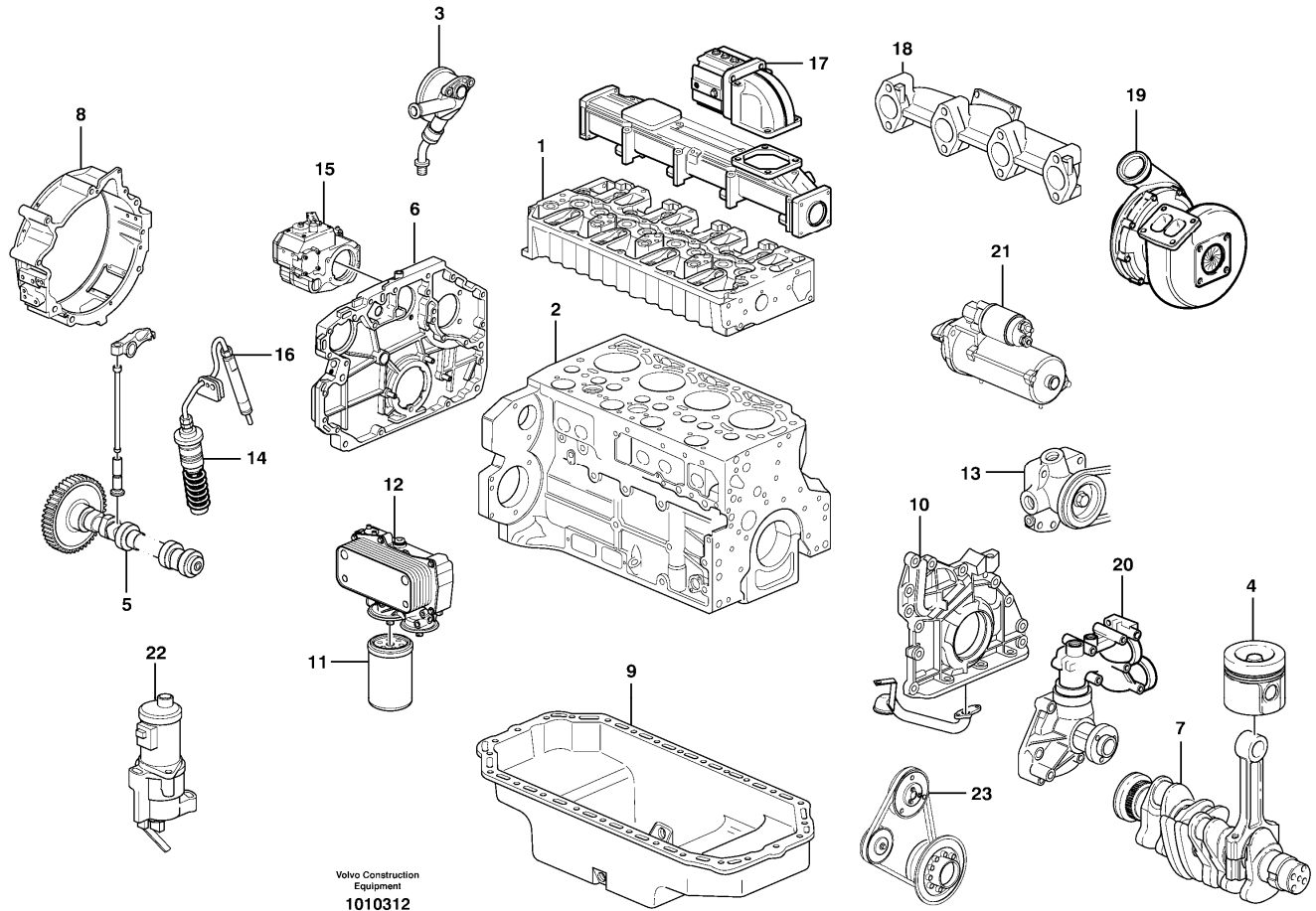


Date: 2014/1/24	Image id: 1010312	Catalogue: 20045	Model: L50E
Brand: Volvo	Serial: 71001-72174	Group/Section: 210/100	Title: Engine

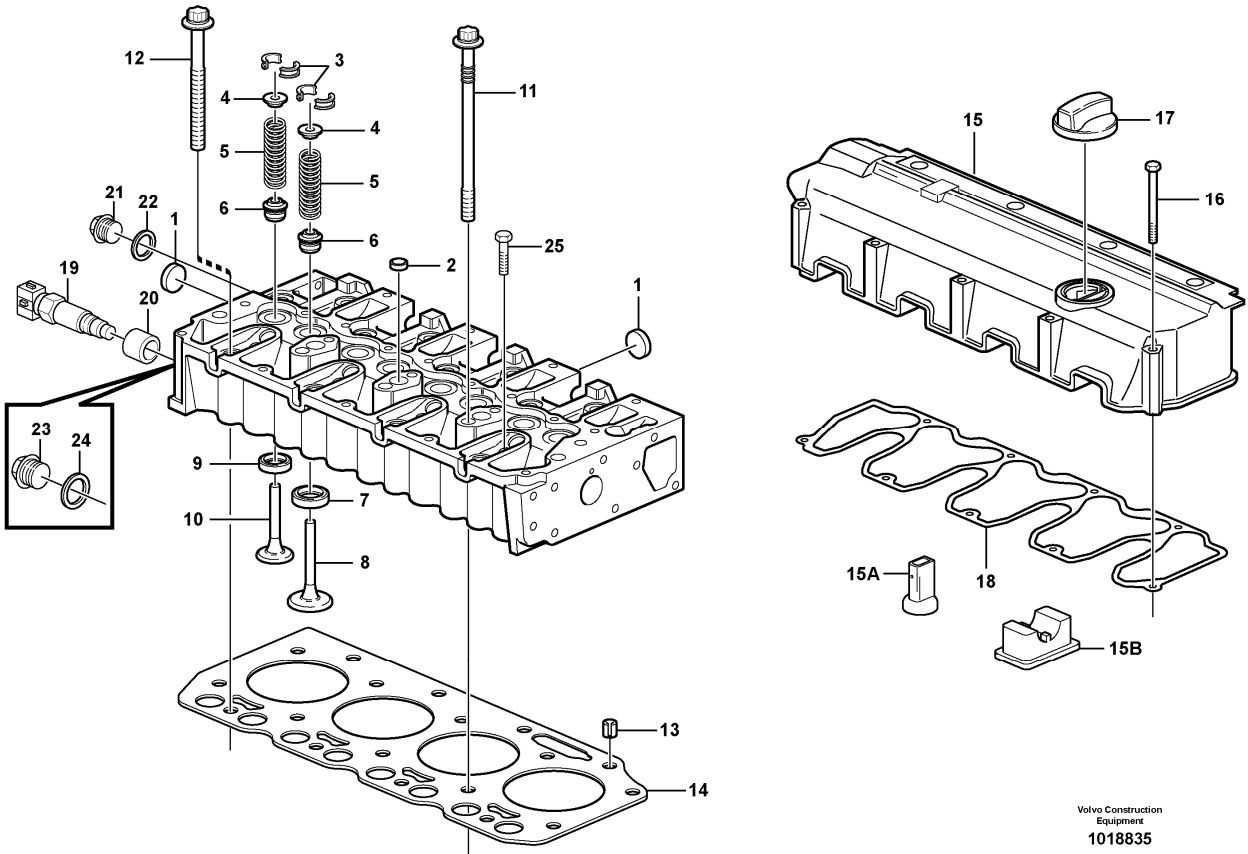


Section option	Kit	Option description
VOE11410478		Engine D4D LAE2

Pos	Part	Q1	Q2	Q3	Q4	Q5	PS	Kit	Description	Option(s)	Remark
	VOE11410478								Engine		D4DLAE2
1		1							•Cylinder head		See ref 211/100
2		1							•Cylinder block		See ref 212/100
3		1							•Crankcase ventilation		See ref 212/150
4		4							•Piston		See ref 213/100
5		1							•Valve mechanism		See ref 214/150
6		1							•Timing gear casing		See ref 215/100
7		1							•Crankshaft		See ref 216/100
8		1							•Flywheel Hsg		See ref 216/150
9		1							•Oil sump		See ref 217/100
10		1							•Lubricating system		See ref 221/100

11		1							•Oil filter		See ref 222/100
12		1							•Oil cooler		See ref 223/100
13		1							•Fuel pump		See ref 233/100
14		4							•Injcection pump		See ref 236/100
15		1							•Regulator		See ref 236/150
16		4							•Fuel lines, injectors		See ref 237/100
17		1							•Inlet pipe		See ref 251/100
18		1							•Exhaust pipe		See ref 251/100
19		1							•Turbocharger		See ref 255/100
20		1							•Water pump and thermo		See ref 262/100
21		1							•Starter motor		See ref 331/100
22		1							•Stop solenoid		See ref 273/100
23		1							•Belt Xmsn		See ref 262/100

Date: 2014/1/24	Image id: 1018835	Catalogue: 20045	Model: L50E
Brand: Volvo	Serial: 71001-72174	Group/Section: 211/100	Title: Cylinder head



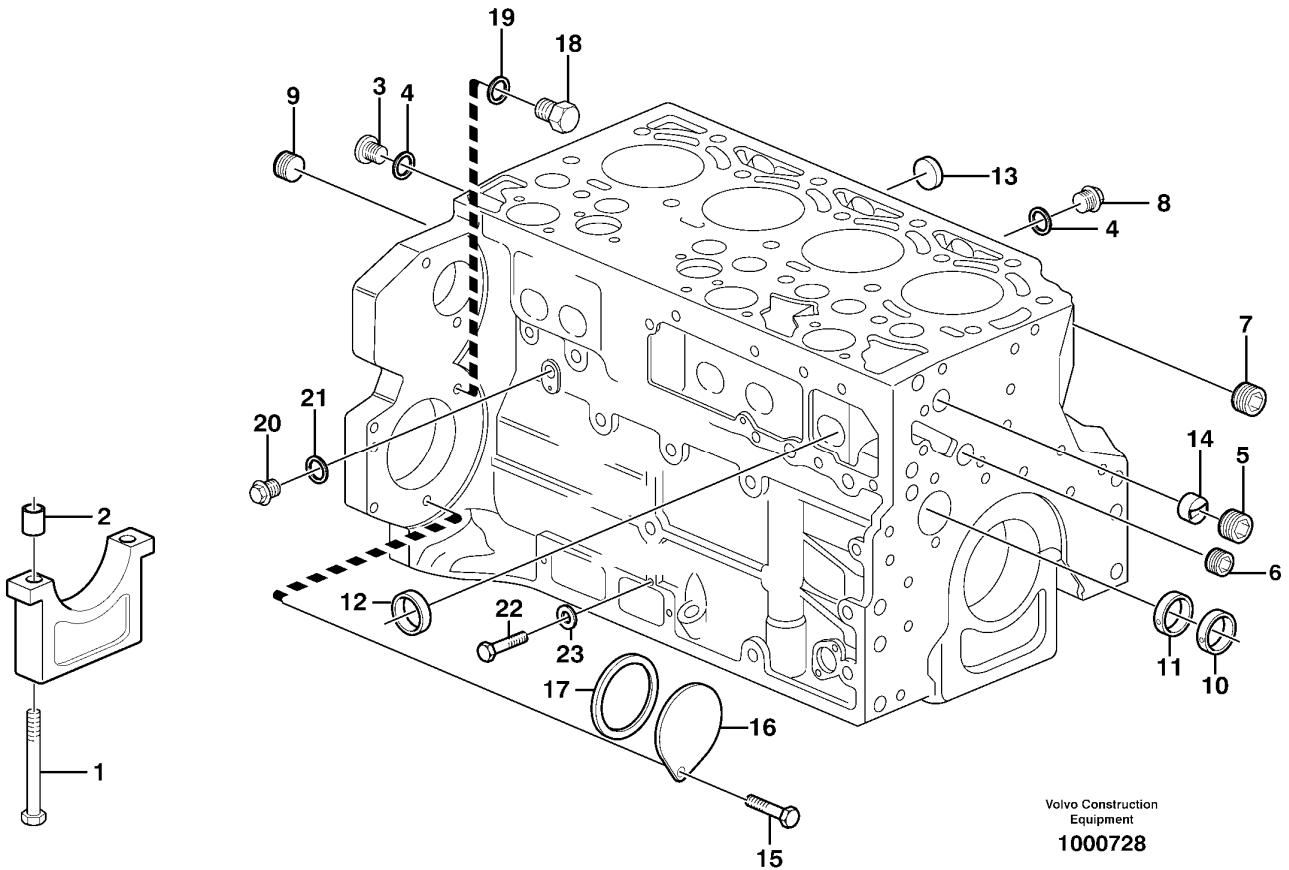
Volvo Construction
Equipment
1018835

Section option	Kit	Option description
VOE11410478		Engine D4D LAE2

Pos	Part	Q1	Q2	Q3	Q4	Q5	PS	Kit	Description	Option(s)	Remark
	VOE20555189	1							Cylinder head		ENG - 902522
	VOE20590598	1							Cylinder head		ENG 902523 -
1	VOE20412745	3							•Core plug		(VOE20450767)
2	VOE20412745	3							•Core plug		(VOE11700344)
3	VOE20459857	16							•Valve sleeve		
4	VOE20535037	8							•Washer		E PROD ENG - 2006/01
4	VOE20840747	8							•Spring Disc		L PROD ENG 2006/02 -
5	VOE20459851	8							•Valve spring		
6	VOE20459855	8							•Valve seal		
7	VOE20459852	4							•Valve seat		
8	VOE20482741	4							•Inlet valve		(VOE20791517)E PROD ENG - 2006/01

8	VOE21026535	4							•Inlet valve		L PROD ENG 2006/02 -
9	VOE20459854	4							•Valve seat		
10	VOE20482742	4							•Exhaust valve		(VOE20459861)E PROD ENG - 2006/01
10	VOE21026536	4							•Exhaust Valve		L PROD ENG 2006/02 -
11	VOE20459837	5							Bolt		
12	VOE20459838	13							Bolt		
13	VOE20459839	2							Bushing		
14	VOE20882841	1							Cylinder gasket head		1 BORE
	VOE20882839	1							Cylinder gasket head		2 BORES
	VOE20882838	1							Cylinder gasket head		3 BORES
15	VOE20558934	1							Valve Cover		
15A	VOE20459836	1							•Nozzle		
15B	VOE20459835	1							•Cover		
16	VOE20459830	9							Screw		
17	VOE20412589	1							Filler cap		
18	VOE20558924	1							Gasket		
19	VOE20924086	1							Sensor		(VOE20405787)SE2
20	VOE20405788	1							Sleeve		
21	VOE20464451	1							Plug		
22	VOE13947628	1							Plane gasket		
23	VOE20405716	1							Plug		
24	VOE13947621	1							Plane gasket		
25	VOE20405895	4							Plug		

Date: 2014/1/24	Image id: 1000728	Catalogue: 20045	Model: L50E
Brand: Volvo	Serial: 71001-72174	Group/Section: 212/100	Title: Cylinder block

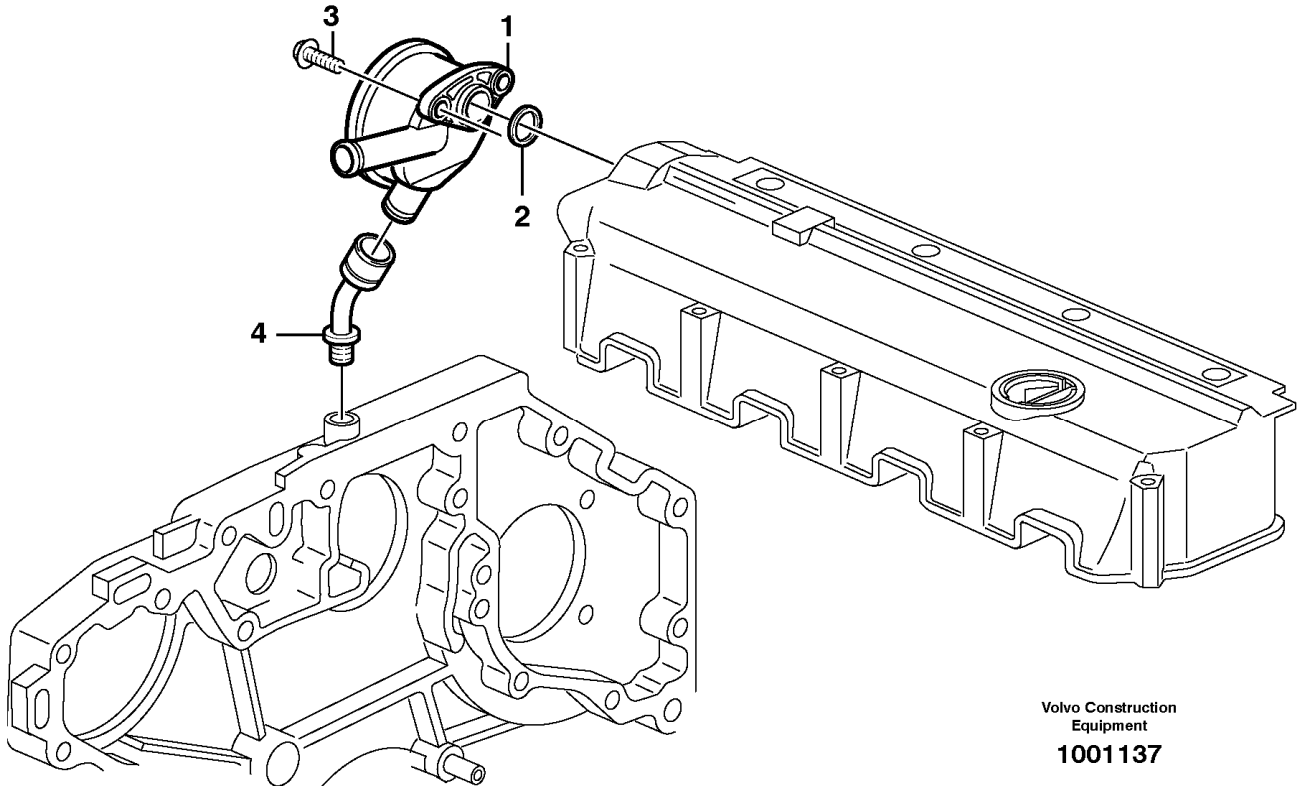


Section option	Kit	Option description
VOE11410478		Engine D4D LAE2

Pos	Part	Q1	Q2	Q3	Q4	Q5	PS	Kit	Description	Option(s)	Remark
	VOE24425842	1					SS		Crankcase		ENG - 1064049
	VOE20791246	1							Cylinder Block		ENG 1064050 - 01099408
	VOE21009706	1							Crankcase		ENG 01099409 -
1	VOE20460006	10							•Screw		
2	VOE20460001	10							•Bushing		
3	VOE945065	1							•Plug		(VOE11700279)
4	VOE13969011	3							•Gasket		
5	VOE20405717	1							•Plug		
6	VOE20405719	1							•Plug		
7	VOE20508600	2							•Plug		
8	VOE20405716	2							•Plug		

9	VOE20785813	1							•Plug		(VOE20508605)ENG - 1070375
	VOE20785813	1							•Plug		ENG 1070376 -
10	VOE20459999	4							•Camshaft bushing		
11	VOE20459998	1							•Camshaft bushing		
12	VOE20405721	6							•Core plug		
13	VOE20412745	2							•Core plug		(VOE20450767)
14	VOE20405584	1							•Guide sleeve		
15	VOE888289	2							Hexagon screw		
16	VOE20405817	1							Cover		(VOE20459898)
17	VOE20412359	1							Sealing ring		
18	VOE20441859	1							Plug		(VOE20532680)
19	VOE13947281	1							Gasket		
20	VOE20405716	1							Plug		
21	VOE13947621	1							Plane gasket		
22	VOE20459899	2							Screw		
23	VOE20459900	2							Sealing ring		

Date: 2014/1/24	Image id: 1001137	Catalogue: 20045	Model: L50E
Brand: Volvo	Serial: 71001-72174	Group/Section: 212/150	Title: Crankcase ventilation

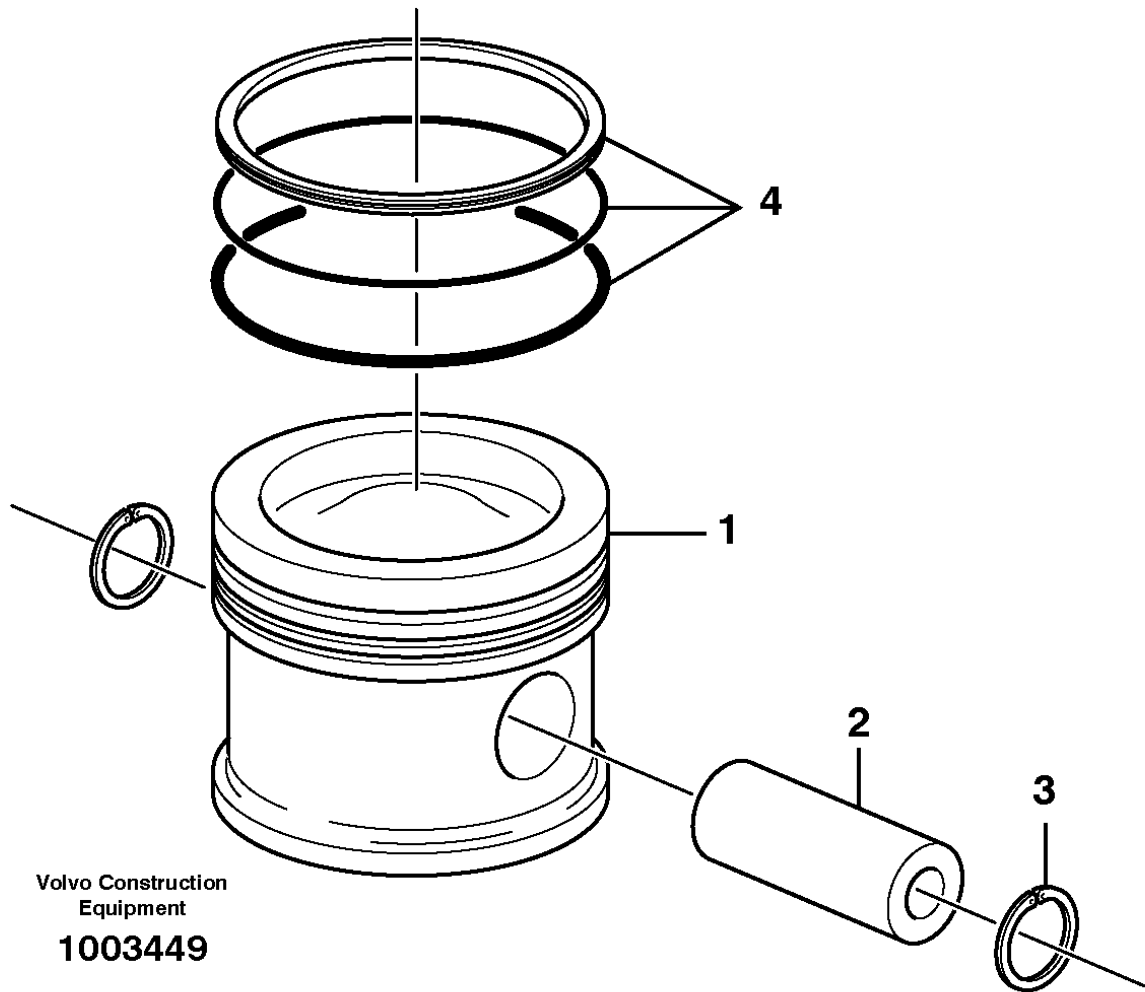


Volvo Construction
Equipment
1001137

Section option	Kit	Option description
VOE11410478		Engine D4D LAE2

Pos	Part	Q1	Q2	Q3	Q4	Q5	PS	Kit	Description	Option(s)	Remark
1	VOE20405626	1							Regulator		
2	VOE20405627	1							•Gasket		
3	VOE20450728	2							Bolt		(VOE20459182)
4	VOE20405938	1							Connector		

Date: 2014/1/24	Image id: 1003449	Catalogue: 20045	Model: L50E
Brand: Volvo	Serial: 71001-72174	Group/Section: 213/100	Title: Pistons

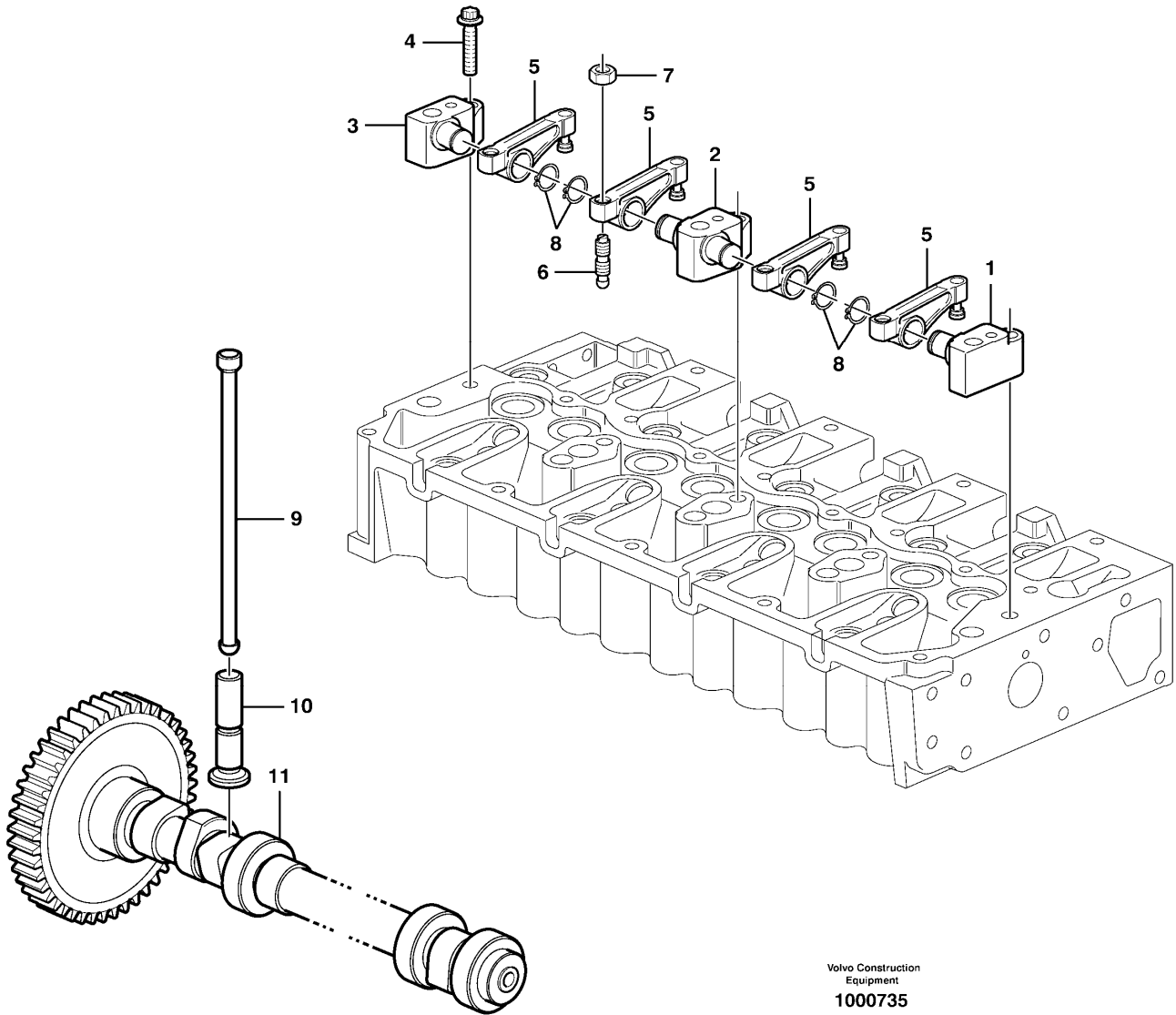


Section option	Kit	Option description
VOE11410478		Engine D4D LAE2

Pos	Part	Q1	Q2	Q3	Q4	Q5	PS	Kit	Description	Option(s)	Remark
1	VOE21305007	4							Piston		(VOE20460013)STD = 101,0 MM

1	VOE20839988	REQ							Piston		O SZ = 101,5 MM
2	VOE20460009	4							•Gudgeon pin		
3	VOE21159226	8							•Retaining ring		(VOE20460010)
4	VOE21252233	4							•Piston ring kit		(VOE20482739)STD
4	VOE20840002	REQ							Piston Ring Kit		O SZ

Date: 2014/1/24	Image id: 1000735	Catalogue: 20045	Model: L50E
Brand: Volvo	Serial: 71001-72174	Group/Section: 214/150	Title: Valve mechanism

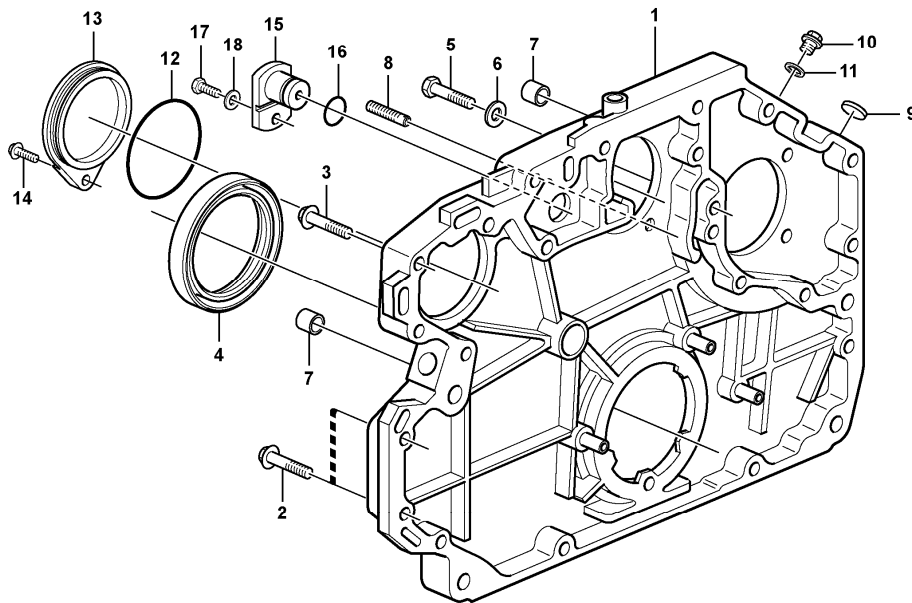


Section option	Kit	Option description
VOE11410478		Engine D4D LAE2

Pos	Part	Q1	Q2	Q3	Q4	Q5	PS	Kit	Description	Option(s)	Remark
1	VOE20459848	1							Bracket		
2	VOE20459847	3							Bracket		
3	VOE20459849	1							Bracket		
4	VOE20459853	5							Screw		
5	VOE20459850	8							Rocker arm		E PROD - 2006/01
5	VOE21448926	8							Rocker arm		(VOE20792876)L PROD 2006/02 -

6	VOE20405524	8							Screw		
7	VOE11700373	8							Nut		
8	VOE945495	8							Retaining ring		(VOE20549891)
9	VOE20460008	8							Push rod		
10	VOE20460007	8							Tappet		
11	VOE21019449	1							Camshaft		(VOE20555491)

Date: 2014/1/24	Image id: 1026147	Catalogue: 20045	Model: L50E
Brand: Volvo	Serial: 71001-72174	Group/Section: 215/100	Title: Timing gear casing and covers

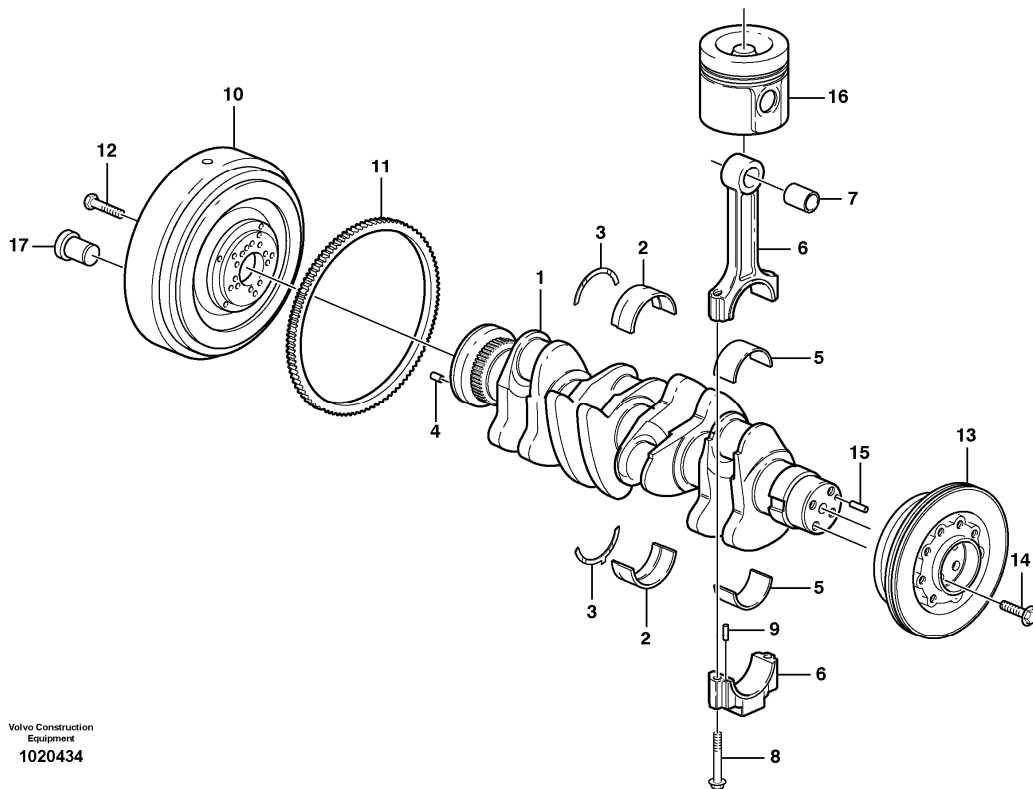


Volvo Construction
Equipment
1026147

Section option	Kit	Option description
VOE11410478		Engine D4D LAE2

Pos	Part	Q1	Q2	Q3	Q4	Q5	PS	Kit	Description	Option(s)	Remark
1	VOE20592807	1							Tmg Gear Cover		
2	VOE20412324	12							Screw		
3	VOE20450801	3							Screw		
4	VOE20459115	1							Crankshaft seal		
5	VOE20405653	2					SS		Screw		
6	VOE13955900	2							Washer		(VOE20539564)
7	VOE20585971	2							Bushing		
8	VOE20450795	1							Set screw		
9	VOE20405605	1							Cover		
10	VOE20451012	1							Screw		
11	VOE13947621	1							Plane gasket		
12	VOE20405652	1							Sealing ring		

Date: 2014/1/24	Image id: 1020434	Catalogue: 20045	Model: L50E
Brand: Volvo	Serial: 71001-72174	Group/Section: 216/100	Title: Crankshaft and related parts



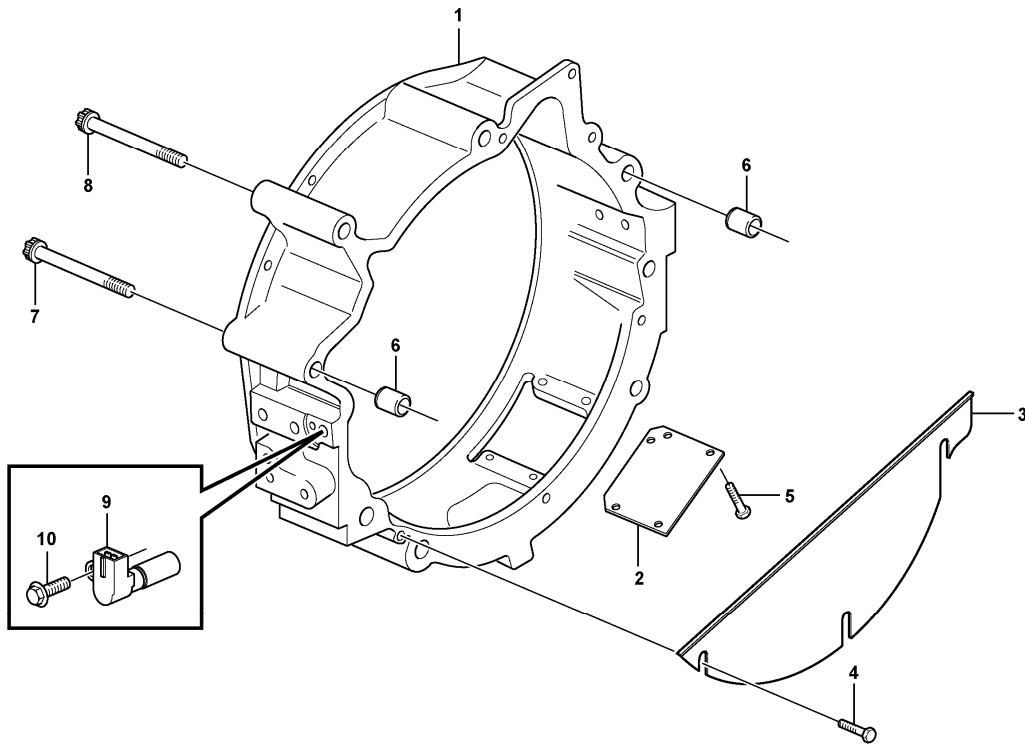
Volvo Construction
Equipment
1020434

Section option	Kit	Option description
VOE11410478		Engine D4D LAE2

Pos	Part	Q1	Q2	Q3	Q4	Q5	PS	Kit	Description	Option(s)	Remark
1	VOE20729184	1					SS		Crankshaft		ENG - 1026595
1	VOE20891184	1							Crankshaft		ENG 1026596 -
2	VOE20459140	5							Main bearing		STD = 84,00 MM
2	VOE20459139	REQ							Main Bearing		U SZ = 83,75 MM
3	VOE20459149	REQ							Thrust washer		STD WID = 14 MM THICK = 2,00 MM
3	VOE20459148	REQ							Thrust Washer		WID = 14 MM THICK = 2,20 MM
3	VOE20459143	REQ							Washer		STD WID = 10 MM THICK = 2,00 MM
3	VOE20459142	REQ							Thrust Washer		WID = 10 MM THICK = 2,20 MM
4	VOE20459144	10							Insert		

5	VOE20555403	6							Bearing		ENG - 695616 STD 63,00 MM
5	VOE20459147	REQ							Bearing		ENG - 695616 U SZ 62,75 MM
5	VOE20480536	6							Bearing		ENG 695617 - STD = 63,00 MM
5	VOE20522433	REQ							Bearing		ENG 695617 - U SZ = 62,75 MM
6	VOE20882905	4							Connecting Rod		
7	VOE20523284	4							•Bushing		
8	VOE20459133	8							•Bolt		
9	VOE20459134	8							•Pin		
10	VOE20524696	1							Flywheel		
11	VOE20405650	1							•Gear		
12	VOE20405654	10							Bolt		
13	VOE20515162	1							Pulley		(VOE20460198)
14	VOE20405724	4							Screw		
15	VOE20405634	1							Spring pin		
16		4							Piston		See ref 213/100
17	VOE20405643	5							Plug		

Date: 2014/1/24	Image id: 1026146	Catalogue: 20045	Model: L50E
Brand: Volvo	Serial: 71001-72174	Group/Section: 216/150	Title: Flywheel housing

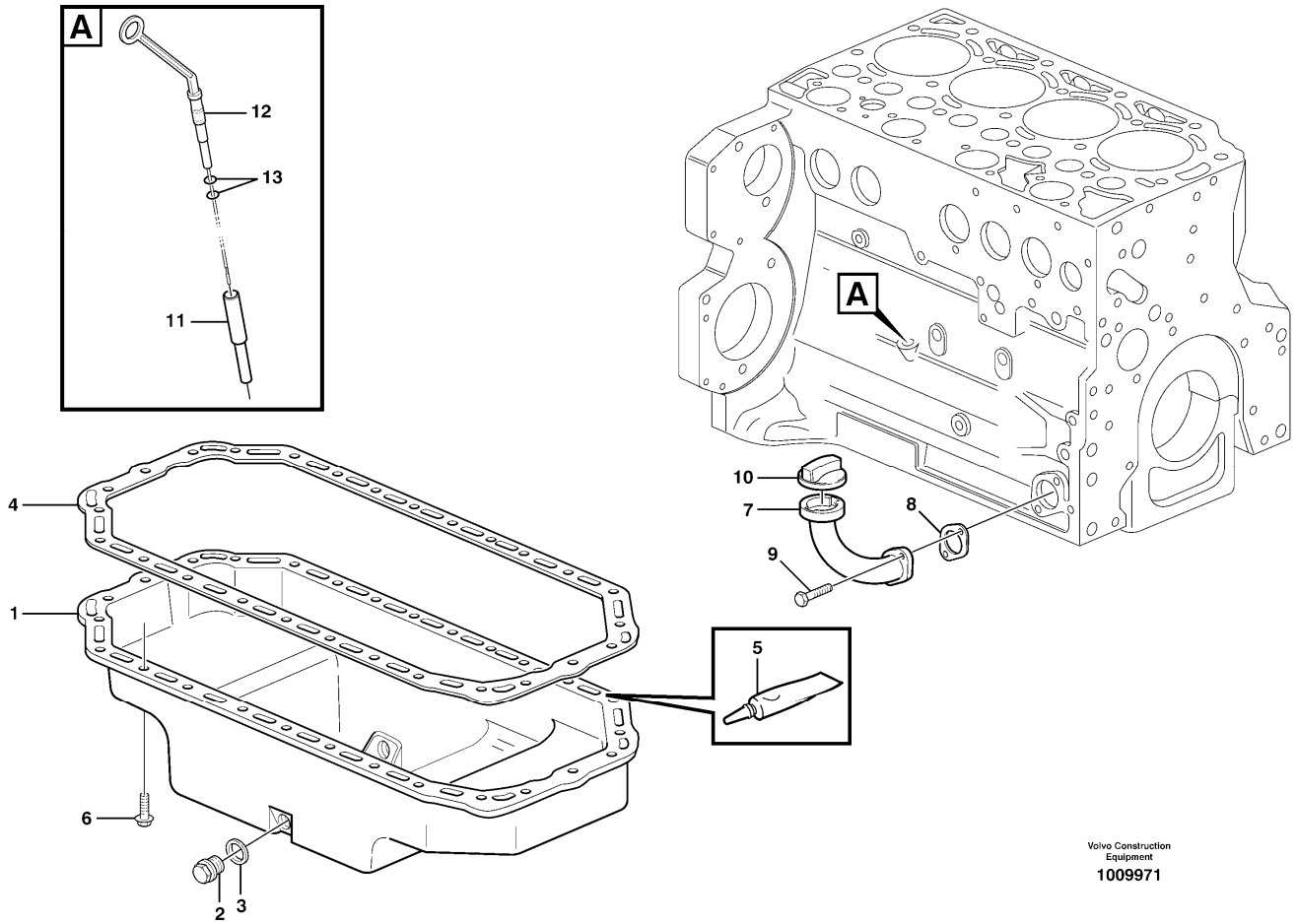


Volvo Construction
Equipment
1026146

Section option	Kit	Option description
VOE11410478		Engine D4D LAE2

Pos	Part	Q1	Q2	Q3	Q4	Q5	PS	Kit	Description	Option(s)	Remark
1	VOE21018780	1							Flywheel Hsg		(VOE20550335)ENG - 01099408
1	VOE21018780	1							Flywheel Hsg		(VOE21044436)ENG 01099409 -
2	VOE20547288	1							•Cover Plate		
3	VOE20459989	1							•Cover		
4	VOE20405729	3							•Screw		
5	VOE20405729	4							•Screw		
6	VOE20405887	2							Bushing		
7	VOE20459996	2							Screw		
8	VOE20459995	4							Screw		
9	VOE20964264	1							Sensor		(VOE20511126)

Date: 2014/1/24	Image id: 1009971	Catalogue: 20045	Model: L50E
Brand: Volvo	Serial: 71001-72174	Group/Section: 217/100	Title: Oil sump



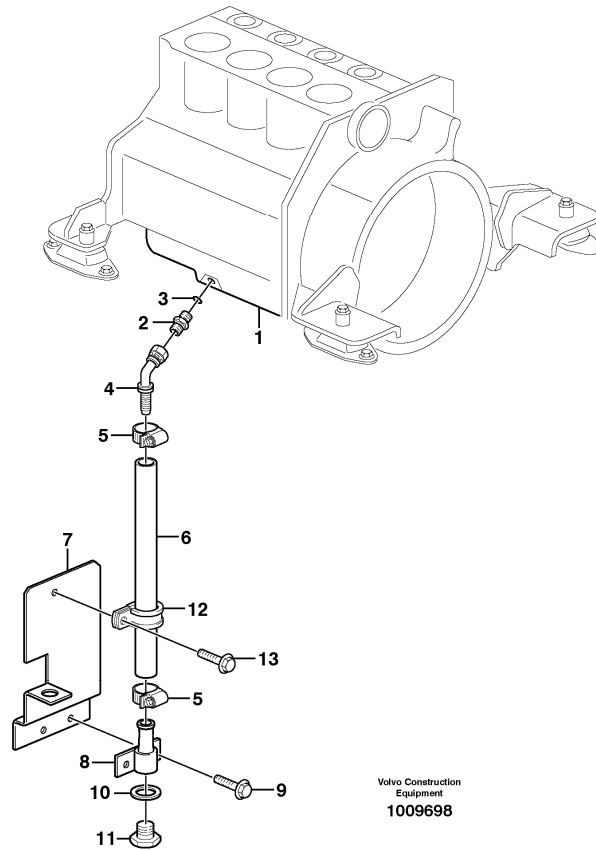
Volvo Construction
Equipment
1009971

Section option	Kit	Option description
VOE11410478		Engine D4D LAE2

Pos	Part	Q1	Q2	Q3	Q4	Q5	PS	Kit	Description	Option(s)	Remark
1	VOE20460018	1							Oil pan		
2	VOE20405506	1							•Plug		
3	VOE13947624	1							•Plane gasket		
4	VOE20460021	1							Gasket		
5		REQ					NS		Packing Compound		
6	VOE20405792	26							Screw		
7	VOE20496386	1							Filler neck		
8	VOE20405825	1							Gasket		
9	VOE20405885	2							Screw		
10	VOE20405835	1							Cap		
11	VOE20459164	1							Guide tube		

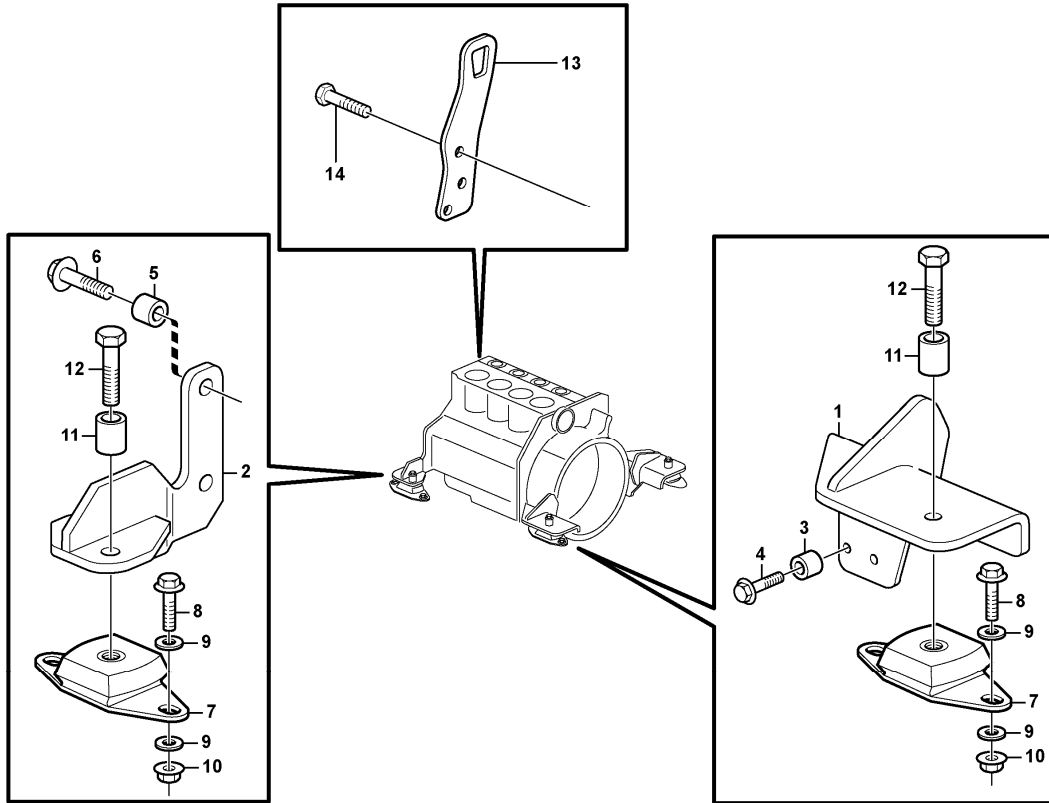
12	VOE24426240	1					SS		Dipstick		ENG - 01099408
12	VOE20912375	1							Dipstick		ENG 01099409 -
13	VOE20412343	2							•Sealing ring		

Date: 2014/1/24	Image id: 1009698	Catalogue: 20045	Model: L50E
Brand: Volvo	Serial: 71001-72174	Group/Section: 217/150	Title: Oil drain



Pos	Part	Q1	Q2	Q3	Q4	Q5	PS	Kit	Description	Option(s)	Remark
1		1							Oil Pan		See ref 217/100
2	VOE4881646	1							Nipple		
3	VOE11993538	1							•O-ring		
		1					NS		•Back-up ring		
4	VOE6209648	1							Nipple		
5	VOE13943472	2							Hose clamp		
6	VOE13961191	REQ							Hydraulic hose		L = 520MM
7	11172578	1					NS		Bracket		
8	VOE11410656	1							Nipple		
9	VOE946671	2							Flange screw		
10	VOE947083	1							Gasket		
11	VOE960628	1							Plug		
12	VOE952633	1							Clamp		
13	VOE13946544	1							Screw		

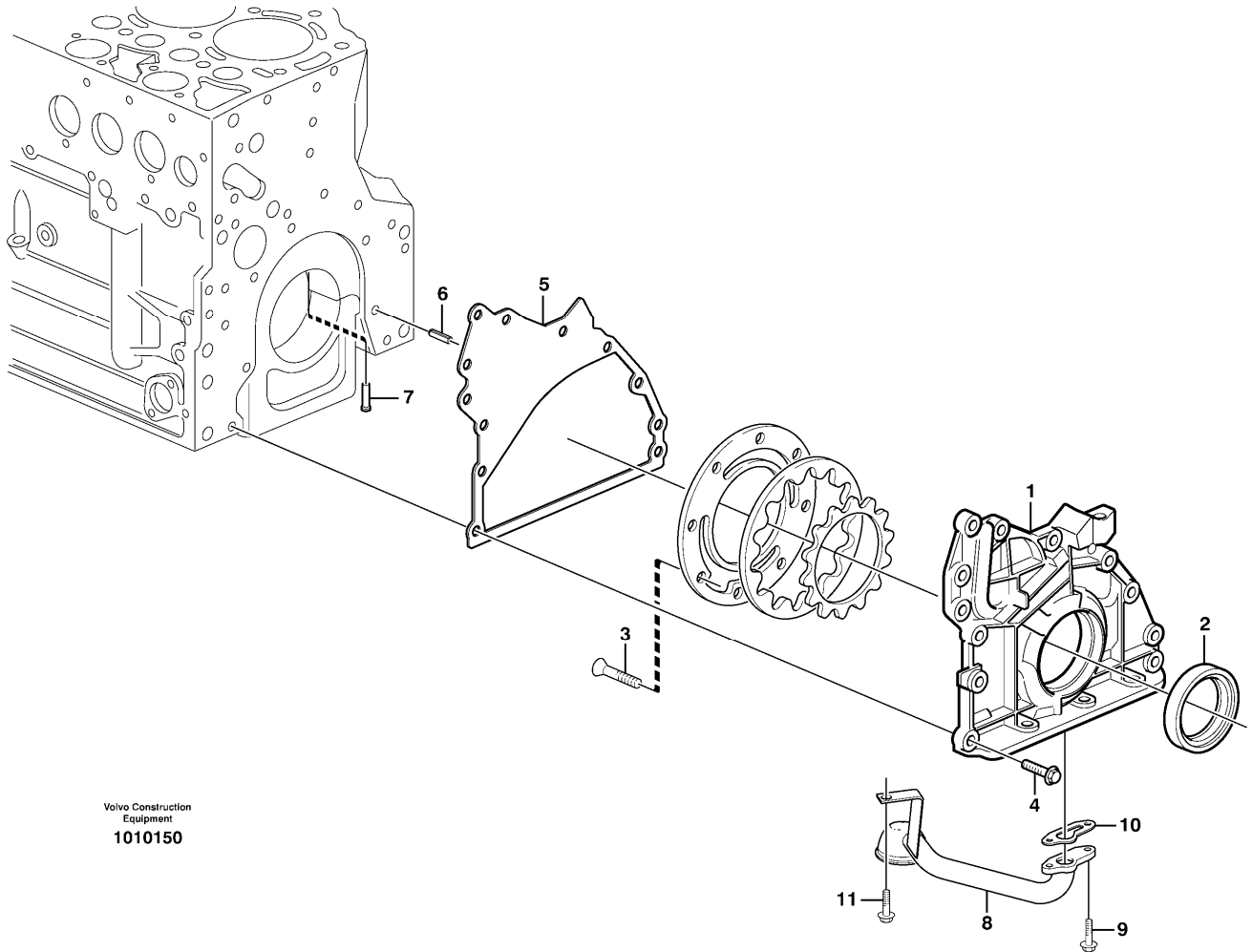
Date: 2014/1/24	Image id: 1017678	Catalogue: 20045	Model: L50E
Brand: Volvo	Serial: 71001-72174	Group/Section: 218/100	Title: Engine mounting



Volvo Construction
Equipment
1017678

Pos	Part	Q1	Q2	Q3	Q4	Q5	PS	Kit	Description	Option(s)	Remark
1	VOE11410392	1							Plate		LH
1	VOE11410391	1							Plate		RH
2	VOE11410404	1							Engine anchorage		LH
2	VOE11410383	1							Engine anchorage		RH
3	VOE4850822	8							Spacer		
4	VOE13965192	8							Screw		
5	VOE4713119	4							Spacer ring		
6	VOE13968302	4							Flange screw		
7	VOE11090592	4							Rubber cushion		
8	VOE13965192	8							Screw		
9	VOE13960145	16							Washer		
10	VOE971099	8							Flange lock nut		
11	VOE4713119	4							Spacer ring		
12	VOE13968302	4							Flange screw		
13	VOE20450854	2					OP		Lifting eye		

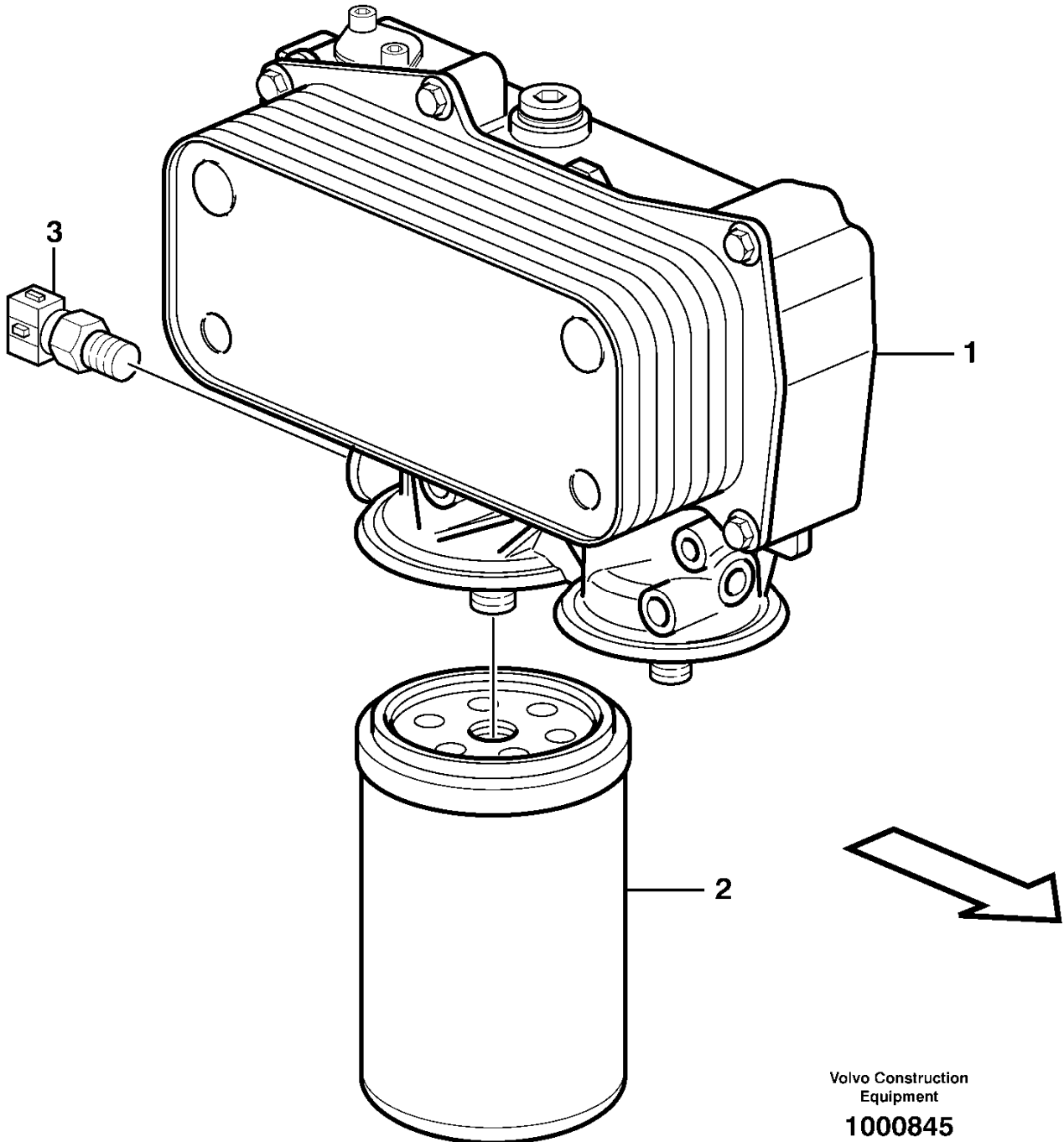
Date: 2014/1/24	Image id: 1010150	Catalogue: 20045	Model: L50E
Brand: Volvo	Serial: 71001-72174	Group/Section: 221/100	Title: Lubricating oil system



Section option	Kit	Option description
VOE11410478		Engine D4D LAE2

Pos	Part	Q1	Q2	Q3	Q4	Q5	PS	Kit	Description	Option(s)	Remark
1	VOE20726088	1							Lub Oil Pump		(VOE20476117)
2	VOE20459168	1							•Crankshaft seal		
3	VOE20451738	8							•Screw		
4	VOE20412324	10							Screw		
5	VOE20537029	1							Gasket		
6	VOE20405603	1							Spring pin		
7	VOE20405561	4							Piston		
8	VOE20460016	1							Oil pipe		
9	VOE13949578	2							Screw		
10	VOE20405888	1							Gasket		(VOE11700391)

Date: 2014/1/24	Image id: 1000845	Catalogue: 20045	Model: L50E
Brand: Volvo	Serial: 71001-72174	Group/Section: 222/100	Title: Oil filter



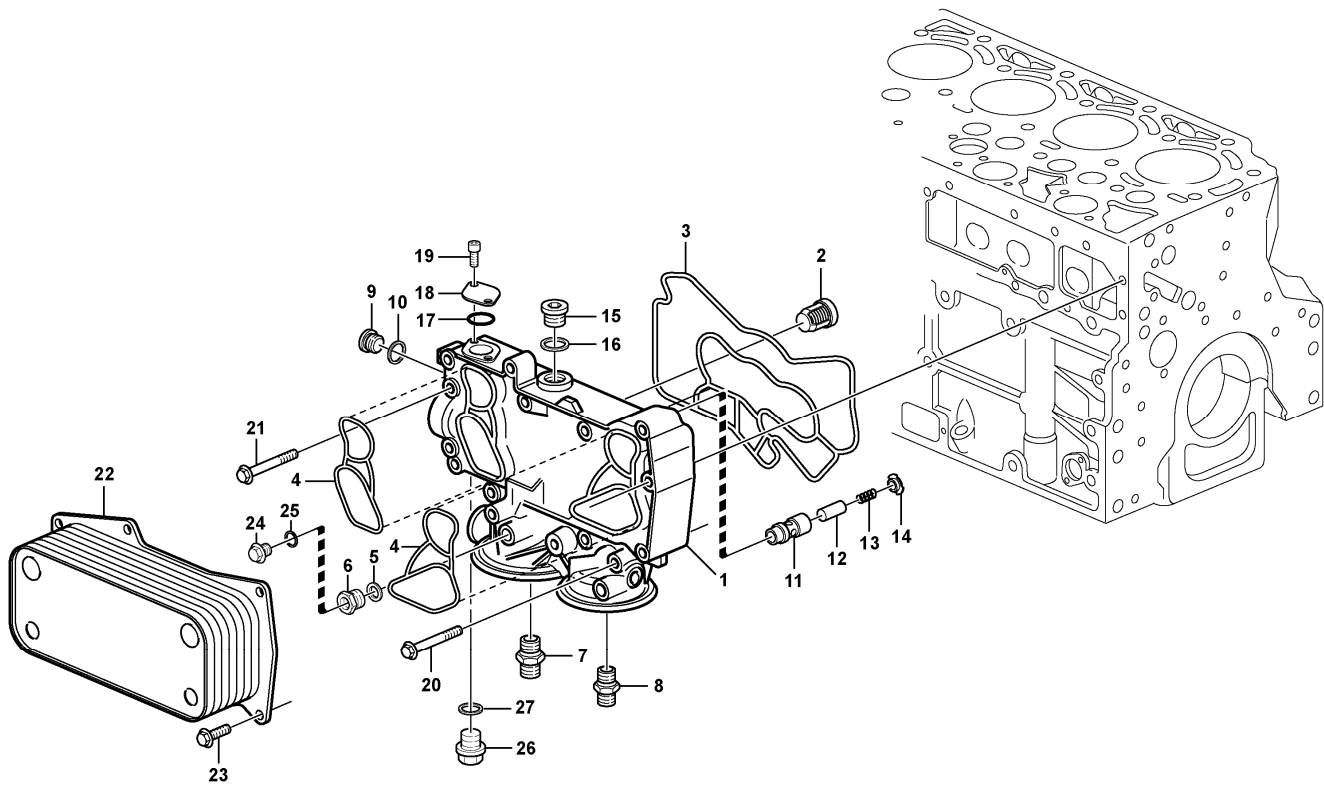
Volvo Construction
Equipment
1000845

Section option	Kit	Option description
VOE11410478		Engine D4D LAE2

Pos	Part	Q1	Q2	Q3	Q4	Q5	PS	Kit	Description	Option(s)	Remark
-----	------	----	----	----	----	----	----	-----	-------------	-----------	--------

1		1							Oil Cooler		See ref 223/100
2	VOE11700375	1							Oil filter		
3	VOE20450687	1							Sensor		ENG - 940127
3	VOE21291011	1							Pressure sensor		ENG 940128 -

Date: 2014/1/24	Image id: 1054250	Catalogue: 20045	Model: L50E
Brand: Volvo	Serial: 71001-72174	Group/Section: 223/100	Title: Oil cooler



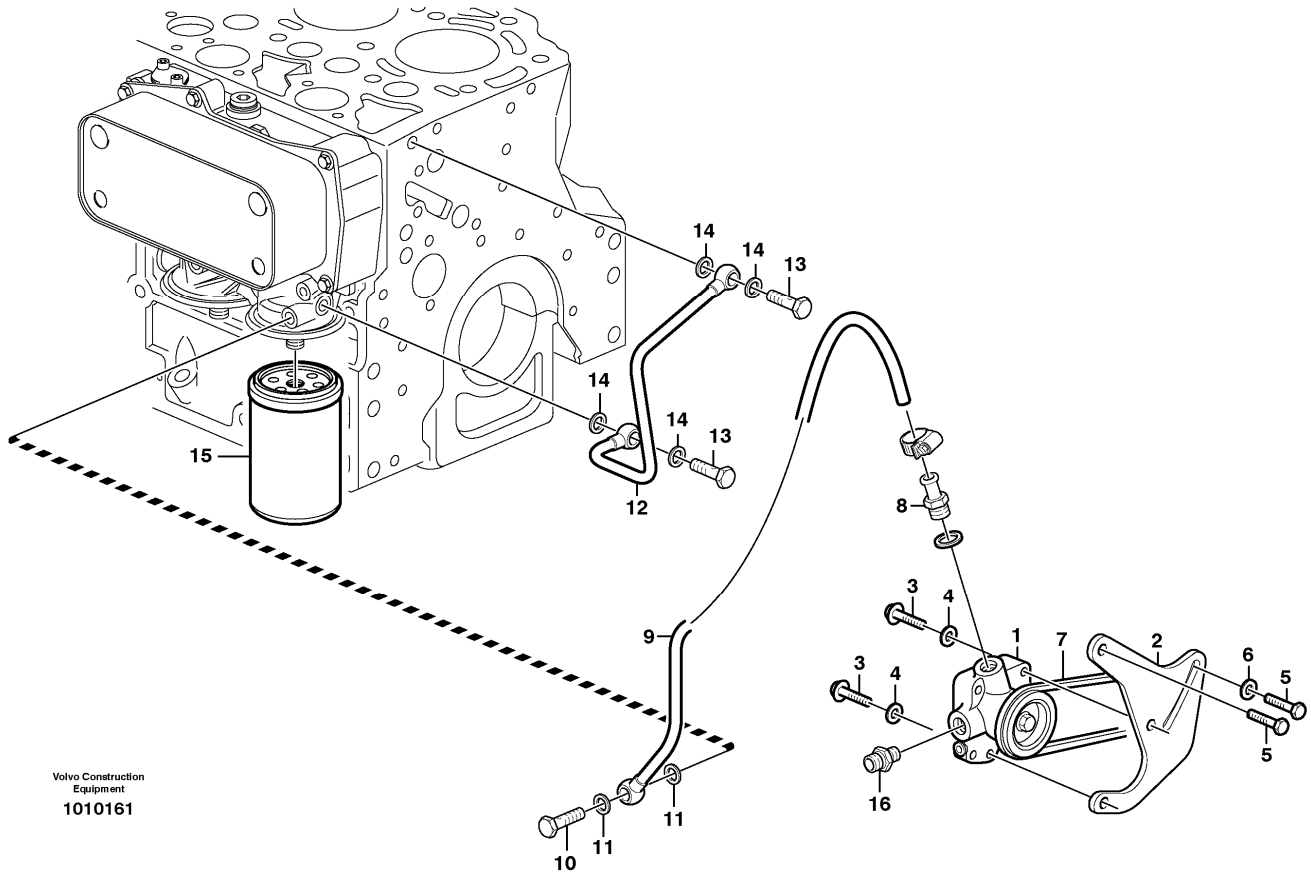
Volvo Construction
Equipment
1054250

Section option	Kit	Option description
VOE11410478		Engine D4D LAE2

Pos	Part	Q1	Q2	Q3	Q4	Q5	PS	Kit	Description	Option(s)	Remark
1	VOE21240959	1							Oil cooler		
2	VOE20459204	1							•Valve		
3	VOE20459203	1							•Gasket		
4	VOE20459202	2							•Gasket		
5	VOE13969011	1							•Gasket		
6	VOE21100412	1							•Screw		
7	VOE20459201	1							•Nipple		
8	VOE20459200	1							•Nipple		(VOE20549894)
9	VOE20502245	1							•Screw plug		
10	VOE13947622	1							•Plane gasket		
11	VOE21100405	1							•Valve seat		
12	VOE20862028	1							•Control plunger		

13	VOE21100407	1							•Spring		
14	VOE21100410	1							•Sleeve		
15	VOE20459195	1							•Plug		
16	VOE13947628	1							•Plane gasket		
17	VOE20405599	1							•Sealing ring		
18	VOE21072778	1							•Flange		
19	VOE20405885	2							•Screw		
20	VOE20405917	3							•Screw		
21	VOE20405672	5							•Screw		
22	VOE20532396	1							Oil Cooler		
23	VOE20405885	7							Screw		
24	VOE20450895	1							Plug		
24	VOE21011809	1							Plug		INCL. SEALING RING
25	VOE13947281	1							Gasket		
26	VOE888474	1							Plug		
27	VOE20450890	1							Sealing ring		

Date: 2014/1/24	Image id: 1010161	Catalogue: 20045	Model: L50E
Brand: Volvo	Serial: 71001-72174	Group/Section: 233/100	Title: Fuel pump

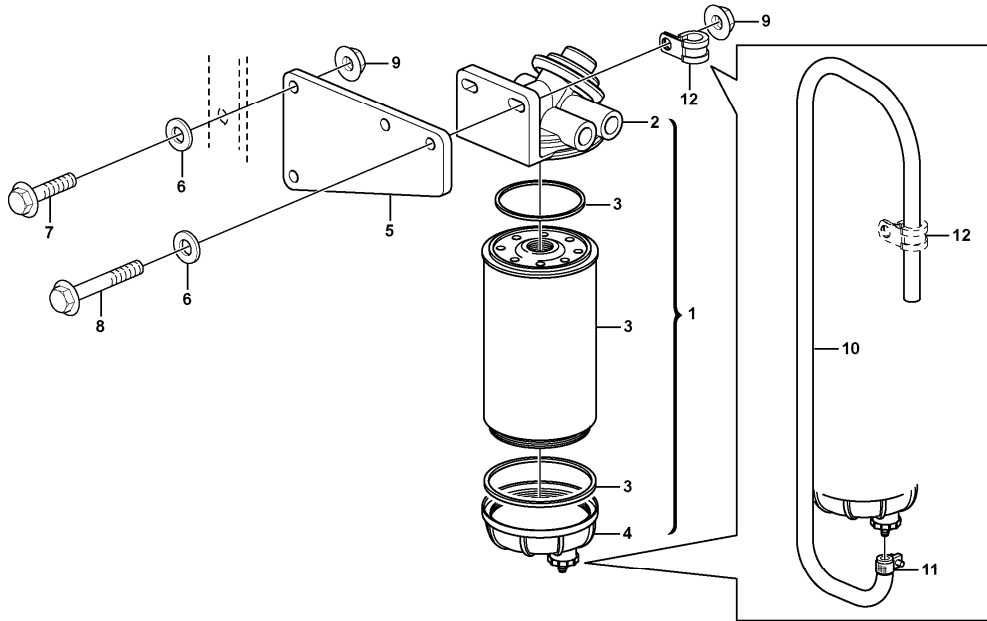


Section option	Kit	Option description
VOE11410478		Engine D4D LAE2

Pos	Part	Q1	Q2	Q3	Q4	Q5	PS	Kit	Description	Option(s)	Remark
1	VOE21203674	1							Fuel pump		(VOE20537030)
2	VOE20880927	1							Bracket		(VOE20460032)ENG - 01099408
2	VOE20880927	1							Bracket		ENG 01099409 -
3	VOE20498538	2							Screw		(VOE11700474)
4	VOE20460063	2							Spring washer		
5	VOE20783276	2							Hexagon screw		
6	VOE20405734	1							Washer		
7		1							V-belt		See ref 262/100
8	VOE20405767	1							Hose nipple		(VOE11702725)
9	VOE20460044	1							Fuel pipe		
10	VOE7025167	1							Hollow screw		
11	VOE976929	2							Gasket		

12	VOE20791434	1							Fuel pipe		
13	VOE7025167	2							•Hollow screw		
14	VOE13969011	4							•Gasket		
11	VOE20405729	2							Screw		
12	VOE973494	1							Washer		(VOE20459183)
13	VOE20460045	2							Clamp		
14	VOE20481769	1							Bushing		
15	VOE11708555	1							Fuel filter		
16		1							Connector		See ref 235/100

Date: 2014/1/24	Image id: 1016604	Catalogue: 20045	Model: L50E
Brand: Volvo	Serial: 71001-72174	Group/Section: 233/200	Title: Water separator



Volvo Construction
Equipment
1016604

Q1-Q5	Option	Option description	
Q1 11110471			
Q2 11110670			

Pos	Part	Q1	Q2	Q3	Q4	Q5	PS	Kit	Description	Option(s)	Remark
1	VOE11110471	1					SS		Water separator		
1	VOE11110670		1						Water separator		
2	VOE11713138	1							•Filter housing		
3	VOE11110474	1	1						•Primary filter		
4	VOE3943382	1							•Bowl		
5	VOE11410596	1	1						Anchorage		
6	VOE13960143	8	8						Washer		
7	VOE946472	2	2						Flange screw		
8	VOE13965185	2	2						Screw		
9	VOE13971098	4	4						Flange nut		
10	VOE949908	REQ	REQ						Hose		L = 730MM

Thank you so much for reading.
Please click the “Buy Now!”
button below to download the
complete manual.



After you pay.

You can download the most
perfect and complete manual in
the world immediately.

Our support email:

ebooklibonline@outlook.com