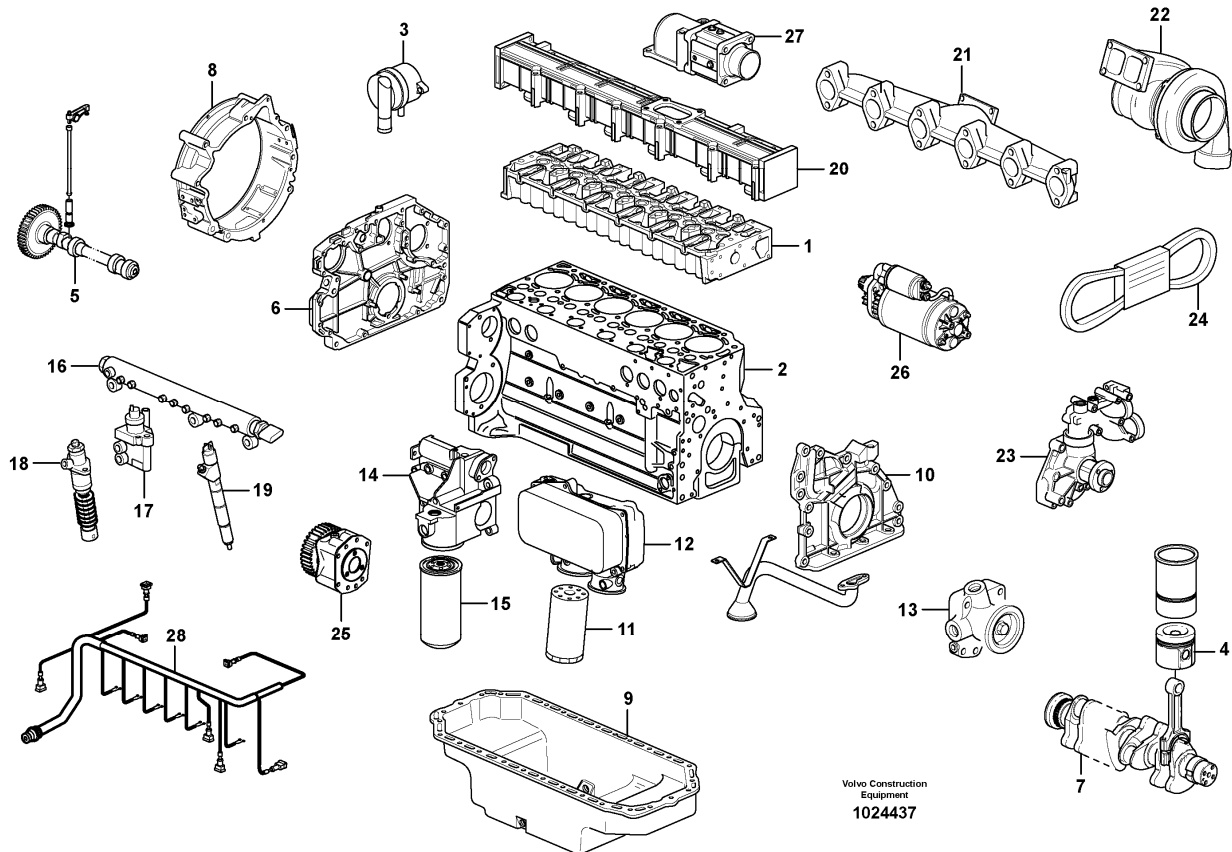


Date: <b>2014/1/26</b>	Image id: <b>1024437</b>	Catalogue: <b>20103</b>	Model: <b>L60F</b>
Brand: <b>Volvo</b>	Serial: <b>4004-, 61401-, 70601-</b>	Group/Section: <b>210/100</b>	Title: <b>Engine</b>

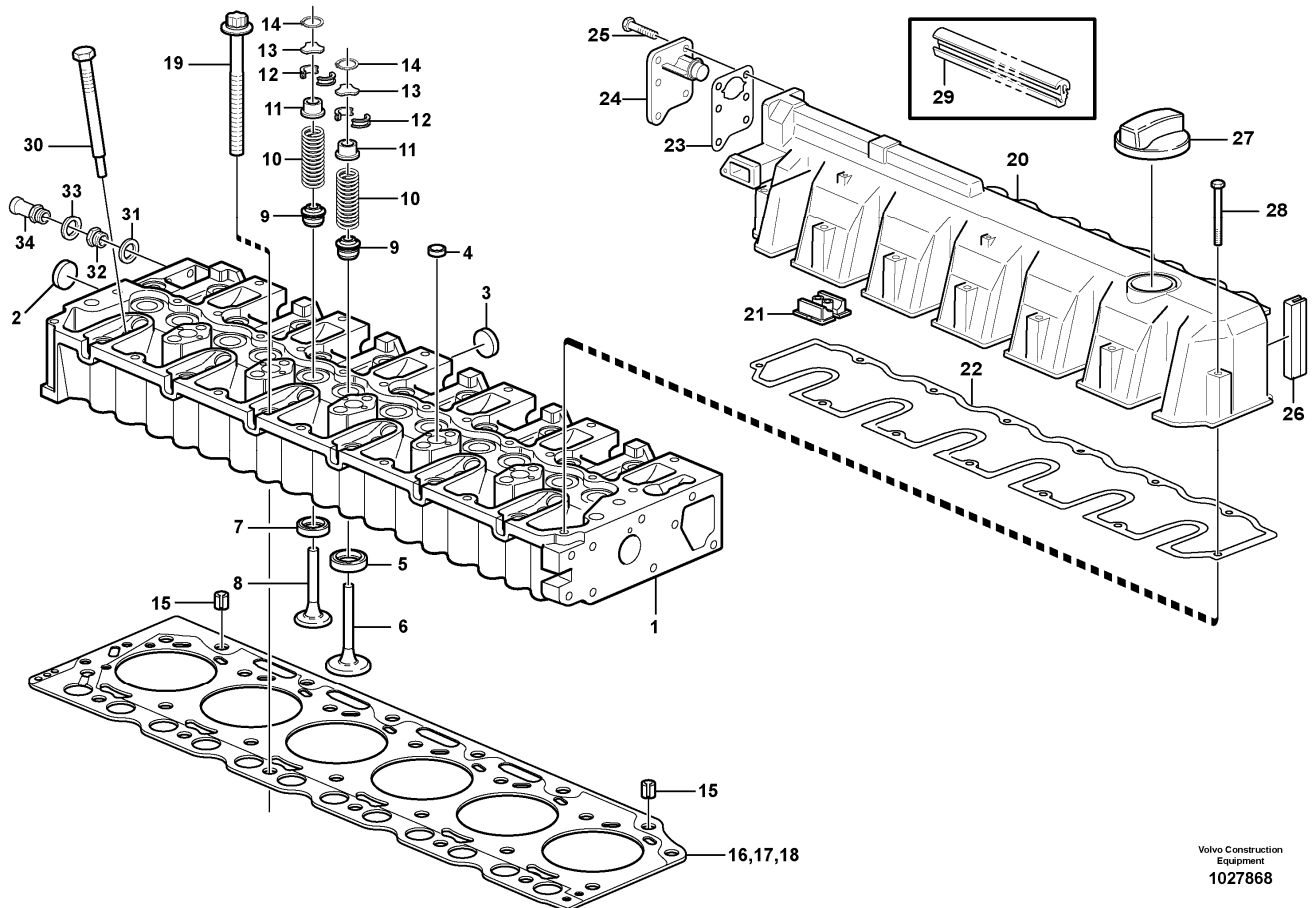


Section option	Kit	Option description
VOE11411086		Engine D6ELCE3

Pos	Part	Q1	Q2	Q3	Q4	Q5	PS	Kit	Description	Option(s)	Remark
	VOE11411086	1							Engine		D6E LCE3
1		1							•Cylinder head		See ref 211/100
2		1							•Cylinder block		See ref 212/100
3		1							•Crankcase ventilation		See ref 212/150
4		6							•Piston		See ref 213/100
5		1							•Valve mechanism		See ref 214/100
6		1							•Timing gear casing		See ref 215/100
7		1							•Crankshaft		See ref 216/100
8		1							•Flywheel Hsg		See ref 216/150
9		1							•Oil sump		See ref 217/100

10		1							•Lubricating system		See ref 221/100
11		1							•Oil filter		See ref 223/100
12		1							•Oil cooler		See ref 223/100
13		1							•Fuel pump		See ref 233/100
14		1							•Expansion Tank		See ref 233/150
15		1							•Fuel Filter		See ref 233/150
16		1							•Rail		See ref 237/100
17		1							•Regulator		See ref 237/100
18		2							•Pump Unit		See ref 237/100
19		6							•Injector		See ref 237/100
20		1							•Inlet Manifold		See ref 251/100
21		1							•Exhaust pipe		See ref 251/100
22		1							•Turbocharger		See ref 255/100
23		1							•Coolant Pump		See ref 262/100
24		1							•Belt Xmsn		See ref 263/400
25		1							•Pump drive		See ref 263/450
26		1							•Starter motor		See ref 331/100
27		1							•Starter Element		See ref 333/100
28		1							•Cable harness		See ref 371/150

Date: <b>2014/1/26</b>	Image id: <b>1027868</b>	Catalogue: <b>20103</b>	Model: <b>L60F</b>
Brand: <b>Volvo</b>	Serial: <b>4004-, 61401-, 70601-</b>	Group/Section: <b>211/100</b>	Title: <b>Cylinder head</b>



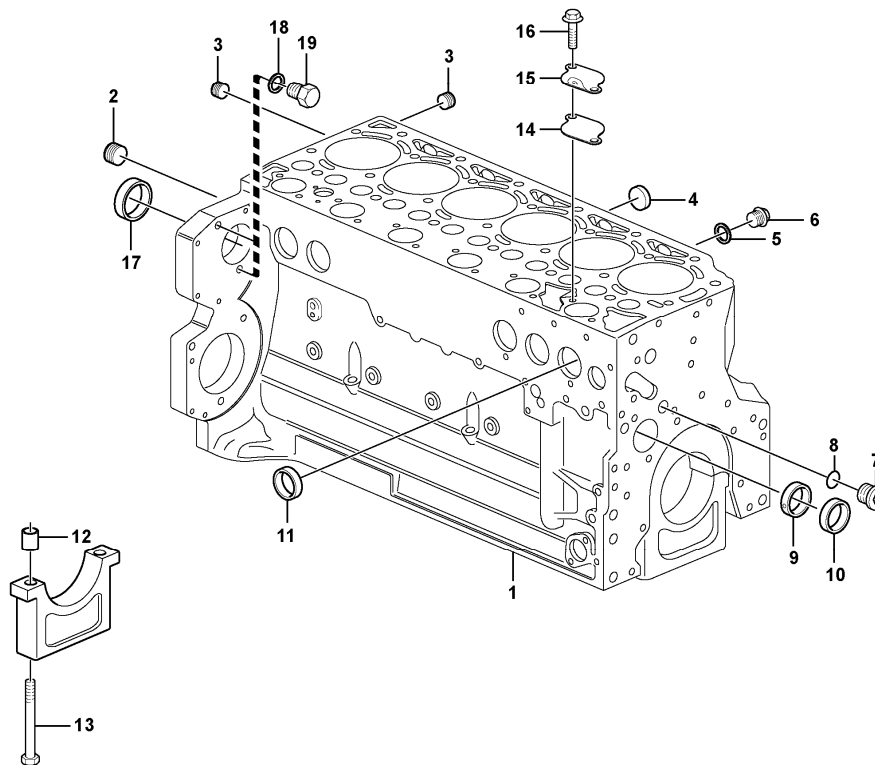
Volvo Construction  
Equipment  
1027868

Section option	Kit	Option description
VOE11411086		Engine D6ELCE3

Pos	Part	Q1	Q2	Q3	Q4	Q5	PS	Kit	Description	Option(s)	Remark
1	VOE20855301	1							Cylinder head		
2	VOE20914266	1							•Core Plug		
3	VOE20412745	5							•Core plug		
4	VOE20412733	5							•Core plug		
5	VOE20849976	6							•Valve seat		
6	VOE20798699	6							•Inlet valve		
7	VOE20849979	6							•Valve seat		
8	VOE20798533	6							•Exhaust Valve		
9	VOE20459855	12							•Valve seal		
10	VOE20459851	12							•Valve spring		
11	VOE20840747	12							•Spring Disc		

12	VOE20459857	24							•Valve sleeve		
13	VOE20840807	12							•Thrust Washer		
14	VOE20840772	12							•Snap Ring		
15	VOE20459839	2							Bushing		
16	VOE20798183	1							Cyl Head Gasket		THICK = 1,27 MM 1 BORE
17	VOE20798186	1							Cyl Head Gasket		THICK = 1,37 MM 2 BORES
18	VOE20798191	1							Cyl Head Gasket		THICK = 1,47 MM 3 BORES
19	VOE20459838	19							Bolt		
20	VOE21037969	1							Valve Cover		
21	VOE20412590	1							•Cap		
22	VOE20841035	1							•Gasket		
23	VOE20840801	1							•Gasket		
24	VOE20933359	1							•Oil Separator		
25	VOE20797542	6							•Screw		
26	VOE20859647	2							•Seal		
27	VOE20412589	1							Filler cap		
28	VOE21145471	13							Flange screw		(VOE21037380)
29	VOE20933362	1							Seal		
30	VOE20405895	1							Plug		
31	VOE993358	1							Gasket		(VOE20459972)
32	VOE20516927	1							Sealing ring		
33	VOE13947281	1							Gasket		
34	VOE20483764	1							Nipple		

Date: <b>2014/1/26</b>	Image id: <b>1056312</b>	Catalogue: <b>20103</b>	Model: <b>L60F</b>
Brand: <b>Volvo</b>	Serial: <b>4004-, 61401-, 70601-</b>	Group/Section: <b>212/100</b>	Title: <b>Cylinder block</b>



Volvo Construction  
Equipment  
1056312

Section option	Kit	Option description
VOE11411086		Engine D6ELCE3

Pos	Part	Q1	Q2	Q3	Q4	Q5	PS	Kit	Description	Option(s)	Remark
1	VOE21077566	1							Crankcase		
2	VOE20785813	1							•Plug		
3	VOE20508600	2							•Plug		
4	VOE20412745	5							•Core plug		
5	VOE13969011	2							•Gasket		
6	VOE20405716	2							•Plug		
7	VOE20998904	1							•Plug		
8	VOE20998903	1							•Sealing ring		
9	VOE20459998	1							•Camshaft bushing		
10	VOE20459999	6							•Camshaft bushing		
11	VOE20405721	9							•Core plug		

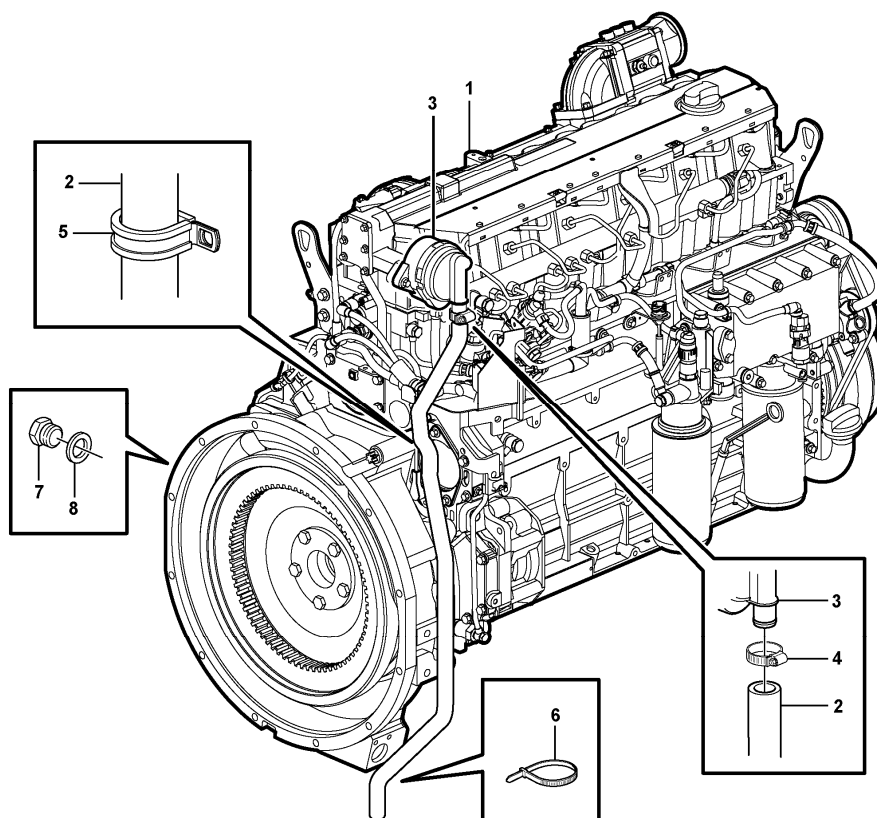
12	VOE20460001	14							•Bushing		
13	VOE20460006	14							•Screw		
14	VOE20933203	1							Gasket		
15	VOE20840812	1							Cover		
16	VOE20405792	2							Screw		
17	VOE20793501	1							Plug		
18	VOE13947281	2							Gasket		
19	VOE20441859	2							Plug		







Date: <b>2014/1/26</b>	Image id: <b>1023954</b>	Catalogue: <b>20103</b>	Model: <b>L60F</b>
Brand: <b>Volvo</b>	Serial: <b>4004-, 61401-, 70601-</b>	Group/Section: <b>212/200</b>	Title: <b>Crankcase ventilation</b>

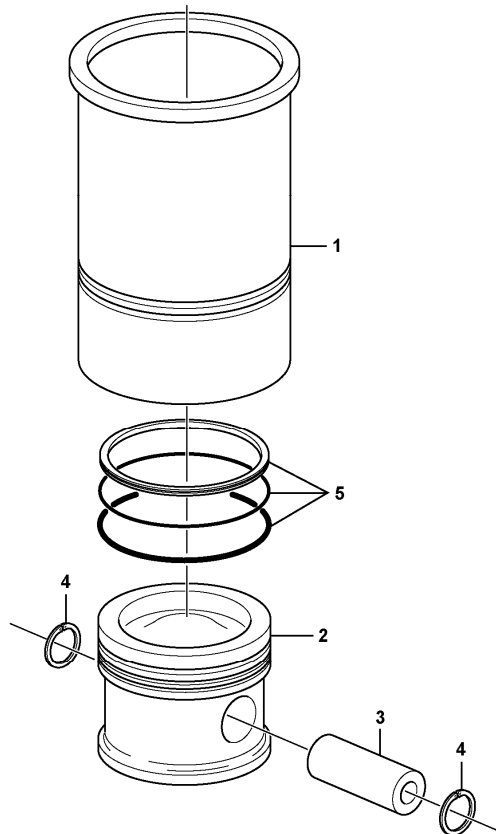


Volvo Construction  
Equipment  
1023954

Section option	Kit	Option description
VOE33761		Wheel Loader L60F

Pos	Part	Q1	Q2	Q3	Q4	Q5	PS	Kit	Description	Option(s)	Remark
1		1							Motor		See ref 210/100
2	VOE11445236	1							Hose		
3		1							Crankcase ventilation		See ref 212/150
4	VOE13943474	1							Hose clamp		
5	VOE13949997	1							Clamp		
6	VOE4881440	1							Cable tie		
7	VOE11173944	6							Plug		
8	VOE13947282	6							Gasket		

Date: <b>2014/1/26</b>	Image id: <b>1024633</b>	Catalogue: <b>20103</b>	Model: <b>L60F</b>
Brand: <b>Volvo</b>	Serial: <b>4004-, 61401-, 70601-</b>	Group/Section: <b>213/100</b>	Title: <b>Cylinder liner and piston</b>

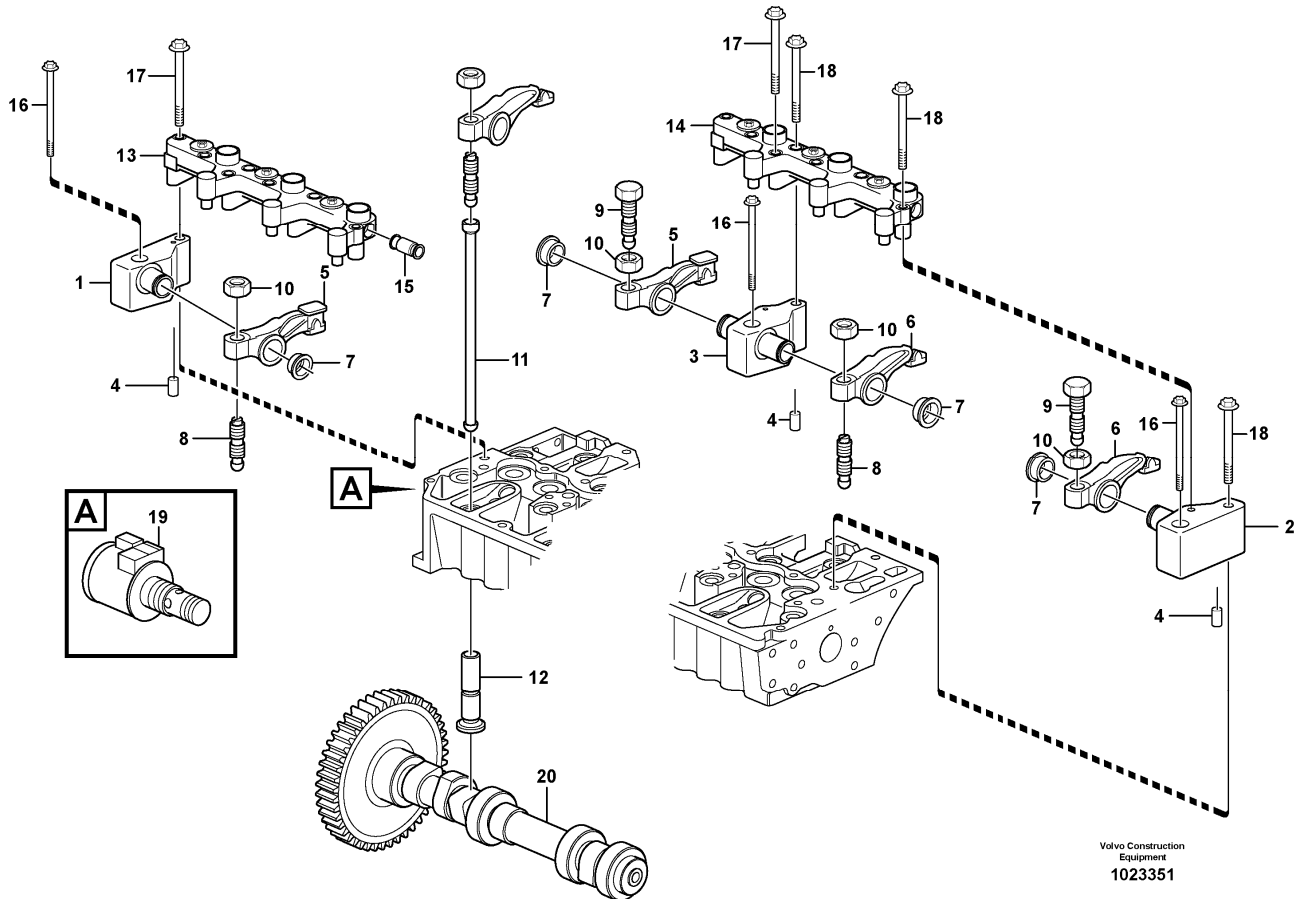


Volvo Construction  
Equipment  
1024633

Section option	Kit	Option description
VOE11411086		Engine D6ELCE3

Pos	Part	Q1	Q2	Q3	Q4	Q5	PS	Kit	Description	Option(s)	Remark
1	VOE20890422	6							Cyl Liner Kit		
2	VOE20798851	6					NS		•Piston		
3	VOE20798843	6							••Piston Pin		
4	VOE20798020	12							••Lock Ring		
5	VOE20799069	6							••Piston Ring Kit		

Date: <b>2014/1/26</b>	Image id: <b>1023351</b>	Catalogue: <b>20103</b>	Model: <b>L60F</b>
Brand: <b>Volvo</b>	Serial: <b>4004-, 61401-, 70601-</b>	Group/Section: <b>214/100</b>	Title: <b>Valve mechanism</b>

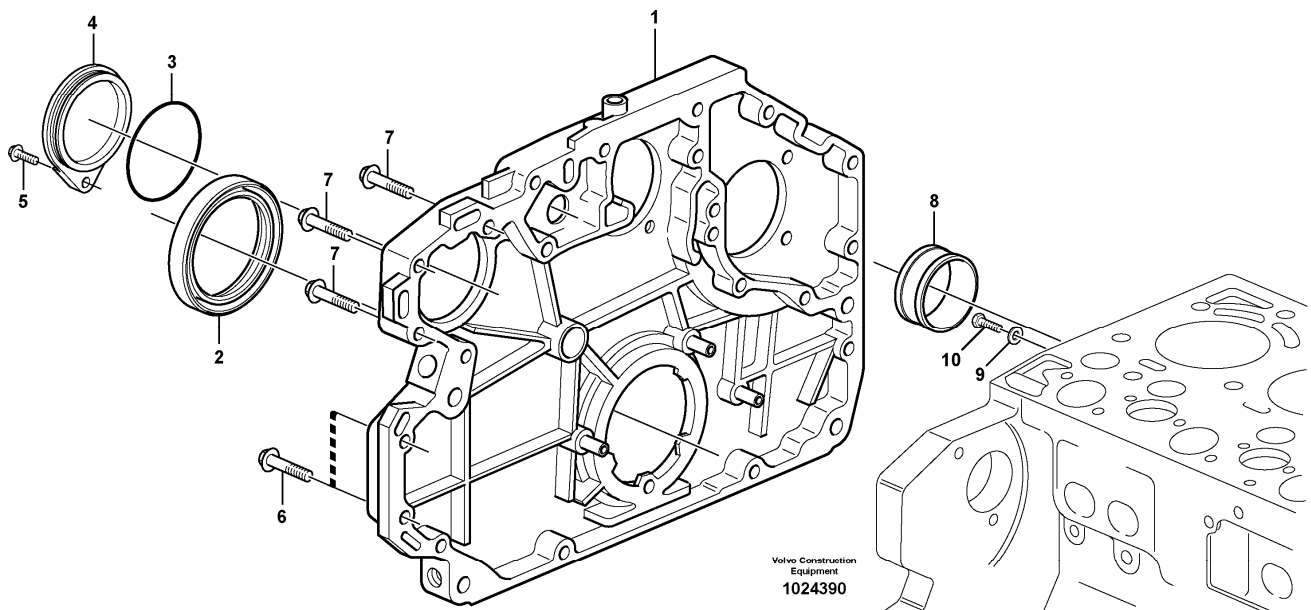


Section option	Kit	Option description
VOE11411086		Engine D6ELCE3

Pos	Part	Q1	Q2	Q3	Q4	Q5	PS	Kit	Description	Option(s)	Remark
1	VOE20799056	1							Bracket		
2	VOE20799047	1							Bracket		
3	VOE20799053	5							Bracket		
4	VOE20790837	7							Pin		
5	VOE20792878	6							Rocker Arm		
6	VOE21448926	6							Rocker arm		(VOE20792876)
7	VOE20794115	12							Retaining ring		
8	VOE20913851	6							Adjusting Screw		
9	VOE20816389	6							Adjusting Screw		
10	VOE11700373	12							Nut		
11	VOE20460008	12							Push rod		



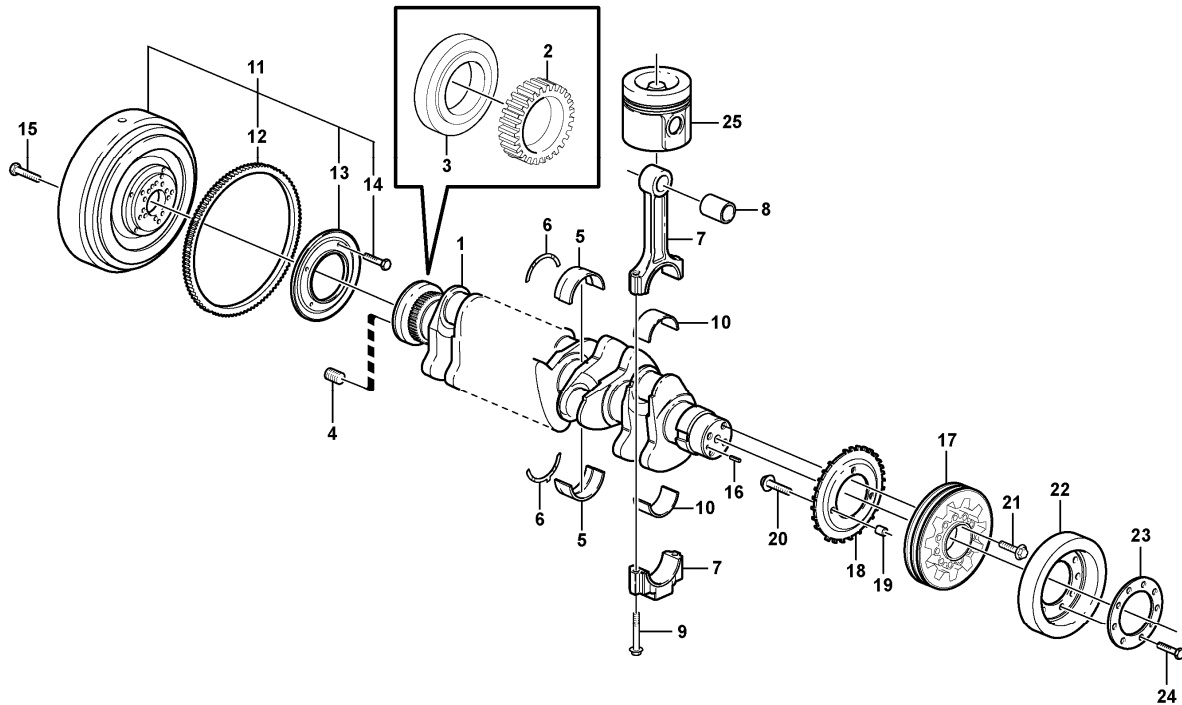
Date: <b>2014/1/26</b>	Image id: <b>1024390</b>	Catalogue: <b>20103</b>	Model: <b>L60F</b>
Brand: <b>Volvo</b>	Serial: <b>4004-, 61401-, 70601-</b>	Group/Section: <b>215/100</b>	Title: <b>Timing gear casing</b>



Section option	Kit	Option description
VOE11411086		Engine D6ELCE3

Pos	Part	Q1	Q2	Q3	Q4	Q5	PS	Kit	Description	Option(s)	Remark
1	VOE20841195	1							Gear Housing		
2	VOE20929860	1							Crankshaft Seal		
3	VOE20405652	1							Sealing ring		
4	VOE20950063	1							Cover		
5	VOE20405672	1							Screw		
6	VOE20412324	12							Screw		
7	VOE20450801	3							Screw		
8	VOE20460092	1							Bushing		
9	VOE20460087	1							Washer		
10	VOE20460101	1							Screw		

Date: <b>2014/1/26</b>	Image id: <b>1024406</b>	Catalogue: <b>20103</b>	Model: <b>L60F</b>
Brand: <b>Volvo</b>	Serial: <b>4004-, 61401-, 70601-</b>	Group/Section: <b>216/100</b>	Title: <b>Crankshaft and related parts</b>



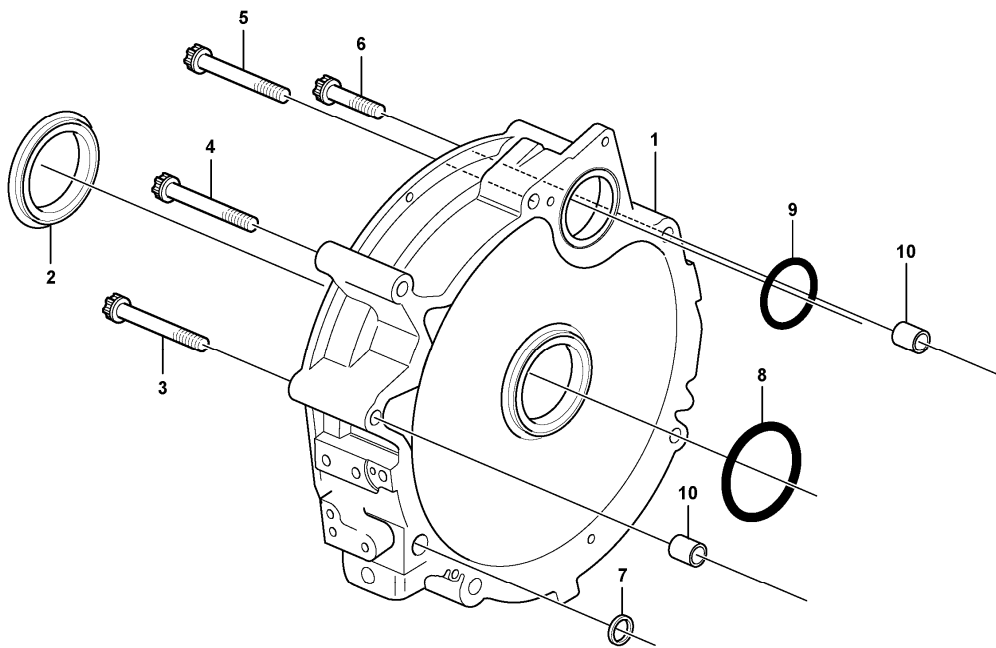
Volvo Construction  
Equipment  
1024406

Section option	Kit	Option description
VOE11411086		Engine D6ELCE3

Pos	Part	Q1	Q2	Q3	Q4	Q5	PS	Kit	Description	Option(s)	Remark
1	VOE20838068	1							Crankshaft		
2	VOE20838102	1							•Gear		
3	VOE20791429	1							•Flywheel companion flange		
4	VOE20459144	10							Insert		
5	VOE20850106	7							Main Bearing		STD 84,00 MM
5	VOE20850110	7							Main Bearing		U SZ 83,75 MM
6	VOE20850116	2							Thrust washer		STD 2,15 MM
6	VOE20850122	2							Thrust Washer		O SZ 2,35 MM
7	VOE20851091	6							Connecting rod		
8	VOE20799647	6							•Piston Bearing		

9	VOE20799587	12							•Bolt		
10	VOE20850096	6							Big End Brg Kit		STD 63,00 MM
10	VOE20850097	6							Big End Brg Kit		U SZ 62,75 MM
11	VOE20917910	1							Flywheel		
12	VOE20450830	1							•Gear		
13	VOE20918003	1							•Ring		
14	VOE20933839	4							•Screw		
15	VOE20450835	10							Screw		
16	VOE20450628	1							Pin		
17	VOE20516985	1							Pulley		
18	VOE20841180	1							Lock Washer		
19	VOE20450838	1							Pin		
20	VOE888289	3							Hexagon screw		
21	VOE20405724	4							Screw		
22	VOE20585446	1							Vibration damper		
23	VOE21022723	1							Washer		ENG - 10779813
24	VOE20450756	9							Screw		M10X25    ENG 10779813
24	VOE993357	9							Flange screw		M10X20            ENG 10779814 -
25		1							Piston		See ref 213/100

Date: <b>2014/1/26</b>	Image id: <b>1033647</b>	Catalogue: <b>20103</b>	Model: <b>L60F</b>
Brand: <b>Volvo</b>	Serial: <b>4004-, 61401-, 70601-</b>	Group/Section: <b>216/150</b>	Title: <b>Flywheel housing</b>



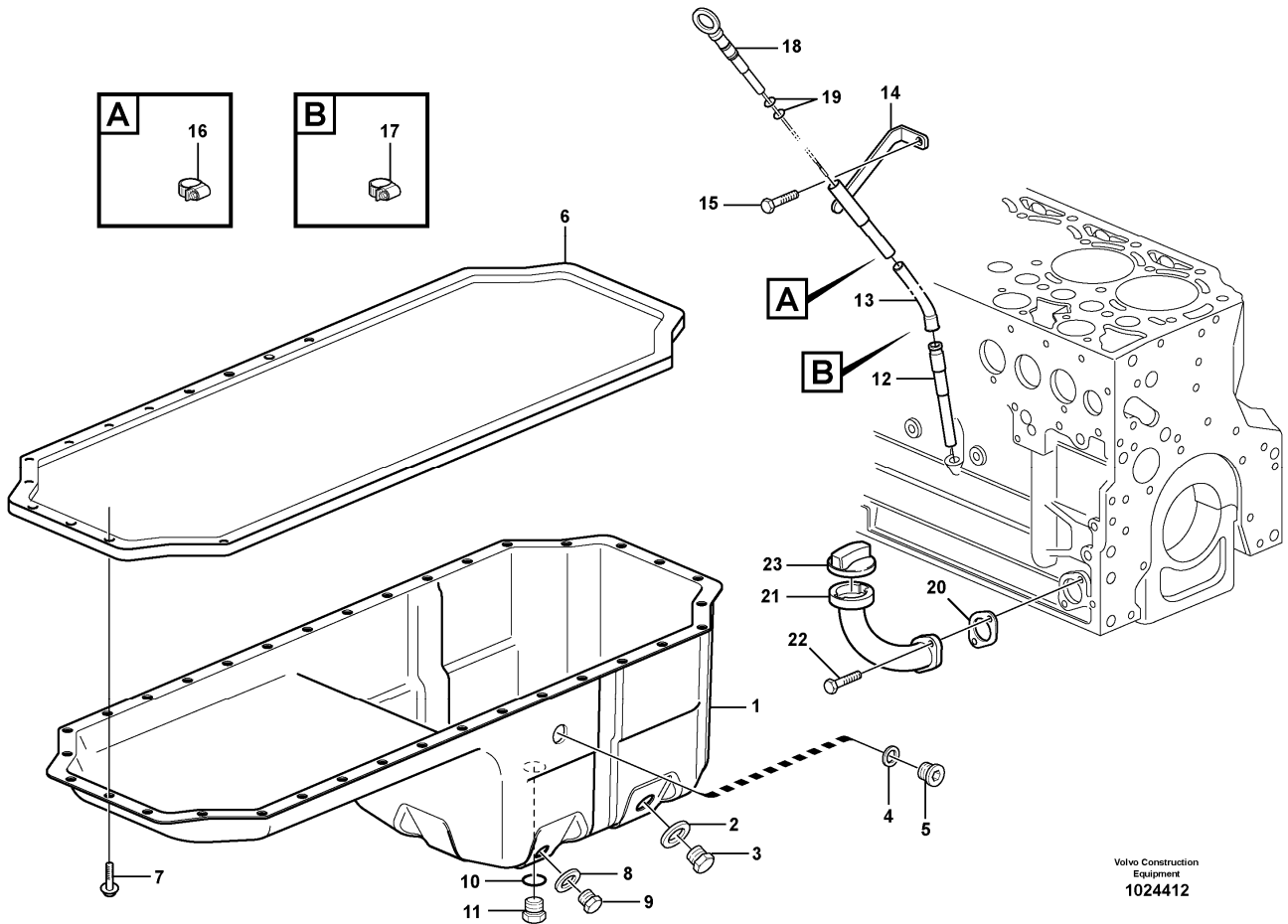
Volvo Construction  
Equipment  
1033647

Section option	Kit	Option description
VOE11411086		Engine D6ELCE3

Pos	Part	Q1	Q2	Q3	Q4	Q5	PS	Kit	Description	Option(s)	Remark
1	VOE20459987	1							Flywheel housing		
2	VOE20450784	1							•Labyrinth ring		
3	VOE20459996	1							Screw		
4	VOE20459995	1							Screw		
5	VOE20459991	3							Screw		
6	VOE20460931	1							Screw		
7	VOE20459993	4							O-ring		
8	VOE20450786	1							Sealing ring		
9	VOE20459994	1							Sealing ring		
10	VOE20585971	2							Bushing		



Date: <b>2014/1/26</b>	Image id: <b>1024412</b>	Catalogue: <b>20103</b>	Model: <b>L60F</b>
Brand: <b>Volvo</b>	Serial: <b>4004-, 61401-, 70601-</b>	Group/Section: <b>217/100</b>	Title: <b>Oil sump</b>



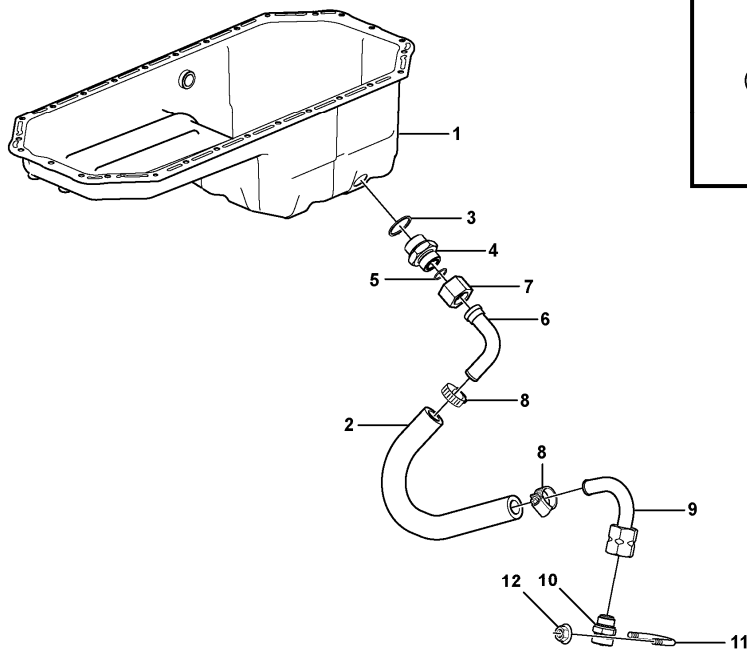
Volvo Construction  
Equipment  
1024412

Section option	Kit	Option description
VOE11411086		Engine D6ELCE3

Pos	Part	Q1	Q2	Q3	Q4	Q5	PS	Kit	Description	Option(s)	Remark
1	VOE20839076	1							Oil Pan		(VOE21109768)
2	VOE20496256	1							•Gasket		
3	VOE20496257	1							•Plug		
4	VOE20460026	1							•Sealing ring		
5	VOE20460024	1							•Plug		
6	VOE20460022	1							Gasket		
7	VOE20405792	28							Screw		
8	VOE13947624	1							Plane gasket		
9	VOE20405506	1							Plug		
10	VOE20515173	1							Gasket		
11	VOE20515171	1							Plug		



Date: <b>2014/1/26</b>	Image id: <b>1019351</b>	Catalogue: <b>20103</b>	Model: <b>L60F</b>
Brand: <b>Volvo</b>	Serial: <b>4004-, 61401-, 70601-</b>	Group/Section: <b>217/150</b>	Title: <b>Draining of oil sump</b>



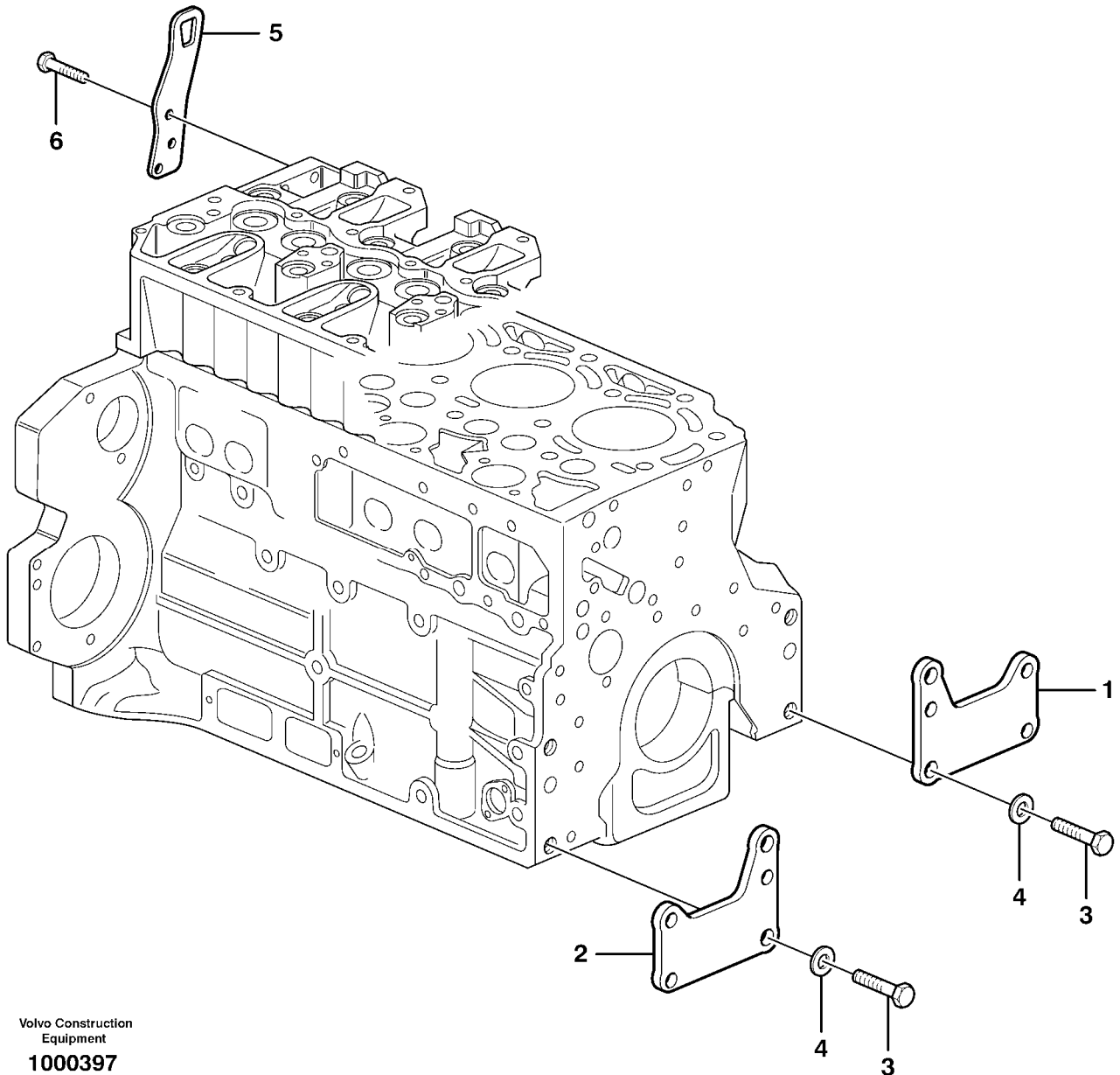
Volvo Construction  
Equipment  
1019351

Section option	Kit	Option description
VOE33761		Wheel Loader L60F

Pos	Part	Q1	Q2	Q3	Q4	Q5	PS	Kit	Description	Option(s)	Remark
1		1							Oil Pan		See ref 217/100
2	VOE190993	REQ							Hose		L = 430 MM
3	VOE993600	1							Gasket		
4	VOE11163064	1							Nipple		
5	VOE990740	1							O-ring		
6	VOE11410190	1							Drain tube		
7	VOE13933877	1							Fitting nut		
8	VOE943473	2							Hose clamp		
9	VOE11173508	1							Drain tube		
10	VOE11054692	1							Valve		
11	VOE11130269	1							Clamp		

12	VOE948645	2							Flange lock nut		
13	VOE11154125	1							Hose		SER NO - 5448 L = 1400MM
13	VOE11027418	1							Hose		SER NO 5449 - L = 500 MM
14	VOE11054659	1							Connector		L = 1400 MM
15	VOE943473	1							Hose clamp		

Date: <b>2014/1/26</b>	Image id: <b>1000397</b>	Catalogue: <b>20103</b>	Model: <b>L60F</b>
Brand: <b>Volvo</b>	Serial: <b>4004-, 61401-, 70601-</b>	Group/Section: <b>218/100</b>	Title: <b>Engine mounting</b>



Volvo Construction  
Equipment  
**1000397**

Section option	Kit	Option description
VOE11411086		Engine D6ELCE3

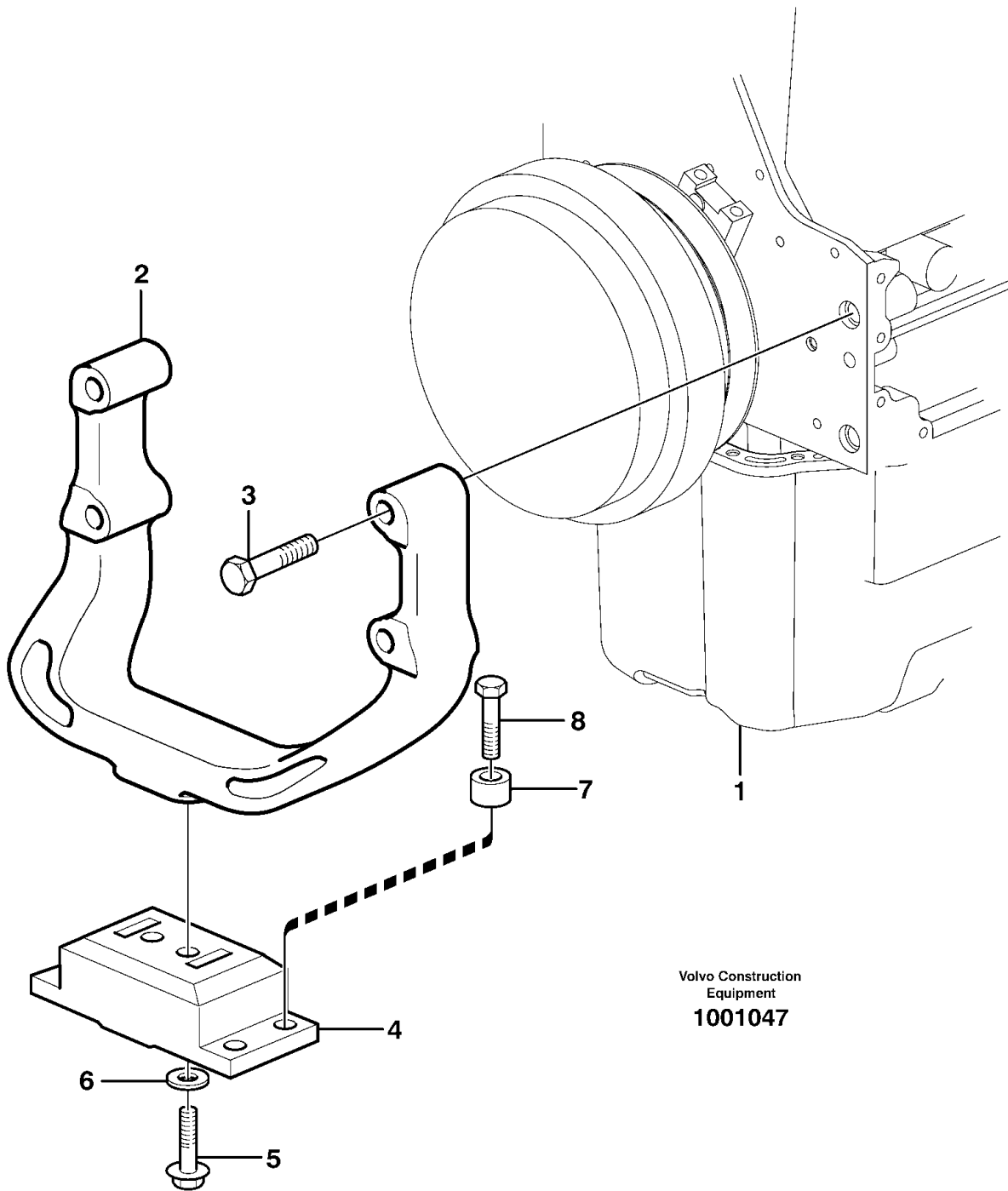
Pos	Part	Q1	Q2	Q3	Q4	Q5	PS	Kit	Description	Option(s)	Remark
1	VOE20723978	1							Bracket		
2	VOE20723984	1							Bracket		
3	VOE20535027	4							Screw		



# VOLVO

## Construction Equipment

Date: <b>2014/1/26</b>	Image id: <b>1001047</b>	Catalogue: <b>20103</b>	Model: <b>L60F</b>
Brand: <b>Volvo</b>	Serial: <b>4004-, 61401-, 70601-</b>	Group/Section: <b>218/150</b>	Title: <b>Engine mounting</b>



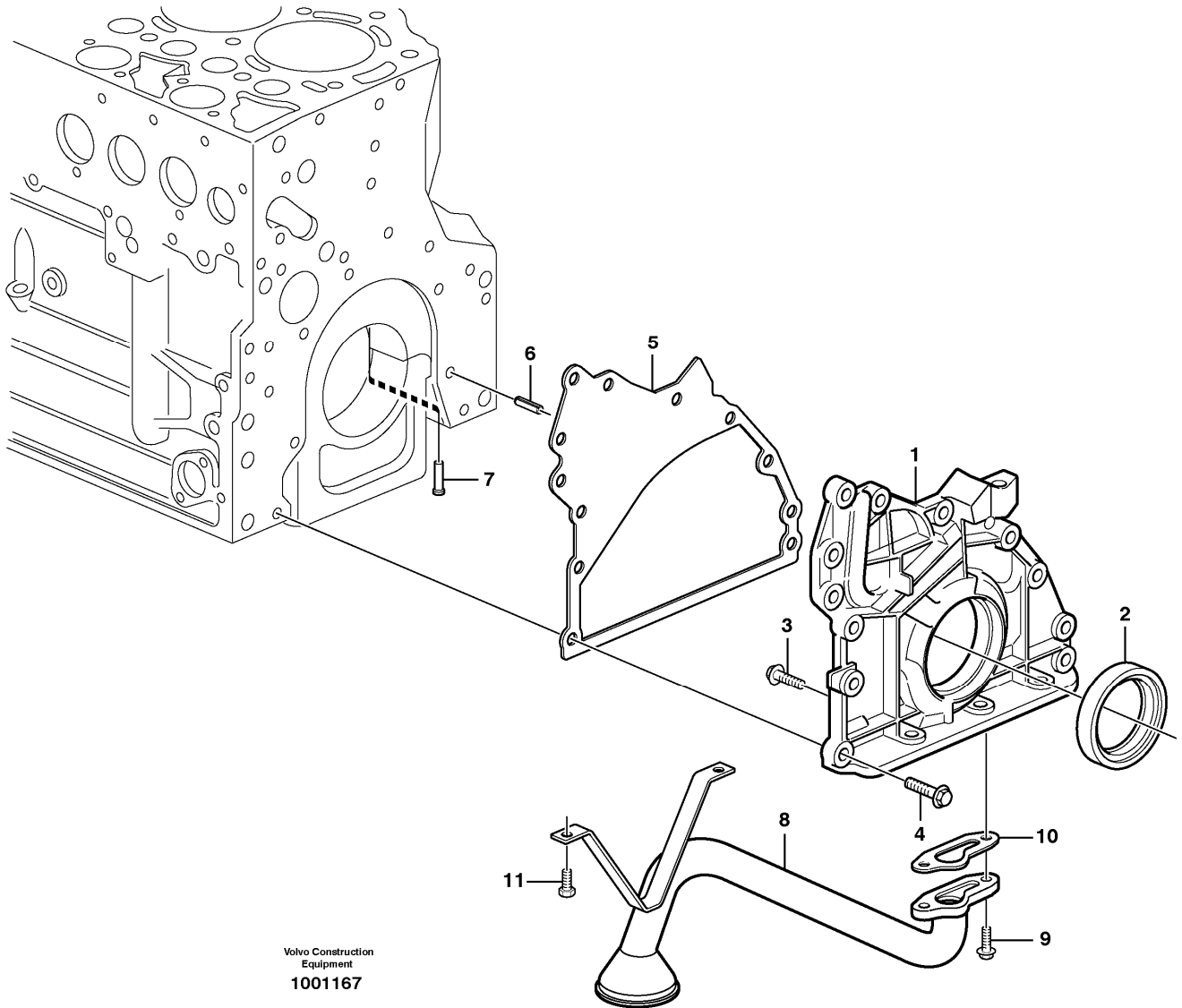
Volvo Construction  
Equipment  
**1001047**

Section option	Kit	Option description
VOE33761		Wheel Loader L60F

Pos	Part	Q1	Q2	Q3	Q4	Q5	PS	Kit	Description	Option(s)	Remark
1		1							Engine		See ref 210/100
2	VOE11411335	1							Engine anchorage		
3	VOE963320	4							Hexagon screw		
4	VOE20503552	1							Rubber cushion		
5	VOE966362	2							Flange screw		
6	VOE930844	2							Washer		
7	VOE11025923	4							Spacer		
8	VOE13965193	4							Screw		



Date: <b>2014/1/26</b>	Image id: <b>1001167</b>	Catalogue: <b>20103</b>	Model: <b>L60F</b>
Brand: <b>Volvo</b>	Serial: <b>4004-, 61401-, 70601-</b>	Group/Section: <b>221/100</b>	Title: <b>Lubricating oil system</b>



Section option	Kit	Option description
VOE11411086		Engine D6ELCE3

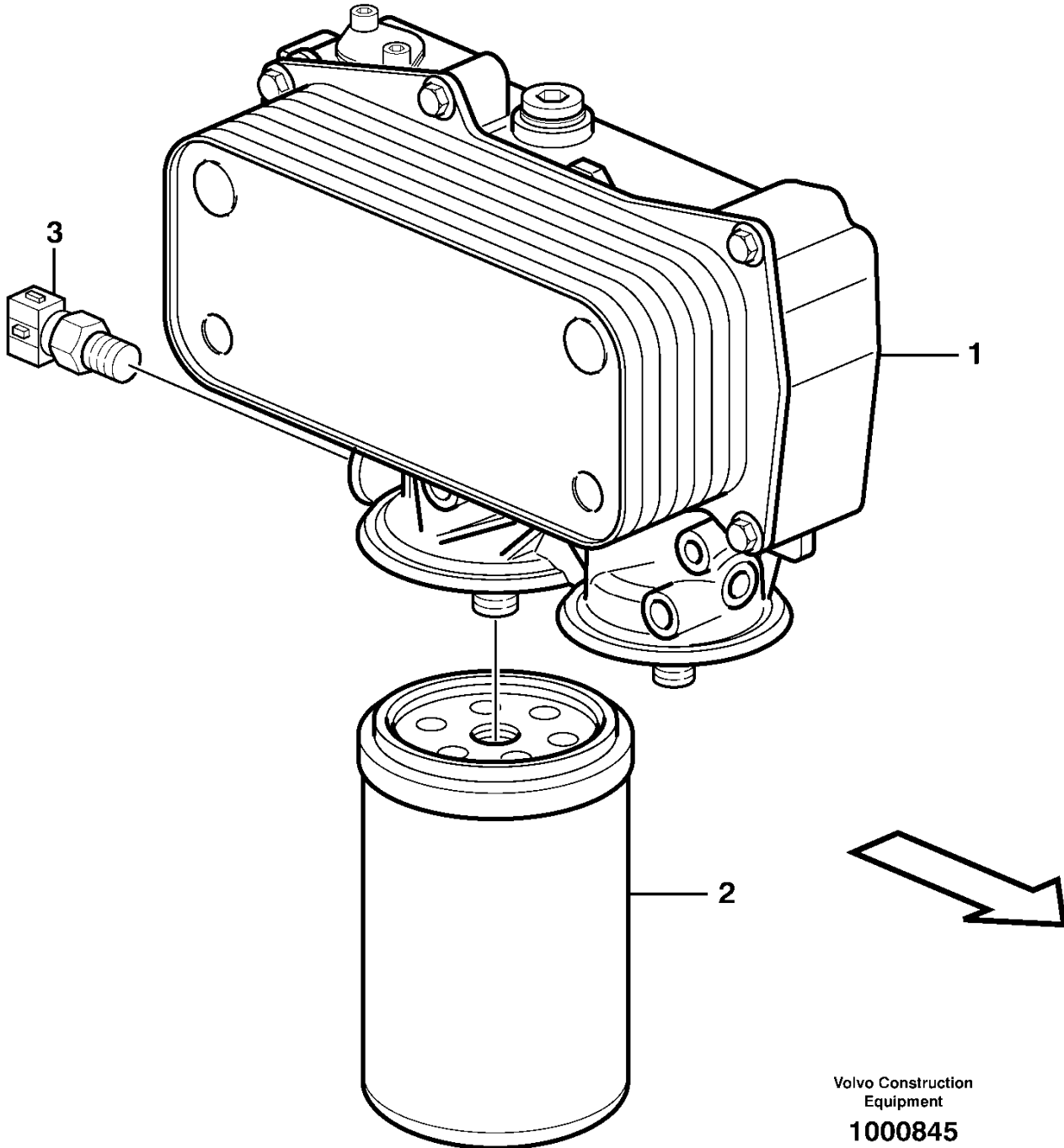
Pos	Part	Q1	Q2	Q3	Q4	Q5	PS	Kit	Description	Option(s)	Remark
1	VOE20574451	1							Oil Pump		
2	VOE20459168	1							•Crankshaft seal		
3	VOE20451738	1							•Screw		
4	VOE20412324	10							Screw		
5	VOE20537029	1							Gasket		
6	VOE20405603	1							Spring pin		



# VOLVO

## Construction Equipment

Date: <b>2014/1/26</b>	Image id: <b>1000845</b>	Catalogue: <b>20103</b>	Model: <b>L60F</b>
Brand: <b>Volvo</b>	Serial: <b>4004-, 61401-, 70601-</b>	Group/Section: <b>222/100</b>	Title: <b>Oil filter</b>



Volvo Construction  
Equipment  
**1000845**

Section option	Kit	Option description
VOE11411086		Engine D6ELCE3

Pos	Part	Q1	Q2	Q3	Q4	Q5	PS	Kit	Description	Option(s)	Remark
1		1							Oil Filter Hsg		See ref 223/100
2	VOE3831236	1							Oil filter		
3		1							Sensor		See ref 371/150

Thank you so much for reading.  
Please click the “Buy Now!”  
button below to download the  
complete manual.



After you pay.

You can download the most  
perfect and complete manual in  
the world immediately.

Our support email:

[ebooklibonline@outlook.com](mailto:ebooklibonline@outlook.com)