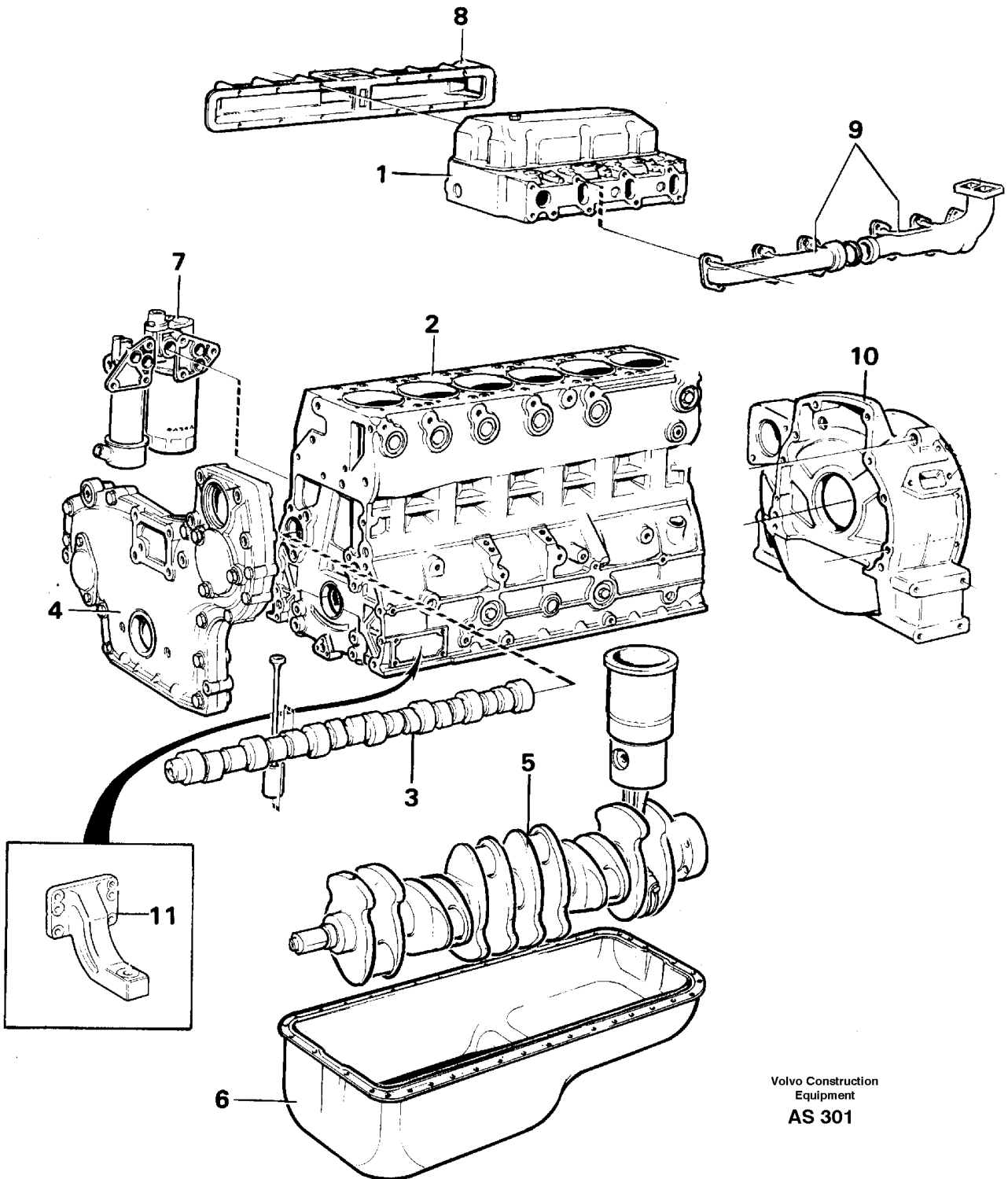


Date: 2014/1/27	Image id: AS301	Catalogue: 97790	Model: L70C
Brand: Volvo	Serial: 13116-16500, 70007-70300	Group/Section: 210/100	Title: Engine, assembly



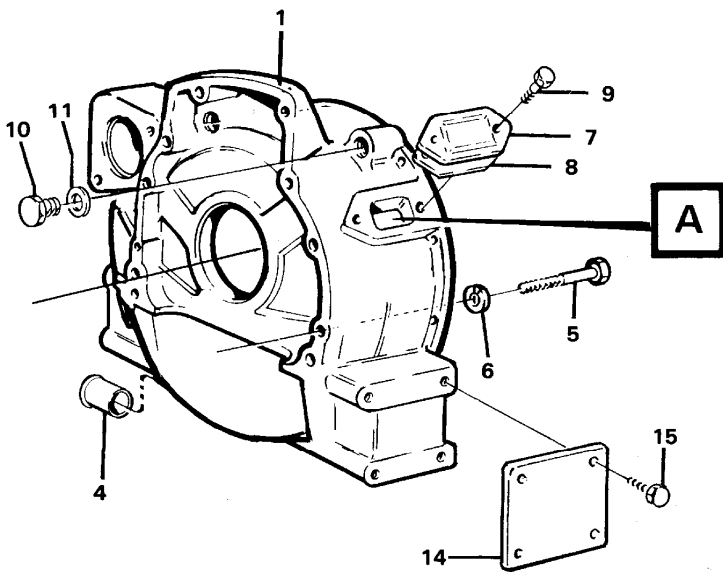
Volvo Construction
Equipment
AS 301

Q1-Q5	Option	Option description	
-------	--------	--------------------	--

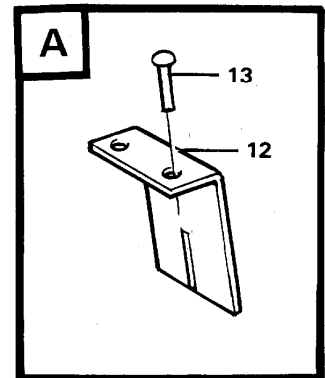
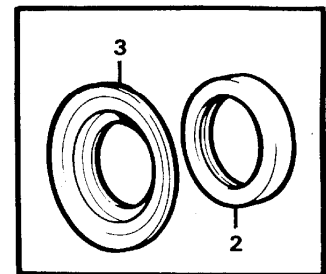
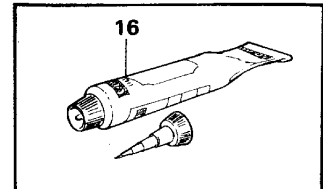
Q1 TD61GD			
Q2 TD63KDE			

Pos	Part	Q1	Q2	Q3	Q4	Q5	PS	Kit	Description	Option(s)	Remark
	VOE15003904	1							Engine		(VOE497998)TD61GD
	VOE15003907		1						Engine		(VOE497999)TD63KDE
1									Cylinder head		See ref 211/50
2									Cylinder block		See ref 212/50
3									Camshaft		See ref 215/100
4									Timing gear casing		See ref 215/50
5									Crank mechanism		See ref 216/50
6									Oil sump		See ref 217/50
7									Oil filter		See ref 222/50
8		1							Inlet manifold		See ref 251/50
9		1	1						Exhaust pipe		See ref 251/100
10		1	1						Flywheel housing		(VOE4772142) See ref 210/150
11									Engine mounting		See ref 218/50

Date: 2014/1/27	Image id: AS299	Catalogue: 97790	Model: L70C
Brand: Volvo	Serial: 13116-16500, 70007-70300	Group/Section: 210/150	Title: Flywheel housing



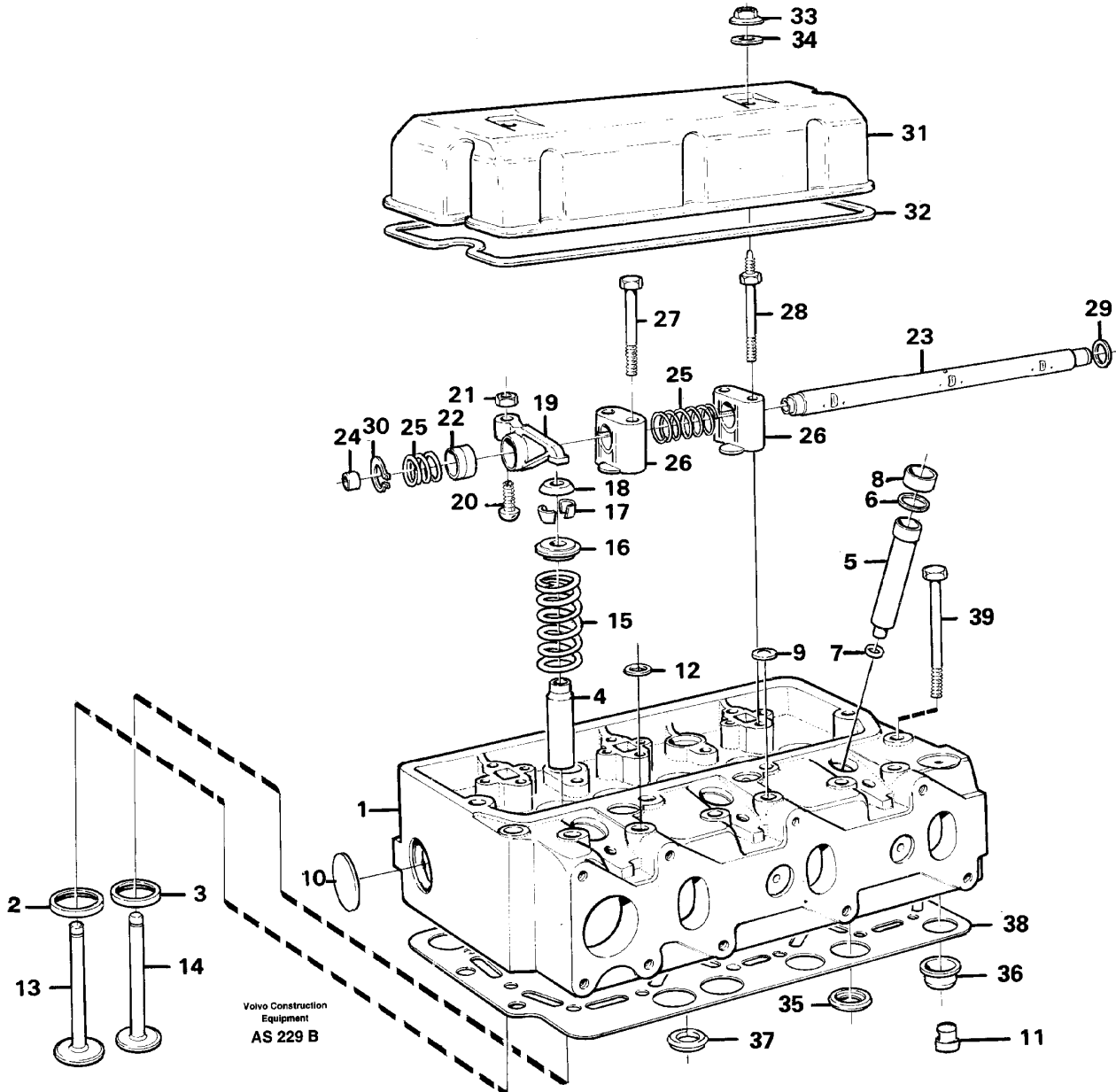
Volvo Construction
Equipment
AS 299



Pos	Part	Q1	Q2	Q3	Q4	Q5	PS	Kit	Description	Option(s)	Remark
1	VOE11030715	1							Flywheel housing		
2	VOE477119	1							•Crankshaft seal		
3	VOE4770016	1							•Oil Catcher		
4	VOE739393	1							•Tube		
5	VOE13966361	2							Flange screw		L=55MM
	VOE13966363	2							Flange screw		L=65MM
	VOE13966365	3							Flange screw		L=80MM
	VOE13966367	1							Flange screw		L=100MM
	VOE13966371	1							Flange screw		L=140MM
	VOE13974572	1							Flange screw		L=160MM
6	VOE955899	10							Washer		
7	VOE4772168	1							Cover		

8	VOE4804167	1							Gasket		
9	VOE13946544	2							Screw		
10	VOE960630	1							Plug		
11	VOE13969011	1							Gasket		
12	VOE4771328	1							Setting indicator		
13	VOE905654	2							Drive screw		
14	VOE11030887	2							Cover		
15	VOE13946817	8							Screw		
16	VOE1161277	REQ							Sealant		20GRAM

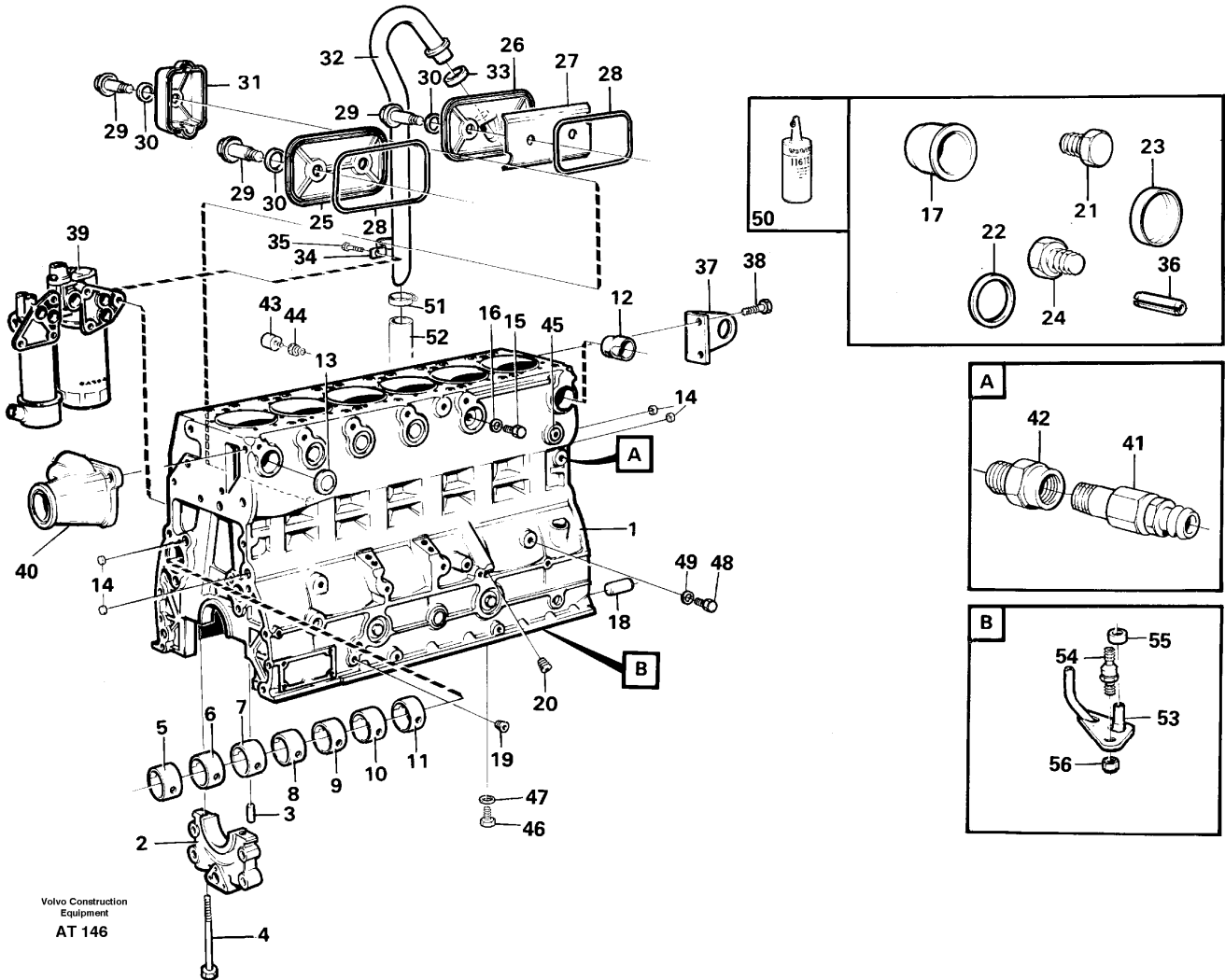
Date: 2014/1/27	Image id: AS229B	Catalogue: 97790	Model: L70C
Brand: Volvo	Serial: 13116-16500, 70007-70300	Group/Section: 211/50	Title: Cylinder head



Q1-Q5	Option	Option description	
Q1	TD61GD		
Q2	TD63KDE		

Pos	Part	Q1	Q2	Q3	Q4	Q5	PS	Kit	Description	Option(s)	Remark
	VOE420508	2							Cylinder head		

Date: 2014/1/27	Image id: AT146	Catalogue: 97790	Model: L70C
Brand: Volvo	Serial: 13116-16500, 70007-70300	Group/Section: 212/100	Title: Cylinder block

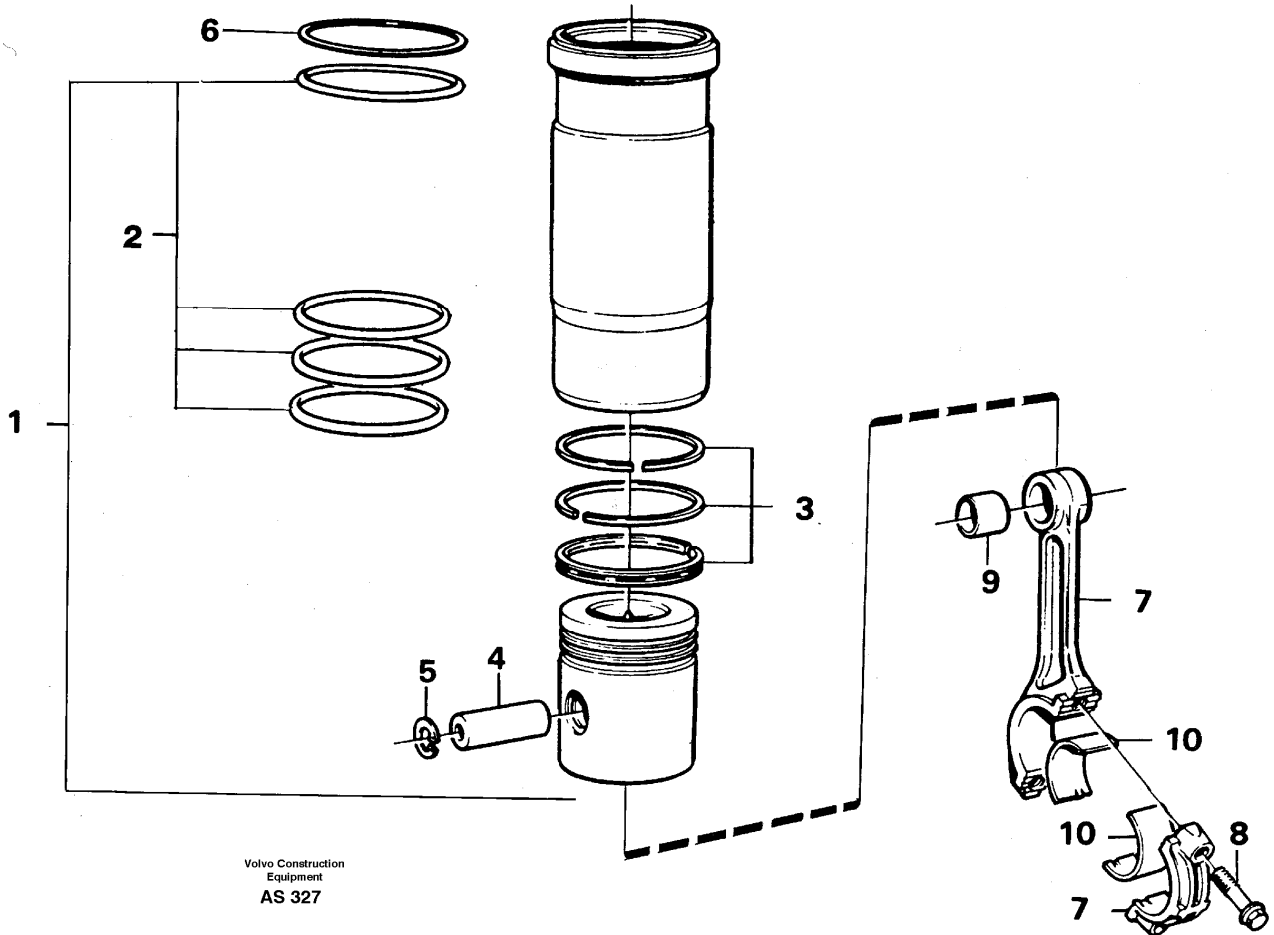


Volvo Construction
Equipment
AT 146

Pos	Part	Q1	Q2	Q3	Q4	Q5	PS	Kit	Description	Option(s)	Remark
1	VOE420990	1							Cylinder block		
2		7					NS		•Bearing carrier		
3	VOE422426	1							••Pin		
4	VOE465899	14							••Screw		
5	VOE422076	1							•Bushing		
6	VOE422077	1							•Bushing		(VOE7422077)
7	VOE422078	1							•Bushing		
8	VOE11000014	1							•Bushing		(VOE422079)
9	VOE422080	1							•Bushing		(VOE7422080)
10	VOE422081	1							•Bushing		
11	VOE422082	1							•Bushing		

12	VOE421154	6							•Nozzle		
13	VOE13968955	4							•Expansion plug		
14	VOE955082	6							•Cap plug		
15	VOE467367	2							•Plug		(VOE467649)
16	VOE1556907	2							•Gasket		(VOE469328)
17	VOE422369	7							•Plug		
18	VOE191171	2							•Pin		(VOE191171)
19	VOE952075	2							•Plug		6,3500 MM
20	VOE968145	3							•Plug		9,5250 MM
21	VOE960630	1							Plug		M14x1,5
22	VOE13969011	1							Gasket		
23	VOE955082	1							Cap plug		
24	VOE479979	4							Plug		3,1750 MM
25	VOE420120	1							Inspection lid		
26	VOE420121	1							Hatch		
27	VOE3978045	1							Splash plate		(VOE471858)
28	VOE421121	2							Gasket		
29	VOE471855	5							Screw		
30	VOE471856	5							Sealing ring		
31	VOE471854	1							Cover		
32	VOE848497	1							Breather pipe		
33	VOE421158	1							Sealing ring		
34	VOE849059	1							Clamp		
35	VOE946440	1							Flange screw		
36	VOE951974	1							Spring pin		
37		2					NS		Lifting eye		BAK/REAR
38	VOE13965191	4							Screw		(VOE965191)M12x30
39		1							Oil filter housing		See ref 222/50
40		1							Spacer		See ref 262/50
41	VOE13947893	1							Crane		(VOE947893)
42	VOE479954	1							Nipple		(VOE7190130)
43	VOE11039249	1							Pressure monitor		SE 16
44	VOE862109	1							Nipple		
45	VOE420589	1							Expansion plug		
46	VOE966146	1					SS		Plug		
47	VOE13947629	1							Plane gasket		
48	VOE13965768	1							Plug		
49	VOE13947281	1							Gasket		
50	VOE1161277	REQ							Sealant		20G
	VOE11713514	REQ							Sealant		(VOE1161231)304ML
51	VOE943475	1							Hose clamp		
52	VOE927661	REQ							Rubber hose		L=450 MM
53	VOE477437	6							Nozzle		
54	VOE471596	6							Stud		
55	VOE466874	6							Sealing ring		
56	VOE13948570	6							Lock nut		

Date: 2014/1/27	Image id: AS327	Catalogue: 97790	Model: L70C
Brand: Volvo	Serial: 13116-16500, 70007-70300	Group/Section: 213/50	Title: Cylinder liner

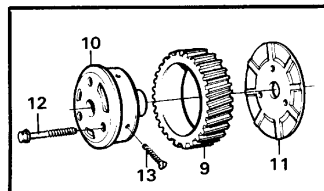
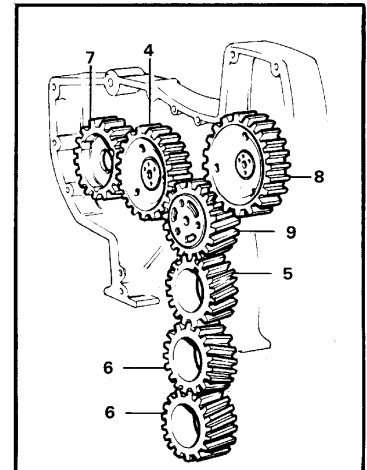
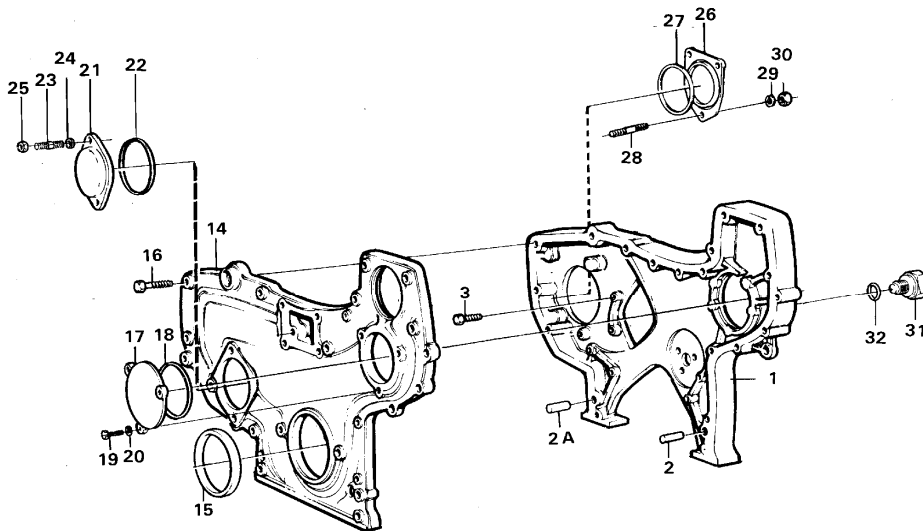


Q1-Q5	Option	Option description	
Q1 TD61GD			
Q2 TD63KDE			

Pos	Part	Q1	Q2	Q3	Q4	Q5	PS	Kit	Description	Option(s)	Remark
1	VOE275394	6							Cylinder liner kit		
	VOE275648		6				SS		Cylinder liner kit		ENG - 139631
	VOE276929		6						Cylinder liner kit		ENG 139632 -
		6	6				NS		•Cylinder liner		
2	VOE271161	6	6						•Seg Ring Kit		(VOE275772)
		6	6				NS		••Sealing strip		UPPER
		18	18				NS		••Sealing strip		LOW
3	VOE270713	6							•Piston Ring Kit		(VOE275376)
	VOE276310		6						•Piston Ring Kit		

4	VOE3978023	6	6						•Piston Pin		
5	VOE914523	12	12						•Snap Ring		
6	VOE465394	REQ	REQ						Shim		THICK=0,20MM
	VOE465395	REQ	REQ						Shim		THICK=0,30MM
	VOE465396	REQ	REQ						Shim		THICK=0,50MM
7	VOE3092237	6	6						Connecting Rod		(VOE465812)ENG - 144544
	VOE8192120	6	6				SS		Connecting Rod		ENG 144545 -
8	VOE465815	2	2						•Screw		
9	VOE465816	1	1						•Bushing		ENG - 144544
	VOE8192121	1	1						•Bushing		ENG 144545 -
10	VOE270139	6	6						Piston Bearing		STD
	VOE270140	6	6						Big End Brg Kit		0.25MM U SZ
	VOE270141	6	6						Big End Brg Kit		0.50MM U SZ
	VOE270142	6	6						Big End Brg Kit		0,75MM U SZ

Date: 2014/1/27	Image id: AS232	Catalogue: 97790	Model: L70C
Brand: Volvo	Serial: 13116-16500, 70007-70300	Group/Section: 215/50	Title: Timing gear casing



Volvo Construction
Equipment
AS 232

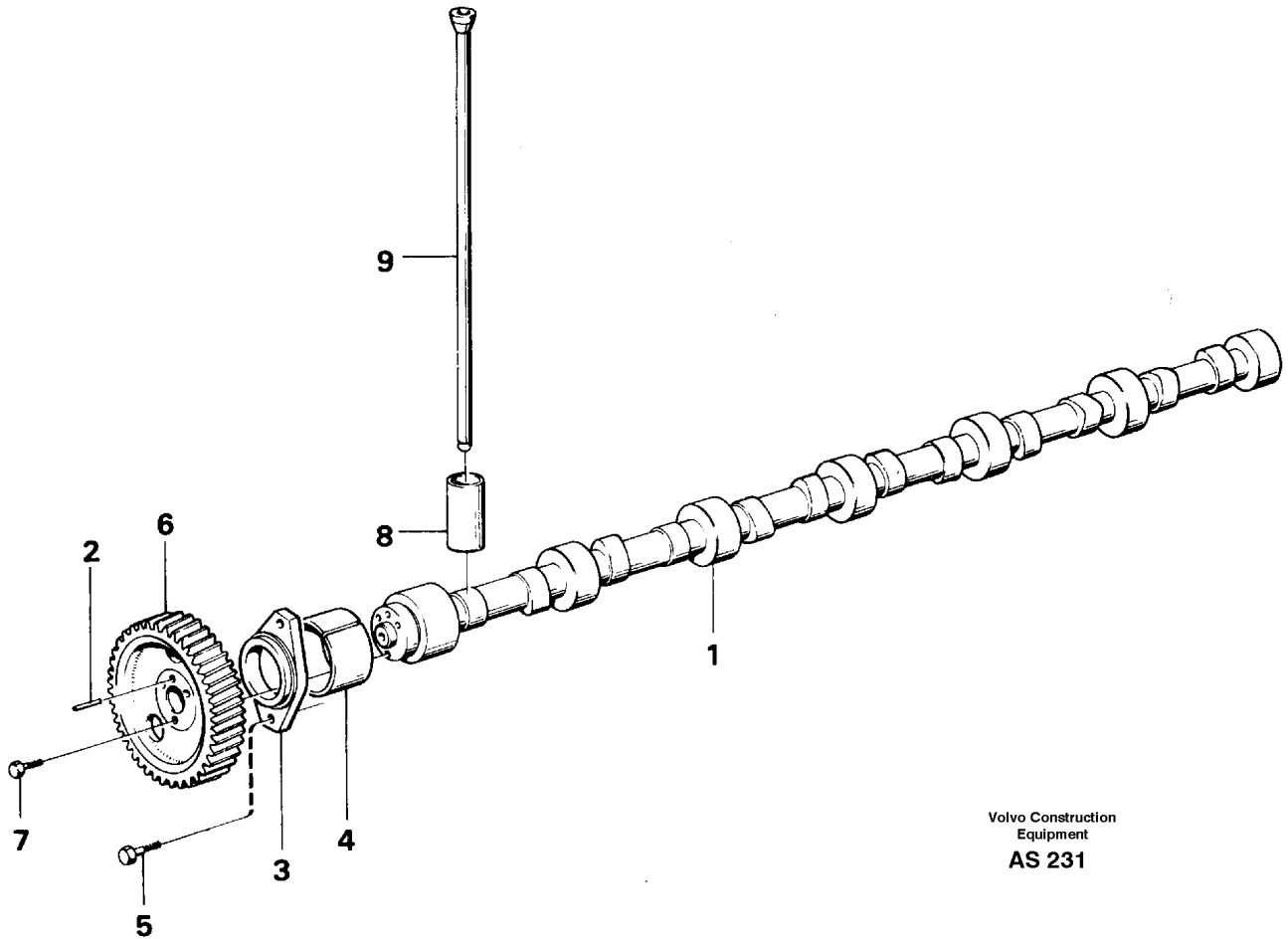
Pos	Part	Q1	Q2	Q3	Q4	Q5	PS	Kit	Description	Option(s)	Remark
1	VOE465797	1							Tmg Gear Casing		
2	VOE13941510	1							Pin		(VOE941510)
2A	VOE13941511	1							Pin		(VOE941511)
3	VOE471534	2							Screw		L=28MM
	VOE471535	2							Screw		L=58MM
4		1							Gear		See ref 215/100
5		1							Gear		See ref 216/50
6		2							Oilpump gear		See ref 221/50
7		1							Compressor gear		
8		1							Gear,inject.pump		See ref 236/50
9	VOE8192518	1							Idler Gear		(VOE471552)
		1					NS		•Bearing		
10	VOE422766	1					SS		Pin		(VOE467463)
11	VOE478951	1							Thrust Washer		(VOE467529)
12	VOE471554	3							Screw		

13	VOE471555	3							Screw		
14	VOE8192590	1							Tmg Gear Cover		(8192052)
15	VOE477118	1							•Sealing ring		
16	VOE13947760	7							Flange screw		(VOE947760)L=40MM
	VOE13948217	2							Flange screw		(VOE948217)L=45MM
	VOE13965216	1							Screw		(VOE965216)L=55MM
	VOE13965182	4							Flange screw		(VOE965182)L=80MM
	VOE13965183	2							Flange screw		(VOE965183)L=90MM
	VOE965225	1							Flange screw		(VOE966343)L=35MM
	VOE13965189	2							Flange screw		(VOE965189)L=90MM
17	VOE471559	1							Cap		
18	VOE925257	1							O-ring		
19	VOE13945444	3							Flange screw		(VOE945444)
20	VOE13941907	3							Spring Washer		(VOE941907)
21	VOE465735	1							Cap		
22	VOE925094	1							O-ring		(VOE465058)
23	VOE479971	1							Stud		M10*40*25
	VOE479972	1							Stud		M10*45*30 TD63KDE
	VOE479973	1							Stud		M10*80*65
24	VOE955895	2							Washer		
25	VOE13971095	2							Flange nut		
26	VOE420178	1							Cover		
27	VOE13975610	1							O-ring		(VOE413619)
28	VOE967951	3							Stud		
29	VOE955899	3							Washer		
30	VOE13971097	3							Flange nut		(VOE965484)
31	VOE13960632	1							Plug		(VOE960632)
32	VOE13947624	2							Plane Gasket		(VOE7011998)
33	VOE1161277	1							Sealant		20GRAM

VOLVO

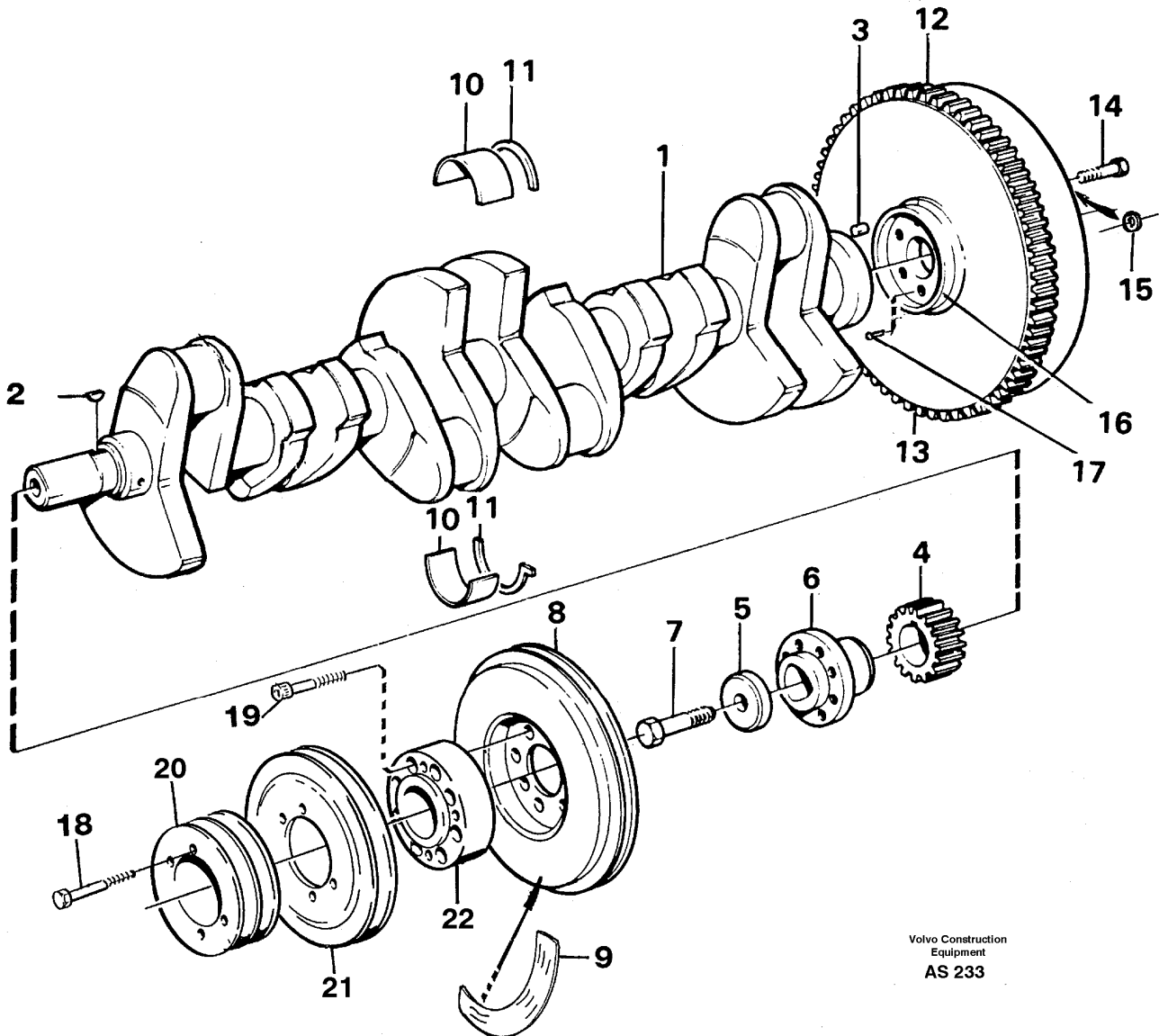
Construction Equipment

Date: 2014/1/27	Image id: AS231	Catalogue: 97790	Model: L70C
Brand: Volvo	Serial: 13116-16500, 70007-70300	Group/Section: 215/100	Title: Camshaft



Pos	Part	Q1	Q2	Q3	Q4	Q5	PS	Kit	Description	Option(s)	Remark
1	VOE465787	1							Camshaft		
		1					NS		•Camshaft		
2	VOE950588	1							•Pin		
3	VOE465789	1							Flange		
4		7							Bearing bushing		See ref 212/50
5	VOE471509	2							Screw		
6	VOE478297	1							Gear		
7	VOE471555	3							Screw		
8	VOE421067	12							Tappet		
9	VOE420021	12							Rod		

Date: 2014/1/27	Image id: AS233	Catalogue: 97790	Model: L70C
Brand: Volvo	Serial: 13116-16500, 70007-70300	Group/Section: 216/50	Title: Crankshaft and related parts



Volvo Construction
Equipment
AS 233

Q1-Q5	Option	Option description	
Q1 TD61GD			
Q2 TD63KDE			

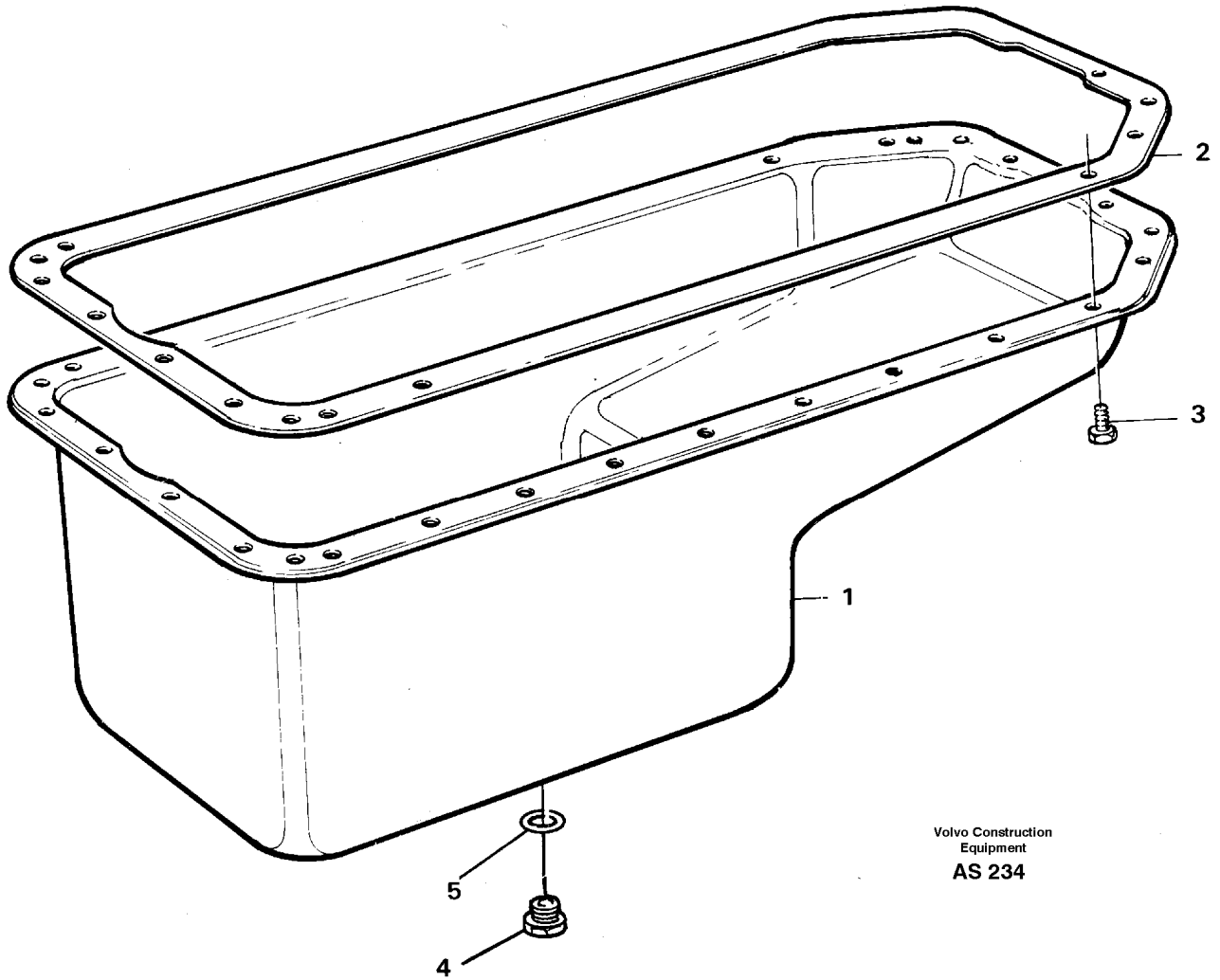
Pos	Part	Q1	Q2	Q3	Q4	Q5	PS	Kit	Description	Option(s)	Remark
1	VOE8192122	1	1				SS		Crankshaft		
2	VOE422253	1	1						•Key		
3	VOE950677	1	1						Pin		
4	VOE471528	1	1						Gear		

5	VOE420124	1	1					Washer		
6	VOE465779	1	1					Hub		
7	VOE470366	1	1					Screw		
8	VOE421515	1	1					Vib Damper		
9	VOE467834	1	1					Sign		
10	VOE271230	7	7					Mn Bearing Kit		STD
	VOE271231	7	7					Mn Bearing Kit		0,254MM U SZ
	VOE271232	7	7					Mn Bearing Kit		0,508MM U SZ
	VOE271233	7	7					Mn Bearing Kit		0,762MM U SZ
	VOE271234	7	7					Mn Bearing Kit		1,016MM U SZ
11	VOE276751	1	1					Thr Washer Kit		STD SZ
	VOE276752	1	1					Thrust Washer		(VOE7276752)0,10MM O SZ
	VOE276753	1	1					Thrust Washer		(VOE7276753)0,20MM O SZ
12	VOE11030936	1	1					Flywheel		
13	VOE420314	1	1					•Gear Ring		
14	VOE978899	9	9					Hexagon screw		
15	VOE467773	9	9					Washer		
16	VOE786589	1	1					Deflector		
17	VOE905654	4	4					Drive Screw		
18	VOE13965187	4	4					Flange screw		
19	VOE4772247	8	8					Screw		
20	VOE11030942	1	1					Strap		
21	VOE4772217	1	1					Strap		
22	VOE4772218	1	1					Hub		

VOLVO

Construction Equipment

Date: 2014/1/27	Image id: AS234	Catalogue: 97790	Model: L70C
Brand: Volvo	Serial: 13116-16500, 70007-70300	Group/Section: 217/50	Title: Oil sump



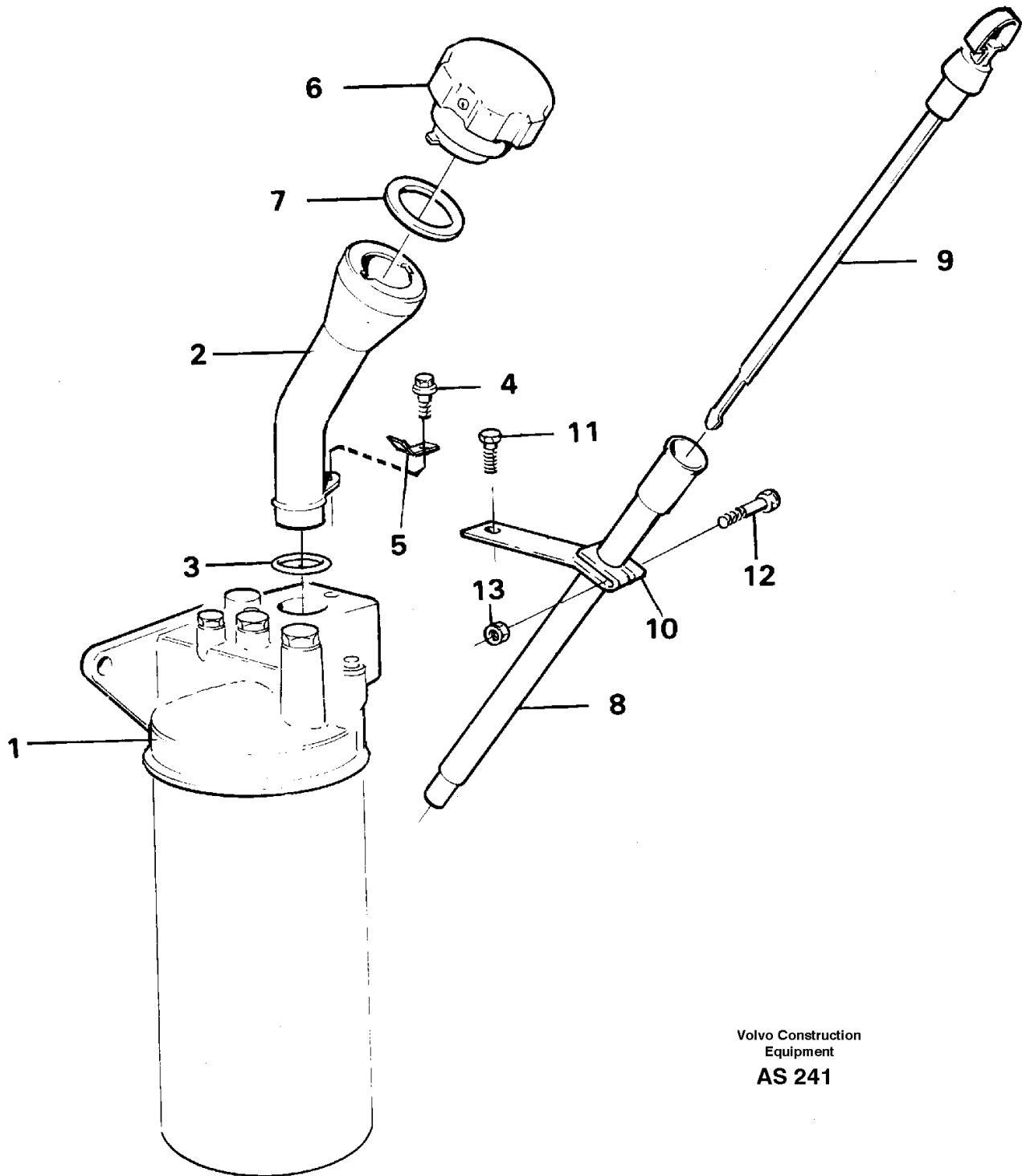
Volvo Construction
Equipment
AS 234

Pos	Part	Q1	Q2	Q3	Q4	Q5	PS	Kit	Description	Option(s)	Remark
1	VOE11162235	1							Oil Pan		(VOE465622)
2	VOE11030778	1							Gasket		(VOE424918)
3	VOE946440	34							Flange screw		
4	VOE13960635	1							Plug		
5	VOE949329	1							Gasket		

VOLVO

Construction Equipment

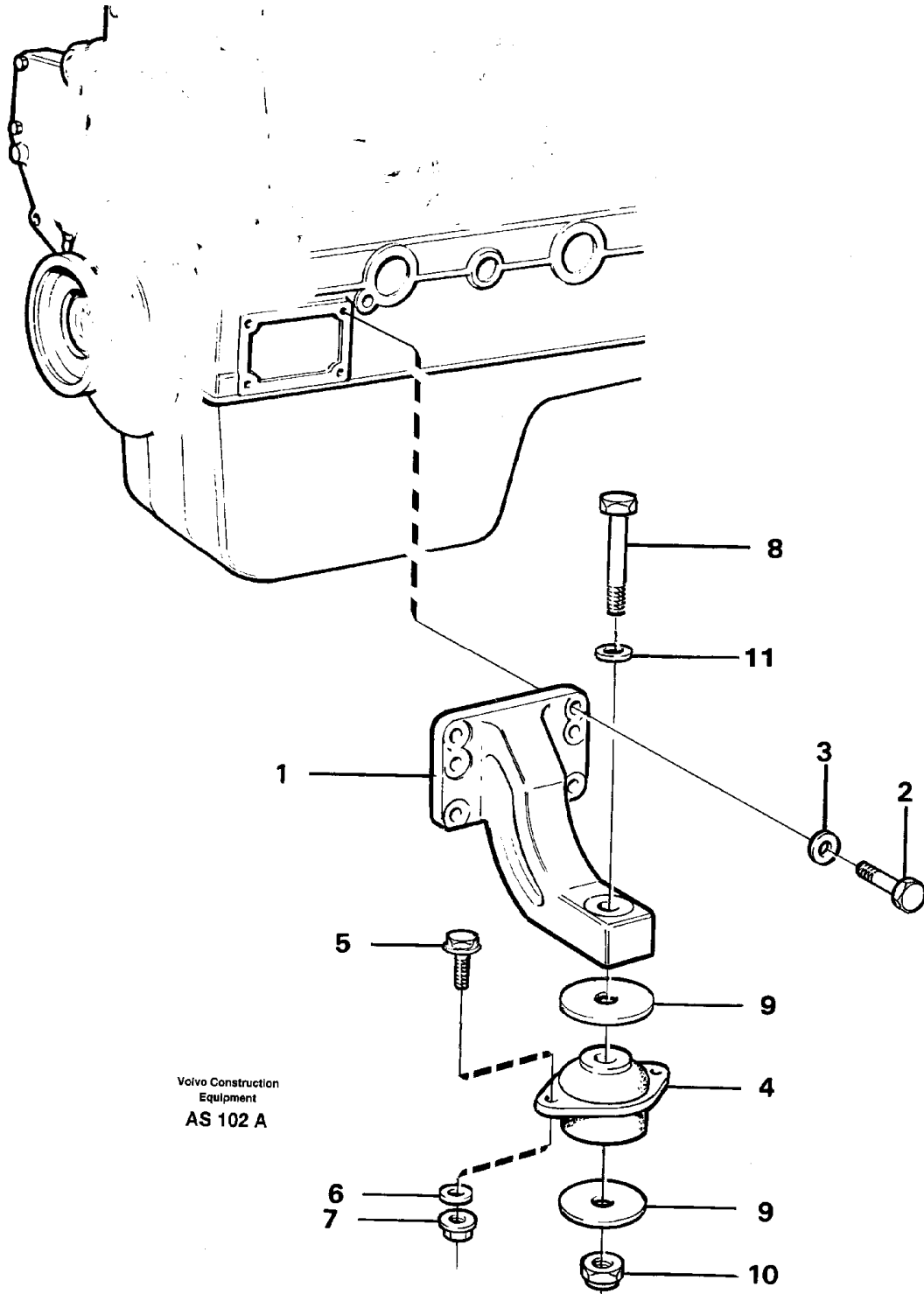
Date: 2014/1/27	Image id: AS241	Catalogue: 97790	Model: L70C
Brand: Volvo	Serial: 13116-16500, 70007-70300	Group/Section: 217/100	Title: Oil filler and dipstick



Volvo Construction
Equipment
AS 241

Pos	Part	Q1	Q2	Q3	Q4	Q5	PS	Kit	Description	Option(s)	Remark
-----	------	----	----	----	----	----	----	-----	-------------	-----------	--------

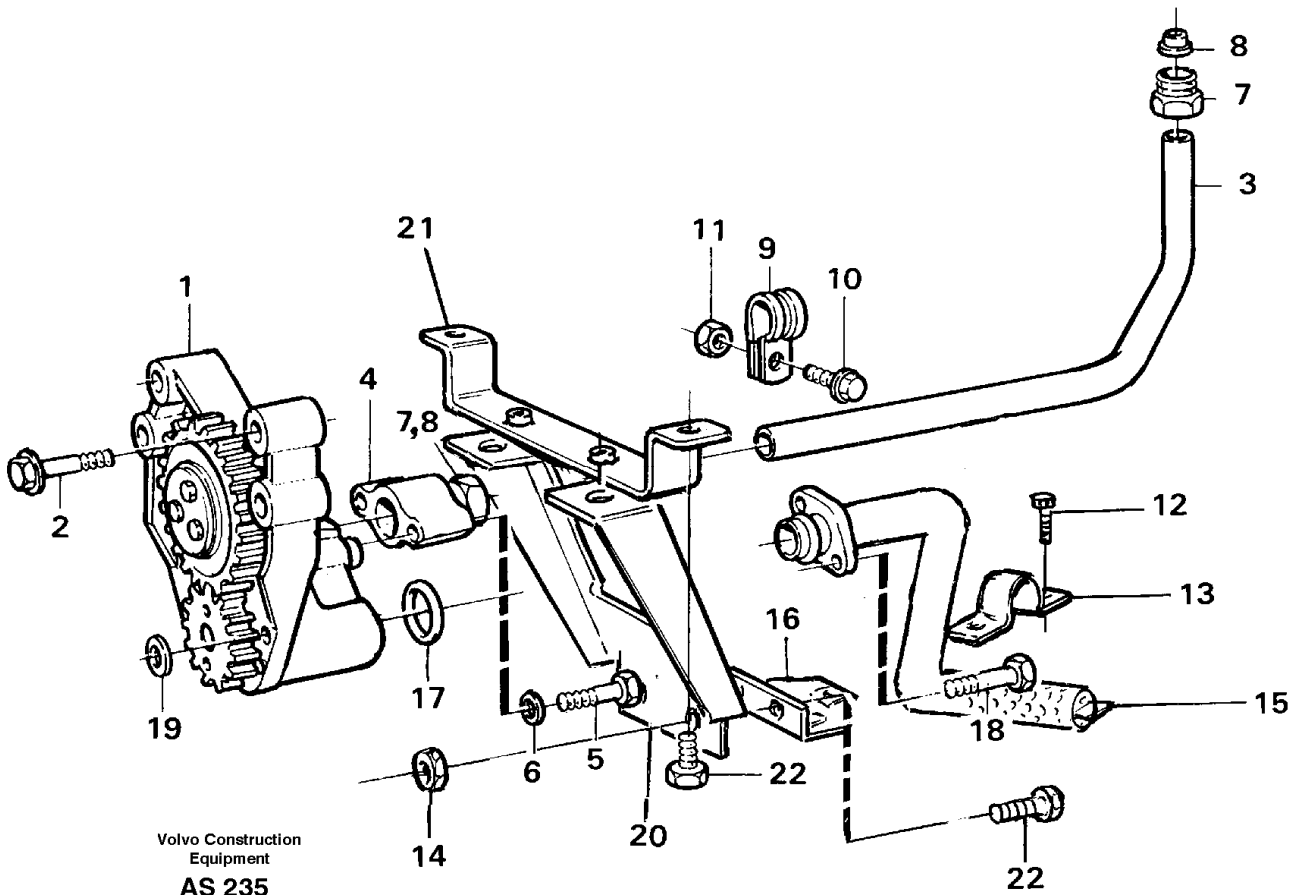
Date: 2014/1/27	Image id: AS102A	Catalogue: 97790	Model: L70C
Brand: Volvo	Serial: 13116-16500, 70007-70300	Group/Section: 218/50	Title: Engine mounting



Pos	Part	Q1	Q2	Q3	Q4	Q5	PS	Kit	Description	Option(s)	Remark
-----	------	----	----	----	----	----	----	-----	-------------	-----------	--------

1	VOE4856778	2							Engine anchorage		
2	VOE965227	8							Flange screw		(VOE13945346)
3	VOE13955897	8							Washer		(VOE955897)
4	VOE342812	2							Rubber cushion		(VOE7342812)
5	VOE13965185	4							Screw		
6	VOE13960143	4							Washer		(VOE960143)
7	VOE13971098	4							Flange nut		(VOE949279)
8	VOE13955378	2							Screw		(VOE955378)
9	VOE11015657	4							Washer		(VOE4746470)
10	VOE13967934	2							Flange lock nut		
11	VOE13955900	2							Washer		

Date: 2014/1/27	Image id: AS235	Catalogue: 97790	Model: L70C
Brand: Volvo	Serial: 13116-16500, 70007-70300	Group/Section: 221/50	Title: Lubricating oil system

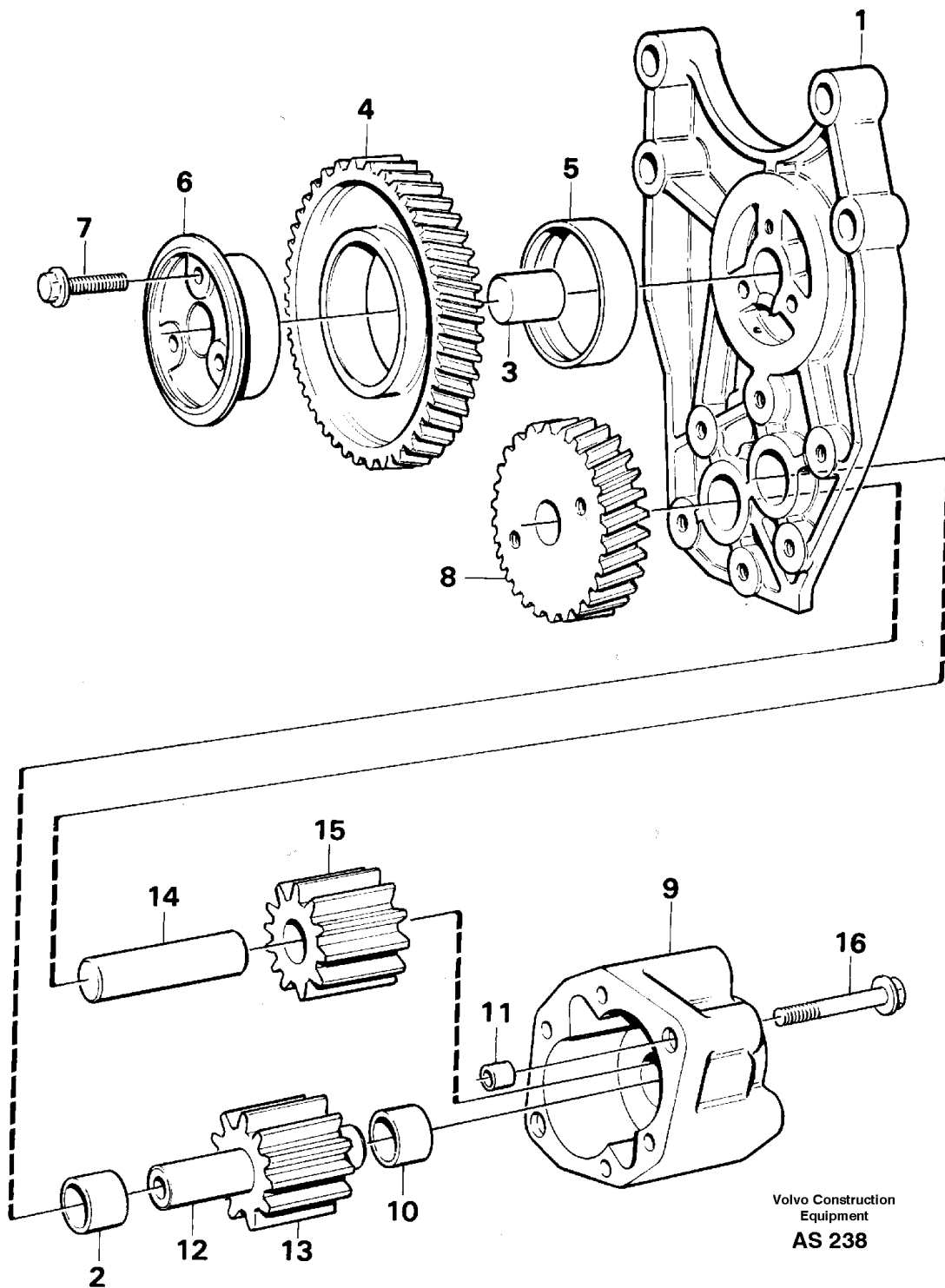


Q1-Q5	Option	Option description
Q1 TD61GD		
Q2 TD63KDE		

Pos	Part	Q1	Q2	Q3	Q4	Q5	PS	Kit	Description	Option(s)	Remark
1		1	1						Oil pump		See ref 221/100
2	VOE471513	4	4						Screw		M10 L=70MM
	VOE471734	2	2						Screw		M8 L=70MM
3	VOE420993	1	1						Oil feed pipe		
4	VOE465846	1	1						Sleeve		
5	VOE13955308	2	2						Screw		(VOE955308)
6	VOE191172		2						Washer		
7	VOE471588	1	1						Connector		
8	VOE980786	1	1						Fitting		(VOE956972)
9	VOE1545433	1	1						Clamp		

10	VOE946440	1	1						Flange screw		
	VOE13946173		1						Screw		(VOE946173)
11	VOE13945408	1	1						Nut		(EH945408)
	VOE13945408		1						Nut		(VOE948645)
12	VOE13946544	2	2						Screw		(VOE965218)
13	VOE11030722	1	1						Clamp		
14	VOE946036	2	2						Lock nut		
15	VOE11030734	1	1						Suction pipe		
16	VOE11030720	1	1						Bracket		
17	VOE470383	2	2						Sealing ring		
18	VOE13965182	2							Screw		(VOE965182)
19	VOE13955894	3	3						Washer		(VOE955894)
20	VOE11030725	1	1				SS		Baffle plate		
21	VOE11030718	1	1						Bracket		
22	VOE946440	6	6						Flange screw		

Date: 2014/1/27	Image id: AS238	Catalogue: 97790	Model: L70C
Brand: Volvo	Serial: 13116-16500, 70007-70300	Group/Section: 221/100	Title: Oil pump

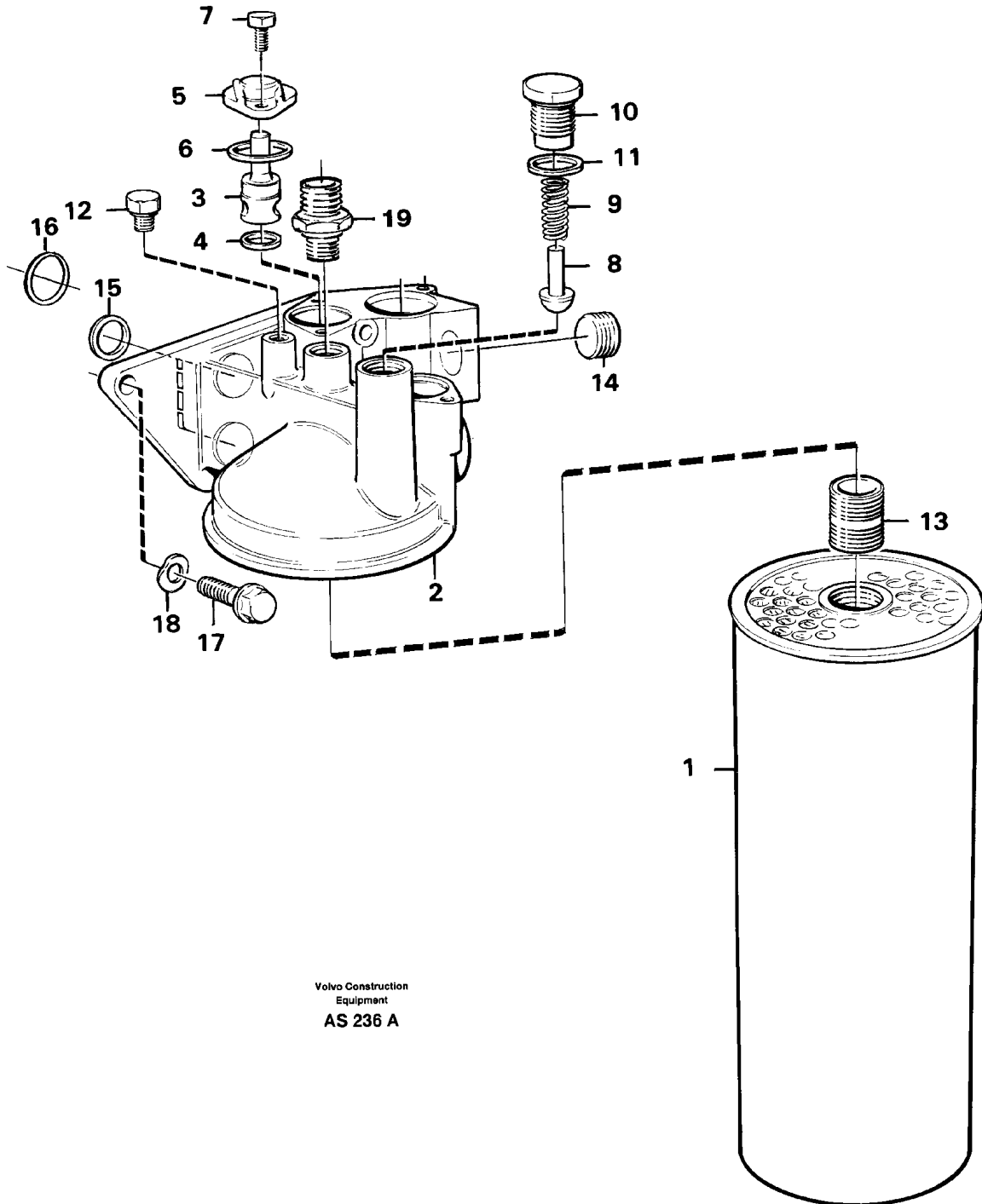


Volvo Construction
Equipment
AS 238

Pos	Part	Q1	Q2	Q3	Q4	Q5	PS	Kit	Description	Option(s)	Remark
-----	------	----	----	----	----	----	----	-----	-------------	-----------	--------

	VOE420867	1							Oil pump		
1	VOE471571	1							•Bracket		
2		2					NS	K	••Bushing		
3	VOE191171	1							••Pin		(VOE191171)
	VOE471942	1							•Drive Gear		
4		1					NS		••Idler gear		
5		1					NS		••Bearing ring		
6	VOE420048	1							•Bearing sleeve		
7	VOE471586	1							•Screw		
8	VOE471941	1							•Drive Gear		
9		1					NS		•Oil pump housing		
10		2					NS	K	••Bushing		
11	VOE401146	2							••Guide sleeve		
12		1					NS	K	•Drive shaft		
13		1					NS	K	••Pump gear		
14		1					NS	K	•Idler shaft		
15		1					NS	K	••Pump gear		
16	VOE13965181	2							•Screw		(VOE965218)
	VOE276151	1							Repair kit		(VOE275773)

Date: 2014/1/27	Image id: AS236A	Catalogue: 97790	Model: L70C
Brand: Volvo	Serial: 13116-16500, 70007-70300	Group/Section: 222/50	Title: Oil filter

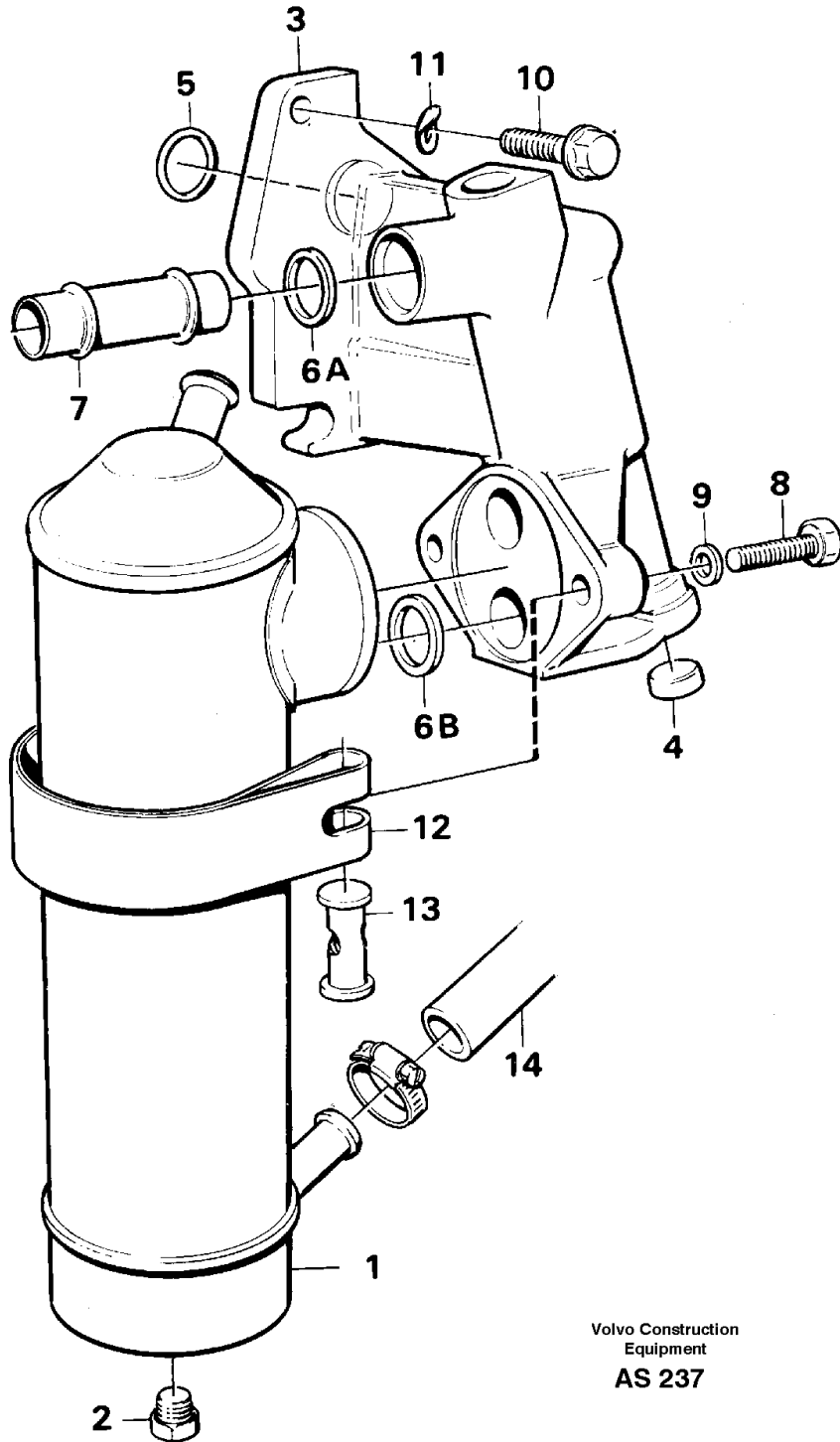


Volvo Construction
Equipment
AS 236 A

Pos	Part	Q1	Q2	Q3	Q4	Q5	PS	Kit	Description	Option(s)	Remark
-----	------	----	----	----	----	----	----	-----	-------------	-----------	--------

1	VOE466634	1							Oil filter		
2	VOE420928	1							Oil filter housing		
		1					NS		•Oil filter housing		
3	VOE471812	1							•Valve		MARKED BL
	VOE466445	1							••Compression spring		
	VOE471640	1							•Reduction valve		MARKED RED
4	VOE469846	2							•Sealing ring		
5	VOE471648	2							•Cover		
6	VOE949659	2							•O-ring		
7	VOE13946544	4							•Screw		
8	VOE471085	1							•Valve cone		
9	VOE466653	1							•Compression spring		
10	VOE471598	1							•Plug		
11	VOE13947627	1							•Plane gasket		(VOE947627)
12	VOE479979	1							•Plug		(VOE191026)
13	VOE466623	1							•Nipple		
14	VOE13948811	1							•Cap plug		(VOE948811)
15	VOE13949656	2							O-ring		(VOE949656) D=19,2MM
16	VOE13949722	1							O-ring		D=36,2MM
17	VOE946329	2							Flange screw		
	VOE13965222	1							Screw		
18	VOE941908	3							Spring washer		
19	VOE14213266	1							Fitting		
	VOE14213676	1							•Sealing ring		

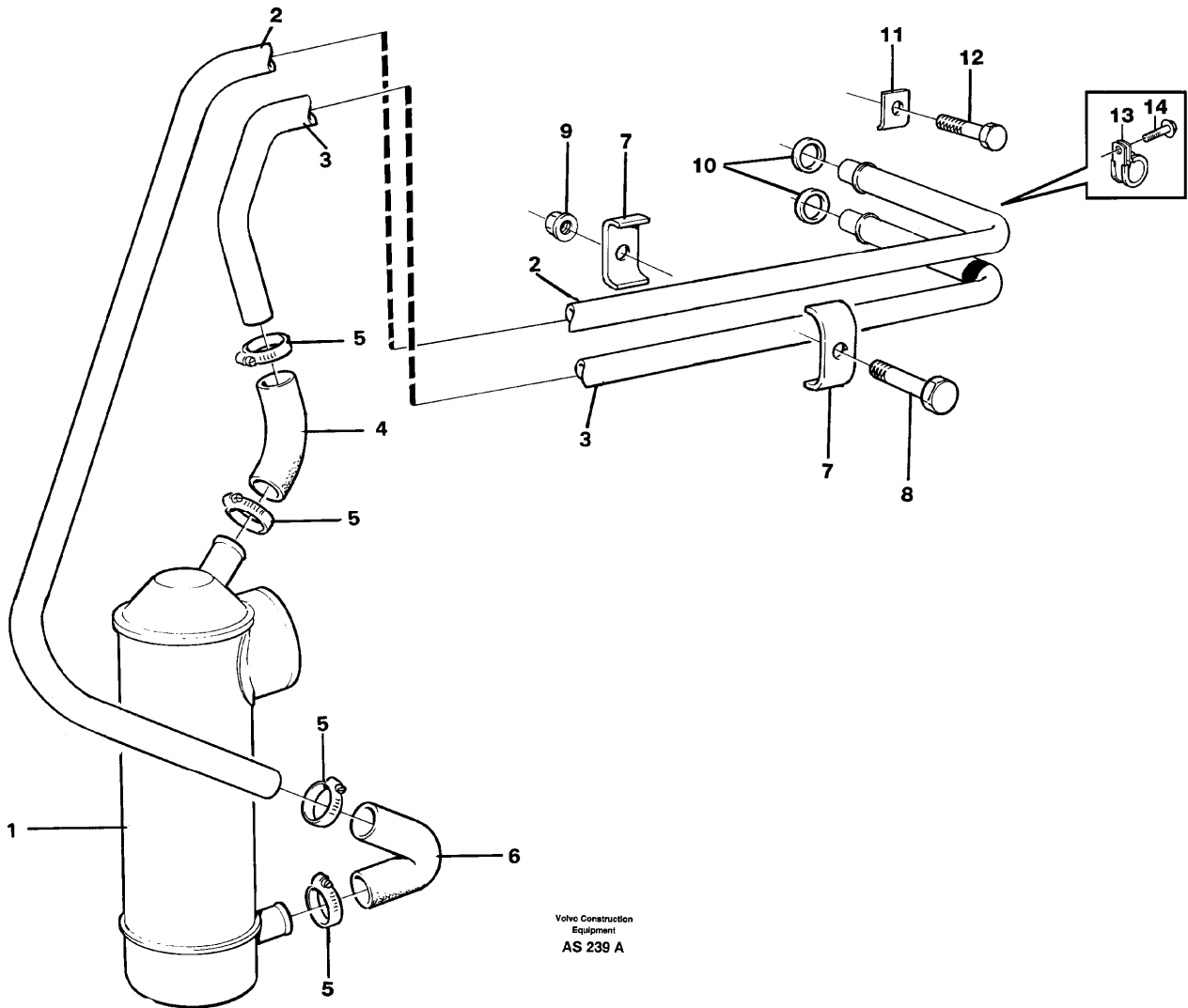
Date: 2014/1/27	Image id: AS237	Catalogue: 97790	Model: L70C
Brand: Volvo	Serial: 13116-16500, 70007-70300	Group/Section: 223/50	Title: Oil cooler



Pos	Part	Q1	Q2	Q3	Q4	Q5	PS	Kit	Description	Option(s)	Remark
-----	------	----	----	----	----	----	----	-----	-------------	-----------	--------

1	VOE465854	1							Oil Cooler		
2	VOE180759	1							•Plugg		(VOE191026)
3	VOE420613	1							Housing		
4		1					NS		•Cap plug		
5	VOE13949656	2							O-ring		
6A	VOE471956	2							Sealing ring		
6B	VOE469483	2							Sealing ring		
7	VOE471602	1							Pipe		
8	VOE955299	2							Hexagon screw		TD61GD
	VOE13948217	2							Flange screw		TD63KDE
9	VOE13955894	2							Washer		(VOE955894)TD61GD
10	VOE946329	3							Flange screw		
11	VOE941908	3							Spring Washer		
12	VOE465858	1							Tensioning Band		
13		2					NS		•Pin nut		
14		1							Hose		See ref 223/100

Date: 2014/1/27	Image id: AS239A	Catalogue: 97790	Model: L70C
Brand: Volvo	Serial: 13116-16500, 70007-70300	Group/Section: 223/100	Title: Oil cooler with hoses



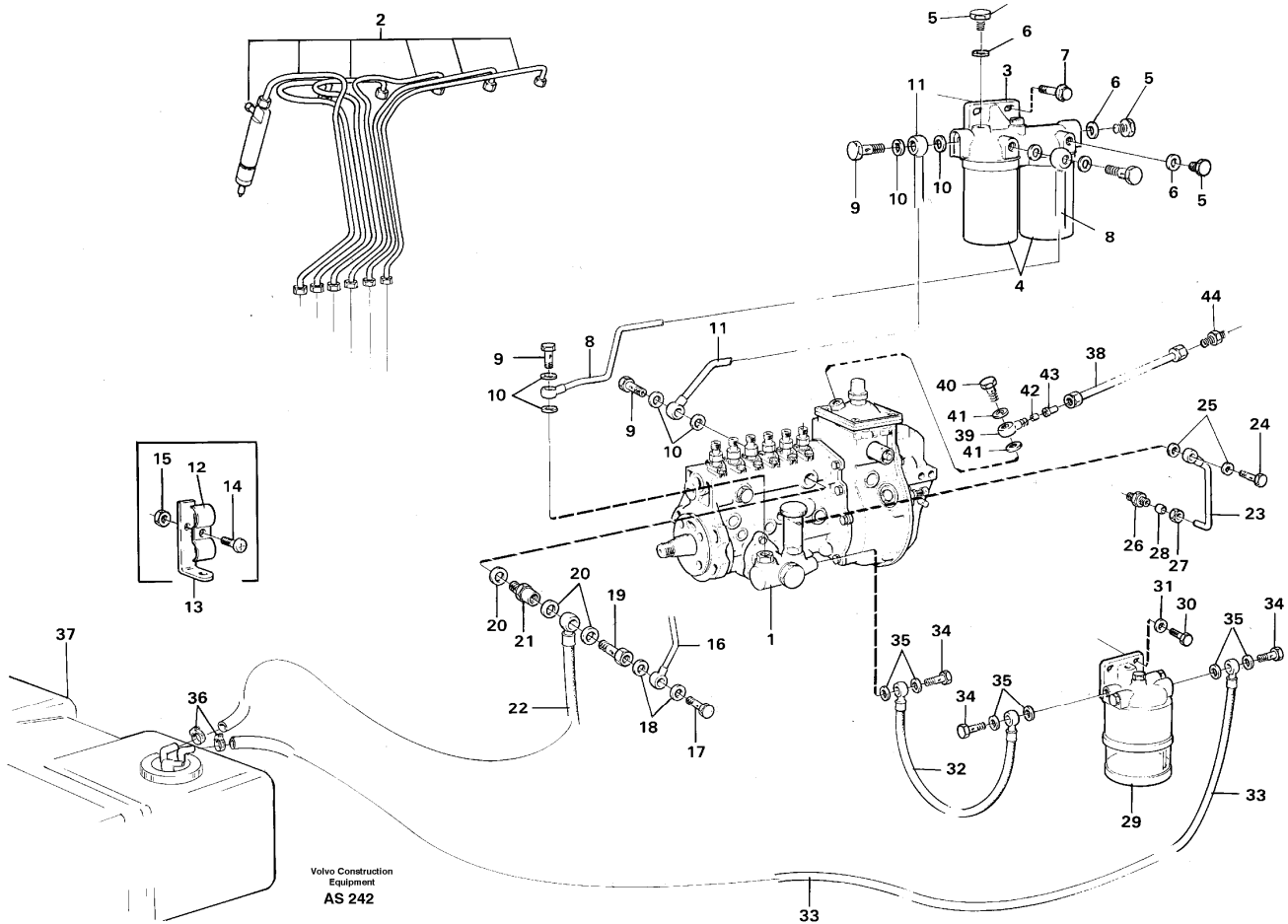
Volvo Construction
Equipment
AS 239 A

Q1-Q5	Option	Option description	
Q1 TD63KDE			
Q2 TD61GD			

Pos	Part	Q1	Q2	Q3	Q4	Q5	PS	Kit	Description	Option(s)	Remark
1		1	1						Oil cooler		See ref 223/50
2	VOE11030892	1	1						Pipe		
3	VOE4772089	1	1						Pipe		
4	VOE943369	REQ	REQ						Hose		L=140MM
5	VOE943473	4	4						Hose clamp		
6	VOE351574	1	1						Hose		

7	VOE424204	2	2						Clamp		
8	VOE946470	1	1						Flange screw		(VOE946470)
9	VOE13945408	1	1						Nut		(EH945408)
10	VOE471626	2	2						Sealing ring		
11	VOE421654	1	1						Clamp		
12	VOE946440	1							Flange screw		
	VOE13965175		1						Screw		(VOE965175)
13	VOE11000239	1	1						Clamp		
14	VOE946440	1	1						Flange screw		

Date: 2014/1/27	Image id: AS242	Catalogue: 97790	Model: L70C
Brand: Volvo	Serial: 13116-16500, 70007-70300	Group/Section: 230/50	Title: Fuel system



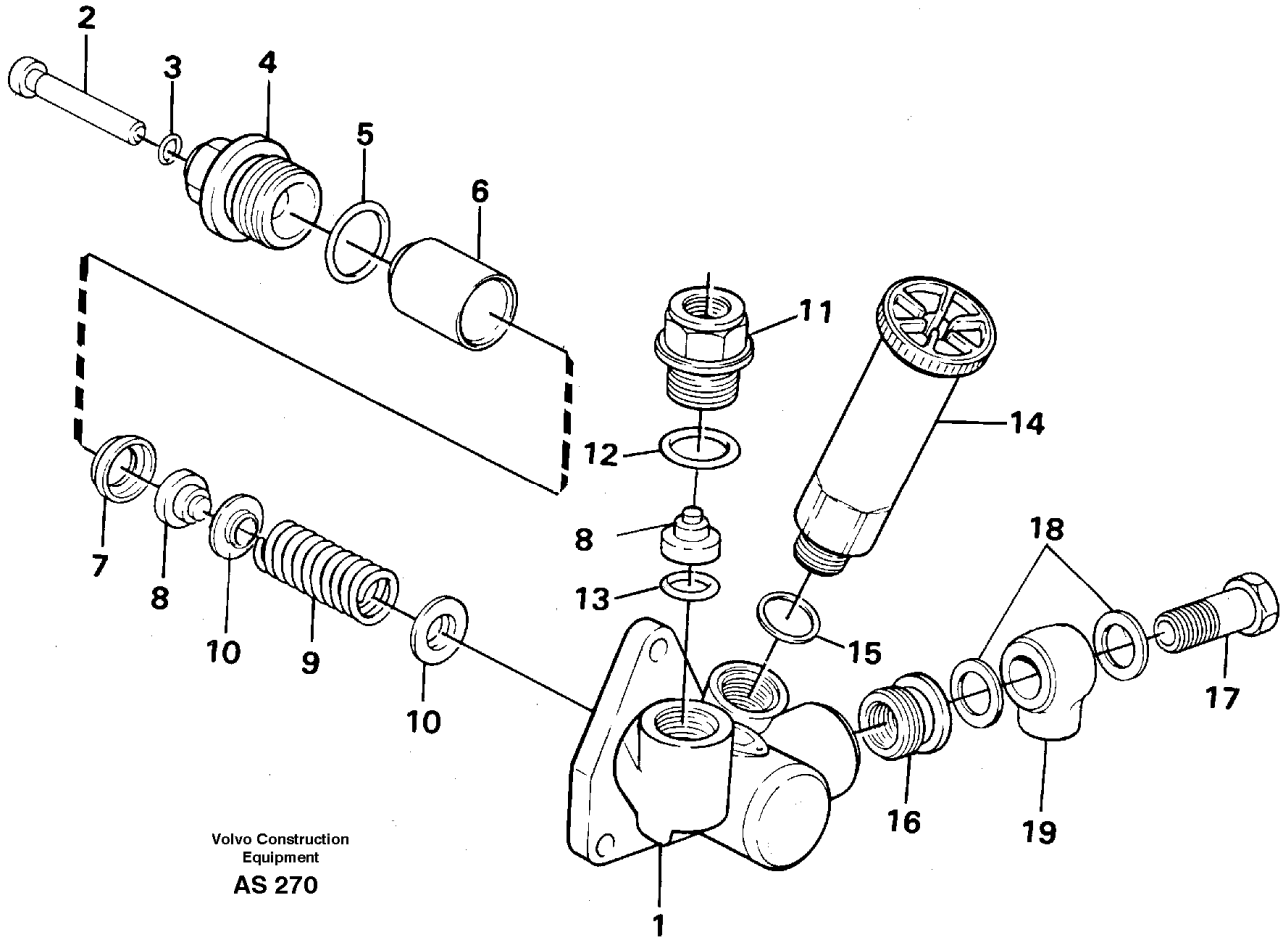
Pos	Part	Q1	Q2	Q3	Q4	Q5	PS	Kit	Description	Option(s)	Remark
1		1							Injection pump		See ref 236/50
2		1							Pipe, injector		See ref 237/50
3		1							Filter Housing		See ref 235/50
4		2							Fuel filter		See ref 235/50
5	VOE960630	3							Plug		
6	VOE13947621	3							Plane gasket		(VOE947621)
7	VOE13946752	2							Screw		
8	VOE420843	1							Fuel pipe		
9	VOE7025167	4							Hollow screw		
10	VOE13969011	8							Gasket		(VOE947621)
11	VOE420651	1							Fuel pipe		
12	VOE404279	4							Clamp		
13	VOE13965556	1							Bracket		(VOE965556)

14	VOE956095	2							Cross recessed screw		
15	VOE13955781	2							Nut		(VOE955781)
16		1							Leak-off line		See ref 237/50
17	VOE7074033	1							Hollow screw		
18	VOE947620	2							Gasket		
19	VOE7016496	1							Hollow screw		
20	VOE13947621	3							Plane gasket		(VOE947621)
21	VOE479775	1							Overflow valve		
22	VOE11030881	1							Fuel hose		
23	VOE7420949	1							Oil feed pipe		
24	VOE7048634	1							Hollow screw		
25	VOE13947281	2							Gasket		(VOE947281)
26	VOE326870	1							Nipple		(VOE326870)
27	VOE954356	1							Fitting nut		
28	VOE954364	1							Ferrule		
29		1							Filter		See ref 233/150
30	VOE946329	2							Flange screw		
31	VOE976945	2							Washer		(VOE13960148)
32	VOE11030780	1							Fuel pipe		
33	VOE11030881	1							Fuel hose		
34	VOE7025167	3							Hollow screw		
35	VOE13947621	6							Plane gasket		(VOE947621)
36	VOE943469	2							Hose clamp		
37		1							Fuel tank		See ref 234/50
38	VOE13945460	REQ							Plastic pipe		L=760MM
39	VOE13945417	1							Banjo nipple		TD63KDE
40	VOE968178	1							Hollow screw		TD63KDE
41	VOE13947282	2							Gasket		TD63KDE
42	VOE954364	2							Ferrule		
43	VOE944717	2							Sleeve		
44	VOE13954378	1							Nipple		TD63KDE

VOLVO

Construction Equipment

Date: 2014/1/27	Image id: AS270	Catalogue: 97790	Model: L70C
Brand: Volvo	Serial: 13116-16500, 70007-70300	Group/Section: 233/50	Title: Feed pump - FD 369



Pos	Part	Q1	Q2	Q3	Q4	Q5	PS	Kit	Description	Option(s)	Remark
	VOE6213583	1							Feed pump		
1		1					NS		•Housing		
2	VOE244840	1							•Push rod		
3	VOE11716292	1							•O-ring		(VOE244829)
4	VOE244841	1							•Housing		
5	VOE15031180	1							•O-ring		(VOE244828)
6	VOE244831	1							•Piston		
7		1					NS		•Spacer ring		
8	VOE244834	2							•Valve		
9	VOE244832	1							•Spring		
10	VOE244833	2							•Spring disc		
11	VOE11987535	1							•Nipple		
12	VOE244844	1							•O-ring		

Thank you so much for reading.
Please click the “Buy Now!”
button below to download the
complete manual.



After you pay.

You can download the most
perfect and complete manual in
the world immediately.

Our support email:

ebooklibonline@outlook.com