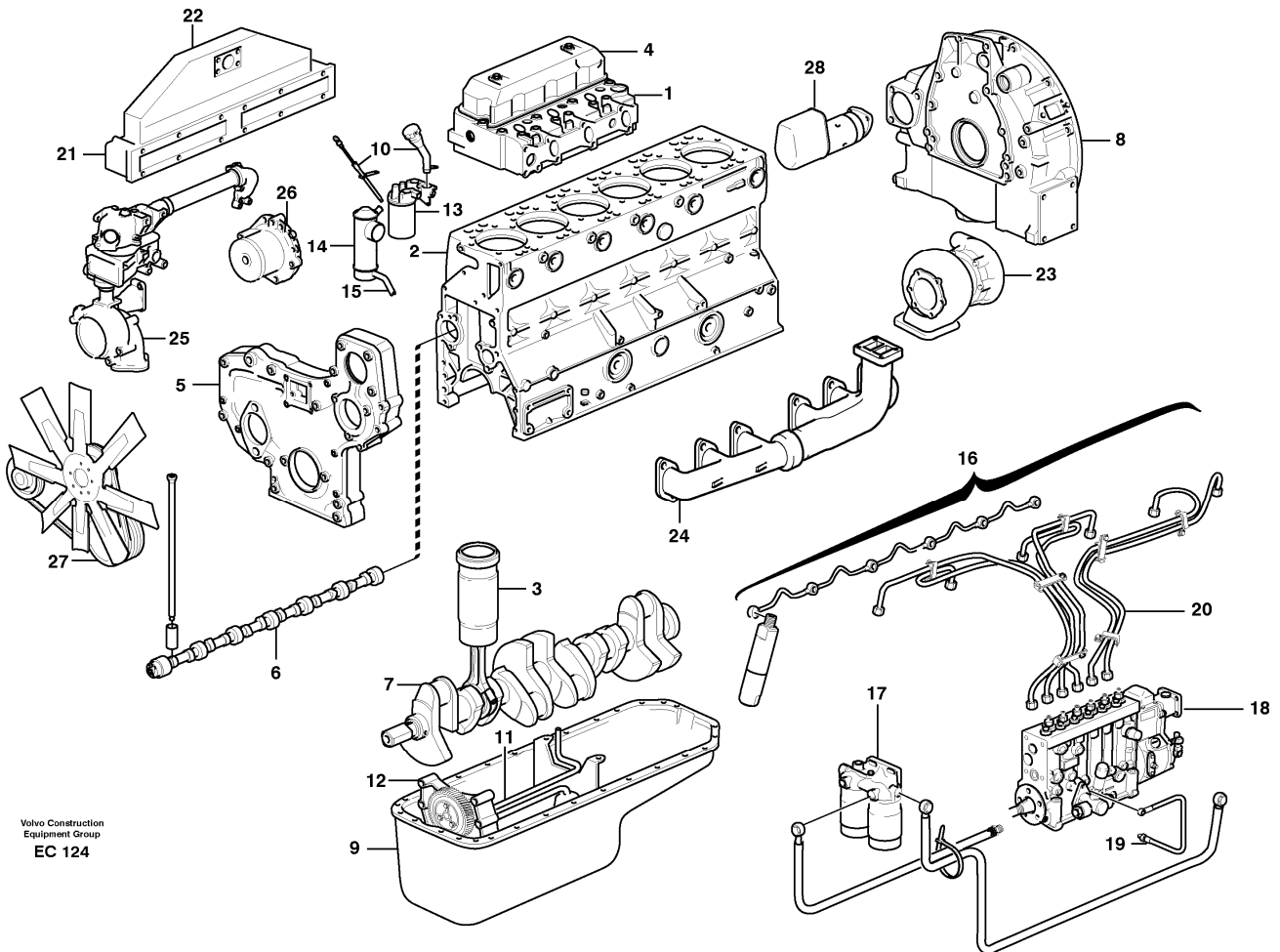


VOLVO

Construction Equipment

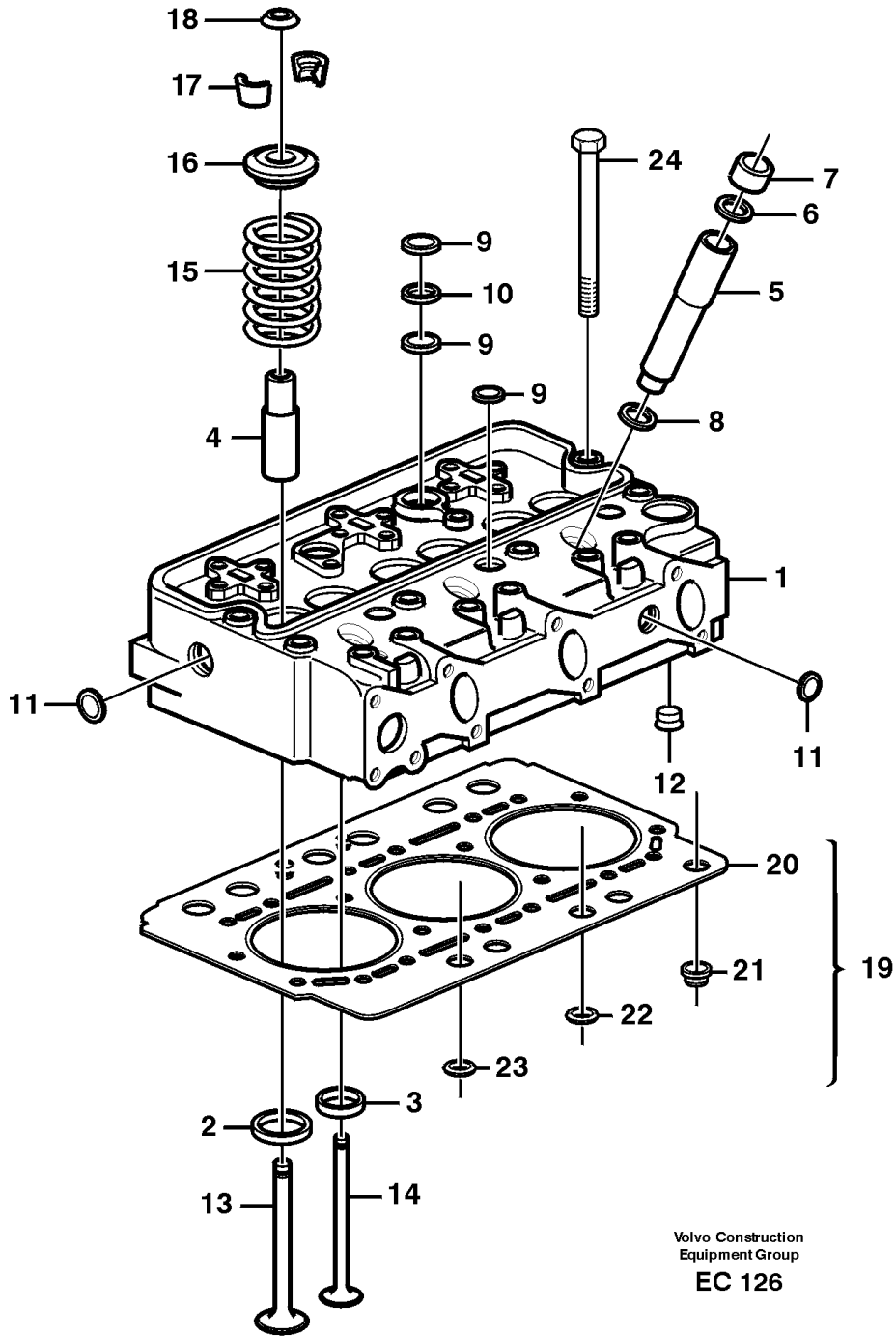
| | | | |
|---------------------------|--|----------------------------------|-------------------------|
| Date: 2014/1/27 | Image id: EC124 | Catalogue: 97810 | Model: L70D |
| Brand: Volvo | Serial: 17002-19997, 70301-70830 | Group/Section: 210/150 | Title: Engine |



| Pos | Part | Q1 | Q2 | Q3 | Q4 | Q5 | PS | Kit | Description | Option(s) | Remark |
|-----|------------|----|----|----|----|----|----|-----|---------------------|-----------------------|-----------------|
| | VOE8188103 | 1 | | | | | | | Engine | | TD 63 KGE |
| | VOE8188105 | 1 | | | | | | | Engine | VOE80510, VOE93661 | TD 63 KGE |
| 1 | | 2 | | | | | | | •Cylinder head | | See ref 211/100 |
| 2 | | 1 | | | | | | | •Cylinder block | | See ref 212/100 |
| 3 | | 6 | | | | | | | •Cylinder liner | | See ref 213/100 |
| 4 | | 1 | | | | | | | •Valve mechanism | | See ref 214/100 |
| 5 | | 1 | | | | | | | •Timing gear casing | | See ref 215/100 |
| 6 | | 1 | | | | | | | •Camshaft | | See ref 215/150 |
| 7 | | 1 | | | | | | | •Crankshaft | | See ref 216/100 |
| 8 | | 1 | | | | | | | •Flywheel housing | | See ref 216/150 |
| 9 | | 1 | | | | | | | •Oil sump | | See ref 217/100 |

| | | | | | | | | | | | |
|----|--|---|--|--|--|--|--|--|------------------------|--|-----------------|
| 10 | | 1 | | | | | | | •Oil filler and oil | | |
| | | | | | | | | | ••••dipstick | | See ref 217/150 |
| 11 | | 1 | | | | | | | •Lubricating system | | See ref 221/100 |
| 12 | | 1 | | | | | | | •Oil pump | | See ref 221/150 |
| 13 | | 1 | | | | | | | •Oil filter | | See ref 222/100 |
| 14 | | 1 | | | | | | | •Oil cooler | | See ref 223/100 |
| 15 | | 1 | | | | | | | •Oil cooler with hoses | | |
| | | | | | | | | | ••••Nipple | | See ref 223/150 |
| 16 | | 1 | | | | | | | •Fuel system | | See ref 230/100 |
| 17 | | 1 | | | | | | | ••Fuel pipe | | See ref 235/150 |
| 18 | | 1 | | | | | | | ••Injection pump | | See ref 236/100 |
| 19 | | 1 | | | | | | | ••Oil pipe | | See ref 236/300 |
| 20 | | 1 | | | | | | | ••Fuel pipe | | See ref 237/100 |
| 21 | | 1 | | | | | | | •Inlet pipe | | See ref 251/100 |
| 22 | | 1 | | | | | | | •Charge air cooler | | See ref 258/100 |
| 23 | | 1 | | | | | | | •Turbocharger | | See ref 255/100 |
| 24 | | 1 | | | | | | | •Exhaust pipe | | See ref 251/100 |
| 25 | | 1 | | | | | | | •Water pump | | See ref 262/100 |
| 26 | | 1 | | | | | | | •Extra water pump | | See ref 262/150 |
| 27 | | 1 | | | | | | | •Belt transmission | | See ref 263/250 |
| 28 | | 1 | | | | | | | •Starter motor | | See ref 331/100 |

| | | | |
|---------------------------|--|----------------------------------|--------------------------------|
| Date: 2014/1/27 | Image id: EC126 | Catalogue: 97810 | Model: L70D |
| Brand: Volvo | Serial: 17002-19997, 70301-70830 | Group/Section: 211/100 | Title: Cylinder head |

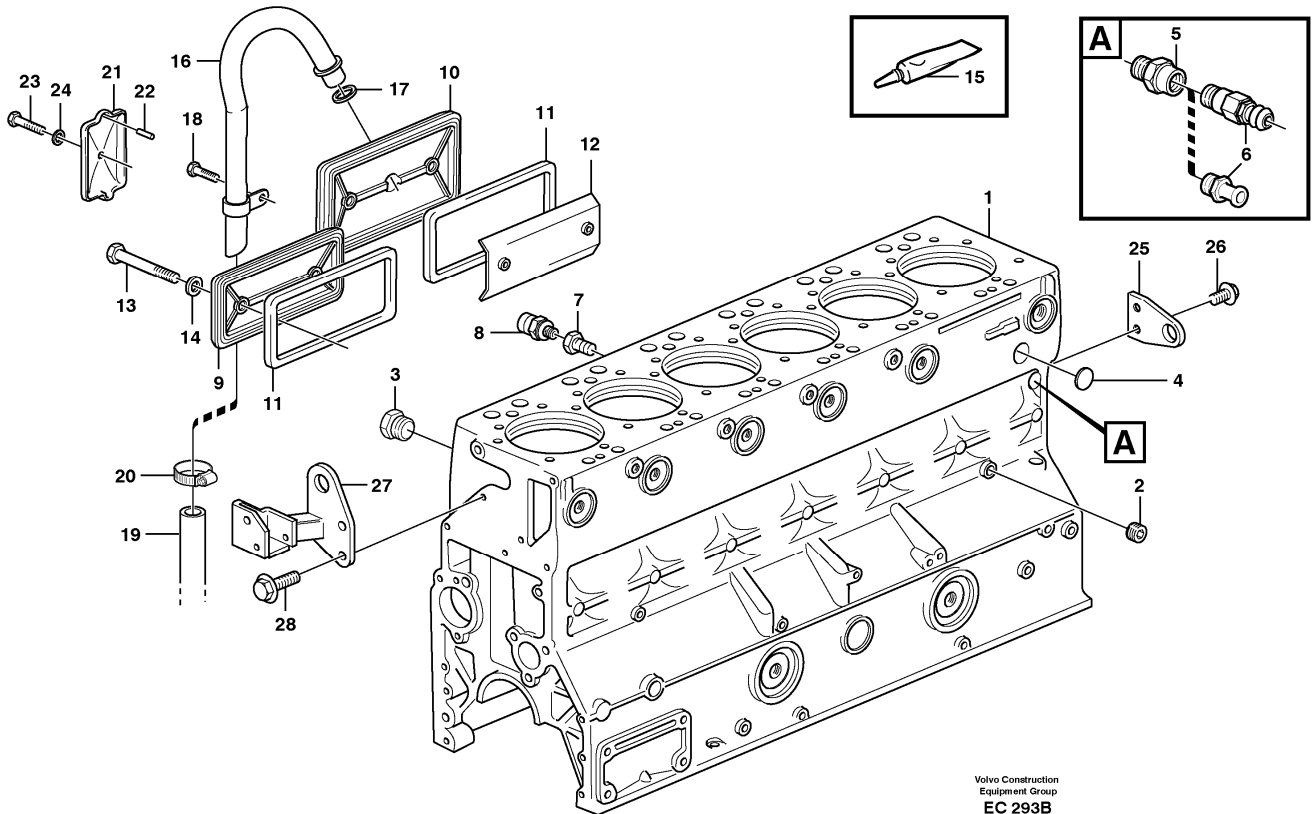


Volvo Construction
Equipment Group
EC 126

| Pos | Part | Q1 | Q2 | Q3 | Q4 | Q5 | PS | Kit | Description | Option(s) | Remark |
|-----|------|----|----|----|----|----|----|-----|-------------|-----------|--------|
|-----|------|----|----|----|----|----|----|-----|-------------|-----------|--------|

| | | | | | | | | | | | |
|----|------------|----|--|--|--|--|----|--|--------------------|--|--------------|
| | VOE420878 | 2 | | | | | | | Cylinder head | | |
| 1 | VOE420939 | 2 | | | | | NS | | •Cylinder head | | |
| 2 | VOE420874 | 6 | | | | | | | ••Valve seat | | STD, INLET |
| | VOE420876 | 6 | | | | | | | ••Valve seat | | 0,20 O SZ |
| 3 | VOE420875 | 6 | | | | | | | ••Valve seat | | STD, EXHAUST |
| | VOE420877 | 6 | | | | | | | ••Valve seat | | 0,20 O SZ |
| 4 | VOE477792 | 12 | | | | | | | ••Valve guide | | |
| 5 | VOE8192085 | 6 | | | | | | | ••Sleeve | | |
| 6 | VOE466405 | 6 | | | | | | | ••Sealing ring | | |
| 7 | VOE466420 | 6 | | | | | | | ••Ring | | |
| 8 | VOE466922 | 6 | | | | | | | ••Sealing ring | | |
| 9 | VOE477026 | 14 | | | | | | | ••Expansion plug | | |
| 10 | VOE947626 | 4 | | | | | | | ••Gasket | | |
| 11 | VOE477024 | 8 | | | | | | | ••Expansion plug | | |
| 12 | VOE465420 | 4 | | | | | | | ••Nozzle | | |
| 13 | VOE420553 | 6 | | | | | SS | | •Inlet valve | | |
| 14 | VOE8192143 | 6 | | | | | | | •Exhaust valve | | |
| 15 | VOE465233 | 12 | | | | | | | •Valve spring | | |
| 16 | VOE465550 | 12 | | | | | | | •Washer | | |
| 17 | VOE1677875 | 24 | | | | | | | •Valve Collet | | |
| 18 | VOE465551 | 12 | | | | | | | •Protecting sleeve | | |
| 19 | VOE276821 | 2 | | | | | | | Gasket kit | | |
| 20 | VOE8192029 | 2 | | | | | NS | | •Gasket | | |
| 21 | VOE466421 | 16 | | | | | | | •Sealing ring | | |
| 22 | VOE465784 | 12 | | | | | | | •Sealing | | |
| 23 | VOE422413 | 2 | | | | | | | •Sealing ring | | |
| 24 | VOE465840 | 40 | | | | | | | Screw | | |

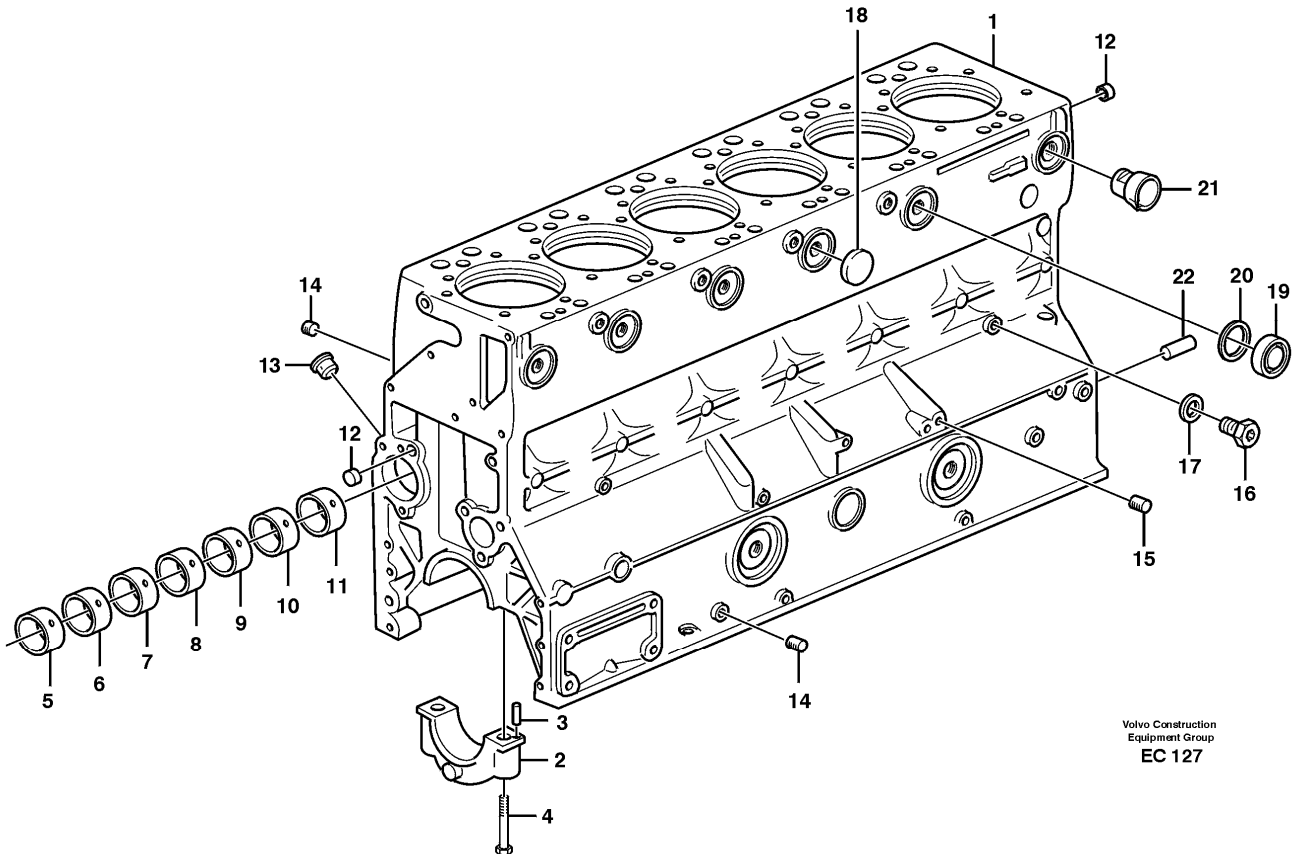
| | | | |
|---------------------------|--|----------------------------------|---------------------------------|
| Date: 2014/1/27 | Image id: EC293B | Catalogue: 97810 | Model: L70D |
| Brand: Volvo | Serial: 17002-19997, 70301-70830 | Group/Section: 212/100 | Title: Cylinder block |



| Pos | Part | Q1 | Q2 | Q3 | Q4 | Q5 | PS | Kit | Description | Option(s) | Remark |
|-----|-------------|----|----|----|----|----|----|-----|------------------|-----------|-----------------|
| 1 | VOE420990 | 1 | | | | | | | Cylinder block | | See ref 212/150 |
| 2 | VOE968060 | 1 | | | | | | | Plug | | |
| 3 | VOE479979 | 4 | | | | | | | Plug | | |
| 4 | VOE420589 | 1 | | | | | | | Expansion plug | | |
| 5 | VOE479954 | 1 | | | | | | | Nipple | | |
| 6 | VOE13947893 | 1 | | | | | | | Crane | | |
| | VOE192555 | 1 | | | | | | | Nipple | VOE80408 | |
| 7 | VOE11030986 | 1 | | | | | | | Nipple | | |
| 8 | VOE11039575 | 1 | | | | | | | Pressure sensor | | SE202 |
| 8 | VOE11039249 | 1 | | | | | | | Pressure monitor | VOE33160 | SE16 |
| 9 | VOE420120 | 1 | | | | | | | Inspection lid | | |
| 10 | VOE420121 | 1 | | | | | | | Hatch | | |
| 11 | VOE421121 | 2 | | | | | | | Gasket | | |
| 12 | VOE3978045 | 1 | | | | | | | Splash plate | | (VOE471858) |
| 13 | VOE471855 | 4 | | | | | | | Screw | | |
| 14 | VOE471856 | 4 | | | | | | | Sealing ring | | |

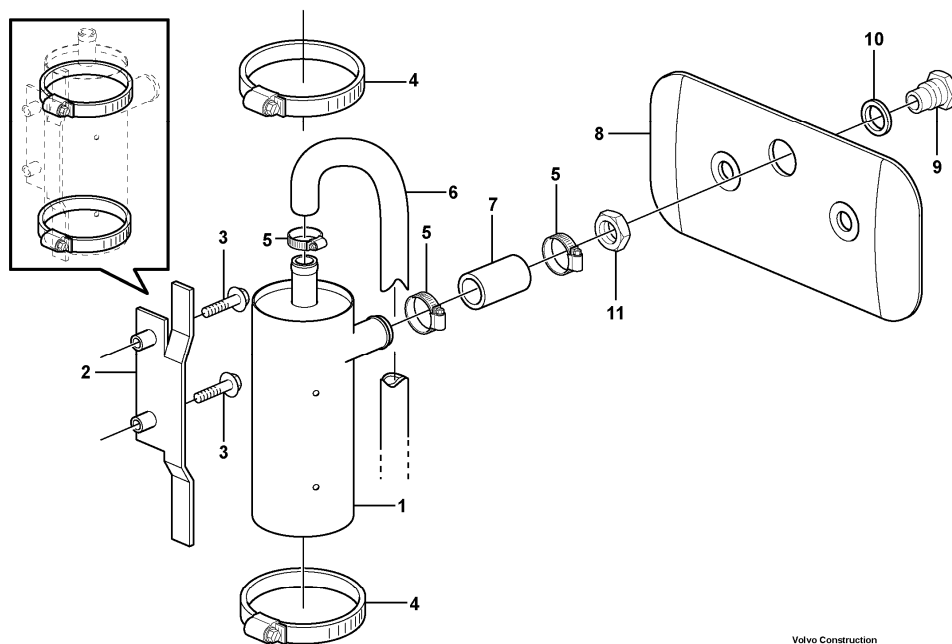
| | | | | | | | | | | | |
|----|-------------|-----|--|--|--|--|----|--|---------------|-----------------------|-----------------|
| 15 | VOE1161277 | REQ | | | | | | | Sealant | | 20 GRAM |
| 16 | VOE848497 | 1 | | | | | | | Breather pipe | | |
| 17 | VOE421158 | 1 | | | | | | | Sealing ring | | |
| 18 | VOE946440 | 1 | | | | | | | Flange screw | | |
| 19 | VOE927661 | REQ | | | | | | | Rubber hose | | L = 340 MM |
| 20 | VOE943475 | 1 | | | | | | | Hose clamp | | |
| 21 | VOE471854 | 1 | | | | | | | Cover | | |
| 22 | VOE13951973 | 1 | | | | | | | Spring pin | | |
| 23 | VOE471855 | 1 | | | | | | | Screw | | |
| 24 | VOE471856 | 1 | | | | | | | Sealing ring | | |
| 25 | VOE11030731 | 2 | | | | | | | Bracket | | |
| 26 | VOE13965191 | 4 | | | | | | | Screw | | |
| 27 | VOE11127774 | 1 | | | | | | | Bracket | | See ref 262/150 |
| | VOE420556 | 1 | | | | | NS | | Bracket | VOE80510, VOE93661 | |
| 28 | VOE13965191 | 2 | | | | | | | Screw | | |

| | | | |
|---------------------------|--|----------------------------------|---------------------------------|
| Date: 2014/1/27 | Image id: EC127 | Catalogue: 97810 | Model: L70D |
| Brand: Volvo | Serial: 17002-19997, 70301-70830 | Group/Section: 212/150 | Title: Cylinder block |



| Pos | Part | Q1 | Q2 | Q3 | Q4 | Q5 | PS | Kit | Description | Option(s) | Remark |
|-----|-------------|----|----|----|----|----|----|-----|-----------------|-----------|--------|
| | VOE420990 | 1 | | | | | | | Cylinder block | | |
| 1 | VOE420981 | 1 | | | | | NS | | •Cylinder block | | |
| 2 | | 7 | | | | | NS | | •Cap | | |
| 3 | VOE422426 | 7 | | | | | | | ••Pin | | |
| 4 | VOE465899 | 14 | | | | | | | ••Screw | | |
| 5 | VOE422076 | 1 | | | | | | | •Bushing | | |
| 6 | VOE422077 | 1 | | | | | | | •Bushing | | |
| 7 | VOE422078 | 1 | | | | | | | •Bushing | | |
| 8 | VOE11000014 | 1 | | | | | | | •Bushing | | |
| 9 | VOE422080 | 1 | | | | | | | •Bushing | | |
| 10 | VOE422081 | 1 | | | | | | | •Bushing | | |
| 11 | VOE422082 | 1 | | | | | | | •Bushing | | |
| 12 | VOE955082 | 6 | | | | | | | •Cap plug | | |

| | | | |
|---------------------------|--|----------------------------------|--|
| Date: 2014/1/27 | Image id: 1014489 | Catalogue: 97810 | Model: L70D |
| Brand: Volvo | Serial: 17002-19997, 70301-70830 | Group/Section: 212/200 | Title: Oil trap, crankcase ventilation 80426 |

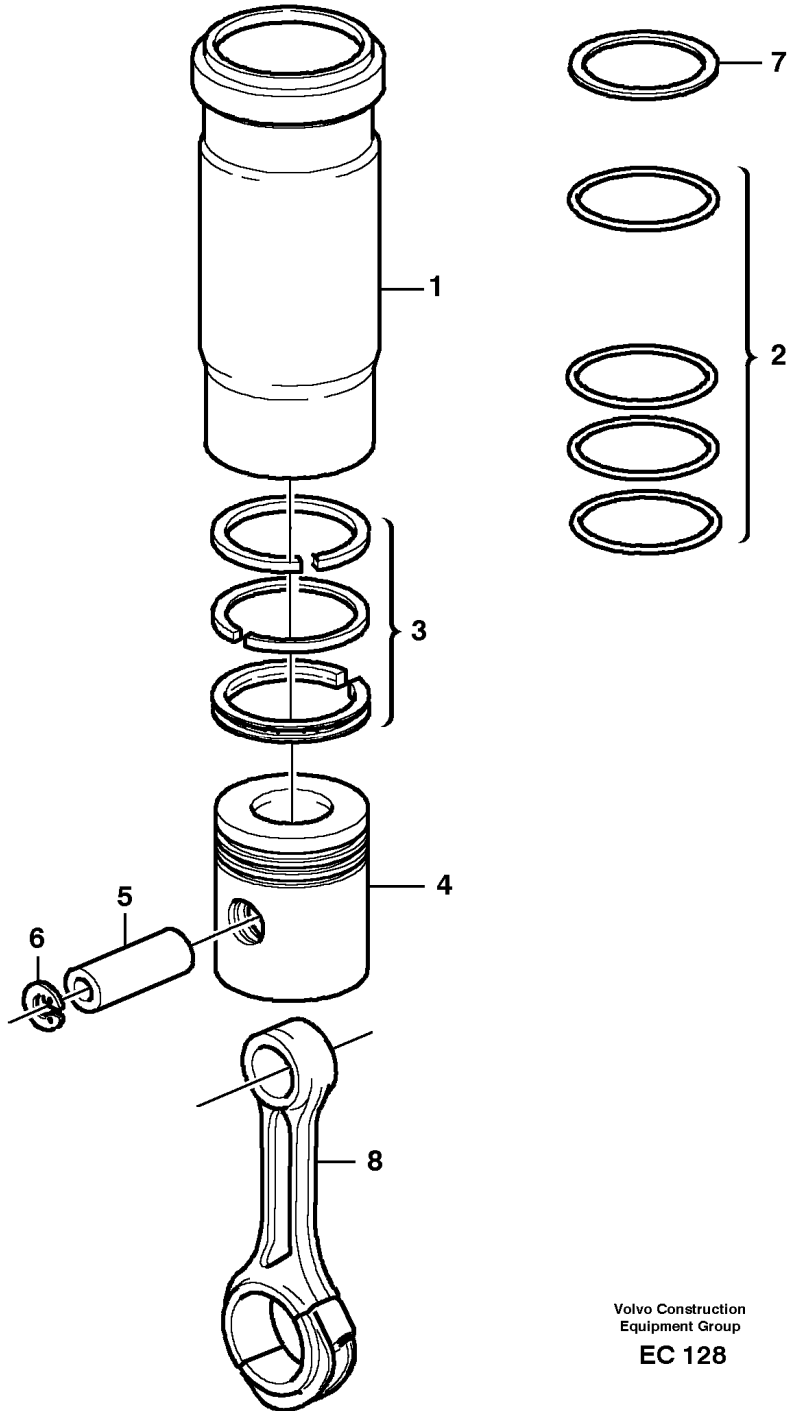


Volvo Construction
Equipment
1014489

| Section option | Kit | Option description |
|----------------|-----|---------------------------------|
| VOE80426 | | Oil trap, crankcase ventilation |

| Pos | Part | Q1 | Q2 | Q3 | Q4 | Q5 | PS | Kit | Description | Option(s) | Remark |
|-----|-------------|-----|----|----|----|----|----|-----|----------------|-----------|-----------|
| 1 | VOE11172666 | 1 | | | | | | | Oil trap | | |
| 2 | VOE11147750 | 1 | | | | | | | Bracket | | |
| 3 | VOE969225 | 2 | | | | | | | Flange screw | | |
| 4 | VOE943483 | 2 | | | | | | | Hose clamp | | |
| 5 | VOE943475 | 3 | | | | | | | Hose clamp | | |
| 6 | VOE13942707 | REQ | | | | | | | Hose | | L = 900MM |
| 7 | VOE13942707 | REQ | | | | | | | Hose | | L = 80MM |
| 8 | VOE11162160 | 1 | | | | | | | Inspection lid | | |
| 9 | VOE11162161 | 1 | | | | | | | Tube | | |
| 10 | VOE468947 | 1 | | | | | | | Sealing ring | | |
| 11 | VOE468948 | 1 | | | | | | | Nut | | |

| | | | |
|---------------------------|--|----------------------------------|---------------------------------|
| Date: 2014/1/27 | Image id: EC128 | Catalogue: 97810 | Model: L70D |
| Brand: Volvo | Serial: 17002-19997, 70301-70830 | Group/Section: 213/100 | Title: Cylinder liner |

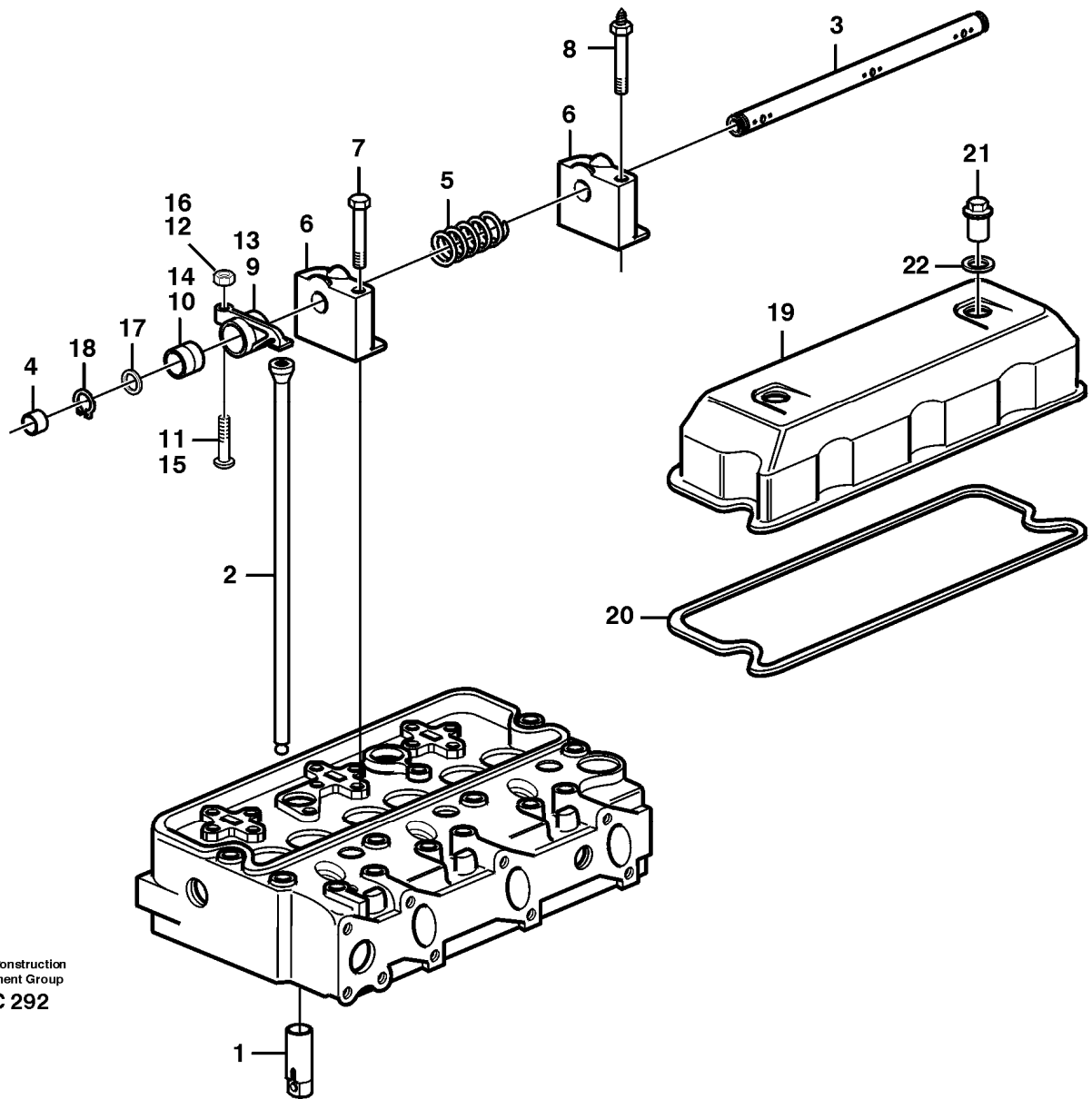


Volvo Construction
Equipment Group
EC 128

| Pos | Part | Q1 | Q2 | Q3 | Q4 | Q5 | PS | Kit | Description | Option(s) | Remark |
|-----|------|----|----|----|----|----|----|-----|-------------|-----------|--------|
|-----|------|----|----|----|----|----|----|-----|-------------|-----------|--------|

| | | | | | | | | | | | |
|---|------------|-----|--|--|--|--|----|--|--------------------|--|-----------------|
| | VOE276929 | 6 | | | | | | | Cylinder liner kit | | |
| 1 | | 6 | | | | | NS | | •Cylinder liner | | |
| 2 | VOE271161 | 6 | | | | | | | •Seg Ring Kit | | |
| | | 6 | | | | | NS | | ••Sealing strip | | UPPER |
| | | 18 | | | | | NS | | ••Sealing strip | | LOW |
| 3 | VOE276310 | 6 | | | | | | | •Piston Ring Kit | | |
| 4 | | 6 | | | | | NS | | •Piston | | |
| 5 | VOE3978023 | 6 | | | | | | | •Piston Pin | | |
| 6 | VOE914523 | 12 | | | | | | | •Snap Ring | | |
| 7 | VOE465394 | REQ | | | | | | | Shim | | THICK = 0,20 MM |
| | VOE465395 | REQ | | | | | | | Shim | | THICK = 0,30 MM |
| | VOE465396 | REQ | | | | | | | Shim | | THICK = 0,50 MM |
| 8 | | 6 | | | | | | | Connecting rod | | See ref 216/100 |

| | | | |
|---------------------------|--|----------------------------------|----------------------------------|
| Date: 2014/1/27 | Image id: EC292 | Catalogue: 97810 | Model: L70D |
| Brand: Volvo | Serial: 17002-19997, 70301-70830 | Group/Section: 214/100 | Title: Valve mechanism |

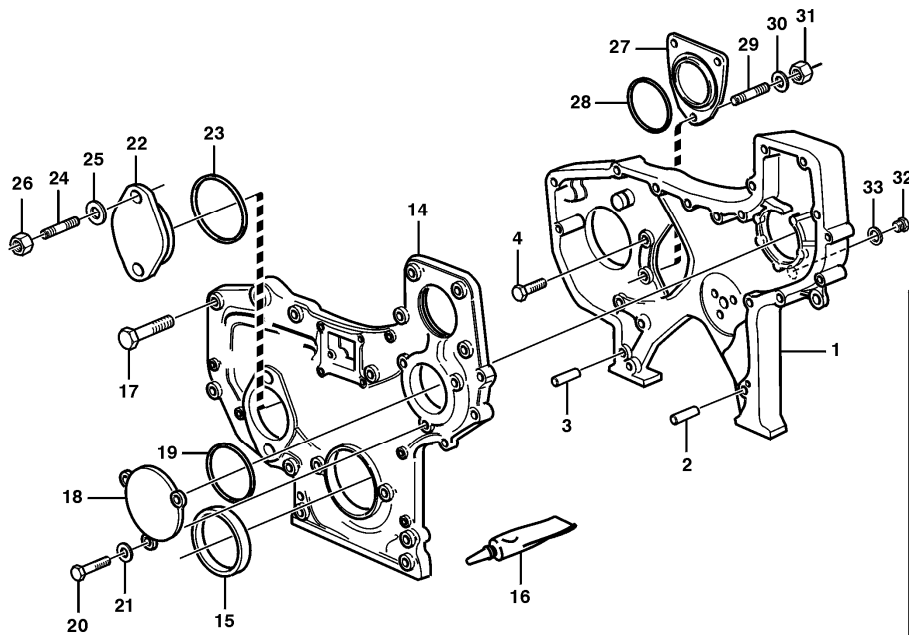


Volvo Construction
Equipment Group
EC 292

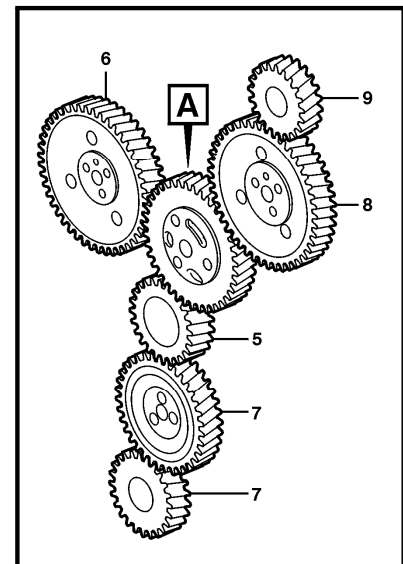
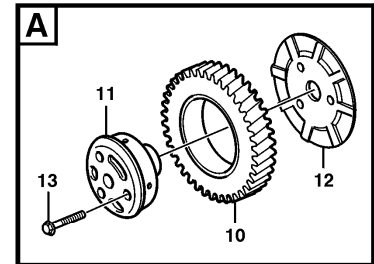
| Pos | Part | Q1 | Q2 | Q3 | Q4 | Q5 | PS | Kit | Description | Option(s) | Remark |
|-----|-----------|----|----|----|----|----|----|-----|-------------|-----------|-----------------|
| 1 | VOE421067 | 12 | | | | | | | Tappet | | See ref 215/150 |
| 2 | VOE420021 | 12 | | | | | | | Rod | | |
| 3 | VOE465790 | 2 | | | | | | | Shaft | | |

| | | | | | | | | | | | |
|----|-------------|---|--|--|--|--|----|--|-----------------|--|---------|
| 4 | VOE13955083 | 4 | | | | | | | •Cap plug | | |
| 5 | VOE411139 | 4 | | | | | | | Spring | | |
| 6 | VOE1665204 | 6 | | | | | | | Bearing Bracket | | |
| 7 | VOE471513 | 8 | | | | | | | Screw | | |
| 8 | VOE471512 | 4 | | | | | | | Screw | | |
| | VOE7420129 | 6 | | | | | | | Rocker arm | | INLET |
| 9 | VOE420130 | 6 | | | | | NS | | •Rocker arm | | |
| 10 | VOE420125 | 6 | | | | | | | ••Bushing | | |
| 11 | VOE422993 | 6 | | | | | | | •Bolt | | |
| 12 | VOE940175 | 6 | | | | | | | •Nut | | |
| | VOE420132 | 6 | | | | | | | Rocker arm | | EXHAUST |
| 13 | VOE420133 | 6 | | | | | NS | | •Rocker arm | | |
| 14 | VOE420125 | 6 | | | | | | | ••Bushing | | |
| 15 | VOE422993 | 6 | | | | | | | •Bolt | | |
| 16 | VOE940175 | 6 | | | | | | | •Nut | | |
| 17 | VOE7400722 | 4 | | | | | | | Shim | | |
| 18 | VOE914456 | 4 | | | | | | | Retaining ring | | |
| 19 | VOE465951 | 2 | | | | | | | Valve cover | | |
| 20 | VOE465952 | 2 | | | | | | | Gasket | | |
| 21 | VOE465961 | 4 | | | | | | | Cap nut | | |
| 22 | VOE471856 | 4 | | | | | | | Sealing ring | | |

| | | | |
|---------------------------|--|----------------------------------|-------------------------------------|
| Date: 2014/1/27 | Image id: EC129 | Catalogue: 97810 | Model: L70D |
| Brand: Volvo | Serial: 17002-19997, 70301-70830 | Group/Section: 215/100 | Title: Timing gear casing |



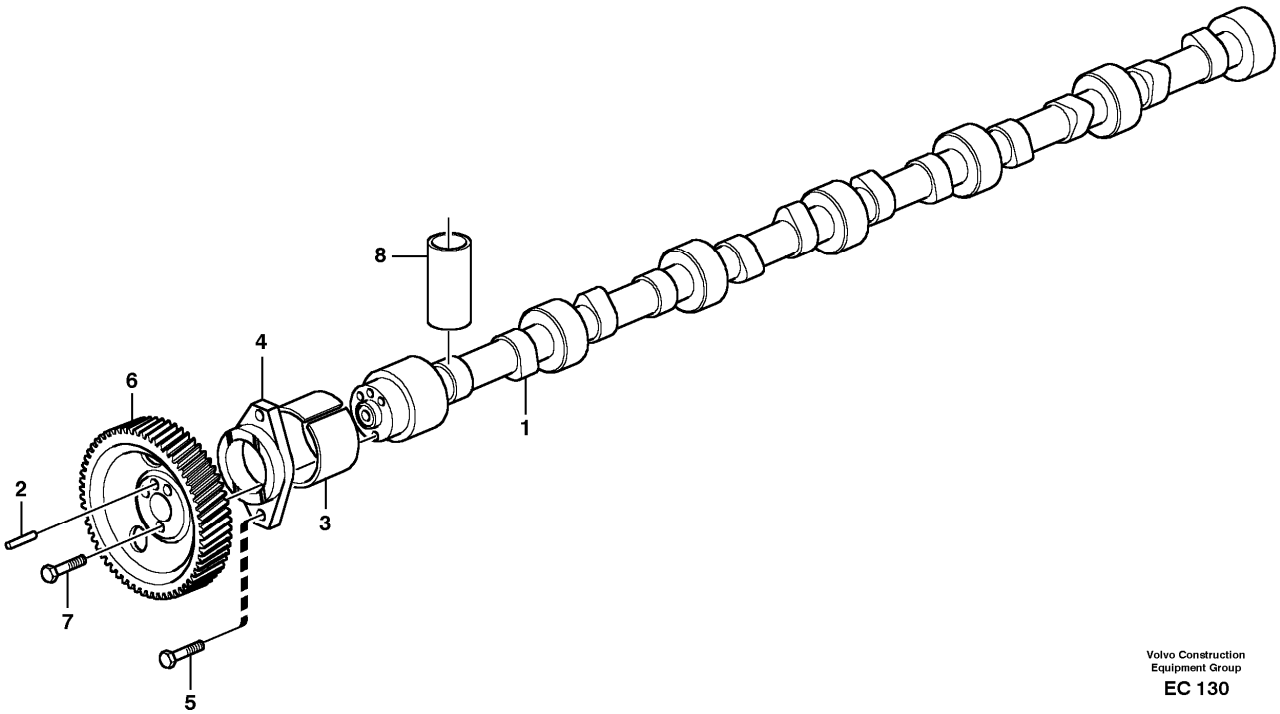
Volvo Construction
Equipment Group
EC 129



| Pos | Part | Q1 | Q2 | Q3 | Q4 | Q5 | PS | Kit | Description | Option(s) | Remark |
|-----|-------------|----|----|----|----|----|----|-----|------------------|-----------|-----------------|
| 1 | VOE3978745 | 1 | | | | | | | Tmg Gear Casing | | |
| 2 | VOE13941510 | 1 | | | | | | | Pin | | |
| 3 | VOE13941511 | 1 | | | | | | | Pin | | |
| 4 | VOE471534 | 2 | | | | | | | Screw | | L = 28 MM |
| | VOE471535 | 2 | | | | | | | Screw | | L = 58 MM |
| 5 | | 1 | | | | | | | Crankshaft gear | | See ref 216/100 |
| 6 | | 1 | | | | | | | Camshaft gear | | See ref 215/150 |
| 7 | | 2 | | | | | | | Oilpump gear | | See ref 221/150 |
| 8 | | 1 | | | | | | | Gear,inject.pump | | See ref 236/100 |
| 9 | | 1 | | | | | | | Water pump ger | | See ref 262/200 |
| 10 | VOE8192518 | 1 | | | | | | | Idler Gear | | |
| 11 | VOE11704619 | 1 | | | | | | | Axle | | |
| 12 | VOE478951 | 1 | | | | | | | Thrust Washer | | |
| 13 | VOE471554 | 3 | | | | | | | Screw | | |

| | | | | | | | | | | | |
|----|-------------|-----|--|--|--|--|--|--|----------------|--|-------------|
| 14 | VOE8192590 | 1 | | | | | | | Tmg Gear Cover | | |
| 15 | VOE477118 | 1 | | | | | | | •Sealing ring | | |
| 16 | VOE1161277 | REQ | | | | | | | Sealant | | 20 GRAM |
| 17 | VOE13947760 | 7 | | | | | | | Flange screw | | M8 x 40 MM |
| | VOE13948217 | 2 | | | | | | | Flange screw | | M8 x 45 MM |
| | VOE13965216 | 1 | | | | | | | Screw | | M8 x 55 MM |
| | VOE13965182 | 6 | | | | | | | Flange screw | | M8 x 80 MM |
| | VOE13965183 | 1 | | | | | | | Flange screw | | M8 x 90 MM |
| | VOE965225 | 1 | | | | | | | Flange screw | | M12 x 35 MM |
| 18 | VOE471559 | 1 | | | | | | | Cap | | |
| 19 | VOE925257 | 1 | | | | | | | O-ring | | |
| 20 | VOE13945444 | 3 | | | | | | | Flange screw | | |
| 21 | VOE13941907 | 3 | | | | | | | Spring Washer | | |
| 22 | VOE465735 | 1 | | | | | | | Cap | | |
| 23 | VOE925094 | 1 | | | | | | | O-ring | | |
| 24 | VOE479972 | 1 | | | | | | | Stud | | L = 45 MM |
| | VOE479973 | 1 | | | | | | | Stud | | L = 65 MM |
| 25 | VOE955895 | 2 | | | | | | | Washer | | |
| 26 | VOE13971095 | 2 | | | | | | | Flange nut | | |
| 27 | VOE420178 | 1 | | | | | | | Cover | | |
| 28 | VOE13975610 | 1 | | | | | | | O-ring | | |
| 29 | VOE967951 | 3 | | | | | | | Stud | | |
| 30 | VOE955899 | 3 | | | | | | | Washer | | |
| 31 | VOE13971097 | 3 | | | | | | | Flange nut | | |
| 32 | VOE13960632 | 2 | | | | | | | Plug | | |
| 33 | VOE13947624 | 2 | | | | | | | Plane Gasket | | |

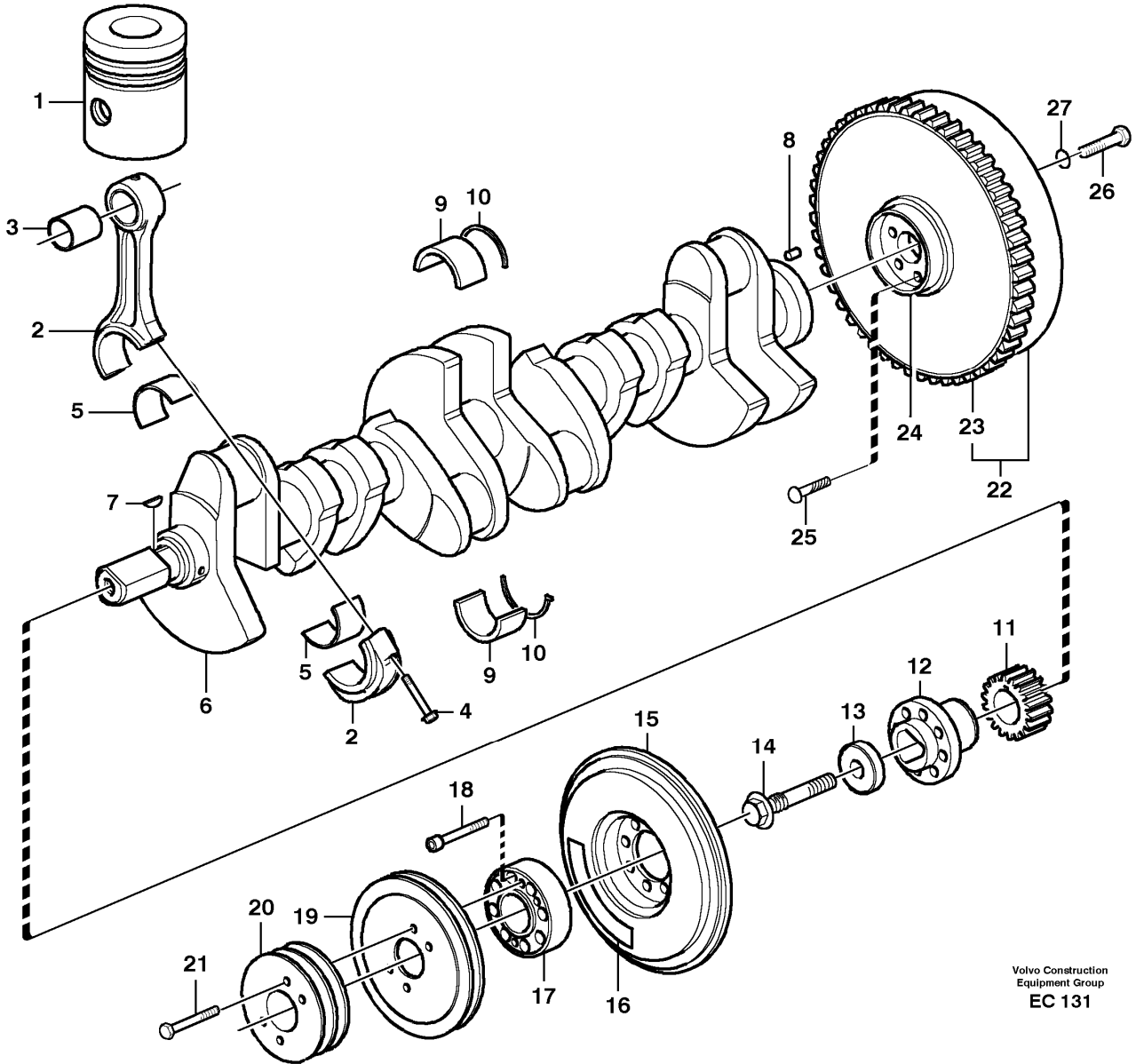
| | | | |
|---------------------------|--|----------------------------------|---------------------------|
| Date: 2014/1/27 | Image id: EC130 | Catalogue: 97810 | Model: L70D |
| Brand: Volvo | Serial: 17002-19997, 70301-70830 | Group/Section: 215/150 | Title: Camshaft |



Volvo Construction
Equipment Group
EC 130

| Pos | Part | Q1 | Q2 | Q3 | Q4 | Q5 | PS | Kit | Description | Option(s) | Remark |
|-----|-----------|----|----|----|----|----|----|-----|-----------------|-----------|-----------------|
| | VOE465787 | 1 | | | | | | | Camshaft | | |
| 1 | VOE465788 | 1 | | | | | NS | | •Camshaft | | |
| 2 | VOE950588 | 1 | | | | | | | •Pin | | |
| 3 | | 7 | | | | | | | Bearing bushing | | See ref 212/150 |
| 4 | VOE465789 | 1 | | | | | | | Flange | | |
| 5 | VOE471509 | 2 | | | | | | | Screw | | |
| 6 | VOE478297 | 1 | | | | | | | Gear | | |
| 7 | VOE471555 | 3 | | | | | | | Screw | | |
| 8 | | 12 | | | | | | | Tappet | | See ref 214/100 |

| | | | |
|---------------------------|--|----------------------------------|---|
| Date: 2014/1/27 | Image id: EC131 | Catalogue: 97810 | Model: L70D |
| Brand: Volvo | Serial: 17002-19997, 70301-70830 | Group/Section: 216/100 | Title: Crankshaft and related parts |



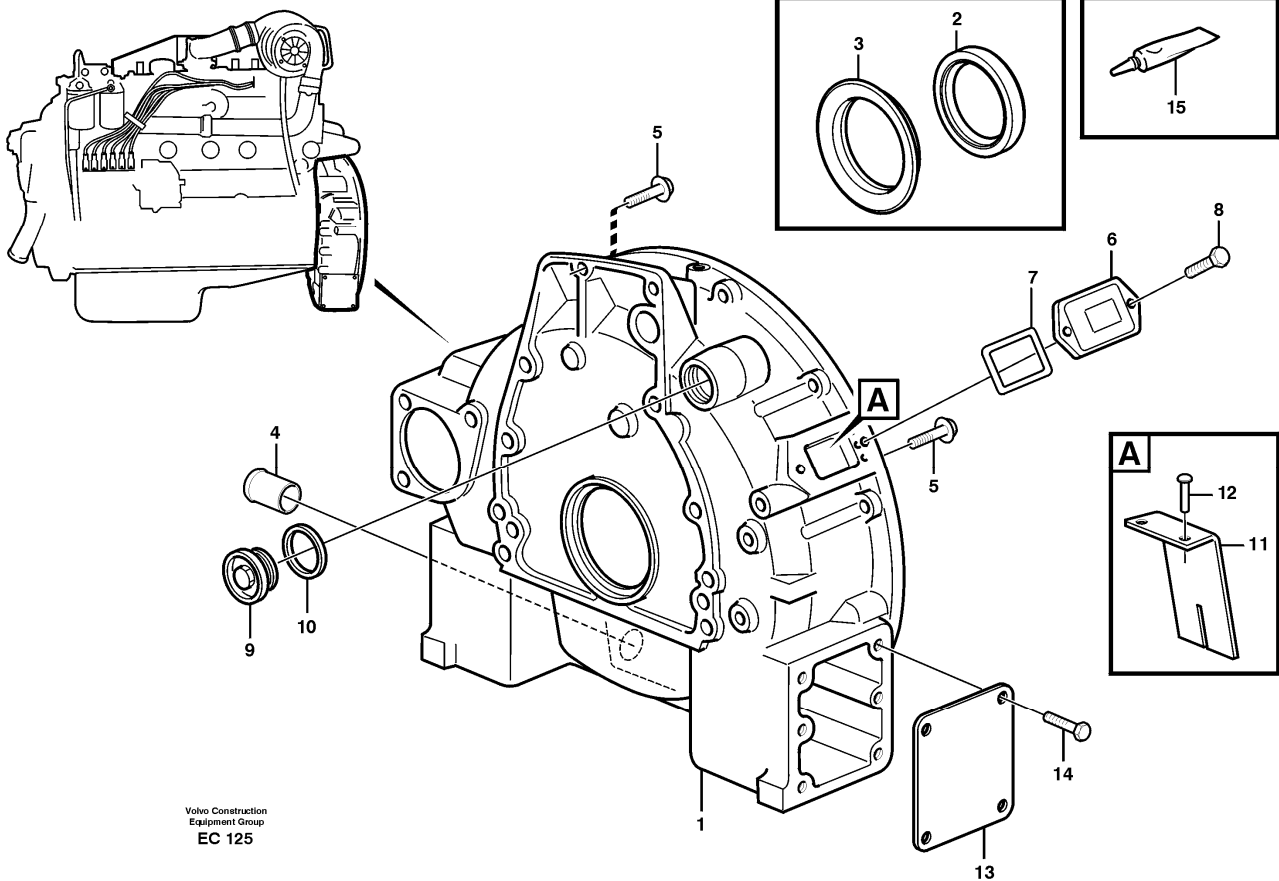
Volvo Construction
Equipment Group
EC 131

| Q1-Q5 | Option | Option description | |
|----------|----------|-----------------------------------|--|
| Q1 STD | | | |
| Q2 80510 | VOE80510 | Noise reduction kit, Eu 2002/2006 | |

| Pos | Part | Q1 | Q2 | Q3 | Q4 | Q5 | PS | Kit | Description | Option(s) | Remark |
|-----|------------|----|----|----|----|----|----|-----|----------------|-----------|-----------------|
| 1 | | 6 | 6 | | | | | | Piston | | See ref 213/100 |
| | VOE3092237 | 6 | 6 | | | | | | Connecting Rod | | |

| | | | | | | | | | | | |
|----|-------------|----|----|--|--|--|----|--|-----------------|--|---------------|
| 2 | | 6 | 6 | | | | NS | | •Connecting rod | | |
| 3 | VOE8192121 | 6 | 6 | | | | | | •Bushing | | |
| 4 | VOE465815 | 12 | 12 | | | | | | •Screw | | |
| 5 | VOE270139 | 6 | 6 | | | | | | Piston Bearing | | STD |
| | VOE270140 | 6 | 6 | | | | | | Big End Brg Kit | | 0,25 MM U SZ |
| | VOE270141 | 6 | 6 | | | | | | Big End Brg Kit | | 0,50 MM U SZ |
| | VOE270142 | 6 | 6 | | | | | | Big End Brg Kit | | 0,75 MM U SZ |
| 6 | VOE8192122 | 1 | 1 | | | | SS | | Crankshaft | | |
| 7 | VOE422253 | 1 | 1 | | | | | | •Key | | |
| 8 | VOE950677 | 1 | 1 | | | | | | •Pin | | |
| 9 | VOE271230 | 7 | 7 | | | | | | Mn Bearing Kit | | STD |
| | VOE271231 | 7 | 7 | | | | | | Mn Bearing Kit | | 0,254 MM U SZ |
| | VOE271232 | 7 | 7 | | | | | | Mn Bearing Kit | | 0,508 MM U SZ |
| | VOE271233 | 7 | 7 | | | | | | Mn Bearing Kit | | 0,762 MM U SZ |
| | VOE271234 | 7 | 7 | | | | | | Mn Bearing Kit | | 1,016 MM U SZ |
| 10 | VOE276751 | 1 | 1 | | | | | | Thr Washer Kit | | STD SZ |
| | VOE276752 | 1 | 1 | | | | | | Thrust Washer | | 0,10 MM O SZ |
| | VOE276753 | 1 | 1 | | | | | | Thrust Washer | | 0,20 MM O SZ |
| 11 | VOE471528 | 1 | 1 | | | | | | Gear | | |
| 12 | VOE465779 | 1 | 1 | | | | | | Hub | | |
| 13 | VOE420124 | 1 | 1 | | | | | | Washer | | |
| 14 | VOE1543035 | 1 | 1 | | | | | | Screw | | |
| 15 | VOE421515 | 1 | 1 | | | | | | Vib Damper | | |
| 16 | VOE467834 | 1 | 1 | | | | | | Sign | | |
| 17 | VOE4772218 | 1 | | | | | | | Hub | | |
| 18 | VOE4772247 | 8 | | | | | | | Screw | | |
| 19 | VOE4772217 | 1 | | | | | | | Strap | | |
| 20 | VOE11030942 | 1 | | | | | | | Strap | | |
| | VOE11032882 | | 1 | | | | | | Strap | | |
| 21 | VOE13965187 | 4 | | | | | | | Flange screw | | |
| | VOE471529 | | 8 | | | | | | Screw | | |
| 22 | VOE11030936 | 1 | 1 | | | | | | Flywheel | | |
| 23 | VOE420314 | 1 | 1 | | | | | | •Gear Ring | | |
| 24 | VOE786589 | 1 | 1 | | | | | | Deflector | | |
| 25 | VOE905654 | 4 | 4 | | | | | | Drive Screw | | |
| 26 | VOE978899 | 9 | 9 | | | | | | Hexagon screw | | |
| 27 | VOE467773 | 9 | 9 | | | | | | Washer | | |

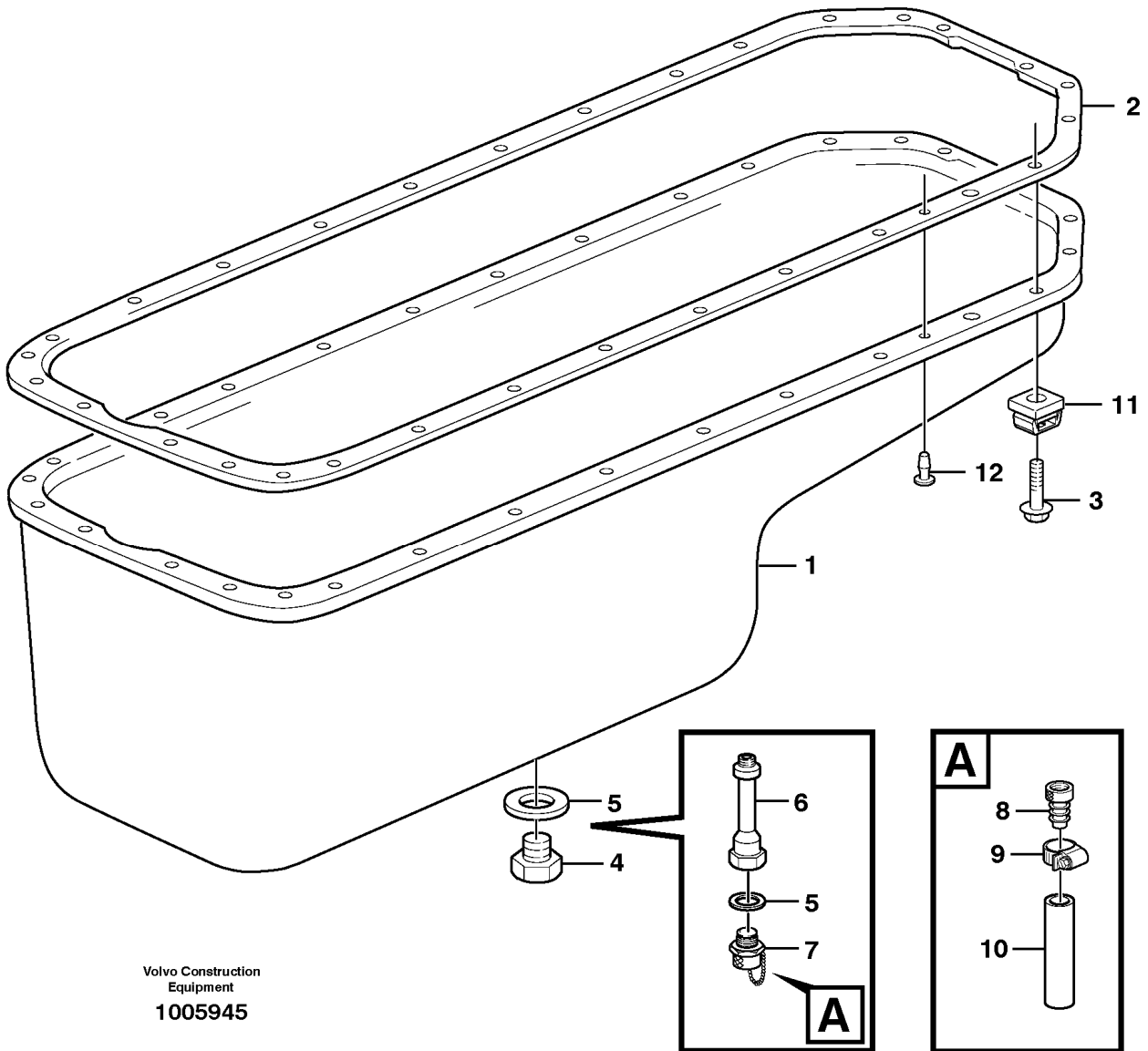
| | | | |
|---------------------------|--|----------------------------------|-----------------------------------|
| Date: 2014/1/27 | Image id: EC125 | Catalogue: 97810 | Model: L70D |
| Brand: Volvo | Serial: 17002-19997, 70301-70830 | Group/Section: 216/150 | Title: Flywheel housing |



| Pos | Part | Q1 | Q2 | Q3 | Q4 | Q5 | PS | Kit | Description | Option(s) | Remark |
|-----|-------------|----|----|----|----|----|----|-----|------------------|-----------|------------|
| 1 | VOE11030715 | 1 | | | | | | | Flywheel Hsg | | |
| 2 | VOE477119 | 1 | | | | | | | •Crankshaft Seal | | |
| 3 | VOE4770016 | 1 | | | | | | | •Oil Catcher | | |
| 4 | VOE739393 | 1 | | | | | | | •Pipe | | |
| 5 | VOE13966361 | 2 | | | | | | | Flange screw | | L = 55 MM |
| | VOE13966363 | 2 | | | | | | | Flange screw | | L = 65 MM |
| | VOE13966365 | 3 | | | | | | | Flange screw | | L = 80 MM |
| | VOE13966367 | 1 | | | | | | | Flange screw | | L = 100 MM |
| | VOE13966371 | 1 | | | | | | | Flange screw | | L = 140 MM |
| | VOE979659 | 1 | | | | | | | Flange screw | | L = 160 MM |
| 6 | VOE4772168 | 1 | | | | | | | Cap | | |
| 7 | VOE4804167 | 1 | | | | | | | Gasket | | |
| 8 | VOE13946544 | 2 | | | | | | | Flange screw | | |

| | | | | | | | | | | | |
|----|-------------|-----|--|--|--|--|--|--|-------------------|--|---------|
| 9 | VOE467367 | 1 | | | | | | | Plug | | |
| 10 | VOE1556907 | 1 | | | | | | | Gasket | | |
| 11 | VOE4771328 | 1 | | | | | | | Setting Indicator | | |
| 12 | VOE905654 | 2 | | | | | | | Drive Screw | | |
| 13 | VOE11030887 | 2 | | | | | | | Cap | | |
| 14 | VOE13946817 | 8 | | | | | | | Screw | | |
| 15 | VOE1161277 | REQ | | | | | | | Sealant | | 20 GRAM |

| | | | |
|---------------------------|--|----------------------------------|---------------------------|
| Date: 2014/1/27 | Image id: 1005945 | Catalogue: 97810 | Model: L70D |
| Brand: Volvo | Serial: 17002-19997, 70301-70830 | Group/Section: 217/100 | Title: Oil sump |



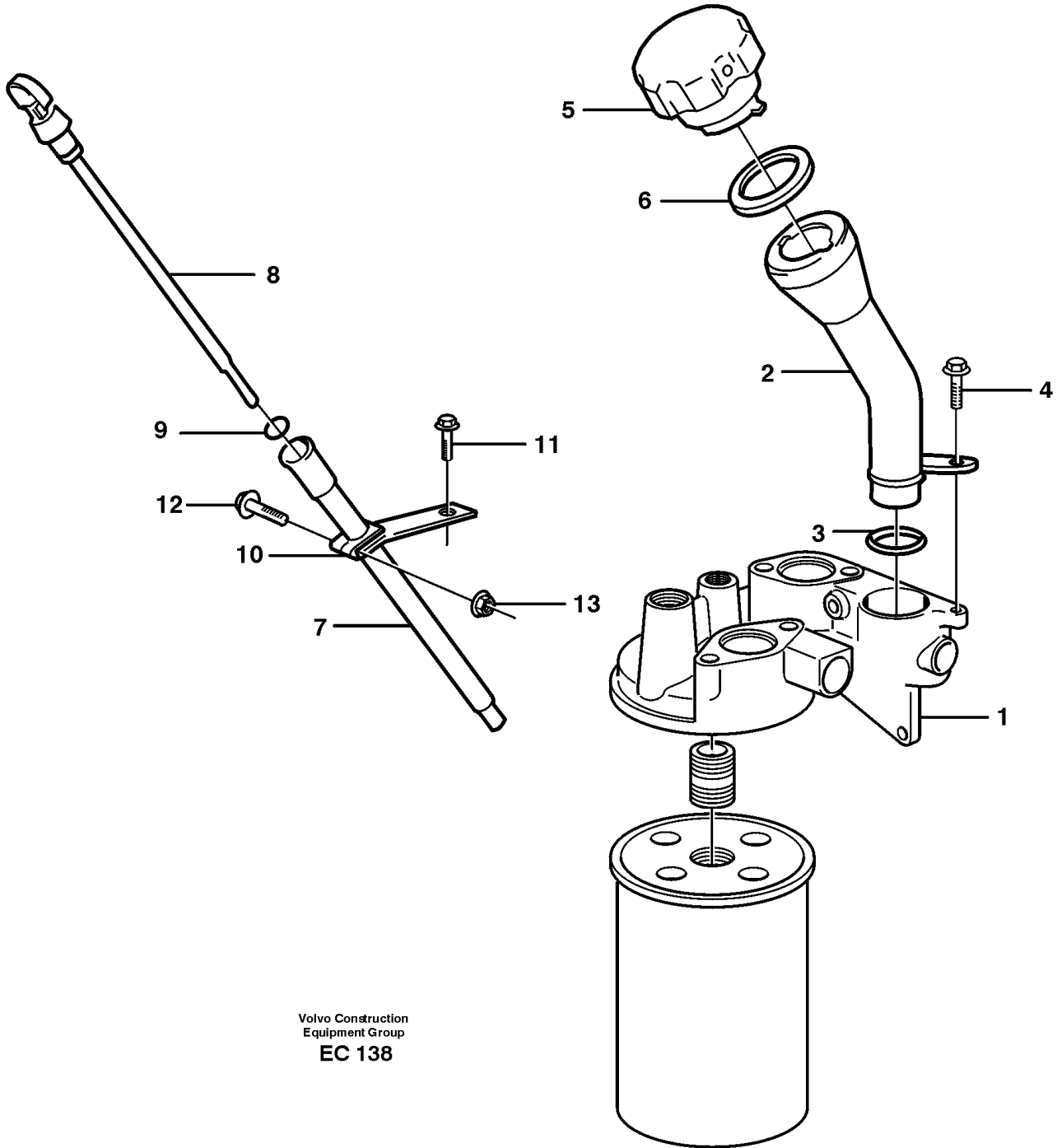
| Section option | Kit | Option description |
|----------------|-----|--|
| VOE93661 | | Noise reduction kit 'BLAUER ENGEL' 101 DB(A) |

| Q1-Q5 | Option | Option description |
|----------|----------|--|
| Q1 STD | | |
| Q2 93661 | VOE93661 | Noise reduction kit 'BLAUER ENGEL' 101 DB(A) |

| Pos | Part | Q1 | Q2 | Q3 | Q4 | Q5 | PS | Kit | Description | Option(s) | Remark |
|-----|------|----|----|----|----|----|----|-----|-------------|-----------|--------|
|-----|------|----|----|----|----|----|----|-----|-------------|-----------|--------|

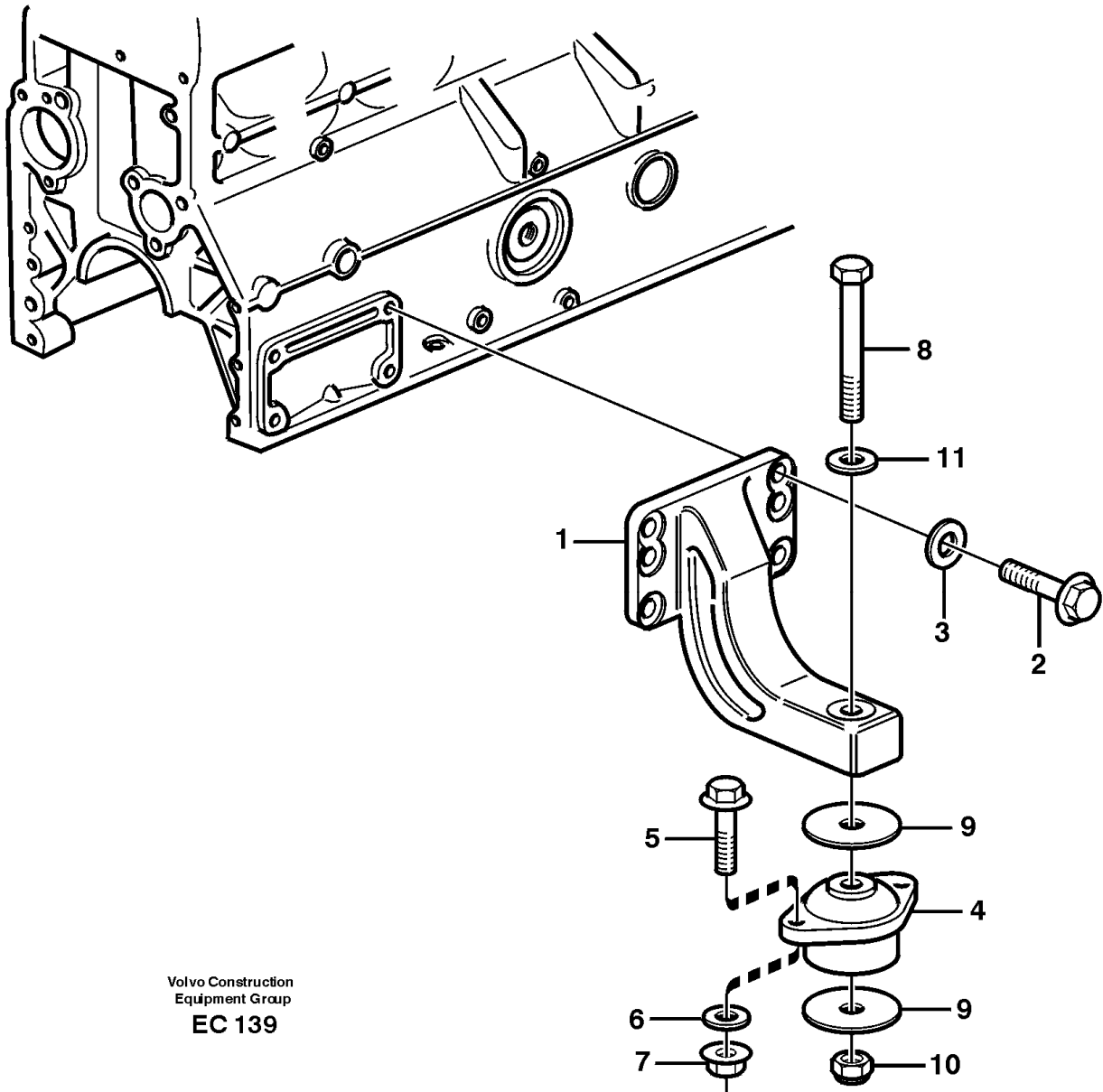
| | | | | | | | | | | | |
|----|-------------|----|----|--|--|--|--|--|----------------|--|-----------|
| 1 | VOE11162235 | 1 | | | | | | | Oil Pan | | |
| | VOE11162236 | | 1 | | | | | | Oil Pan | | |
| 2 | VOE11030778 | 1 | | | | | | | Gasket | | |
| | VOE420941 | | 1 | | | | | | Gasket | | |
| 3 | VOE946440 | 34 | | | | | | | Flange screw | | |
| | VOE1556083 | | 34 | | | | | | Flange screw | | |
| 4 | VOE13960635 | 1 | | | | | | | Plug | | |
| 5 | VOE949329 | 1 | 2 | | | | | | Gasket | | |
| 6 | VOE11147378 | | 1 | | | | | | Nipple | | |
| 7 | VOE11054692 | | 1 | | | | | | Valve | | |
| 8 | VOE11054659 | | 1 | | | | | | Connector | | |
| 9 | VOE943473 | | 1 | | | | | | Hose Clamp | | |
| 10 | VOE11027418 | | 1 | | | | | | Hose | | L = 500MM |
| 11 | VOE420991 | | 34 | | | | | | Rubber cushion | | |
| 12 | VOE13943353 | | 20 | | | | | | Rivet | | |

| | | | |
|---------------------------|--|----------------------------------|--|
| Date: 2014/1/27 | Image id: EC138 | Catalogue: 97810 | Model: L70D |
| Brand: Volvo | Serial: 17002-19997, 70301-70830 | Group/Section: 217/150 | Title: Oil filler and dipstick |



| Pos | Part | Q1 | Q2 | Q3 | Q4 | Q5 | PS | Kit | Description | Option(s) | Remark |
|-----|------|----|----|----|----|----|----|-----|--------------------|-----------|-----------------|
| 1 | | 1 | | | | | | | Oil filter housing | | See ref 222/100 |

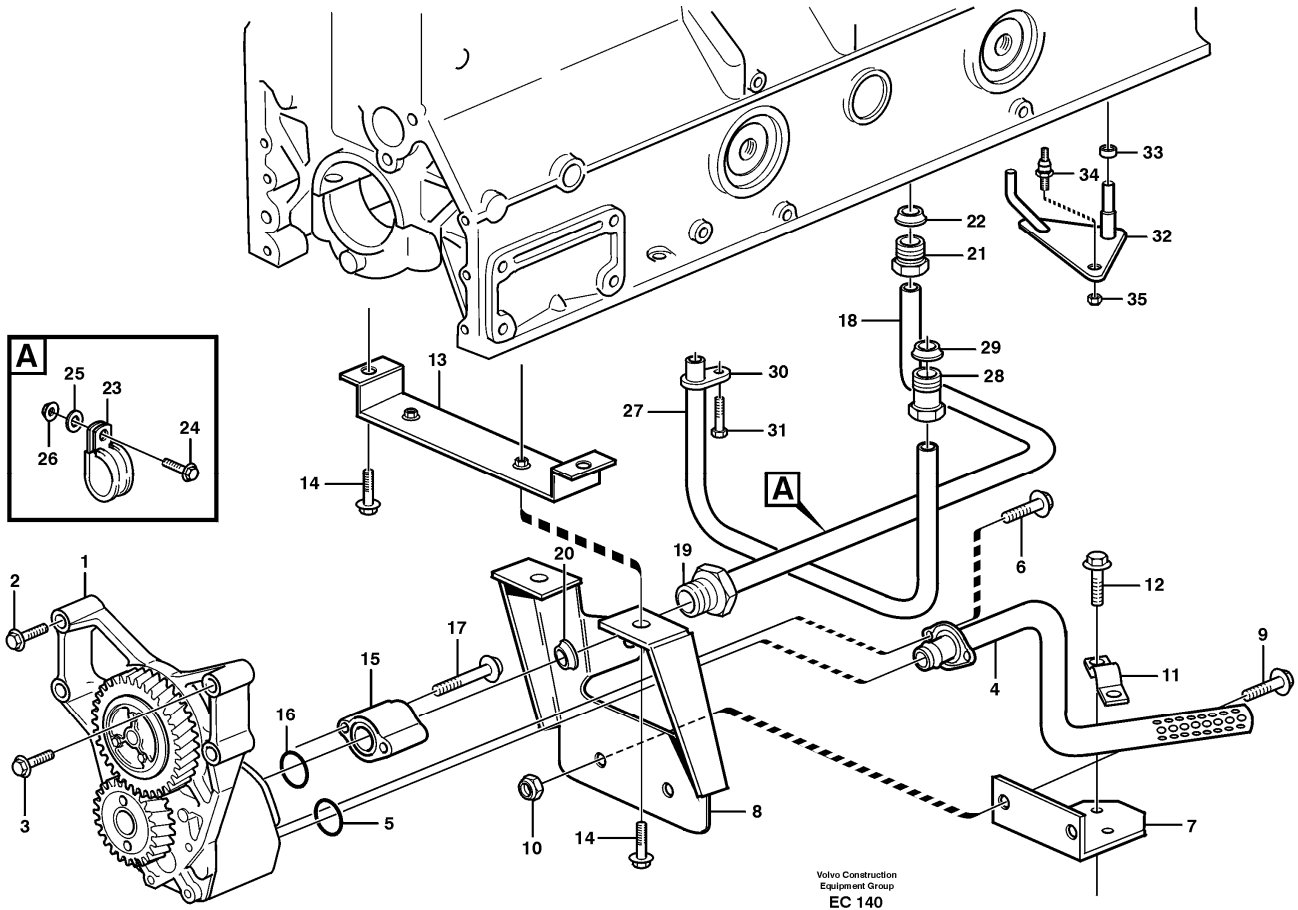
| | | | |
|---------------------------|--|----------------------------------|----------------------------------|
| Date: 2014/1/27 | Image id: EC139 | Catalogue: 97810 | Model: L70D |
| Brand: Volvo | Serial: 17002-19997, 70301-70830 | Group/Section: 218/100 | Title: Engine mounting |



| Q1-Q5 | Option | Option description | |
|----------------------|--------|--------------------|--|
| Q1 SER NO - 17892 | | | |
| Q2 SER NO 17893 - | | | |

| Pos | Part | Q1 | Q2 | Q3 | Q4 | Q5 | PS | Kit | Description | Option(s) | Remark |
|-----|-------------|----|----|----|----|----|----|-----|------------------|-----------|--------|
| 1 | VOE4856778 | 2 | 2 | | | | | | Engine anchorage | | |
| 2 | VOE13965227 | 8 | 8 | | | | | | Screw | | |
| 3 | VOE13955897 | 8 | 8 | | | | | | Washer | | |
| 4 | VOE342812 | 2 | | | | | | | Rubber cushion | | |
| | VOE11174162 | | 2 | | | | | | Rubber cushion | | |
| 5 | VOE13965185 | 4 | 4 | | | | | | Screw | | |
| 6 | VOE13960143 | 4 | 4 | | | | | | Washer | | |
| 7 | VOE13971098 | 4 | 4 | | | | | | Flange nut | | |
| 8 | VOE13955378 | 2 | | | | | | | Screw | | |
| | VOE968595 | | 2 | | | | | | Flange screw | | |
| 9 | VOE11015657 | 4 | | | | | | | Washer | | |
| | VOE11147828 | | 4 | | | | | | Washer | | |
| 10 | VOE13967934 | 2 | 2 | | | | | | Flange lock nut | | |
| 11 | VOE13955900 | 2 | | | | | | | Washer | | |

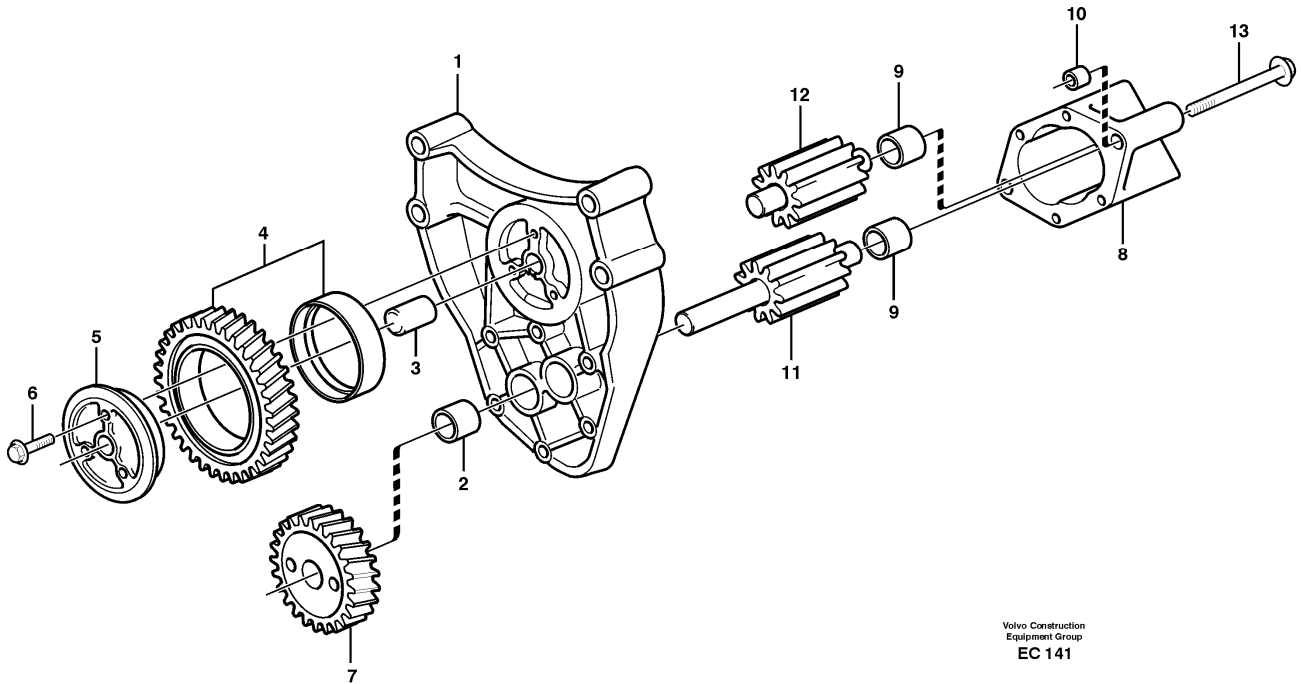
| | | | |
|---------------------------|--|----------------------------------|---|
| Date: 2014/1/27 | Image id: EC140 | Catalogue: 97810 | Model: L70D |
| Brand: Volvo | Serial: 17002-19997, 70301-70830 | Group/Section: 221/100 | Title: Lubricating oil system |



| Pos | Part | Q1 | Q2 | Q3 | Q4 | Q5 | PS | Kit | Description | Option(s) | Remark |
|-----|-------------|----|----|----|----|----|----|-----|--------------|-----------|-----------------|
| 1 | | 1 | | | | | | | Oil pump | | See ref 221/150 |
| 2 | VOE471513 | 4 | | | | | | | Screw | | M10x70MM |
| 3 | VOE471734 | 2 | | | | | | | Screw | | M8x70MM |
| 4 | VOE11030734 | 1 | | | | | | | Suction pipe | | |
| 5 | VOE470383 | 1 | | | | | | | Sealing ring | | |
| 6 | VOE13965183 | 2 | | | | | | | Flange screw | | |
| 7 | VOE11030720 | 1 | | | | | | | Bracket | | |
| 8 | VOE11032801 | 1 | | | | | | | Baffle plate | | |
| 9 | VOE946440 | 2 | | | | | | | Flange screw | | |
| 10 | VOE946036 | 2 | | | | | | | Lock nut | | |
| 11 | VOE11030722 | 1 | | | | | | | Clamp | | |
| 12 | VOE13946544 | 2 | | | | | | | Screw | | |
| 13 | VOE11030718 | 1 | | | | | | | Bracket | | |

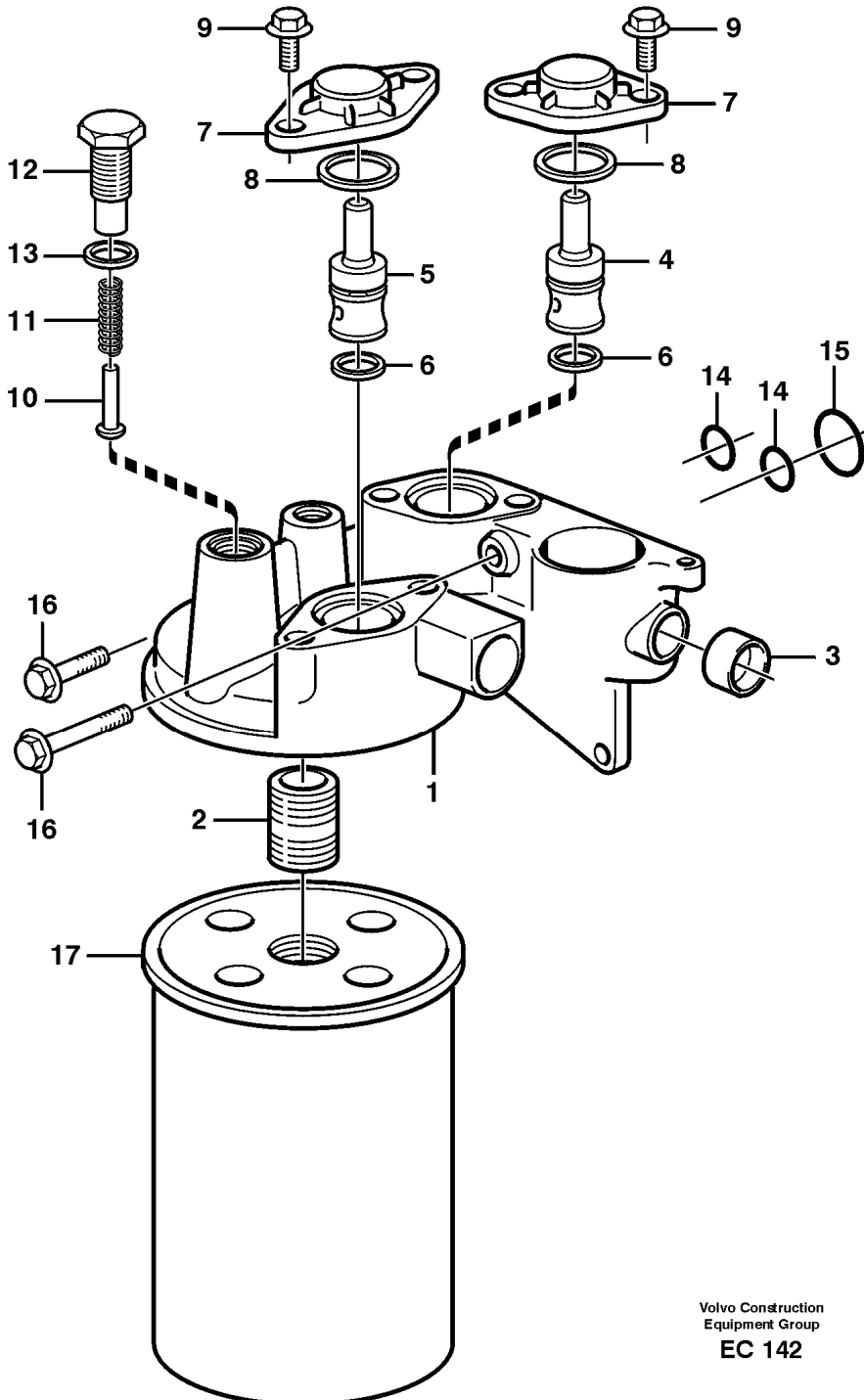
| | | | | | | | | | | | |
|----|-------------|---|--|--|--|--|----|--|----------------|--|--|
| 14 | VOE946440 | 4 | | | | | | | Flange screw | | |
| 15 | VOE465846 | 1 | | | | | | | Sleeve | | |
| 16 | VOE470383 | 1 | | | | | | | Sealing ring | | |
| 17 | VOE968553 | 2 | | | | | | | Flange screw | | |
| | VOE420994 | 1 | | | | | | | Oil feed pipe | | |
| 18 | | 1 | | | | | NS | | •Tube assembly | | |
| 19 | VOE471595 | 1 | | | | | | | •Connector | | |
| 20 | VOE980786 | 1 | | | | | | | •Fitting | | |
| 21 | VOE471588 | 1 | | | | | | | Connector | | |
| 22 | VOE980786 | 1 | | | | | | | Fitting | | |
| 23 | VOE1545433 | 1 | | | | | | | Clamp | | |
| 24 | VOE946440 | 1 | | | | | | | Flange screw | | |
| 25 | VOE13955894 | 1 | | | | | | | Washer | | |
| 26 | VOE13945408 | 1 | | | | | | | Nut | | |
| | VOE420996 | 1 | | | | | | | Oil feed pipe | | |
| 27 | VOE420996 | 1 | | | | | | | •Oil feed pipe | | |
| 28 | VOE471595 | 1 | | | | | | | •Connector | | |
| 29 | VOE980786 | 1 | | | | | | | •Fitting | | |
| 30 | VOE471746 | 1 | | | | | | | •Clamp | | |
| 31 | VOE946440 | 1 | | | | | | | Flange screw | | |
| 32 | VOE477437 | 6 | | | | | | | Nozzle | | |
| 33 | VOE466874 | 6 | | | | | | | Sealing ring | | |
| 34 | VOE471596 | 6 | | | | | | | Stud | | |
| 35 | VOE13948570 | 6 | | | | | | | Lock nut | | |

| | | | |
|---------------------------|--|----------------------------------|---------------------------|
| Date: 2014/1/27 | Image id: EC141 | Catalogue: 97810 | Model: L70D |
| Brand: Volvo | Serial: 17002-19997, 70301-70830 | Group/Section: 221/150 | Title: Oil pump |



| Pos | Part | Q1 | Q2 | Q3 | Q4 | Q5 | PS | Kit | Description | Option(s) | Remark |
|-----|-------------|----|----|----|----|----|----|-----|-------------------|-----------|--------|
| | VOE477547 | 1 | | | | | | | Oil pump | | |
| 1 | VOE471571 | 1 | | | | | | | •Bracket | | |
| 2 | VOE470347 | 2 | | | | | | K | ••Bushing | | |
| 3 | VOE191171 | 1 | | | | | | | ••Pin | | |
| 4 | VOE471942 | 1 | | | | | | | •Drive Gear | | |
| | VOE471943 | 1 | | | | | NS | | ••Idler gear | | |
| | VOE471585 | 1 | | | | | NS | | ••Bearing ring | | |
| 5 | VOE420048 | 1 | | | | | | | •Bearing sleeve | | |
| 6 | VOE471586 | 1 | | | | | | | •Screw | | |
| 7 | VOE471941 | 1 | | | | | | | •Drive Gear | | |
| 8 | VOE471727 | 1 | | | | | NS | | •Oil pump housing | | |
| 9 | VOE470347 | 2 | | | | | | K | ••Bushing | | |
| 10 | VOE401146 | 2 | | | | | | | ••Guide sleeve | | |
| 11 | VOE477548 | 1 | | | | | NS | K | •Drive shaft | | |
| 12 | VOE477549 | 1 | | | | | NS | K | •Idler shaft | | |
| 13 | VOE13965218 | 2 | | | | | | | •Screw | | |
| | VOE276152 | 1 | | | | | | | Repair kit | | |

| | | | |
|---------------------------|--|----------------------------------|-----------------------------|
| Date: 2014/1/27 | Image id: EC142 | Catalogue: 97810 | Model: L70D |
| Brand: Volvo | Serial: 17002-19997, 70301-70830 | Group/Section: 222/100 | Title: Oil filter |

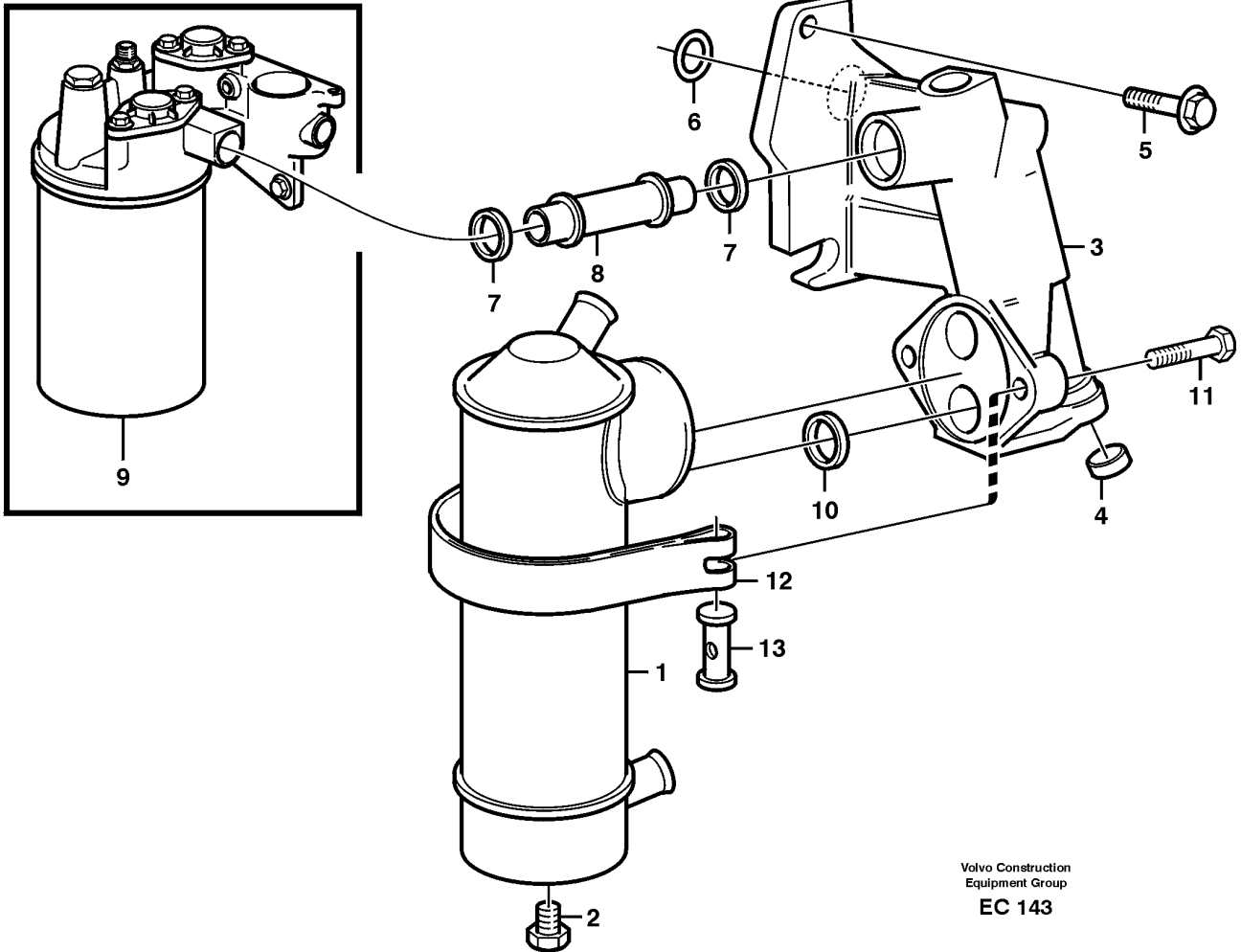


Volvo Construction
Equipment Group
EC 142

| Pos | Part | Q1 | Q2 | Q3 | Q4 | Q5 | PS | Kit | Description | Option(s) | Remark |
|-----|------|----|----|----|----|----|----|-----|-------------|-----------|--------|
|-----|------|----|----|----|----|----|----|-----|-------------|-----------|--------|

| | | | | | | | | | | | |
|----|-------------|---|--|--|--|--|----|--|----------------------|--|------------------|
| | VOE420928 | 1 | | | | | | | Oil filter housing | | |
| 1 | VOE421637 | 1 | | | | | NS | | •Oil filter housing | | |
| 2 | VOE466623 | 1 | | | | | | | ••Nipple | | |
| 3 | VOE13948811 | 1 | | | | | | | ••Cap plug | | |
| 4 | VOE471812 | 1 | | | | | | | •Valve | | BL |
| | VOE466445 | 1 | | | | | | | ••Compression spring | | |
| 5 | VOE471640 | 1 | | | | | | | •Reduction valve | | RED |
| 6 | VOE469846 | 2 | | | | | | | •Sealing ring | | |
| 7 | VOE471648 | 2 | | | | | | | •Cover | | |
| 8 | VOE949659 | 2 | | | | | | | •O-ring | | |
| 9 | VOE13946544 | 4 | | | | | | | •Screw | | |
| 10 | VOE471085 | 1 | | | | | | | •Valve cone | | |
| 11 | VOE466653 | 1 | | | | | | | •Compression spring | | |
| 12 | VOE471598 | 1 | | | | | | | •Plug | | |
| 13 | VOE13947627 | 1 | | | | | | | •Plane gasket | | |
| 14 | VOE13949656 | 2 | | | | | | | O-ring | | OD = 19,2 MM |
| 15 | VOE13949722 | 1 | | | | | | | O-ring | | OD = 36,2 MM |
| 16 | VOE946329 | 2 | | | | | | | Flange screw | | L = 25 MM |
| | VOE13965222 | 1 | | | | | | | Screw | | L = 65 MM |
| 17 | VOE466634 | 1 | | | | | | | Oil filter | | |
| | VOE478736 | 1 | | | | | | | Oil Filter | | Long life filter |

| | | | |
|---------------------------|--|----------------------------------|-----------------------------|
| Date: 2014/1/27 | Image id: EC143 | Catalogue: 97810 | Model: L70D |
| Brand: Volvo | Serial: 17002-19997, 70301-70830 | Group/Section: 223/100 | Title: Oil cooler |



Volvo Construction
Equipment Group
EC 143

| Pos | Part | Q1 | Q2 | Q3 | Q4 | Q5 | PS | Kit | Description | Option(s) | Remark |
|-----|-------------|----|----|----|----|----|----|-----|--------------|-----------|------------------|
| 1 | VOE465854 | 1 | | | | | | | Oil Cooler | | |
| 2 | VOE180759 | 1 | | | | | | | •Plugg | | |
| 3 | VOE420613 | 1 | | | | | | | Housing | | |
| 4 | VOE13946779 | 1 | | | | | | | •Cap Plug | | |
| 5 | VOE946329 | 3 | | | | | | | Flange screw | | |
| 6 | VOE13949656 | 2 | | | | | | | O-ring | | |
| 7 | VOE471956 | 2 | | | | | | | Sealing ring | | |
| 8 | VOE471602 | 1 | | | | | | | Pipe | | |
| 9 | VOE466634 | 1 | | | | | | | Oil Filter | | See ref 222/100 |
| | VOE478736 | 1 | | | | | | | Oil Filter | | Long life filter |
| 10 | VOE469483 | 2 | | | | | | | Sealing ring | | |

Thank you so much for reading.
Please click the “Buy Now!”
button below to download the
complete manual.



After you pay.

You can download the most
perfect and complete manual in
the world immediately.

Our support email:

ebooklibonline@outlook.com