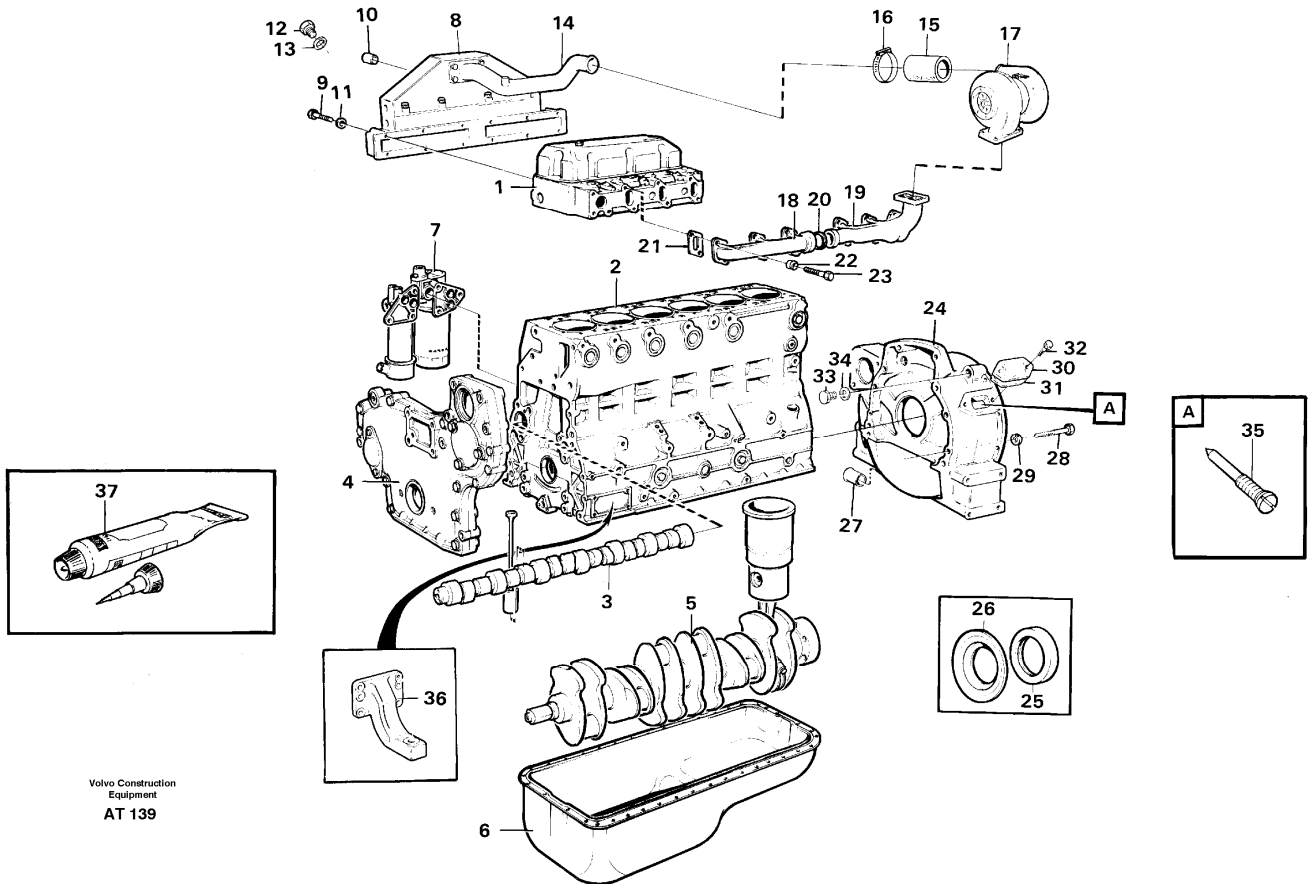


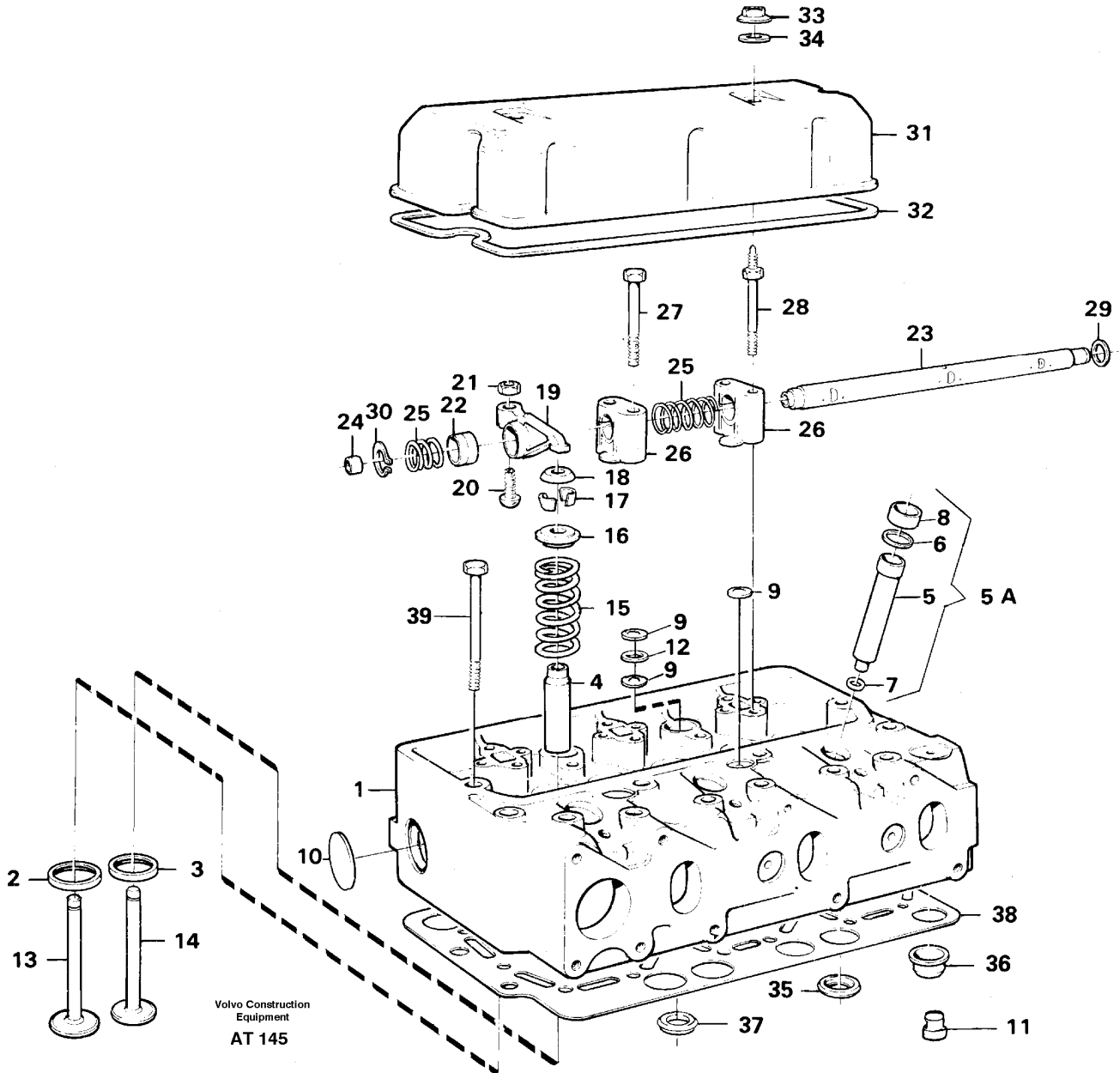
Date: 2014/2/13	Image id: AT139	Catalogue: 97785	Model: L90C OR
Brand: Volvo	Serial: 36001-36023, 70060-80000	Group/Section: 210/150	Title: Engine, assembly



Pos	Part	Q1	Q2	Q3	Q4	Q5	PS	Kit	Description	Option(s)	Remark
	VOE15003910	1							Engine		(VOE8188100)
1									Cylinder head		See ref 211/100
2									Cylinder block		See ref 212/100
3									Camshaft		See ref 215/100
4									Timing gear casing		See ref 215/150
5									Crank mechanism		See ref 216/100
6									Oil sump		See ref 217/100
7									Oil filter		See ref 222/100
8									Inlet manifold		See ref 251/100
									Starter element		See ref 251/100
9	VOE13965183	8							Flange screw		M8 x 90
	VOE13955308	4							Screw		M8x110
10	VOE843075	4							Spacer sleeve		L=15 MM
11	VOE13941907	12							Washer		

12	VOE960628	1							Plug		
13	VOE13947281	1							Gasket		
14									Connecting pipe		See ref 258/100
15	VOE847385	1							Hose		
16	VOE943479	2							Hose clamp		
17									Turbocharger		See ref 255/100
18	VOE3978061	1							Exhaust pipe		(VOE465878)
19	VOE3978035	1							Exhaust pipe		(VOE465879)
20	VOE1545109	4							Sealing ring		
21	VOE420538	6							Gasket		
22	VOE420500	12							Sleeve		
23	VOE13965186	12							Screw		(VOE965186)
24	VOE11030955	1							Flywheel housing		(VOE4772142)
25	VOE477119	1							Crankshaft seal		(VOE821755)
26	VOE4772132	1							Oil Catcher		
	VOE11030955	1							Flywheel housing		
27	VOE739393	1							•Tube		
28	VOE13966361	6							Flange screw		(MI966361)M14 x 55
	VOE968753	2							Flange screw		M14 x 160
	VOE13966363	2							Flange screw		M14 x 65
29	VOE955899	10							Washer		
30	VOE4772168	1							Cover		
31	VOE4804167	1							Gasket		
32	VOE13946544	2							Screw		M6 x 16
33	VOE467367	1							Plug		
34	VOE1556907	1							Gasket		(VOE469328)
35	VOE4772141	1					SS		Setting indicator		
36									Engine anchorage		See ref 218/100
37	VOE1161277	REQ							Sealant		20G

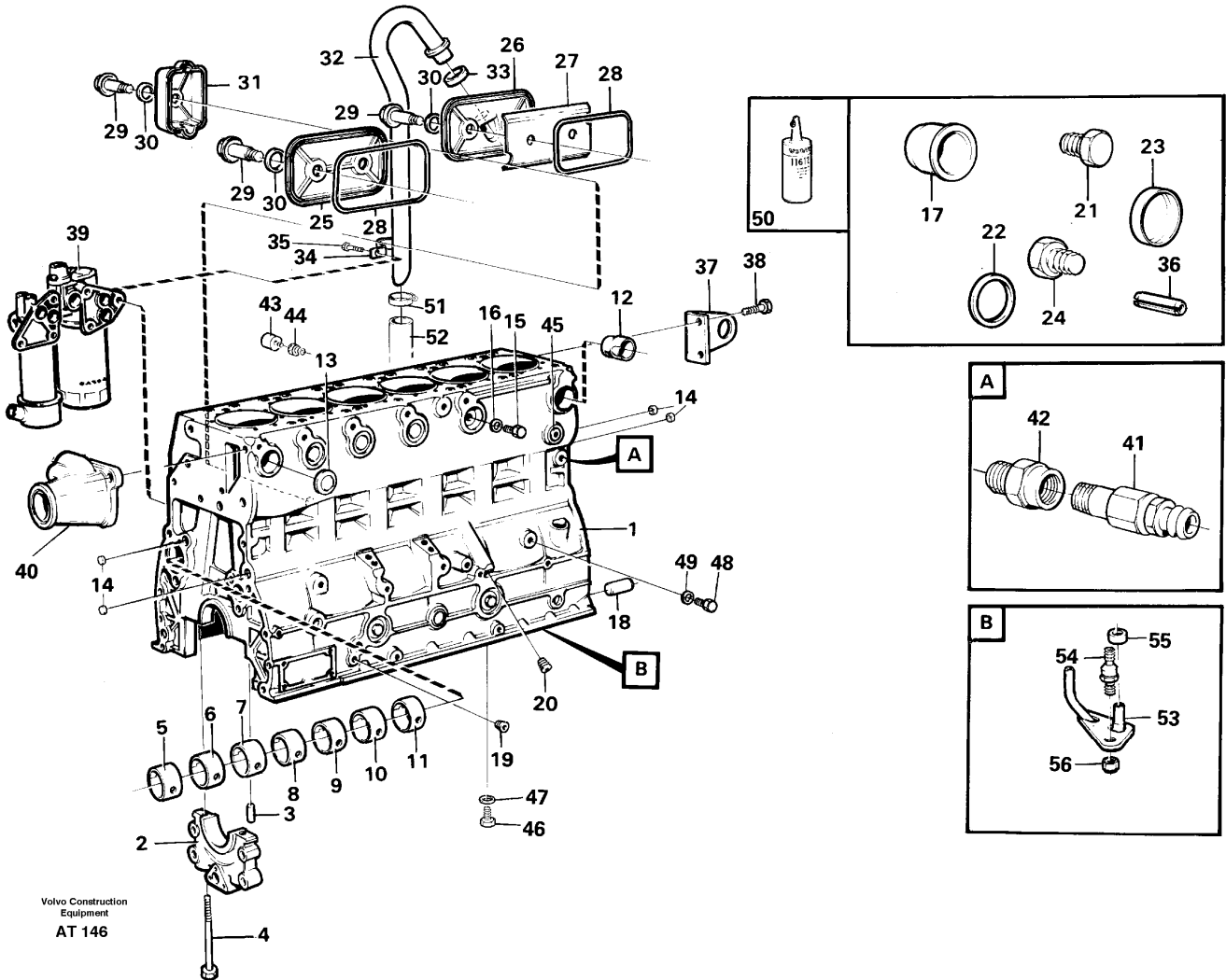
Date: 2014/2/13	Image id: AT145	Catalogue: 97785	Model: L90C OR
Brand: Volvo	Serial: 36001-36023, 70060-80000	Group/Section: 211/100	Title: Cylinder head



Pos	Part	Q1	Q2	Q3	Q4	Q5	PS	Kit	Description	Option(s)	Remark
	VOE420878	2							Cylinder head		
1		2					NS		•Cylinder head		
2	VOE420874	6							••Valve seat		STD D, INLET
	VOE420876	6							••Valve seat		0,20 O SZ
3	VOE420875	6							••Valve seat		STD D, EXHAUST
	VOE420877	6							••Valve seat		0,20 O SZ

4	VOE477792	12							••Valve guide		
5A	VOE270575	6					SS		••Repair kit		
5	VOE8192085	6							•••Sleeve		(VOE466404)
6	VOE466405	6							•••Sealing ring		
7	VOE466922	6							•••Sealing ring		
8	VOE466420	6							•••Ring		
9	VOE477026	14							••Expansion plug		
10	VOE477024	8							••Expansion plug		
11	VOE465420	4							••Nozzle		
12	VOE947626	4							••Gasket		
13	VOE420553	6					SS		•Inlet valve		
14	VOE8192143	6							•Exhaust valve		
15	VOE465233	12							•Valve spring		
16	VOE465550	12							•Washer		
17	VOE1677875	24							•Valve Collet		
18	VOE465551	12							•Protecting sleeve		
19	VOE7420129	6							Rocker arm		(VOE420129)INLET
	VOE420132	6							Rocker arm		EXHAUST
20	VOE422993	12							•Bolt		(VOE423058)
21	VOE940175	12							•Nut		
22	VOE420125	12							•Bushing		(VOE7420125)
23	VOE465790	2							Shaft		
24	VOE13955083	4							•Cap plug		(VOE955083)
25	VOE411139	4							Spring		
26	VOE1665204	6							Bearing Bracket		(VOE465793)
27	VOE471513	8							Screw		
28	VOE471512	4							Screw		
29	VOE7400722	4							Shim		(VOE400722)
30	VOE914456	4							Retaining ring		
31	VOE465951	2							Valve cover		
32	VOE465952	2							Gasket		
33	VOE465961	4							Cap nut		
34	VOE471856	4							Sealing ring		
	VOE276821	2							Gasket kit		
35	VOE465784	12							•Sealing		
36	VOE466421	16							•Sealing ring		
37	VOE422413	2							•Sealing ring		
38		2					NS		•Cylinder head gasket		
39	VOE465840	40							Screw		

Date: 2014/2/13	Image id: AT146	Catalogue: 97785	Model: L90C OR
Brand: Volvo	Serial: 36001-36023, 70060-80000	Group/Section: 212/100	Title: Cylinder block

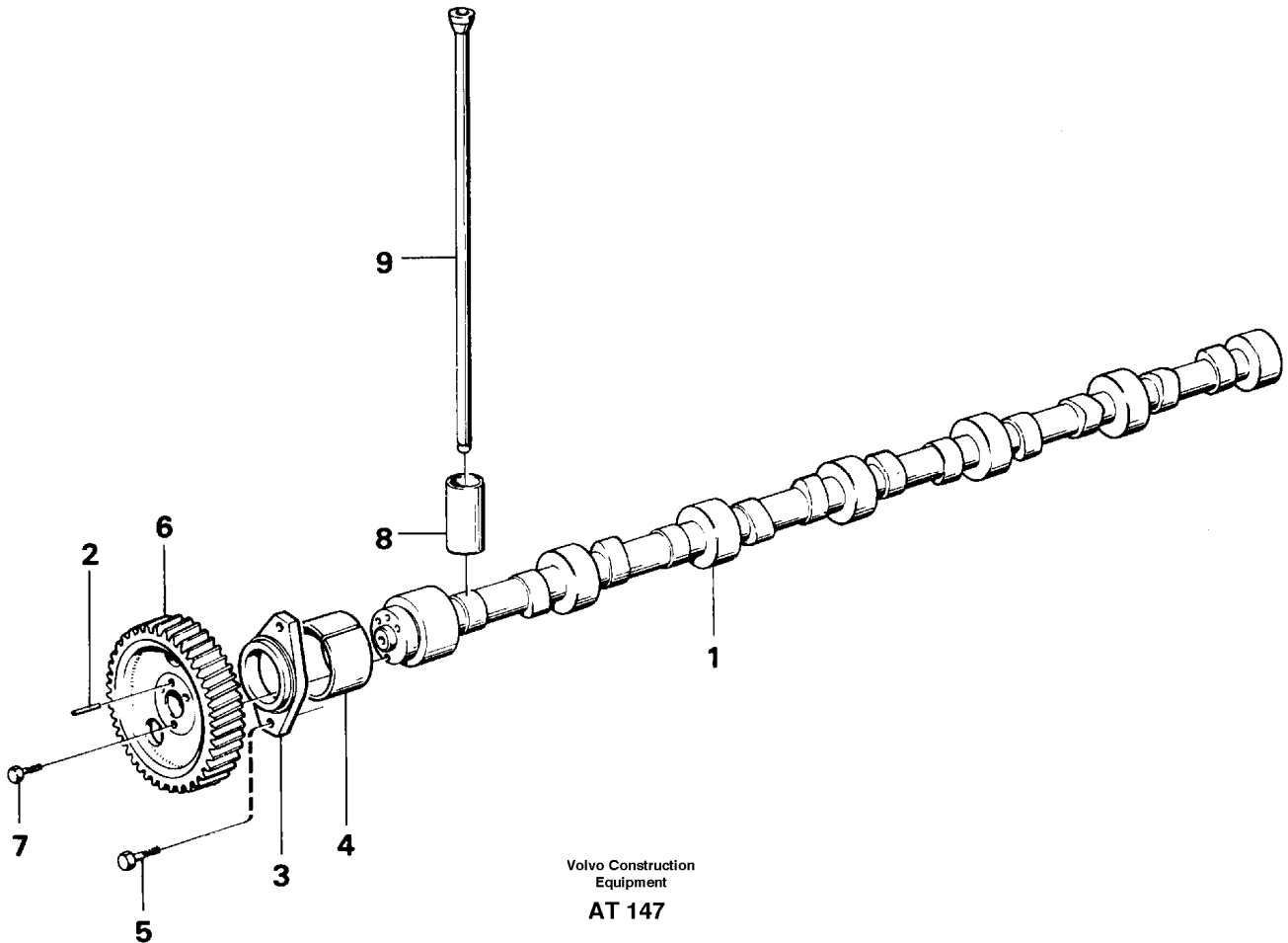


Volvo Construction
Equipment
AT 146

Pos	Part	Q1	Q2	Q3	Q4	Q5	PS	Kit	Description	Option(s)	Remark
1	VOE420990	1							Cylinder block		
2		7					NS		•Bearing carrier		
3	VOE422426	1							••Pin		
4	VOE465899	14							••Screw		
5	VOE422076	1							•Bushing		
6	VOE422077	1							•Bushing		(VOE7422077)
7	VOE422078	1							•Bushing		
8	VOE11000014	1							•Bushing		(VOE422079)
9	VOE422080	1							•Bushing		(VOE7422080)
10	VOE422081	1							•Bushing		
11	VOE422082	1							•Bushing		

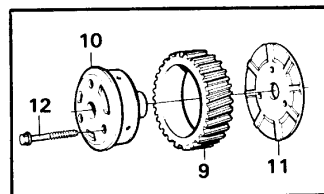
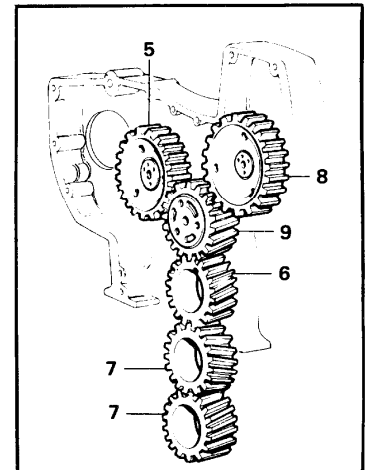
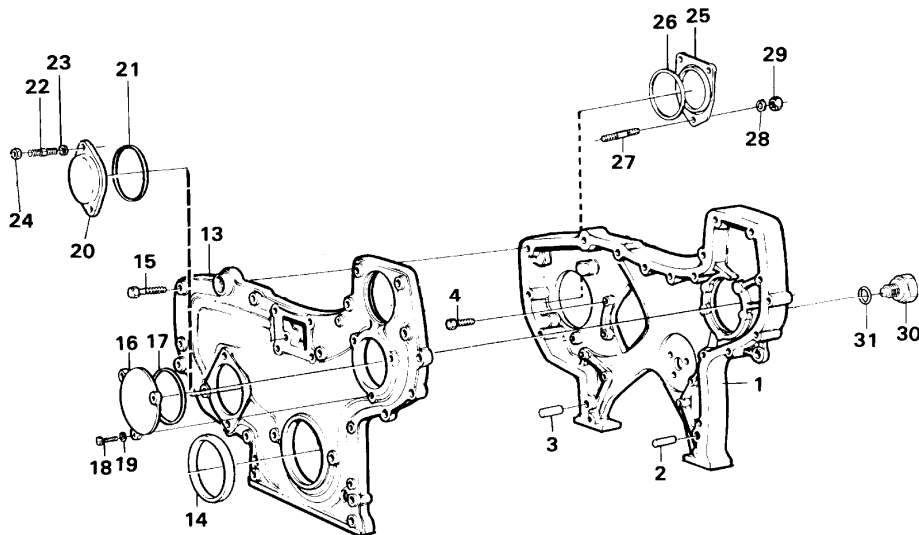
12	VOE421154	6							•Nozzle		
13	VOE13968955	4							•Expansion plug		
14	VOE955082	6							•Cap plug		
15	VOE467367	2							•Plug		(VOE467649)
16	VOE1556907	2							•Gasket		(VOE469328)
17	VOE422369	7							•Plug		
18	VOE191171	2							•Pin		(VOE191171)
19	VOE952075	2							•Plug		6,3500 MM
20	VOE968145	3							•Plug		9,5250 MM
21	VOE960630	1							Plug		M14x1,5
22	VOE13969011	1							Gasket		
23	VOE955082	1							Cap plug		
24	VOE479979	4							Plug		3,1750 MM
25	VOE420120	1							Inspection lid		
26	VOE420121	1							Hatch		
27	VOE3978045	1							Splash plate		(VOE471858)
28	VOE421121	2							Gasket		
29	VOE471855	5							Screw		
30	VOE471856	5							Sealing ring		
31	VOE471854	1							Cover		
32	VOE848497	1							Breather pipe		
33	VOE421158	1							Sealing ring		
34	VOE849059	1							Clamp		
35	VOE946440	1							Flange screw		
36	VOE951974	1							Spring pin		
37		2					NS		Lifting eye		BAK/REAR
38	VOE13965191	4							Screw		(VOE965191)M12x30
39		1							Oil filter housing		See ref 222/100
40		1							Spacer		See ref 262/100
41	VOE13947893	1							Crane		(VOE947893)
42	VOE479954	1							Nipple		(VOE7190130)
43	VOE11039249	1							Pressure monitor		SE 16
44	VOE862109	1							Nipple		
45	VOE420589	1							Expansion plug		
46	VOE966146	1					SS		Plug		
47	VOE13947629	1							Plane gasket		
48	VOE13965768	1							Plug		
49	VOE13947281	1							Gasket		
50	VOE1161277	REQ							Sealant		20G
	VOE11713514	REQ							Sealant		(VOE1161231)304ML
51	VOE943475	1							Hose clamp		
52	VOE927661	REQ							Rubber hose		L=450 MM
53	VOE477437	6							Nozzle		
54	VOE471596	6							Stud		
55	VOE466874	6							Sealing ring		
56	VOE13948570	6							Lock nut		

Date: 2014/2/13	Image id: AT147	Catalogue: 97785	Model: L90C OR
Brand: Volvo	Serial: 36001-36023, 70060-80000	Group/Section: 215/100	Title: Camshaft



Pos	Part	Q1	Q2	Q3	Q4	Q5	PS	Kit	Description	Option(s)	Remark
1	VOE465787	1							Camshaft		
		1					NS		•Camshaft		
2	VOE950588	1							•Pin		
3	VOE465789	1							Flange		
4		7							Bushing		See ref 212/100
5	VOE471509	2							Screw		
6	VOE478297	1							Gear		
7	VOE471555	3							Screw		
8	VOE421067	12							Tappet		
9	VOE420021	12							Rod		

Date: 2014/2/13	Image id: AT148	Catalogue: 97785	Model: L90C OR
Brand: Volvo	Serial: 36001-36023, 70060-80000	Group/Section: 215/150	Title: Timing gear casing

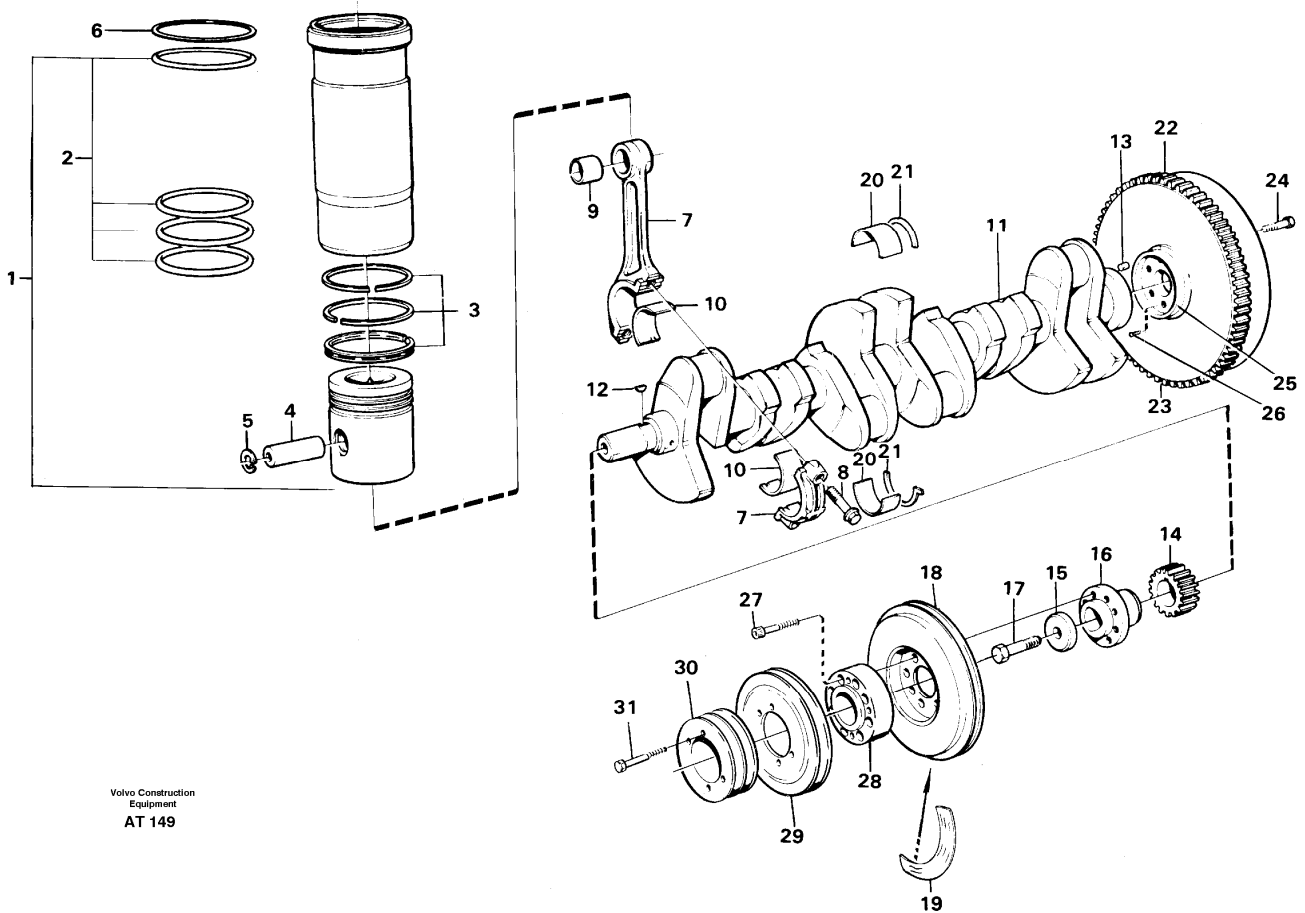


Volvo Construction
Equipment
AT 148

Pos	Part	Q1	Q2	Q3	Q4	Q5	PS	Kit	Description	Option(s)	Remark
1	VOE471505	1							Timing gear casing		
2	VOE13941510	1							Pin		(VOE941510)
3	VOE13941511	1							Pin		(VOE941511)
4	VOE471534	2							Screw		L=28MM
	VOE471535	2							Screw		L=58MM
5		1							Gear		See ref 215/100
6		1							Gear		See ref 216/100
7		2							Gear		See ref 221/150
8		1							Gear		See ref 236/100
9	VOE8192518	1							Idler gear		
		1					NS		•Bearing		
10	VOE422766	1					SS		Pin		(VOE467463)
11	VOE478951	1							Thrust washer		(VOE467529)
12	VOE471554	3							Screw		
13	VOE8192590	1							Timing gear cover		(VOE8192052)

14	VOE477118	1							•Sealing ring		
15	VOE13947760	7							Screw		(VOE947760)M8x40
	VOE13948217	2							Screw		(VOE948217)M8x45
	VOE13965216	1							Screw		(VOE965216)M8x55
	VOE13965182	6							Screw		(VOE965182)M8x80
	VOE13965183	1							Flange screw		(VOE965183)M8x90
	VOE965225	1							Flange screw		(VOE966343)M12x35
16	VOE471559	1							Cover		
17	VOE925257	1							O-ring		
18	VOE13945444	3							Screw		(VOE945444)
19	VOE13941907	3							Washer		(VOE941907)
20	VOE465735	1							Cover		
21	VOE925094	1							O-ring		
22	VOE479972	1							Stud		M10x45x30
	VOE479973	1							Stud		M10x80x65
23	VOE955895	2							Washer		
24	VOE13971095	2							Flange nut		
25	VOE420178	1							Cover		
26	VOE13975610	1							O-ring		(VOE413619)
27	VOE967951	3							Stud		
28	VOE955899	3							Washer		
29	VOE13971097	3							Flange nut		(VOE965484)
30	VOE13960632	1							Plug		(VOE960632)
31	VOE13947624	2							Plane gasket		(VOE7011998)
32	VOE1161277	1							Sealant		20G

Date: 2014/2/13	Image id: AT149	Catalogue: 97785	Model: L90C OR
Brand: Volvo	Serial: 36001-36023, 70060-80000	Group/Section: 216/100	Title: Crankshaft and related parts

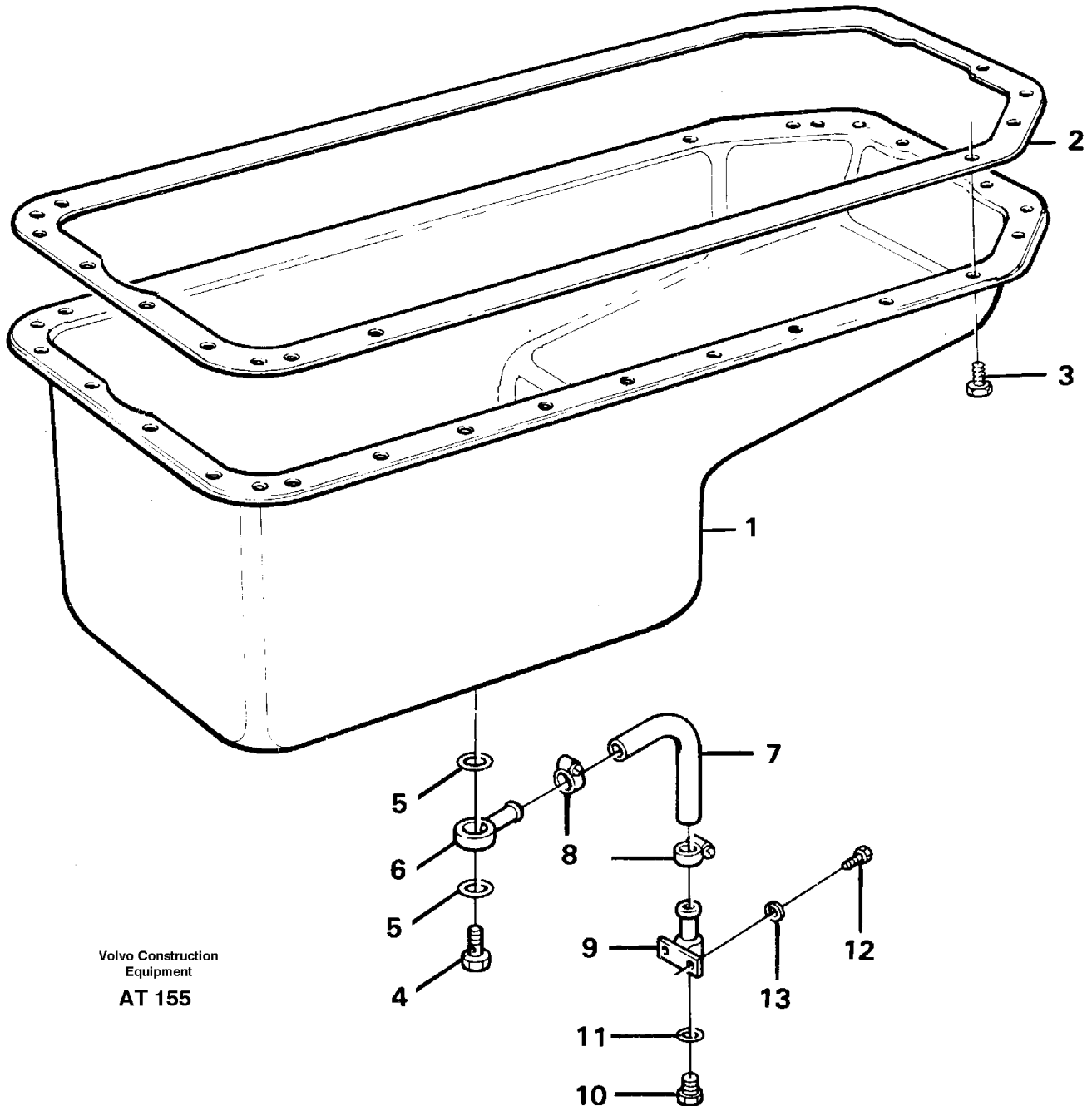


Volvo Construction
Equipment
AT 149

Pos	Part	Q1	Q2	Q3	Q4	Q5	PS	Kit	Description	Option(s)	Remark
1	VOE275648	6					SS		Cylinder liner kit		
		6					NS		•Cylinder liner		
2	VOE271161	6							•Sealing ring kit		
		6					NS		••Sealing strip		ÖVRE/UPPER
		12					NS		••Sealing strip		NEDRE/LOWER
		6					NS		••Sealing strip		NEDRE/LOWER
		6					NS		•Piston		
3	VOE276310	6							•Piston ring kit		
		6					NS		••Compression ring		ÖVRE/UPPER
		6					NS		••Compression ring		NEDRE/LOWER
		6					NS		••Oil scraper ring		
4	VOE3978023	6							•Gudgeon pin		(VOE420988)
5	VOE914523	12							•Retaining ring		
6	VOE465394	REQ							Shim		THICK = 0,20 MM

	VOE465395	REQ							Shim		THICK = 0,30 MM
	VOE465396	REQ							Shim		THICK = 0,50 MM
7	VOE3092237	6							Connecting rod		(VOE465812)
		1					NS		•Connecting rod		
		1					NS		•Bearing carrier		
8	VOE465815	12							•Screw		
9	VOE465816	6							•Bushing		ENG - 144544
9	VOE8192121	6							•Bushing		ENG 144545 -
10	VOE270139	6							Piston Bearing		STD SZ
	VOE270140	6							Big End Brg Kit		0.25 MM U SZ
	VOE270141	6							Big End Brg Kit		0.50 MM U SZ
11	VOE8192122	1					SS		Crankshaft		
12	VOE422253	1							•Key		
13	VOE950677	1							Pin		
14	VOE471528	1							Gear		
15	VOE420124	1							Washer		
16	VOE465779	1							Hub		
17	VOE470366	1							Screw		
18	VOE421515	1							Vibration damper		
19	VOE467834	1							Sign		
20	VOE271230	7							Main bearing kit		STD SZ
	VOE271231	7							Main bearing kit		0,25 MM U SZ
	VOE271232	7							Main bearing kit		0,50 MM U SZ
	VOE271233	7							Main bearing kit		0,75 MM U SZ
	VOE271234	7							Main bearing kit		1,00 MM U SZ
21	VOE276751	1							Thrust washer kit		STD SZ
	VOE276752	1							Thrust washer		(VOE276752)0,10 MM O SZ
	VOE276753	1							Thrust washer		(VOE276753)0,20 MM O SZ
22	VOE11030938	1							Flywheel		
23	VOE420314	1							•Gear ring		(VOE420067)
24	VOE471541	9							Screw		
25	VOE786589	1							Deflector		
26	VOE905654	4							Drive screw		
27	VOE4772247	8							Screw		
28	VOE4772218	1							Hub		
29	VOE4772217	1							Pulley		
30	VOE4772236	1							Pulley		
31	VOE13965187	4							Screw		

Date: 2014/2/13	Image id: AT155	Catalogue: 97785	Model: L90C OR
Brand: Volvo	Serial: 36001-36023, 70060-80000	Group/Section: 217/100	Title: Oil sump

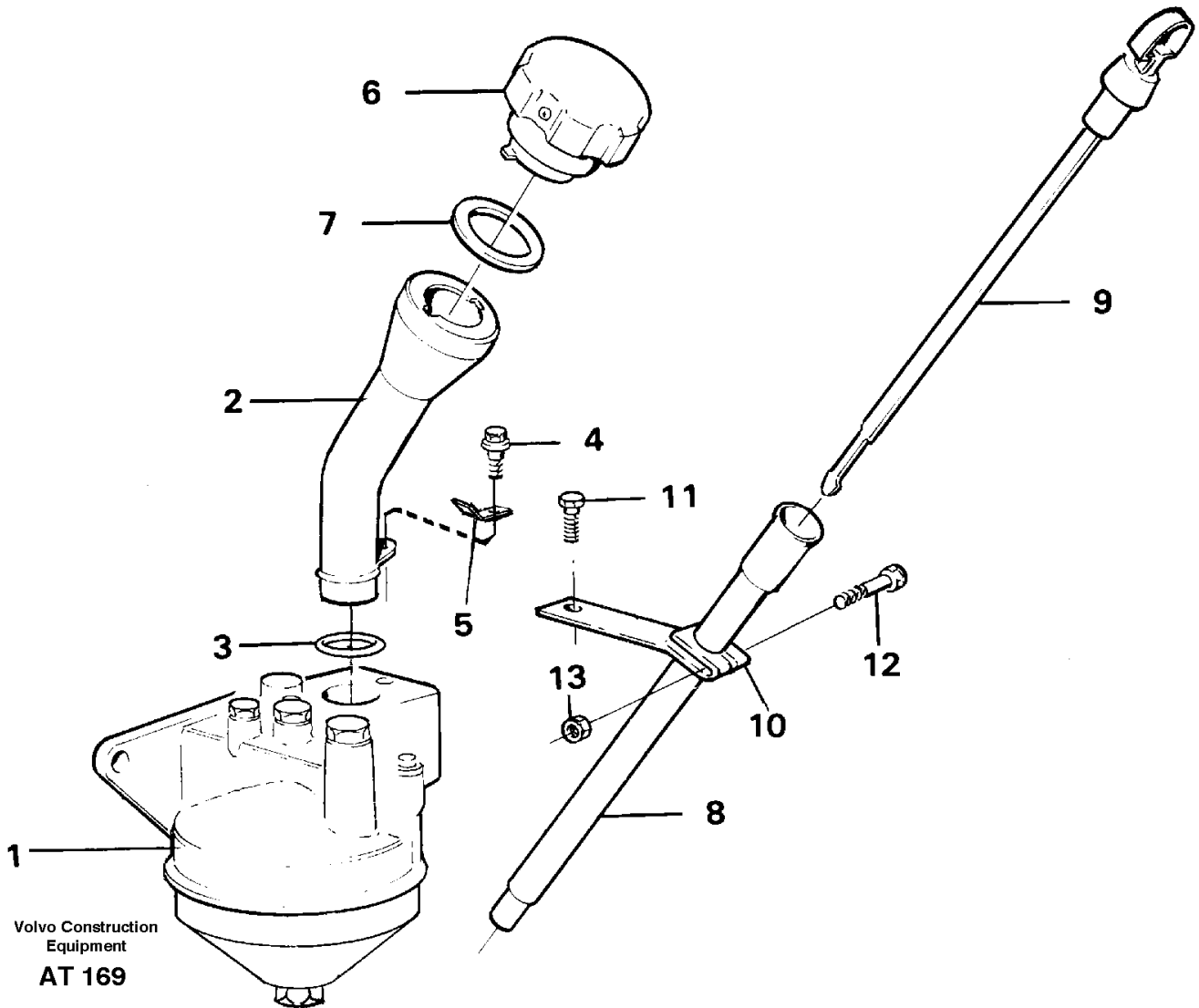


Volvo Construction
Equipment
AT 155

Pos	Part	Q1	Q2	Q3	Q4	Q5	PS	Kit	Description	Option(s)	Remark
1	VOE11162235	1							Oil pan		(VOE465622)
2	VOE11030778	1							Gasket		(VOE424918)
3	VOE946440	34							Flange screw		
4	VOE11024182	1							Hollow screw		

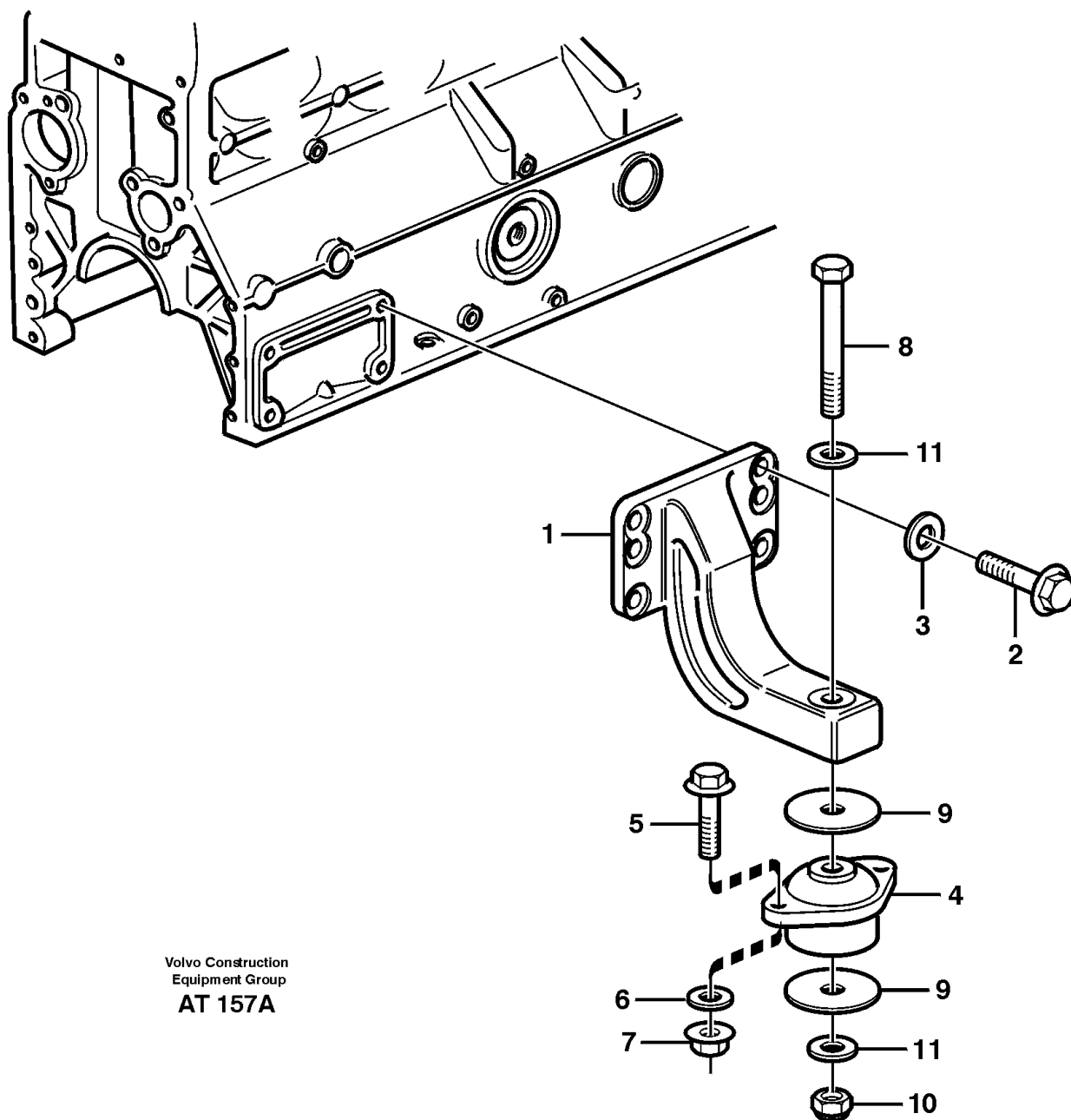
5	VOE13955997	2						O-ring		
6	VOE4761859	1						Oil draining pipe		
7	VOE13961191	ERF						Hydraulic hose		L=590 MM
8	VOE13943472	2						Hose clamp		(VOE943472)
9	VOE4850236	1						Nipple		
10	VOE926370	1						Plug		
11	VOE13949574	1						O-ring		
12	VOE13955294	2						Screw		
13	VOE13955894	2						Washer		

Date: 2014/2/13	Image id: AT169	Catalogue: 97785	Model: L90C OR
Brand: Volvo	Serial: 36001-36023, 70060-80000	Group/Section: 217/200	Title: Oil filler and dipstick



Pos	Part	Q1	Q2	Q3	Q4	Q5	PS	Kit	Description	Option(s)	Remark
1		1							Filter Housing		See ref 222/150
2	VOE4772233	1							Oil filler pipe		
3	VOE421629	1							Sealing ring		
4	VOE13946173	1							Screw		(VOE946173)M8x20
5	VOE421713	1							Tab washer		
6	VOE421753	1							Filler cap		
7	VOE1275379	1							•Gasket		(VOE940096)
8	VOE11030765	1							Pipe		
9	VOE4772191	1							Dipstick		
	VOE925054	1							•O-ring		

Date: 2014/2/13	Image id: AT157A	Catalogue: 97785	Model: L90C OR
Brand: Volvo	Serial: 36001-36023, 70060-80000	Group/Section: 218/100	Title: Engine mounting

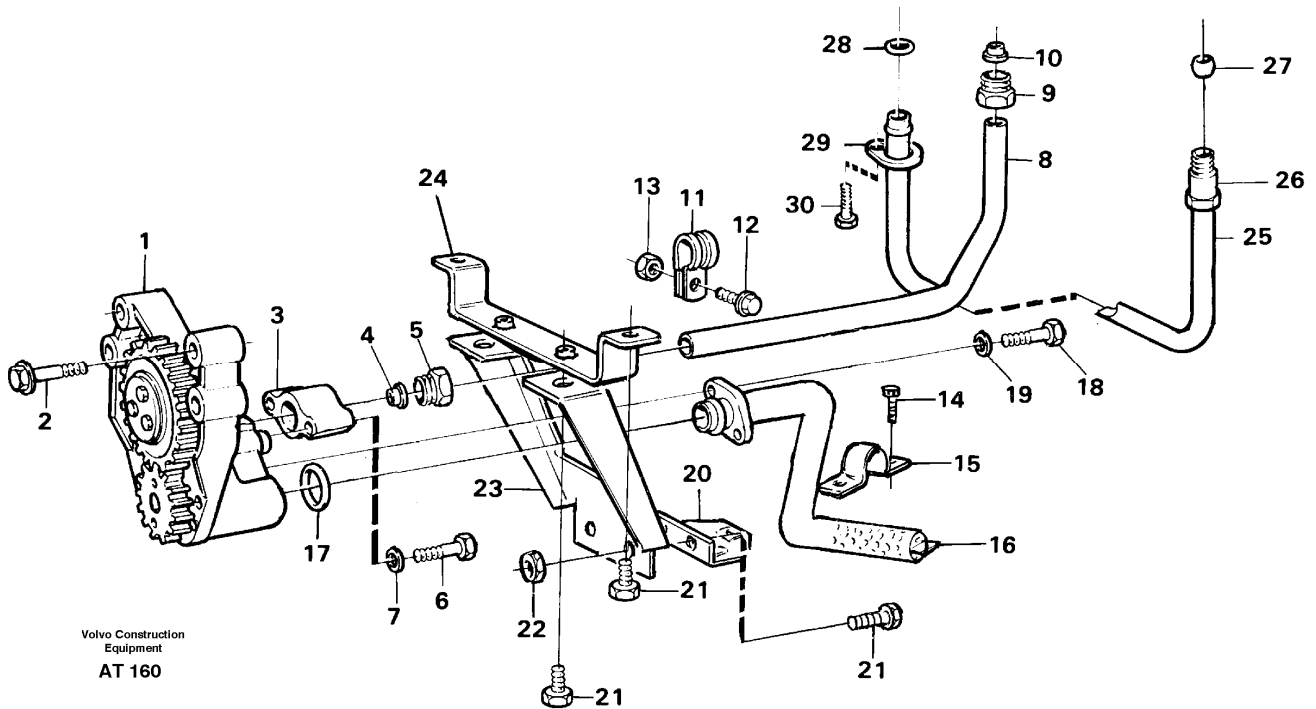


Volvo Construction
Equipment Group
AT 157A

Pos	Part	Q1	Q2	Q3	Q4	Q5	PS	Kit	Description	Option(s)	Remark
1	VOE4856778	2							Engine anchorage		
	VOE11015919	2							Engine anchorage	VOE93608	

2	VOE13970975	8							Hexagon screw		
3	VOE13955897	8							Washer		
4	VOE342812	2							Rubber cushion		(VOE7342812)
5	VOE13970950	4							Hexagon screw		
6	VOE13960143	4							Washer		
7	VOE13971098	4							Flange nut		
8	VOE13955378	2							Screw		
9	VOE11015657	4							Washer		
10	VOE945884	2							Lock nut		
11	VOE13955900	4							Washer		

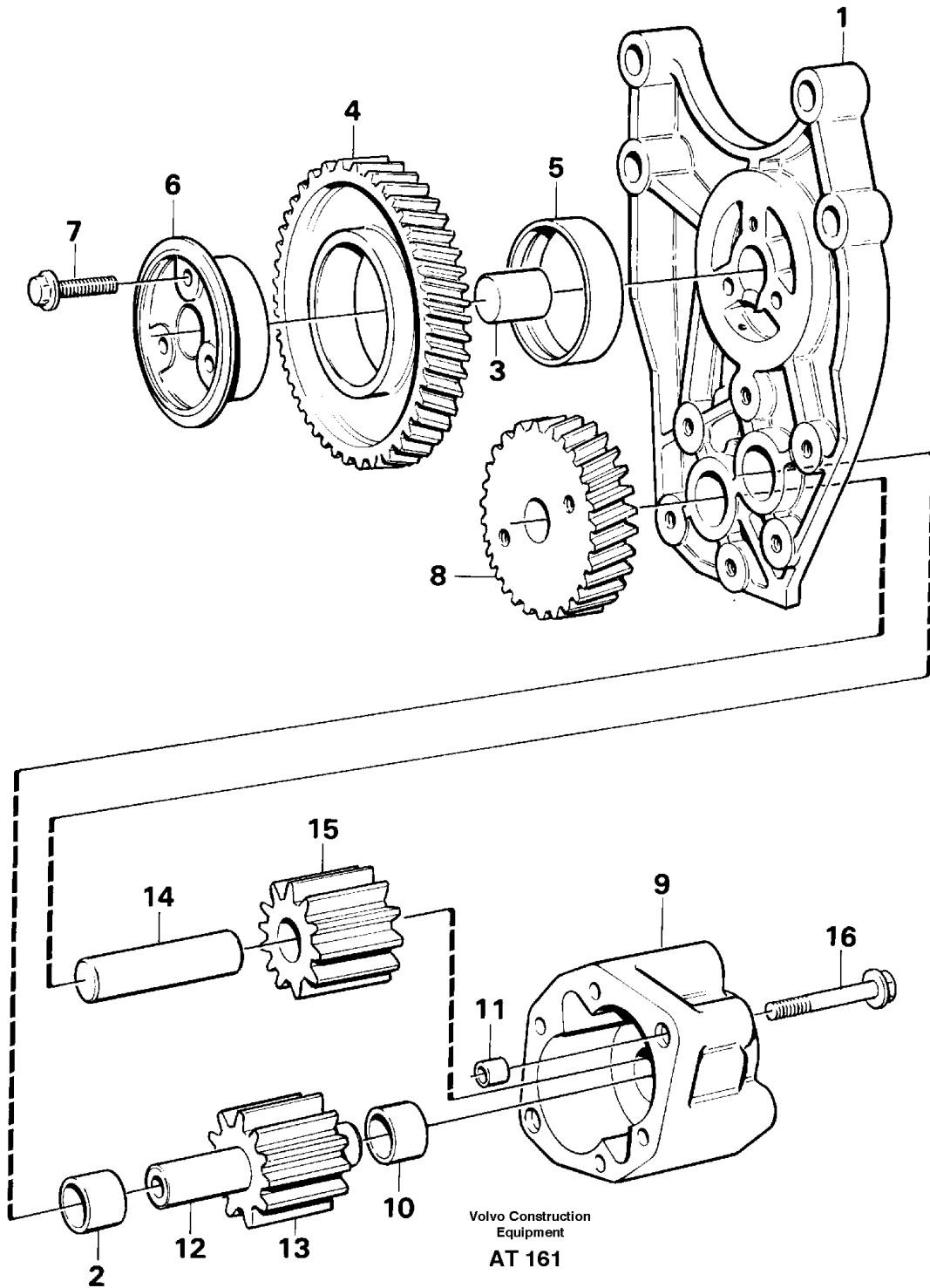
Date: 2014/2/13	Image id: AT160	Catalogue: 97785	Model: L90C OR
Brand: Volvo	Serial: 36001-36023, 70060-80000	Group/Section: 221/100	Title: Lubricating oil system



Pos	Part	Q1	Q2	Q3	Q4	Q5	PS	Kit	Description	Option(s)	Remark
1		1							Oil pump		See ref 221/150
2	VOE471513	4							Screw		M10x70
	VOE471734	2							Screw		M8x70
3	VOE465846	1							Sleeve		
4	VOE980786	1							Fitting		(VOE956972)
5	VOE471588	1							Connector		
6	VOE13955308	2							Screw		(VOE955308)
7	VOE191172	2							Washer		
8	VOE420993	1							Oil feed pipe		
9	VOE471588	2							•Connector		
10	VOE980786	2							•Fitting		(VOE956972)
11	VOE1545433	1							Clamp		
12	VOE13946173	1							Screw		(VOE946173)
13	VOE13945408	1							Nut		(VOE948645)
14	VOE13946544	2							Screw		(VOE965218)
15	VOE11030722	1							Clamp		
16	VOE11030734	1							Suction pipe		
17	VOE470383	2							Sealing ring		
18	VOE13965183	2							Flange screw		(VOE965182)

19	VOE13955894	2							Washer		(VOE955894)
20	VOE11030720	1							Bracket		
21	VOE946440	6							Flange screw		
22	VOE946036	2							Lock nut		
23	VOE11030725	1					SS		Baffle plate		
24	VOE11030718	1							Bracket		
25	VOE420996	1							Oil feed pipe		
26	VOE471588	1							•Connector		
27	VOE980786	1							•Fitting		(VOE956972)
28	VOE471956	2							•Sealing ring		
29	VOE471746	1							•Clamp		
30	VOE946440	1							Flange screw		

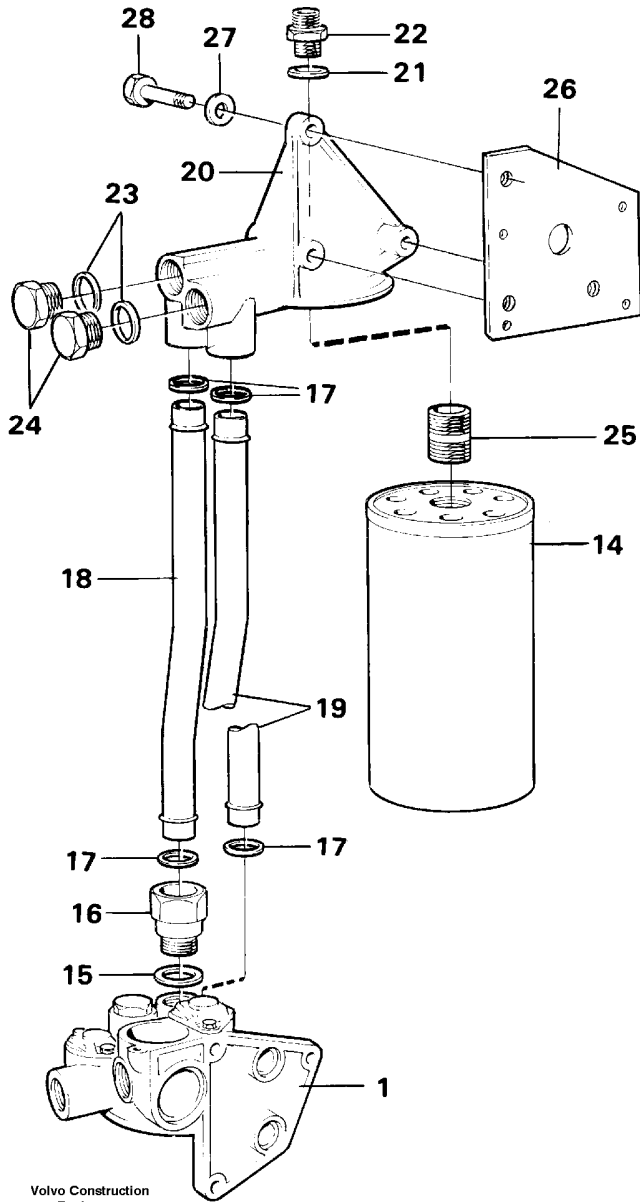
Date: 2014/2/13	Image id: AT161	Catalogue: 97785	Model: L90C OR
Brand: Volvo	Serial: 36001-36023, 70060-80000	Group/Section: 221/150	Title: Oil pump



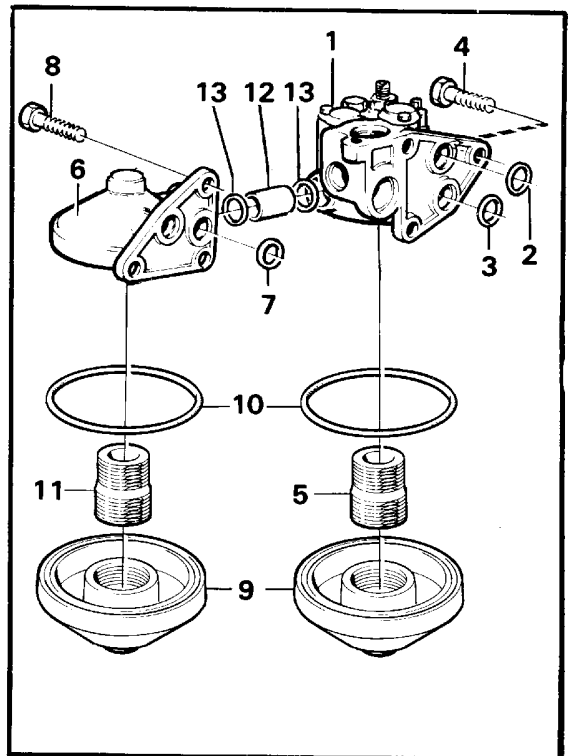
Pos	Part	Q1	Q2	Q3	Q4	Q5	PS	Kit	Description	Option(s)	Remark
-----	------	----	----	----	----	----	----	-----	-------------	-----------	--------

	VOE477547	1							Oil pump		
1	VOE471571	1							•Bracket		
2	VOE470347	2						K	••Bushing		
3	VOE191171	1							••Pin		
	VOE471942	1							•Drive Gear		
4		1					NS		••Idler gear		
5		1					NS		••Bearing ring		
6	VOE420048	1							•Bearing sleeve		
7	VOE471586	3							•Screw		
8	VOE471941	1							•Drive Gear		
9		1					NS		•Oil pump housing		
10	VOE470347	2						K	••Bushing		
11	VOE401146	2							••Guide sleeve		
12		1					NS	K	•Drive shaft		
13		1					NS	K	••Pump gear		
14		1					NS	K	•Idler shaft		
15		1					NS	K	••Pump gear		
16	VOE13965181	2							•Screw		(VOE965218)
	VOE276152	1							Repair kit		(VOE275773)

Date: 2014/2/13	Image id: AT167	Catalogue: 97785	Model: L90C OR
Brand: Volvo	Serial: 36001-36023, 70060-80000	Group/Section: 222/100	Title: Oil filter



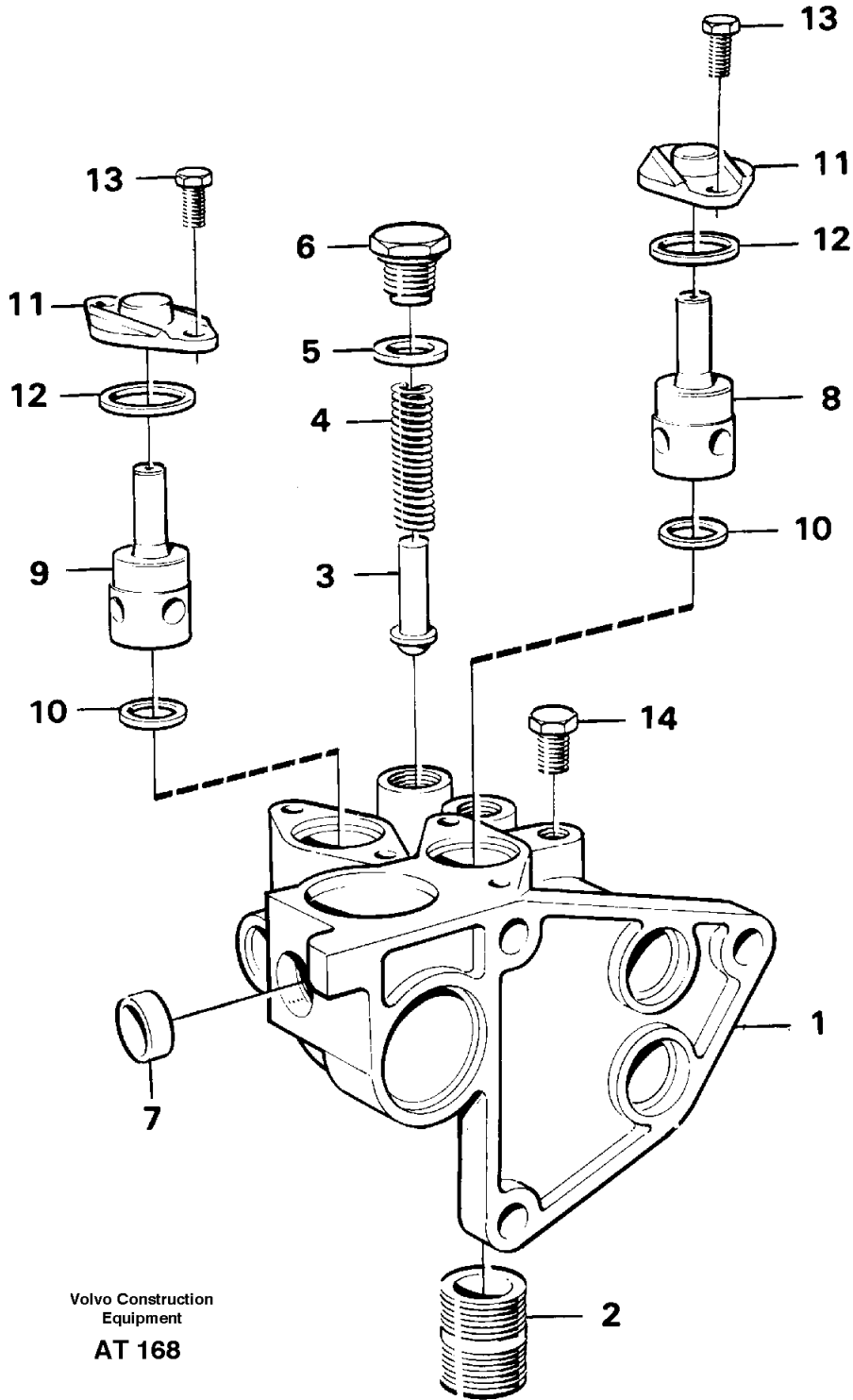
Volvo Construction
Equipment
AT 167



Pos	Part	Q1	Q2	Q3	Q4	Q5	PS	Kit	Description	Option(s)	Remark
1		1							Filter Housing		See ref 222/150
2	VOE13949656	2							O-ring		
3	VOE13949722	1							O-ring		
4	VOE946329	2							Flange screw		M10x25
	VOE13965222	1							Screw		M10x65
5		1							Nipple		See ref 222/150

6	VOE471601	1							Bracket		
7	VOE13949656	2							O-ring		
8	VOE946329	3							Flange screw		
9	VOE3812509	2							Casing		(VOE848431)
10	VOE13948981	2							O-ring		
11	VOE469904	1							Nipple		
12	VOE465857	1							Tube		
13	VOE471956	2							Sealing ring		
14	VOE466634	1							Oil filter		
15	VOE13947625	1							Plane gasket		
16	VOE11030597	1							Nipple		
17	VOE471956	4							Sealing ring		
18	VOE11030617	1							Pipe		
19	VOE11030616	1							Pipe		
20	VOE11030594	1							Housing		
21	VOE13947622	1							Plane gasket		
22	VOE13963948	1							Nipple		
23	VOE13947627	2							Plane gasket		(VOE947627)
24	VOE13966145	2							Plug		
25	VOE466623	1							Nipple		
26	VOE11030605	1							Bracket		
27	VOE13955894	3							Washer		(VOE955894)
28	VOE940132	2							Hexagon screw		M8x35
	VOE955306	1							Hexagon screw		M8x80

Date: 2014/2/13	Image id: AT168	Catalogue: 97785	Model: L90C OR
Brand: Volvo	Serial: 36001-36023, 70060-80000	Group/Section: 222/150	Title: Housing, oil filter

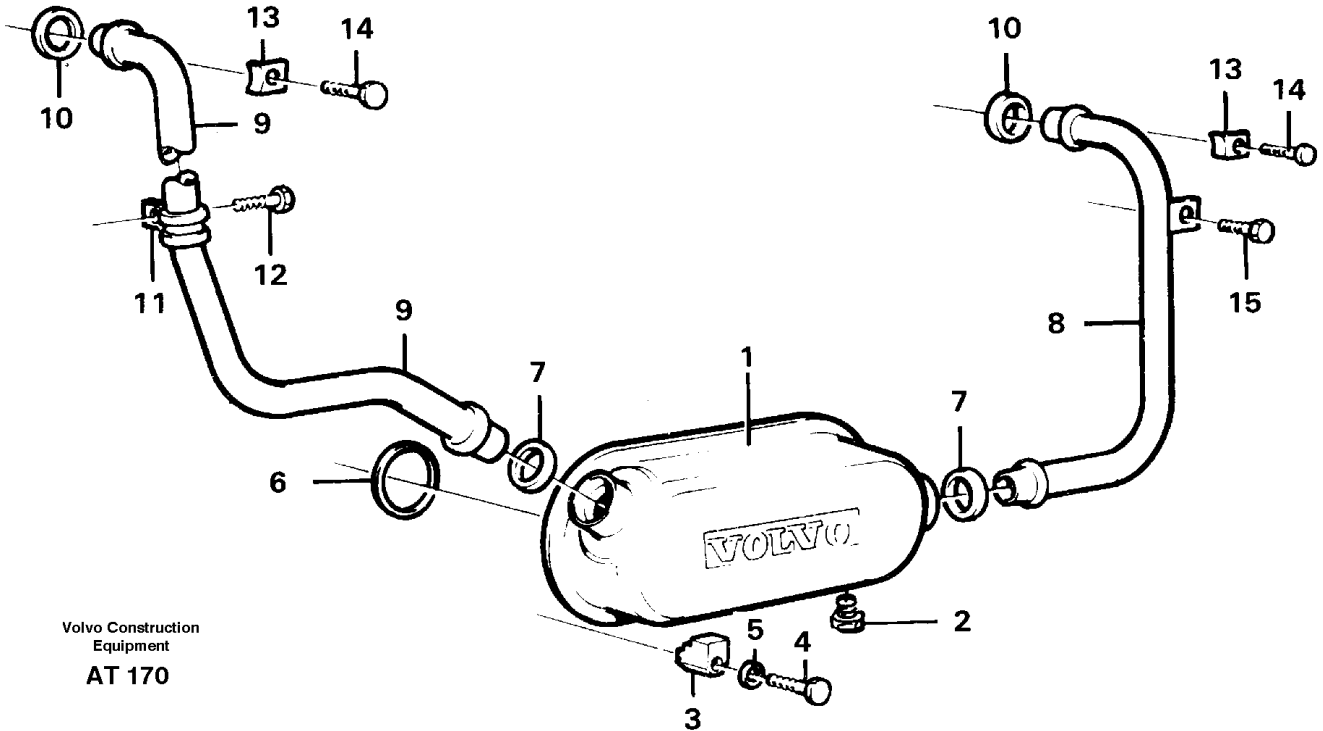


Volvo Construction
Equipment
AT 168

Pos	Part	Q1	Q2	Q3	Q4	Q5	PS	Kit	Description	Option(s)	Remark
-----	------	----	----	----	----	----	----	-----	-------------	-----------	--------

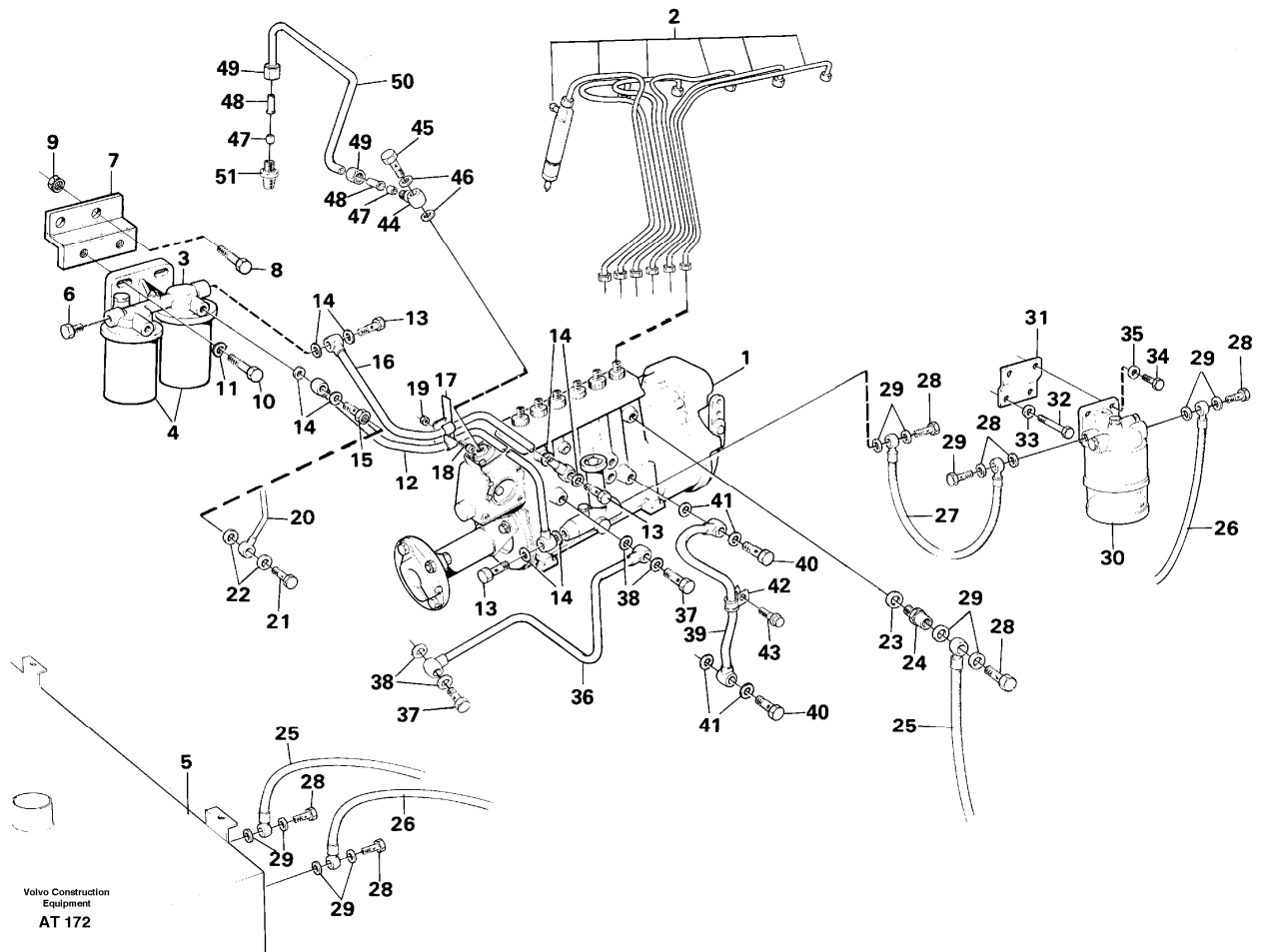
	VOE11030601	1							Housing		
1		1					NS		•Housing		
2	VOE11030599	1							•Nipple		
3	VOE471085	1							•Valve cone		
4	VOE466653	1							•Compression spring		
5	VOE13947627	1							•Plane gasket		(VOE947627)
6	VOE471598	1							•Plug		
7	VOE13948811	1							•Cap plug		
8	VOE471706	1							•Reduction valve		
9	VOE471646	1							•Piston cooling valve		
10	VOE469846	2							•Sealing ring		
11	VOE471648	2							•Cover		
12	VOE949659	2							•O-ring		
13	VOE13946544	4							•Screw		
14	VOE479979	1							•Plug		

Date: 2014/2/13	Image id: AT170	Catalogue: 97785	Model: L90C OR
Brand: Volvo	Serial: 36001-36023, 70060-80000	Group/Section: 223/100	Title: Oil cooler



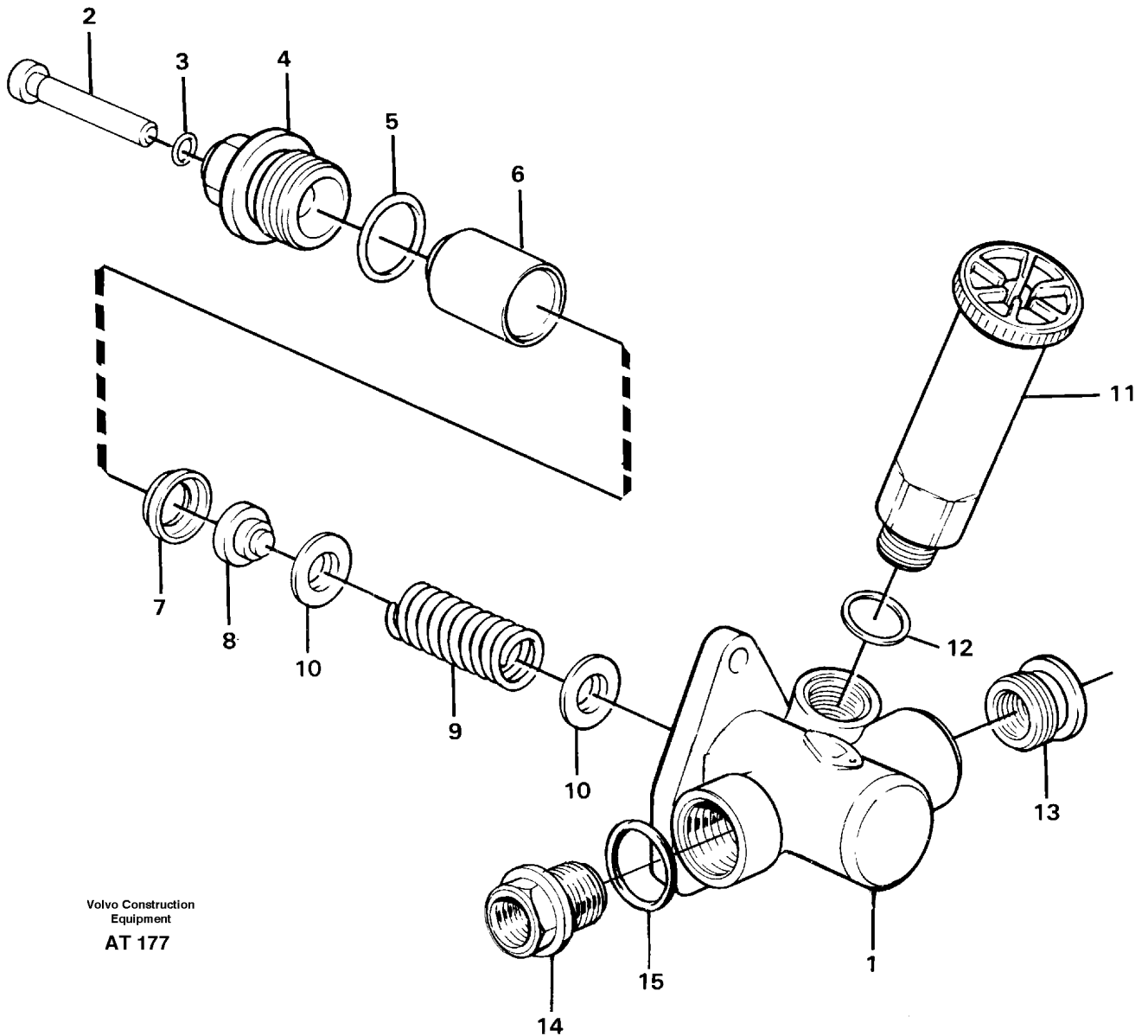
Pos	Part	Q1	Q2	Q3	Q4	Q5	PS	Kit	Description	Option(s)	Remark
1	VOE1661254	1							Oil cooler		
2	VOE180759	1							•Plug		
3	VOE471804	4							Retainer		
4	VOE13965186	2							Screw		(VOE965186)
	VOE965221	2							Flange screw		(VOE13965221)
5	VOE941908	4							Spring washer		
6	VOE471467	2							Sealing ring		
7	VOE471708	2							Sealing ring		
8	VOE848467	1							Coolant pipe		
9	VOE11030930	1							Pipe		
10	VOE471637	2							Sealing ring		
11	VOE968508	1							Clamp		
12	VOE13949846	1							Screw		M8x20
13	VOE421654	2							Clamp		
14	VOE946440	2							Flange screw		M8x16
15	VOE946440	1							Flange screw		M8x16

Date: 2014/2/13	Image id: AT172	Catalogue: 97785	Model: L90C OR
Brand: Volvo	Serial: 36001-36023, 70060-80000	Group/Section: 230/100	Title: Fuel system



Pos	Part	Q1	Q2	Q3	Q4	Q5	PS	Kit	Description	Option(s)	Remark
1		1							Injection pump		See ref 236/100
2									Pipe, injector		See ref 237/100
3		1							Filter Housing		See ref 233/150
4		2							Fuel filter		See ref 233/150
5		1							Fuel tank		See ref 234/100
6	VOE13968062	3							Plug		
7	VOE11030776	1							Bracket		
8	VOE946329	2							Flange screw		
9	VOE971071	2							Hexagon nut		
10	VOE13946752	2							Screw		
11	VOE941908	2							Spring washer		
12	VOE11030774	1							Fuel pipe		
13	VOE7025167	3							Hollow screw		

Date: 2014/2/13	Image id: AT177	Catalogue: 97785	Model: L90C OR
Brand: Volvo	Serial: 36001-36023, 70060-80000	Group/Section: 233/100	Title: Feed pump

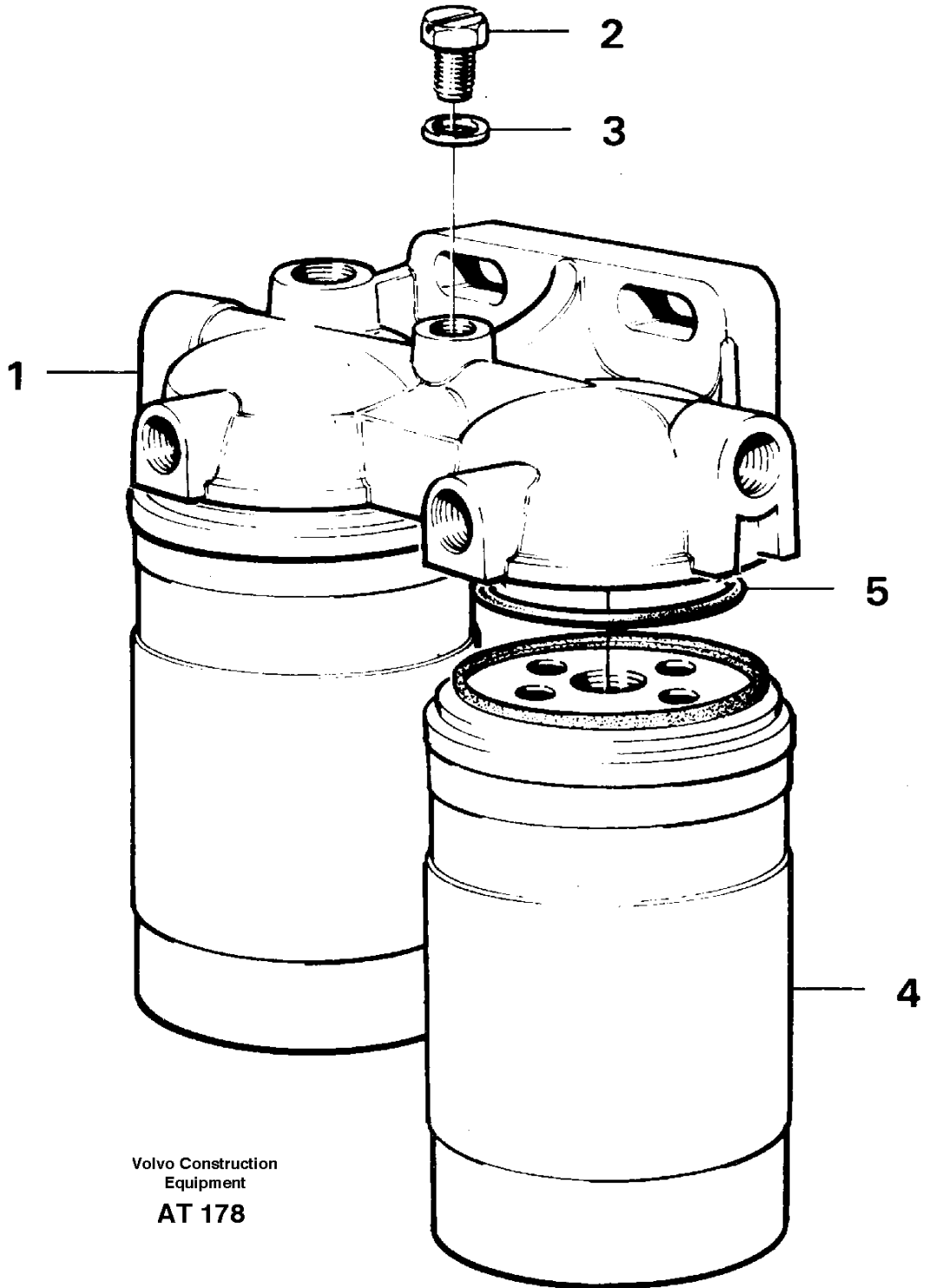


Volvo Construction
Equipment
AT 177

Pos	Part	Q1	Q2	Q3	Q4	Q5	PS	Kit	Description	Option(s)	Remark
	VOE244825	1							Feed pump		
1		1					NS		•Housing		
2	VOE244826	1							•Push rod		
3	VOE11716292	1							•O-ring		(VOE244829)
4	VOE244827	1							•Nipple		
5	VOE15031180	1							•O-ring		(VOE244828)
6	VOE244831	1							•Piston		
7	VOE11706665	1							•Spacer ring		(VOE244835)

8	VOE244834	1							•Valve		
9	VOE244832	1							•Spring		
10	VOE244833	2							•Spring disc		
11	VOE3094547	1							•Hand pump		(VOE11991822)
12	VOE240572	1							•Gasket		
13	VOE244836	1							•Bushing		
14	VOE3094340	1							•Nipple		
15	VOE3094341	1							•O-ring		(VOE7240572)

Date: 2014/2/13	Image id: AT178	Catalogue: 97785	Model: L90C OR
Brand: Volvo	Serial: 36001-36023, 70060-80000	Group/Section: 233/150	Title: Fuel filter



Volvo Construction
Equipment
AT 178

Pos	Part	Q1	Q2	Q3	Q4	Q5	PS	Kit	Description	Option(s)	Remark
-----	------	----	----	----	----	----	----	-----	-------------	-----------	--------

Thank you so much for reading.
Please click the “Buy Now!”
button below to download the
complete manual.



After you pay.

You can download the most
perfect and complete manual in
the world immediately.

Our support email:

ebooklibonline@outlook.com