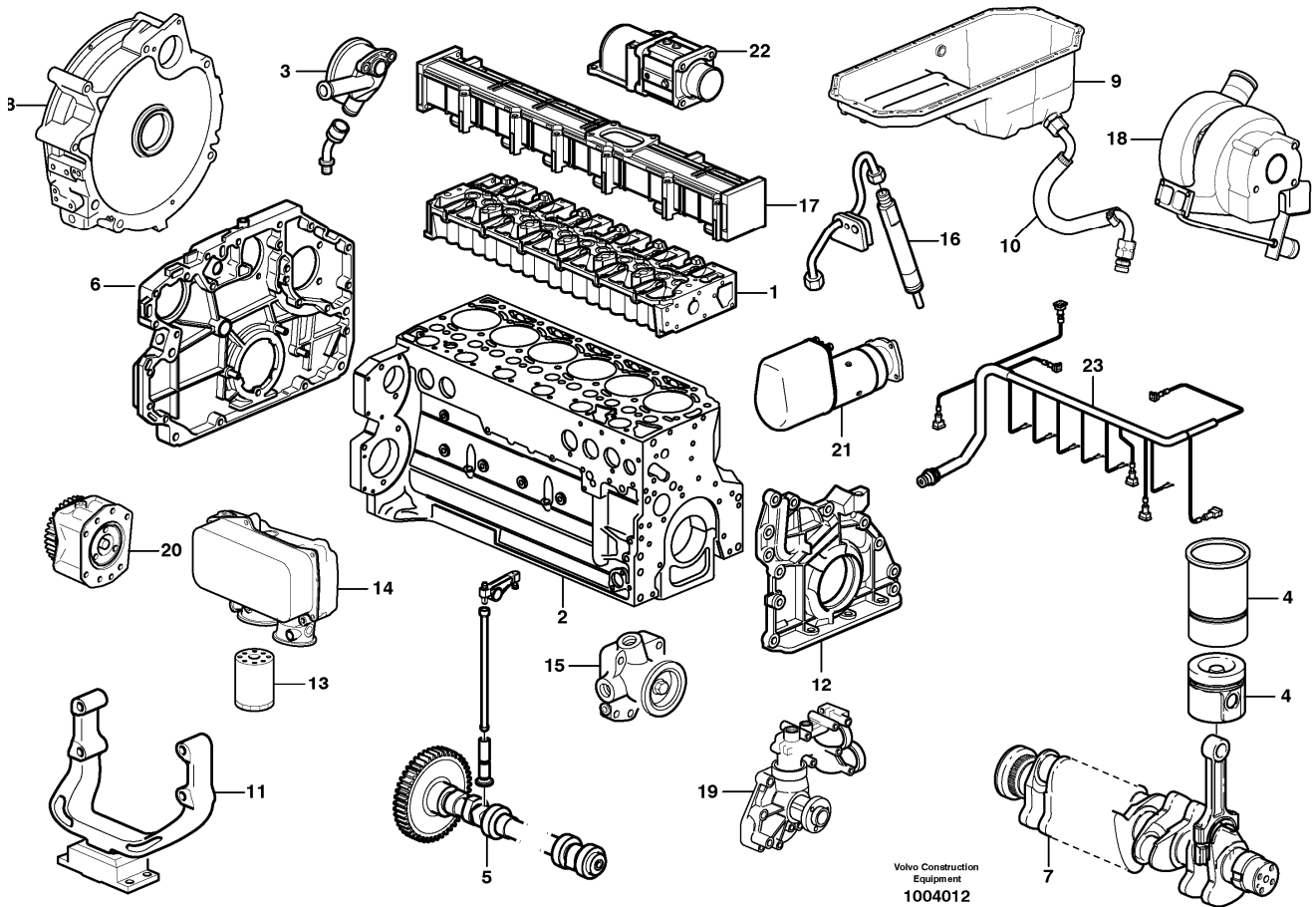


| | | | |
|---------------------------|---|----------------------------------|-------------------------|
| Date: 2014/2/19 | Image id: 1004012 | Catalogue: 20007 | Model: L90E |
| Brand: Volvo | Serial: 20001-22957, 66001-67953, 70801-71269 | Group/Section: 210/100 | Title: Engine |

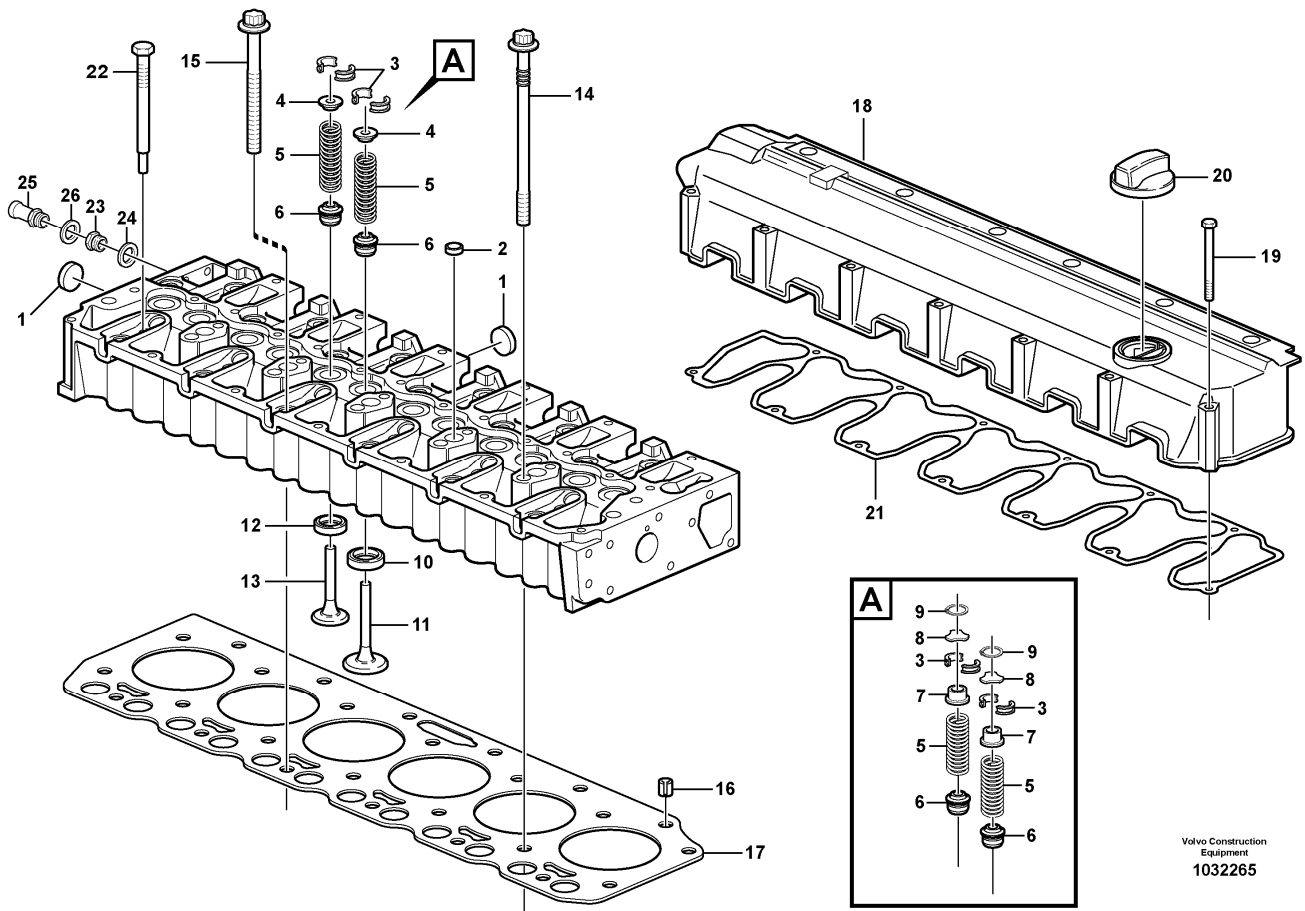


| Section option | Kit | Option description |
|----------------|-----|-----------------------|
| VOE11172408 | | Engine VOLVO D6D LAE2 |

| Pos | Part | Q1 | Q2 | Q3 | Q4 | Q5 | PS | Kit | Description | Option(s) | Remark |
|-----|-------------|----|----|----|----|----|----|-----|----------------------------|-----------|-----------------|
| | VOE11172408 | 1 | | | | | | | Engine | | D6DLAE2 |
| 1 | | 1 | | | | | | | •Cylinder head | | See ref 211/100 |
| 2 | | 1 | | | | | | | •Cylinder block | | See ref 212/100 |
| 3 | | 1 | | | | | | | •Crankcase ventilation | | See ref 212/150 |
| 4 | | 6 | | | | | | | •Cylinder Liner And Piston | | See ref 213/100 |
| 5 | | 1 | | | | | | | •Valve mechanism | | See ref 214/100 |
| 6 | | 1 | | | | | | | •Timing gear casing | | See ref 215/100 |
| 7 | | 1 | | | | | | | •Crankshaft | | See ref 216/100 |
| 8 | | 1 | | | | | | | •Flywheel housing | | See ref 216/150 |

| | | | | | | | | | | | |
|----|--|---|--|--|--|--|--|--|-------------------------------|--|---------------------------------|
| 9 | | 1 | | | | | | | •Oil sump | | See ref 217/100 |
| 10 | | 1 | | | | | | | •Oil Draining | | See ref 217/150 |
| 11 | | 1 | | | | | | | Engine suspension | | NOT INCLUDED See ref 218/100 |
| 12 | | 1 | | | | | | | •Lubricating system | | See ref 221/100 |
| 13 | | 1 | | | | | | | •Oil filter | | See ref 223/100 |
| 14 | | 1 | | | | | | | •Oil cooler | | See ref 223/100 |
| 15 | | 1 | | | | | | | •Fuel pump | | See ref 233/100 |
| 16 | | 1 | | | | | | | •Fuel pipes | | See ref 237/100 |
| 17 | | 1 | | | | | | | •Inlet manifold | | See ref 251/100 |
| 18 | | 1 | | | | | | | •Turbocharger | | See ref 255/100 |
| 19 | | 1 | | | | | | | •Coolant Pump | | See ref 262/100 |
| 20 | | 1 | | | | | | | •Pump Drive Power Take-off | | See ref 263/100 |
| 21 | | 1 | | | | | | | •Starter motor | | See ref 331/100 |
| 22 | | 1 | | | | | | | •Pre-heater With Fitting P | | See ref 333/200 |
| 23 | | 1 | | | | | | | •Cable Harness, Engine | | See ref 371/150 |

| | | | |
|---------------------------|---|----------------------------------|--------------------------------|
| Date: 2014/2/19 | Image id: 1032265 | Catalogue: 20007 | Model: L90E |
| Brand: Volvo | Serial: 20001-22957, 66001-67953, 70801-71269 | Group/Section: 211/100 | Title: Cylinder head |



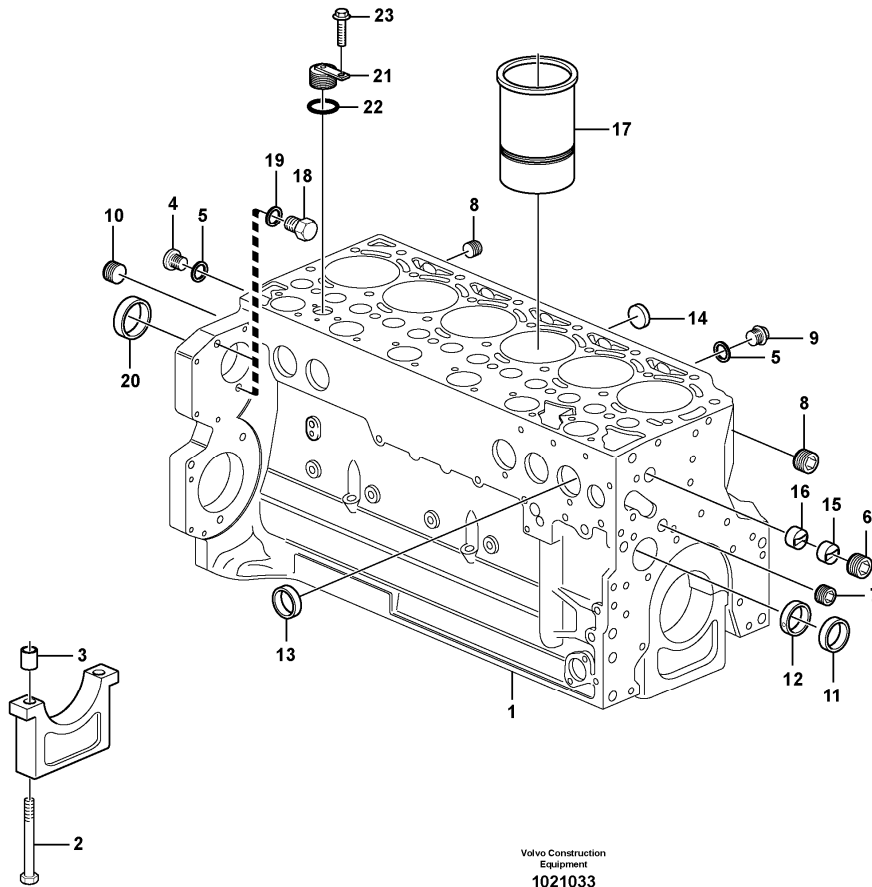
Volvo Construction
Equipment
1032265

| Section option | Kit | Option description |
|----------------|-----|-----------------------|
| VOE11172408 | | Engine VOLVO D6D LAE2 |

| Pos | Part | Q1 | Q2 | Q3 | Q4 | Q5 | PS | Kit | Description | Option(s) | Remark |
|-----|-------------|----|----|----|----|----|----|-----|---------------|-----------|-----------------------------|
| | VOE20747867 | 1 | | | | | | | Cylinder head | | (VOE20498711)ENG - 01031803 |
| | VOE20747867 | 1 | | | | | | | Cylinder head | | ENG 1031804 - 2006/01 |
| | VOE21055823 | 1 | | | | | | | Cylinder head | | ENG 2006/02 - |
| 1 | VOE20412745 | 5 | | | | | | | •Core plug | | |
| 2 | VOE20412733 | 5 | | | | | | | •Core plug | | |
| 3 | VOE20459857 | 24 | | | | | | | •Valve sleeve | | |
| 4 | VOE20535037 | 12 | | | | | | | •Washer | | ENG - 2006/01 |
| 5 | VOE20459851 | 12 | | | | | | | •Valve spring | | |
| 6 | VOE20459855 | 12 | | | | | | | •Valve seal | | |

| | | | | | | | | | | | |
|----|-------------|----|--|--|--|--|----|--|-----------------|------|-------------------------------|
| 7 | VOE20840747 | 12 | | | | | | | •Spring Disc | | ENG 2006/02 - |
| 8 | VOE20840807 | 12 | | | | | | | •Thrust Washer | | |
| 9 | VOE20840772 | 12 | | | | | | | •Snap Ring | | |
| 10 | VOE20459852 | 6 | | | | | | | •Valve seat | | |
| 11 | VOE20482741 | 6 | | | | | | | •Inlet valve | | (VOE20791517)ENG - 2006/01 |
| 11 | VOE21026535 | 6 | | | | | | | •Inlet valve | | ENG 2006/02 - |
| 12 | VOE20459854 | 6 | | | | | | | •Valve seat | | |
| 13 | VOE20482742 | 6 | | | | | | | •Exhaust valve | | (VOE20459861)ENG - 2006/01 |
| 13 | VOE21026536 | 6 | | | | | | | •Exhaust Valve | | ENG 2006/02 - |
| 14 | VOE20459837 | 7 | | | | | | | Bolt | | |
| 15 | VOE20459838 | 19 | | | | | | | Bolt | | |
| 16 | VOE20459839 | 2 | | | | | | | Bushing | | |
| 17 | VOE20795927 | 1 | | | | | | | Cylinder Gasket | Head | (VOE24426690)1,27 MM |
| 17 | VOE20795944 | 1 | | | | | | | Cylinder Gasket | Head | (VOE24426691)1,37 MM |
| 17 | VOE20795952 | 1 | | | | | | | Cylinder Gasket | Head | (VOE24426692)1,47 MM |
| 18 | VOE20558880 | 1 | | | | | | | Valve Cover | | (VOE20459829)ENG - 620552 |
| 18 | VOE20459831 | 1 | | | | | SS | | Valve cover | | ENG 620553 - 859316 |
| 18 | VOE20558810 | 1 | | | | | | | Valve Cover | | ENG 859317 - |
| 19 | VOE20459830 | 13 | | | | | | | Screw | | |
| 20 | VOE20412589 | 1 | | | | | | | Filler cap | | |
| 21 | VOE20459828 | 1 | | | | | | | Gasket | | ENG - 859316 |
| 21 | VOE20558929 | 1 | | | | | | | Gasket | | ENG 859317 - |
| 22 | VOE20405895 | 6 | | | | | | | Plug | | |
| 23 | VOE20516927 | 1 | | | | | | | Sealing ring | | |
| 24 | VOE13969011 | 1 | | | | | | | Gasket | | |
| 25 | VOE20483764 | 1 | | | | | | | Nipple | | |
| 26 | VOE13947281 | 1 | | | | | | | Gasket | | |

| | | | |
|---------------------------|---|----------------------------------|---------------------------------|
| Date: 2014/2/19 | Image id: 1021033 | Catalogue: 20007 | Model: L90E |
| Brand: Volvo | Serial: 20001-22957, 66001-67953, 70801-71269 | Group/Section: 212/100 | Title: Cylinder block |

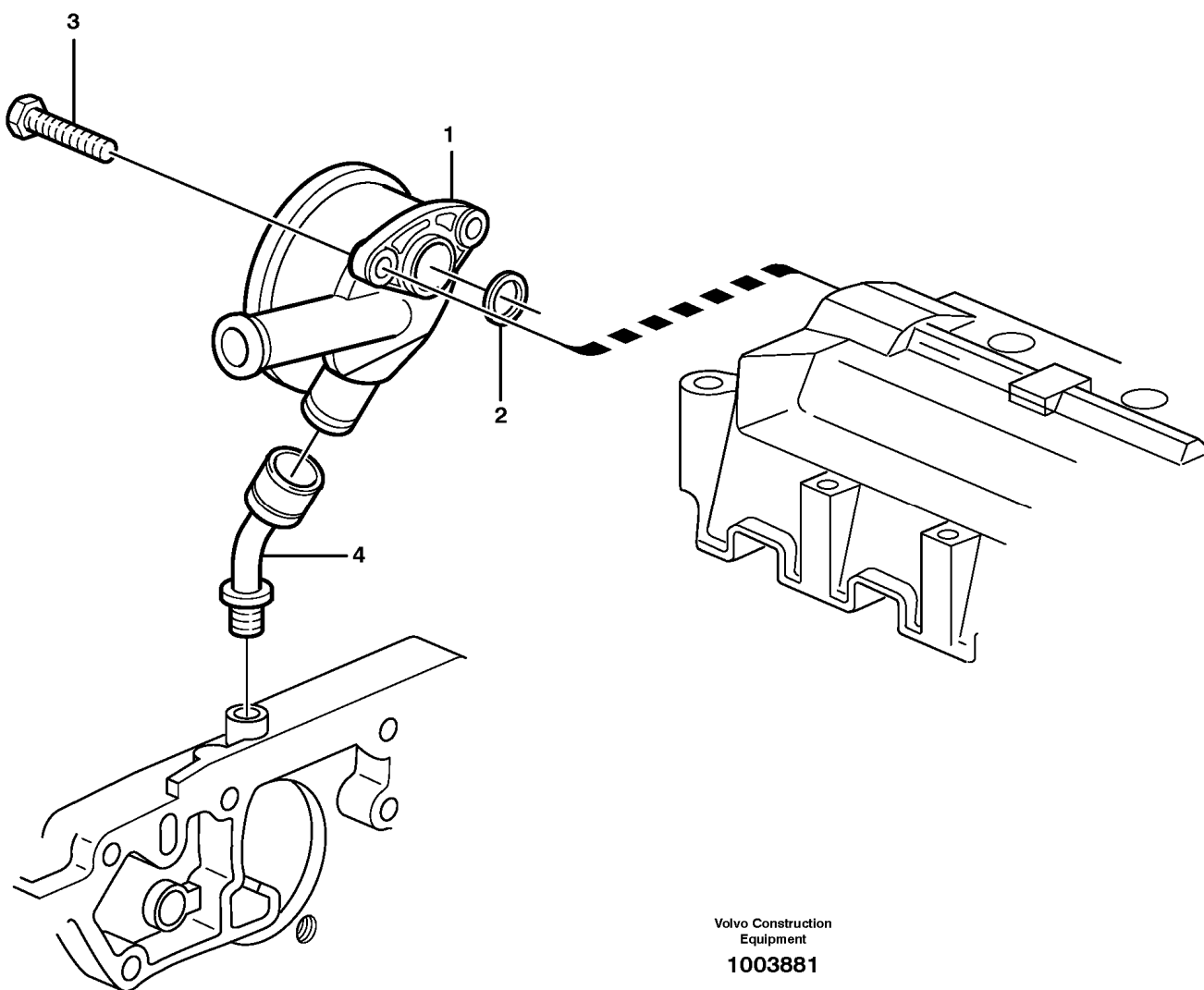


| Section option | Kit | Option description |
|----------------|-----|-----------------------|
| VOE11172408 | | Engine VOLVO D6D LAE2 |

| Pos | Part | Q1 | Q2 | Q3 | Q4 | Q5 | PS | Kit | Description | Option(s) | Remark |
|-----|-------------|----|----|----|----|----|----|-----|----------------|-----------|----------------------------|
| 1 | VOE20533309 | 1 | | | | | SS | | Cylinder Block | | ENG - 01060658 |
| 1 | VOE20785815 | 1 | | | | | SS | | Cylinder Block | | ENG 01060659 - 01099383 |
| 1 | VOE21009708 | 1 | | | | | | | Crankcase | | ENG 01099384 - |
| 2 | VOE20460006 | 14 | | | | | | | •Screw | | ENG - 01099383 |
| 3 | VOE20460001 | 14 | | | | | | | •Bushing | | ENG - 01099383 |
| 4 | VOE945065 | 1 | | | | | | | •Plug | | |
| 5 | VOE13969011 | 3 | | | | | | | •Gasket | | |
| 6 | VOE20405717 | 1 | | | | | | | •Plug | | |
| 7 | VOE20405719 | 1 | | | | | | | •Plug | | ENG - 01099383 |
| 8 | VOE20508600 | 2 | | | | | | | •Plug | | |

| | | | | | | | | | | | |
|----|-------------|---|--|--|--|--|--|--|-------------------|--|------------------------------------|
| 9 | VOE20405716 | 2 | | | | | | | •Plug | | |
| 10 | VOE20785813 | 1 | | | | | | | •Plug | | |
| 11 | VOE20459999 | 6 | | | | | | | •Camshaft bushing | | |
| 12 | VOE20459998 | 1 | | | | | | | •Camshaft bushing | | |
| 13 | VOE20405721 | 9 | | | | | | | •Core plug | | |
| 14 | VOE20412745 | 6 | | | | | | | •Core plug | | (VOE20450767) |
| 15 | VOE20405584 | 1 | | | | | | | •Guide sleeve | | |
| 16 | VOE20405906 | 1 | | | | | | | •Guide sleeve | | |
| 17 | | 6 | | | | | | | •Cylinder Liner | | NO PISTONS ETC. See ref 213/100 |
| 18 | VOE20441859 | 2 | | | | | | | Plug | | (VOE20532680) |
| 19 | VOE13947281 | 2 | | | | | | | Gasket | | |
| 20 | VOE20450778 | 1 | | | | | | | Core plug | | |
| 21 | VOE20702078 | 1 | | | | | | | Plug | | ENG - 01047118 |
| | VOE20758137 | 1 | | | | | | | Plug | | ENG 01047119 - |
| 22 | VOE20405728 | 1 | | | | | | | •Sealing ring | | |
| 23 | VOE20711881 | 1 | | | | | | | Screw | | |

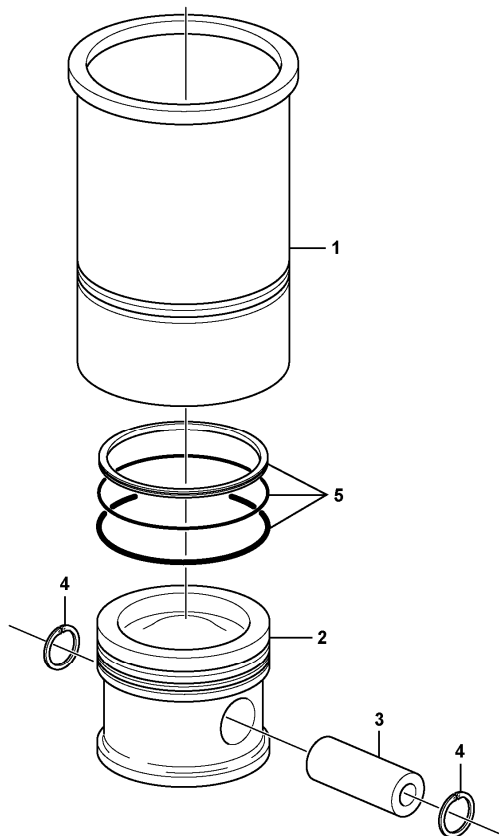
| | | | |
|---------------------------|---|----------------------------------|--|
| Date: 2014/2/19 | Image id: 1003881 | Catalogue: 20007 | Model: L90E |
| Brand: Volvo | Serial: 20001-22957, 66001-67953, 70801-71269 | Group/Section: 212/150 | Title: Crankcase ventilation |



| Section option | Kit | Option description |
|----------------|-----|-----------------------|
| VOE11172408 | | Engine VOLVO D6D LAE2 |

| Pos | Part | Q1 | Q2 | Q3 | Q4 | Q5 | PS | Kit | Description | Option(s) | Remark |
|-----|-------------|----|----|----|----|----|----|-----|-----------------|-----------|---------------|
| 1 | VOE20459252 | 1 | | | | | SS | | Press Regulator | | |
| 2 | VOE20405627 | 1 | | | | | | | Gasket | | |
| 3 | VOE20450728 | 2 | | | | | | | Bolt | | (VOE20497047) |
| 4 | VOE20405938 | 1 | | | | | | | Connector | | |

| | | | |
|---------------------------|---|----------------------------------|--|
| Date: 2014/2/19 | Image id: 1024633 | Catalogue: 20007 | Model: L90E |
| Brand: Volvo | Serial: 20001-22957, 66001-67953, 70801-71269 | Group/Section: 213/100 | Title: Cylinder liner and piston |

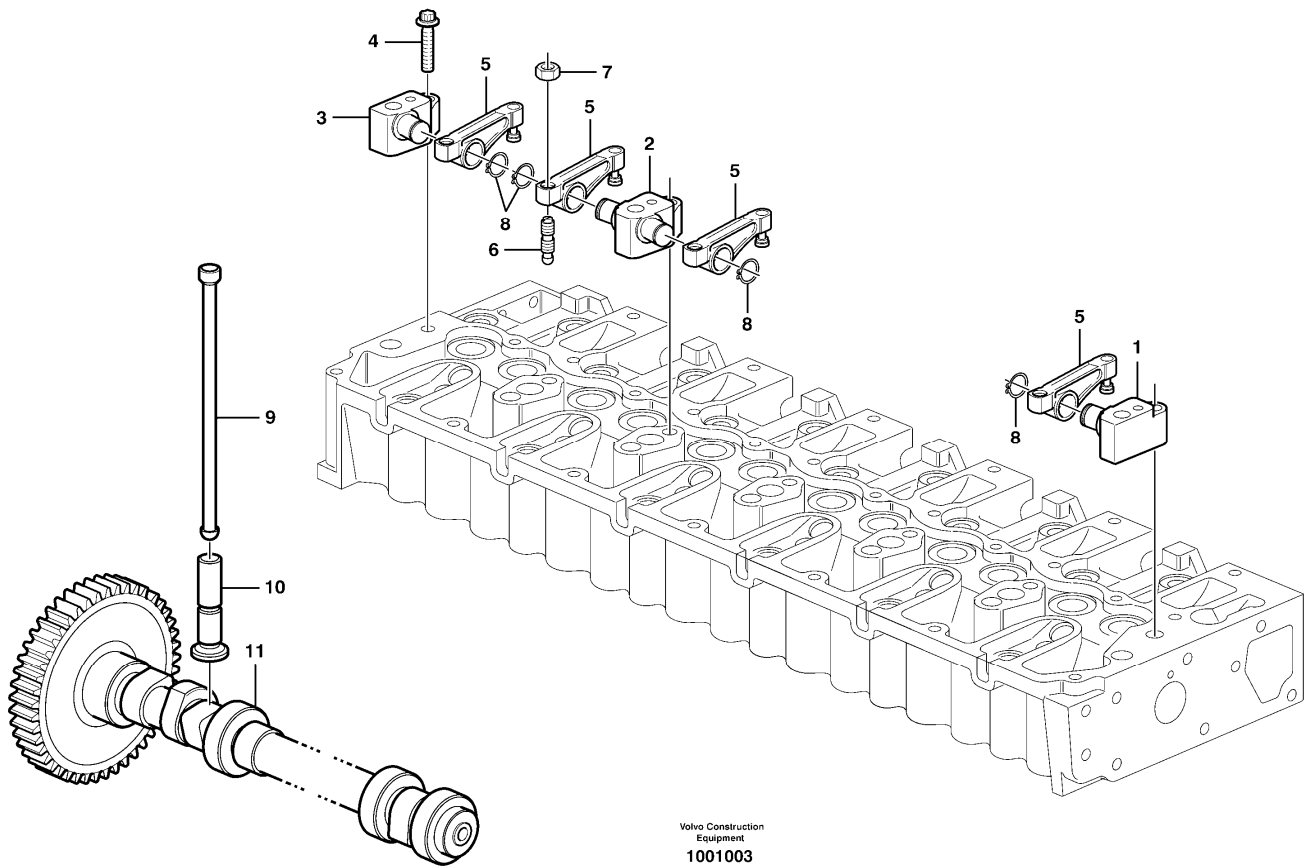


Volvo Construction
Equipment
1024633

| Section option | Kit | Option description |
|----------------|-----|-----------------------|
| VOE11172408 | | Engine VOLVO D6D LAE2 |

| Pos | Part | Q1 | Q2 | Q3 | Q4 | Q5 | PS | Kit | Description | Option(s) | Remark |
|-----|-------------|----|----|----|----|----|----|-----|-------------------|-----------|----------------|
| 1 | VOE20854651 | 6 | | | | | | | Cyl Liner Kit | | ENG - 01060666 |
| 1 | VOE20854654 | 6 | | | | | | | Cyl Liner Kit | | ENG 01060667 - |
| 2 | | 6 | | | | | NS | | •Piston | | |
| 3 | VOE20460009 | 6 | | | | | | | ••Gudgeon pin | | |
| 4 | VOE21159226 | 12 | | | | | | | ••Retaining ring | | (VOE20460010) |
| 5 | VOE20460011 | 6 | | | | | | | ••Piston ring kit | | |

| | | | |
|---------------------------|---|----------------------------------|----------------------------------|
| Date: 2014/2/19 | Image id: 1001003 | Catalogue: 20007 | Model: L90E |
| Brand: Volvo | Serial: 20001-22957, 66001-67953, 70801-71269 | Group/Section: 214/100 | Title: Valve mechanism |

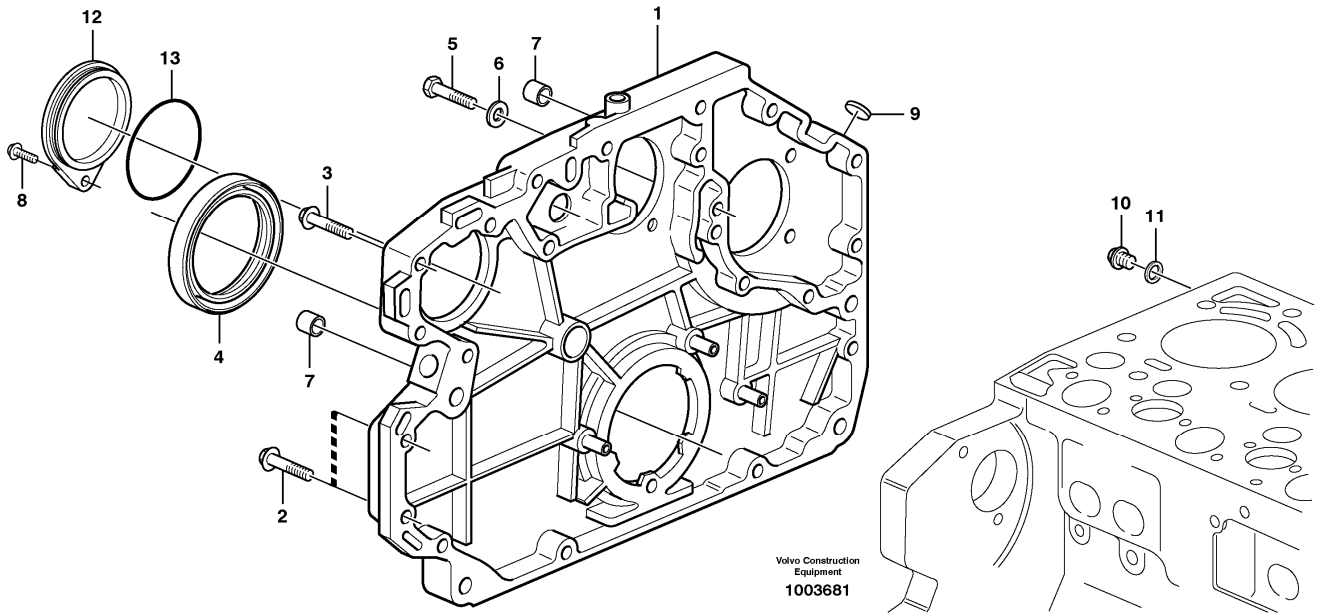


| Section option | Kit | Option description |
|----------------|-----|-----------------------|
| VOE11172408 | | Engine VOLVO D6D LAE2 |

| Pos | Part | Q1 | Q2 | Q3 | Q4 | Q5 | PS | Kit | Description | Option(s) | Remark |
|-----|-------------|----|----|----|----|----|----|-----|-----------------|-----------|-------------------------------|
| 1 | VOE20459848 | 1 | | | | | | | Bracket | | |
| 2 | VOE20459847 | 5 | | | | | | | Bracket | | |
| 3 | VOE20459849 | 1 | | | | | | | Bracket | | |
| 4 | VOE20459853 | 7 | | | | | | | Screw | | |
| 5 | VOE20459850 | 12 | | | | | | | Rocker arm | | ENG - 2006/01 |
| 5 | VOE21448926 | 12 | | | | | | | Rocker arm | | (VOE20792876)ENG 2006/02 - |
| 6 | VOE20405524 | 12 | | | | | | | Screw | | ENG - 2007/08 |
| 6 | VOE20913851 | 12 | | | | | | | Adjusting Screw | | ENG 2007/09 - |
| 7 | VOE11700373 | 12 | | | | | | | Nut | | |
| 8 | VOE945495 | 12 | | | | | | | Retaining ring | | |
| 9 | VOE20460008 | 12 | | | | | | | Push rod | | |

| | | | | | | | | | | | |
|----|-------------|----|--|--|--|--|----|--|----------|--|----------------|
| 10 | VOE20460007 | 12 | | | | | | | Tappet | | |
| 11 | VOE20502005 | 1 | | | | | SS | | Camshaft | | ENG - 01099344 |
| 11 | VOE20973962 | 1 | | | | | | | Camshaft | | ENG 01099345 - |

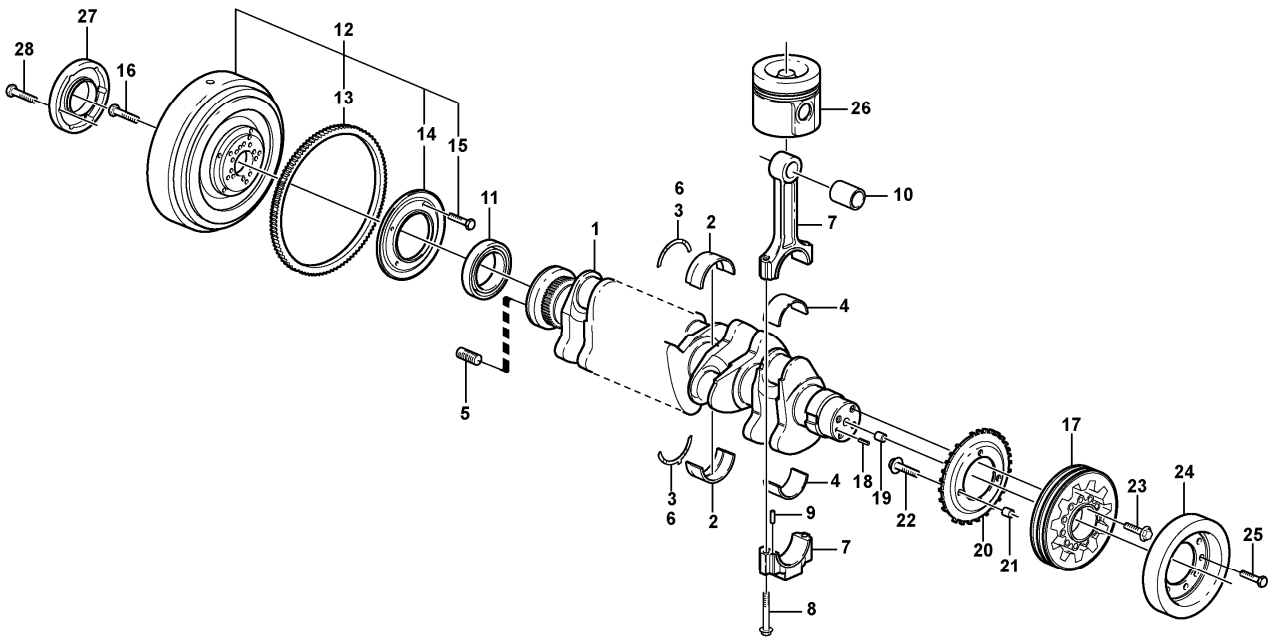
| | | | |
|---------------------------|---|----------------------------------|---|
| Date: 2014/2/19 | Image id: 1003681 | Catalogue: 20007 | Model: L90E |
| Brand: Volvo | Serial: 20001-22957, 66001-67953, 70801-71269 | Group/Section: 215/100 | Title: Timing gear casing and gears |



| Section option | Kit | Option description |
|----------------|-----|-----------------------|
| VOE11172408 | | Engine VOLVO D6D LAE2 |

| Pos | Part | Q1 | Q2 | Q3 | Q4 | Q5 | PS | Kit | Description | Option(s) | Remark |
|-----|-------------|----|----|----|----|----|----|-----|-----------------|-----------|---------------|
| 1 | VOE20918119 | 1 | | | | | | | Tmg Gear Casing | | |
| 2 | VOE20412324 | 12 | | | | | | | Screw | | |
| 3 | VOE20450801 | 3 | | | | | | | Screw | | |
| 4 | VOE20929860 | 1 | | | | | | | Crankshaft Seal | | |
| 5 | VOE20405653 | 2 | | | | | SS | | Screw | | E PROD |
| 6 | VOE13955900 | 2 | | | | | | | Washer | | E PROD |
| 7 | VOE20405646 | 2 | | | | | | | Bushing | | ENG - 920347 |
| 7 | VOE20585971 | 2 | | | | | | | Bushing | | ENG 920348 - |
| 8 | VOE20405672 | 1 | | | | | | | Screw | | |
| 9 | VOE20405605 | 1 | | | | | | | Cover | | |
| 10 | VOE960630 | 2 | | | | | | | Plug | | |
| 11 | VOE13947621 | 2 | | | | | | | Plane gasket | | |
| 12 | VOE20405740 | 1 | | | | | | | Cover | | (VOE20459901) |
| 13 | VOE20405652 | 1 | | | | | | | Sealing ring | | |

| | | | |
|---------------------------|---|----------------------------------|---|
| Date: 2014/2/19 | Image id: 1021714 | Catalogue: 20007 | Model: L90E |
| Brand: Volvo | Serial: 20001-22957, 66001-67953, 70801-71269 | Group/Section: 216/100 | Title: Crankshaft and related parts |



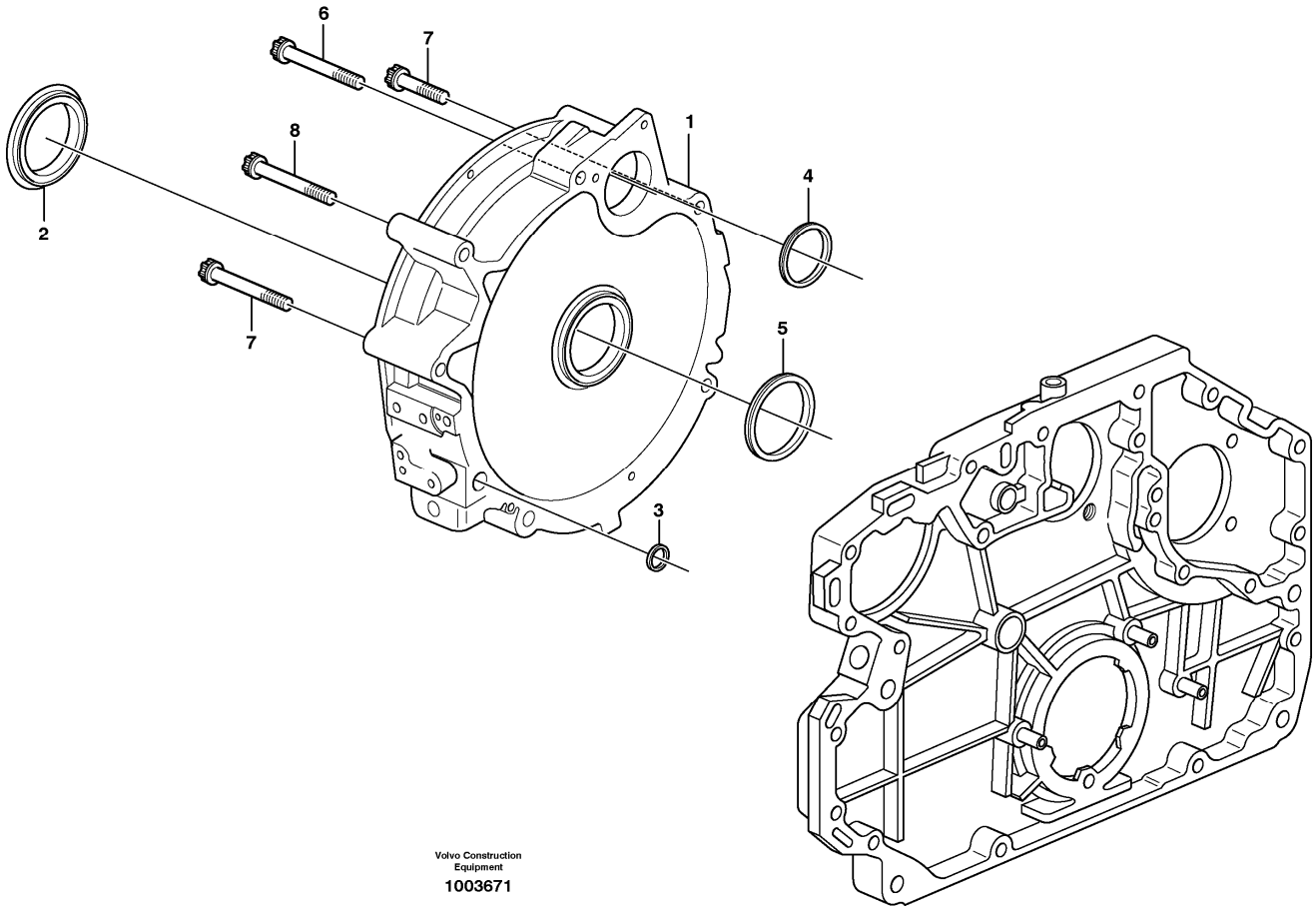
Volvo Construction
Equipment
1021714

| Section option | Kit | Option description |
|----------------|-----|-----------------------|
| VOE11172408 | | Engine VOLVO D6D LAE2 |

| Pos | Part | Q1 | Q2 | Q3 | Q4 | Q5 | PS | Kit | Description | Option(s) | Remark |
|-----|-------------|-----|----|----|----|----|----|-----|---------------|-----------|---------------------------------------|
| 1 | VOE20459146 | 1 | | | | | | | Crankshaft | | ENG - 851836 |
| | VOE20769707 | 1 | | | | | SS | | Crankshaft | | ENG 851837 - 1022790 |
| | VOE21351400 | 1 | | | | | | | Crankshaft | | (VOE20785969)ENG 1022791 - 1099383 |
| | VOE21351400 | 1 | | | | | | | Crankshaft | | (VOE20892713)ENG 1099384 - |
| 2 | VOE20459140 | 7 | | | | | | | Main bearing | | STD 84,00 MM |
| | VOE20459139 | 7 | | | | | | | Main Bearing | | U SZ 83,75 MM |
| 3 | VOE20459149 | REQ | | | | | | | Thrust washer | | STD WID 14 MM THICK 2,0 MM |
| | VOE20459148 | REQ | | | | | | | Thrust Washer | | WID 14 MM THICK 2,2 |

| | | | | | | | | | | | MM |
|----|-------------|-----|--|--|--|--|----|--|------------------|--|--------------------------------|
| 4 | VOE20555403 | 6 | | | | | | | Bearing | | ENG - 695616 STD 63,00 MM |
| | VOE20459147 | 6 | | | | | | | Bearing | | ENG - 695616 U SZ 62,75 MM |
| | VOE20480536 | 6 | | | | | | | Bearing | | ENG 695617 - STD 63,00 MM |
| | VOE20522433 | 6 | | | | | | | Bearing | | ENG 695617 - U SZ 62,75 MM |
| 5 | VOE20459144 | 1 | | | | | | | Insert | | |
| 6 | VOE20459143 | REQ | | | | | | | Washer | | STD WID 10 MM THICK 2,00 MM |
| | VOE20459142 | REQ | | | | | | | Thrust Washer | | WID 10 MM THICK 2,2 MM |
| 7 | VOE20882905 | 6 | | | | | | | Connecting Rod | | |
| 8 | VOE20459133 | 12 | | | | | | | •Bolt | | |
| 9 | VOE20459134 | 12 | | | | | | | •Pin | | |
| 10 | VOE20523284 | 6 | | | | | | | •Bushing | | |
| 11 | | 1 | | | | | | | Crankshaft Seal | | See ref 215/100 |
| 12 | VOE20459127 | 1 | | | | | SS | | Flywheel | | ENG - 876577 |
| | VOE20917910 | 1 | | | | | | | Flywheel | | ENG 876578 - |
| 13 | VOE20450830 | 1 | | | | | | | •Gear | | (VOE11700320) |
| 14 | VOE20450832 | 1 | | | | | | | •Labyrinth ring | | (VOE11700321) |
| 15 | VOE20450834 | 4 | | | | | | | •Screw | | (VOE11700322) |
| 16 | VOE20450835 | 10 | | | | | | | Screw | | (VOE11700307) |
| 17 | VOE20516985 | 1 | | | | | | | Pulley | | |
| 18 | VOE20450628 | 1 | | | | | | | Pin | | |
| 19 | VOE20405634 | 1 | | | | | | | Spring pin | | |
| 20 | VOE20459157 | 1 | | | | | | | Lock washer | | |
| 21 | VOE20450838 | 1 | | | | | | | Pin | | |
| 22 | VOE888289 | 3 | | | | | | | Hexagon screw | | |
| 23 | VOE20405724 | 4 | | | | | | | Screw | | |
| 24 | VOE20585446 | 1 | | | | | | | Vibration damper | | |
| 25 | VOE888289 | 9 | | | | | | | Hexagon screw | | |
| 26 | | 6 | | | | | | | Piston | | See ref 213/100 |
| 27 | VOE20460793 | 1 | | | | | | | Flange | | |
| 28 | VOE20459126 | 5 | | | | | | | Screw | | |

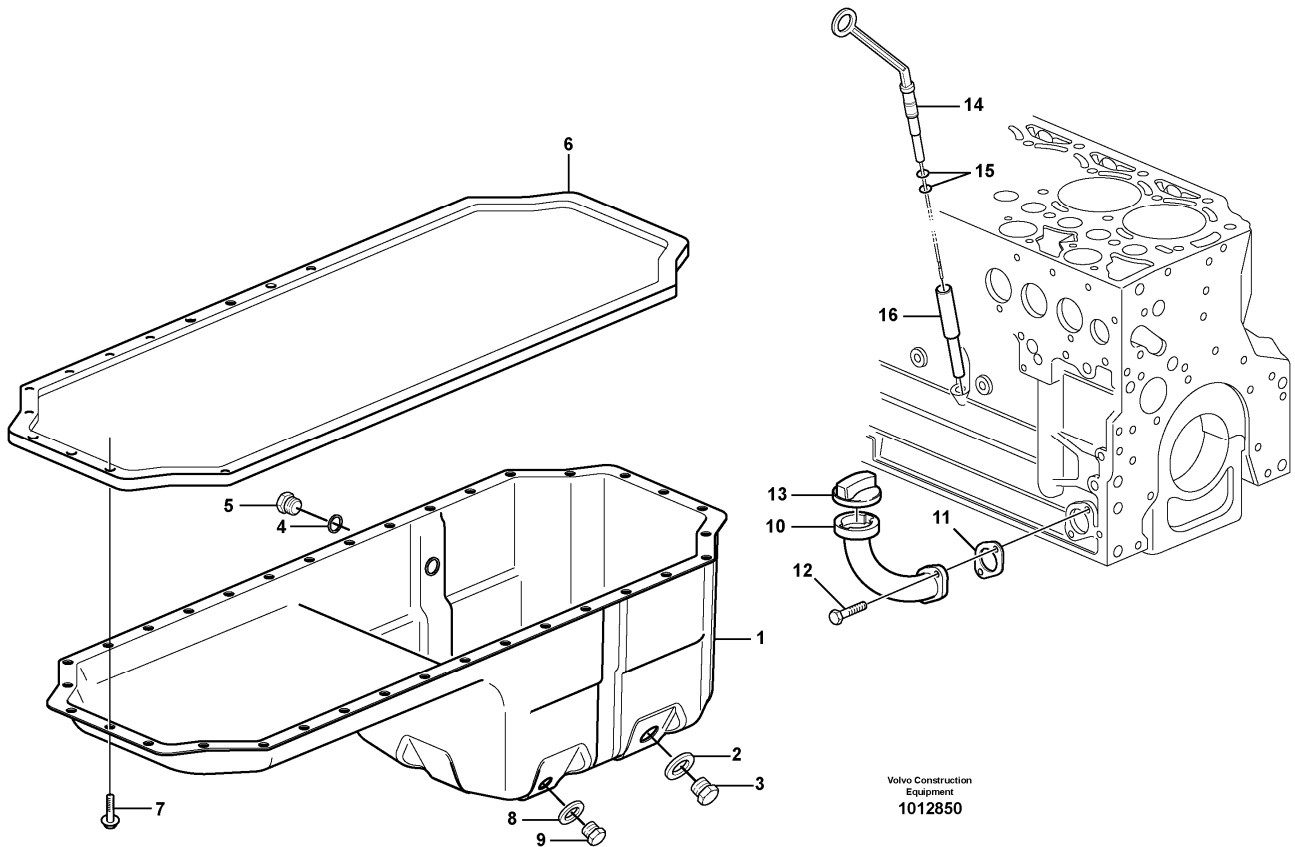
| | | | |
|---------------------------|---|----------------------------------|-----------------------------------|
| Date: 2014/2/19 | Image id: 1003671 | Catalogue: 20007 | Model: L90E |
| Brand: Volvo | Serial: 20001-22957, 66001-67953, 70801-71269 | Group/Section: 216/150 | Title: Flywheel housing |



| Section option | Kit | Option description |
|----------------|-----|-----------------------|
| VOE11172408 | | Engine VOLVO D6D LAE2 |

| Pos | Part | Q1 | Q2 | Q3 | Q4 | Q5 | PS | Kit | Description | Option(s) | Remark |
|-----|-------------|----|----|----|----|----|----|-----|------------------|-----------|---------------|
| 1 | VOE20459988 | 1 | | | | | | | Flywheel housing | | |
| 2 | VOE20450784 | 1 | | | | | | | •Labyrinth ring | | (VOE11700592) |
| 3 | VOE20459993 | 4 | | | | | | | O-ring | | |
| 4 | VOE20459994 | 1 | | | | | | | Sealing ring | | |
| 5 | VOE20450786 | 1 | | | | | | | Sealing ring | | (VOE11700599) |
| 6 | VOE20459991 | 3 | | | | | | | Screw | | |
| 7 | VOE20460931 | 2 | | | | | | | Screw | | |
| 8 | VOE20459995 | 4 | | | | | | | Screw | | |

| | | | |
|---------------------------|---|----------------------------------|---------------------------|
| Date: 2014/2/19 | Image id: 1012850 | Catalogue: 20007 | Model: L90E |
| Brand: Volvo | Serial: 20001-22957, 66001-67953, 70801-71269 | Group/Section: 217/100 | Title: Oil sump |

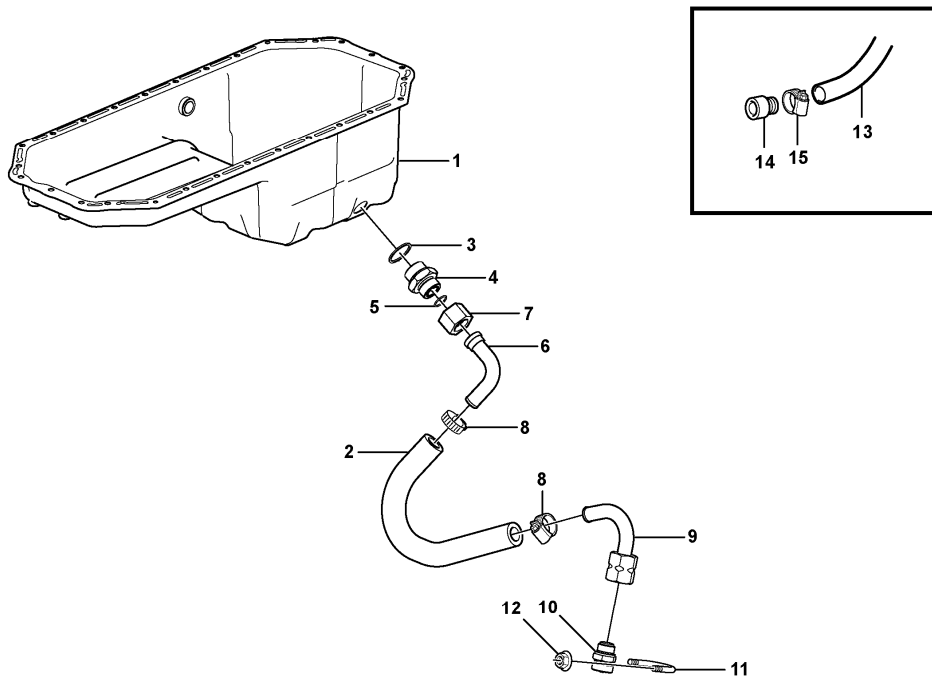


| Section option | Kit | Option description |
|----------------|-----|-----------------------|
| VOE11172408 | | Engine VOLVO D6D LAE2 |

| Pos | Part | Q1 | Q2 | Q3 | Q4 | Q5 | PS | Kit | Description | Option(s) | Remark |
|-----|-------------|----|----|----|----|----|----|-----|---------------|-----------|---------------|
| 1 | VOE20839076 | 1 | | | | | | | Oil Pan | | (VOE21109768) |
| 2 | VOE20496256 | 1 | | | | | | | •Gasket | | |
| 3 | VOE20496257 | 1 | | | | | | | •Plug | | |
| 4 | VOE20460026 | 1 | | | | | | | •Sealing ring | | |
| 5 | VOE20460024 | 1 | | | | | | | •Plug | | |
| 6 | VOE20460022 | 1 | | | | | | | Gasket | | |
| 7 | VOE20405792 | 28 | | | | | | | Screw | | |
| 8 | VOE11700303 | 1 | | | | | SS | | Seal | | (VOE7011998) |
| 9 | VOE20405506 | 1 | | | | | | | Plug | | |
| 10 | VOE20977060 | 1 | | | | | | | Tube | | |

| | | | | | | | | | | | |
|----|-------------|---|--|--|--|--|--|--|---------------|--|--|
| 11 | VOE20405825 | 1 | | | | | | | Gasket | | |
| 12 | VOE20405885 | 2 | | | | | | | Screw | | |
| 13 | VOE20405835 | 1 | | | | | | | Cap | | |
| 14 | VOE20564005 | 1 | | | | | | | Dipstick | | |
| 15 | VOE20412343 | 2 | | | | | | | •Sealing ring | | |
| 16 | VOE20459164 | 1 | | | | | | | Guide tube | | |

| | | | |
|---------------------------|---|----------------------------------|--|
| Date: 2014/2/19 | Image id: 1019351 | Catalogue: 20007 | Model: L90E |
| Brand: Volvo | Serial: 20001-22957, 66001-67953, 70801-71269 | Group/Section: 217/150 | Title: Drain line, oil sump STD, OPEN ROPS |



Volvo Construction
Equipment
1019351

| Section option | Kit | Option description |
|----------------|-----|-----------------------------|
| VOE33278 | | Wheel Loader |
| VOE33286 | | Wheel loader L90E OPEN ROPS |

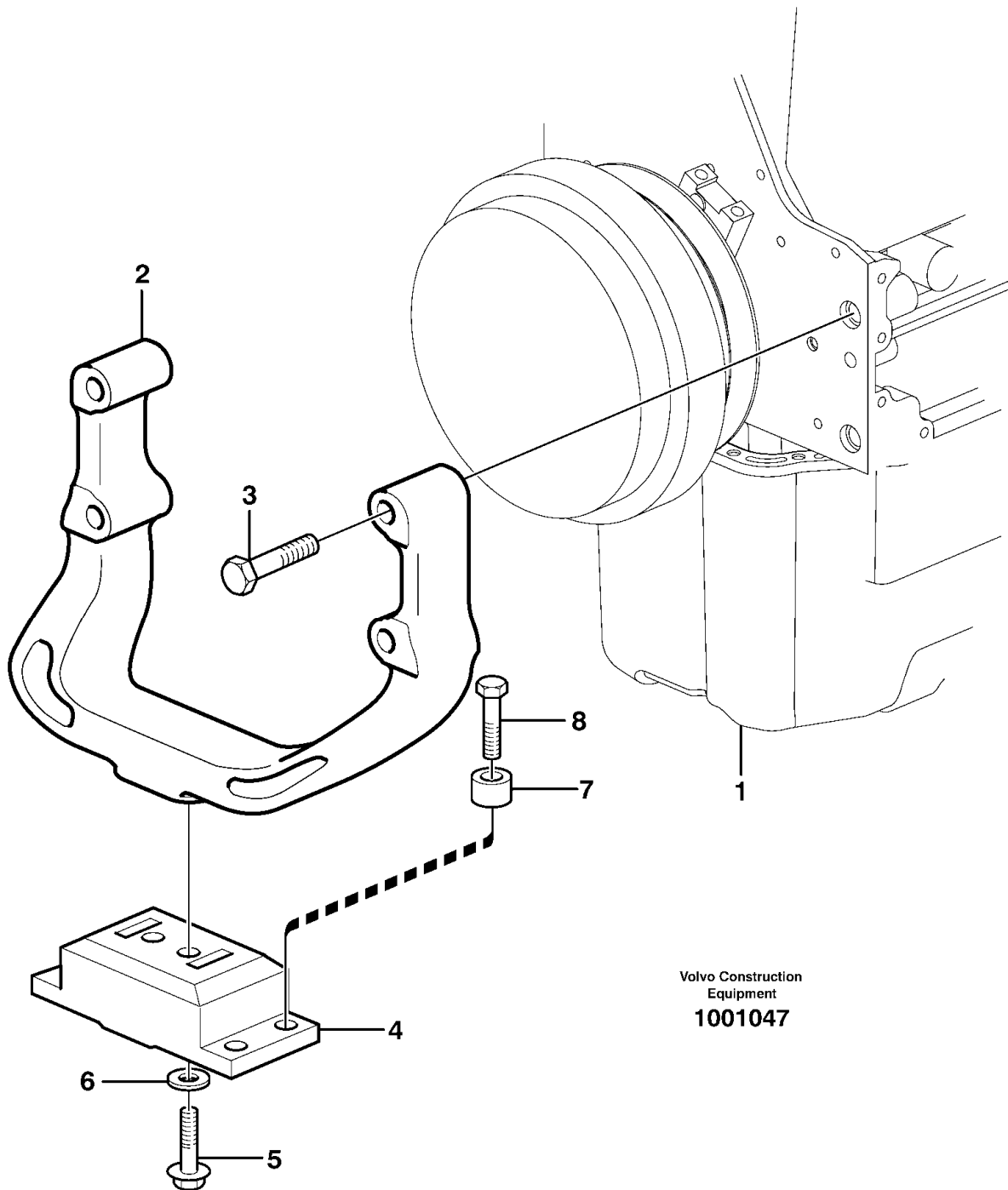
| Pos | Part | Q1 | Q2 | Q3 | Q4 | Q5 | PS | Kit | Description | Option(s) | Remark |
|-----|-------------|-----|----|----|----|----|----|-----|-------------|-----------|-----------------|
| 1 | | 1 | | | | | | | Oil Pan | | See ref 217/100 |
| 2 | VOE990769 | REQ | | | | | SE | | Hose | | L = 490 MM |
| 3 | VOE13947630 | 1 | | | | | | | Gasket | | |
| 4 | VOE11163064 | 1 | | | | | | | Nipple | | |
| 5 | VOE981289 | 1 | | | | | | | O-ring | | |
| 6 | VOE11410190 | 1 | | | | | | | Drain tube | | |
| 7 | VOE13933877 | 1 | | | | | | | Fitting nut | | |
| 8 | VOE943473 | 2 | | | | | | | Hose clamp | | |
| 9 | VOE11173508 | 1 | | | | | | | Drain tube | | |

| | | | | | | | | | | | |
|----|-------------|---|--|--|--|--|--|--|-----------------|--|--|
| 10 | VOE11054692 | 1 | | | | | | | Valve | | |
| 11 | VOE11130269 | 1 | | | | | | | Clamp | | |
| 12 | VOE948645 | 2 | | | | | | | Flange lock nut | | |
| 13 | VOE11154125 | 1 | | | | | | | Hose | | |
| 14 | VOE11054659 | 1 | | | | | | | Connector | | |
| 15 | VOE943473 | 1 | | | | | | | Hose clamp | | |

VOLVO

Construction Equipment

| | | | |
|---------------------------|---|----------------------------------|---|
| Date: 2014/2/19 | Image id: 1001047 | Catalogue: 20007 | Model: L90E |
| Brand: Volvo | Serial: 20001-22957, 66001-67953, 70801-71269 | Group/Section: 218/100 | Title: Engine mounting STD, OPEN ROPS |



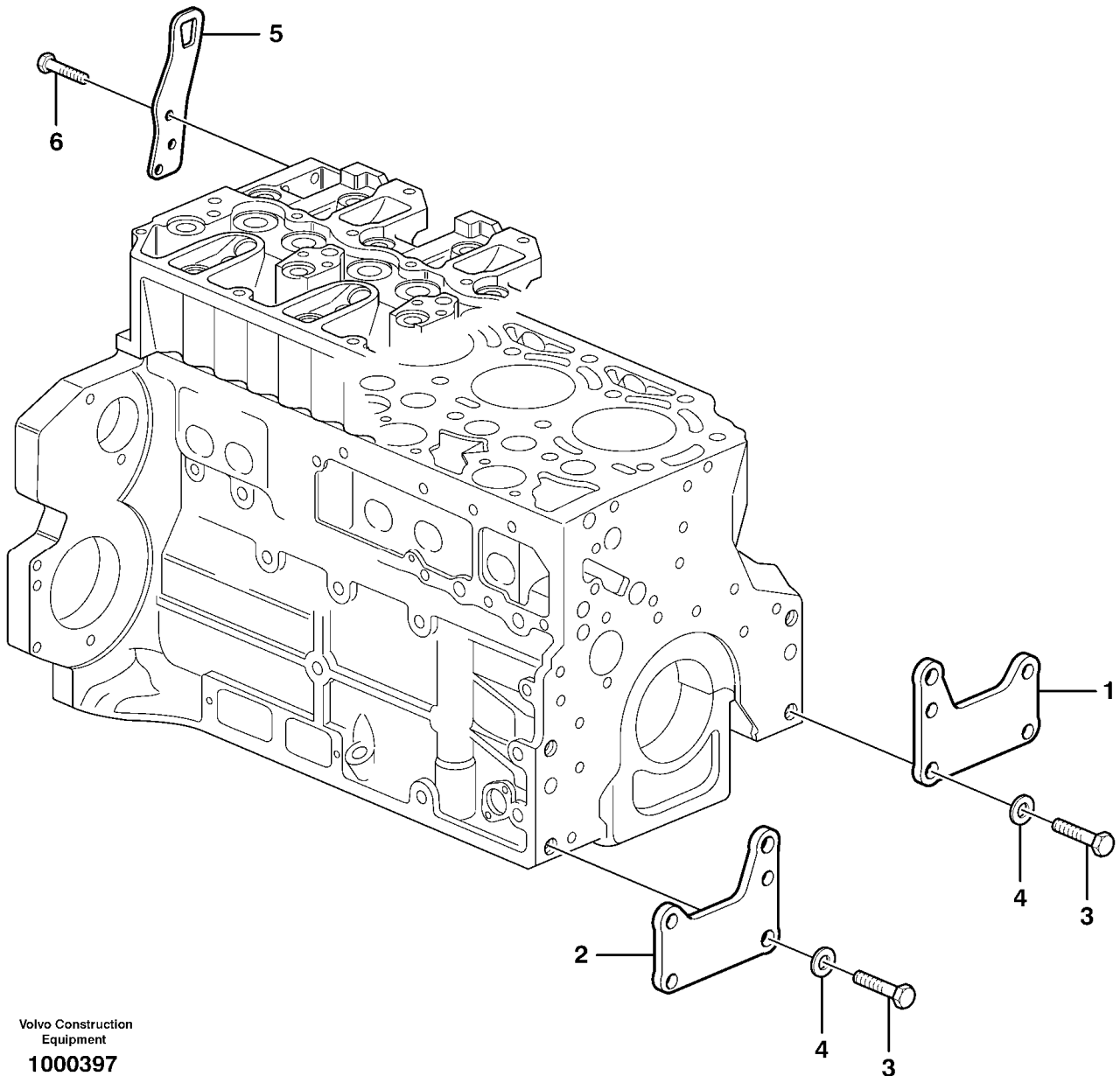
Volvo Construction
Equipment
1001047

| Section option | Kit | Option description |
|----------------|-----|--------------------|
| VOE33278 | | Wheel Loader |

| | | |
|----------|--|-----------------------------|
| VOE33286 | | Wheel loader L90E OPEN ROPS |
|----------|--|-----------------------------|

| Pos | Part | Q1 | Q2 | Q3 | Q4 | Q5 | PS | Kit | Description | Option(s) | Remark |
|-----|-------------|----|----|----|----|----|----|-----|------------------|-----------|-----------------|
| 1 | | 1 | | | | | | | Engine | | See ref 210/100 |
| 2 | VOE11172117 | 1 | | | | | | | Engine anchorage | | |
| 3 | VOE963320 | 4 | | | | | | | Hexagon screw | | |
| 4 | VOE20503551 | 1 | | | | | | | Rubber cushion | | |
| 5 | VOE13966362 | 2 | | | | | | | Flange screw | | |
| 6 | VOE930844 | 2 | | | | | | | Washer | | |
| 7 | VOE11025923 | 4 | | | | | | | Spacer | | |
| 8 | VOE13965193 | 4 | | | | | | | Screw | | |

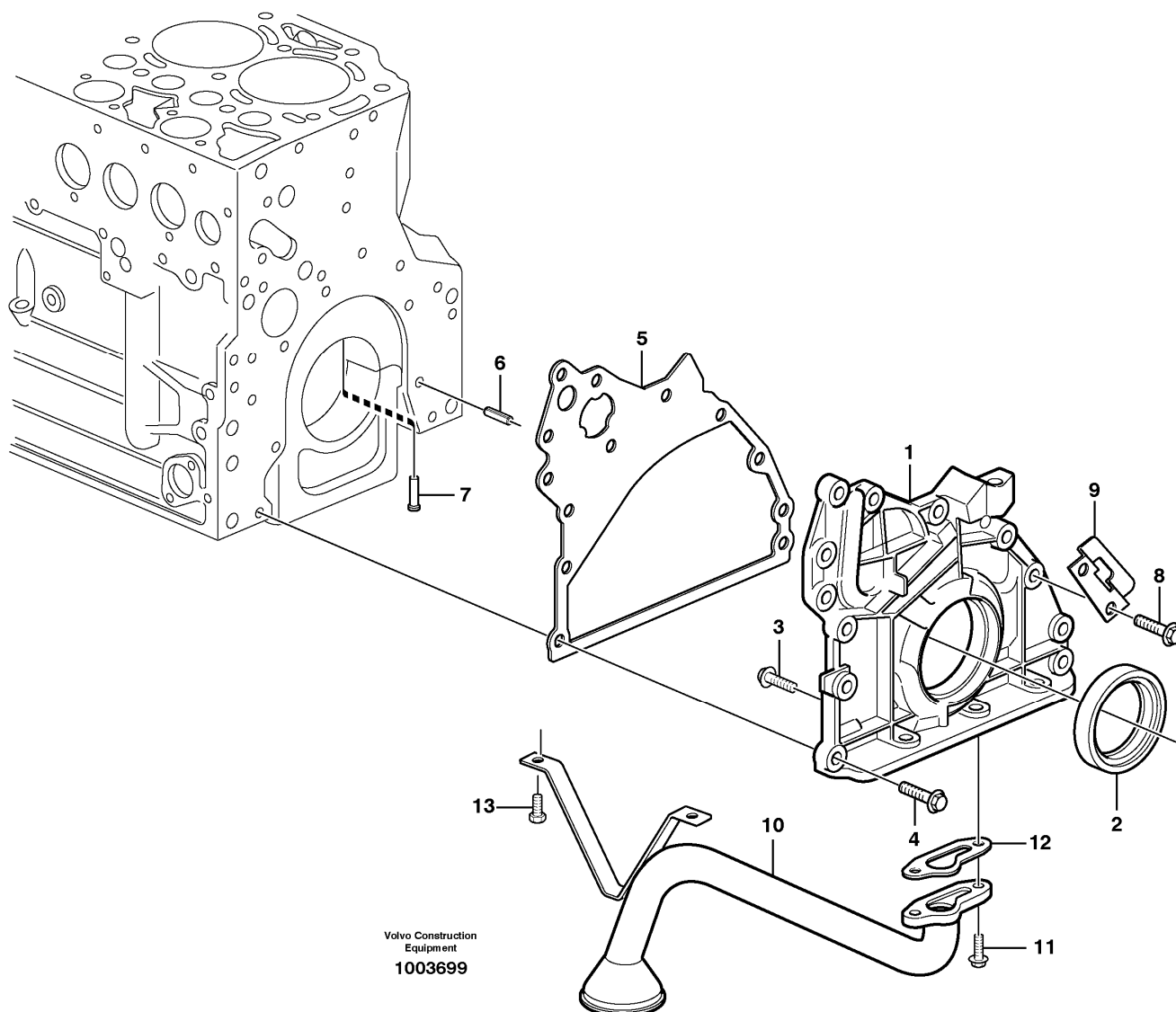
| | | | |
|---------------------------|---|----------------------------------|---|
| Date: 2014/2/19 | Image id: 1000397 | Catalogue: 20007 | Model: L90E |
| Brand: Volvo | Serial: 20001-22957, 66001-67953, 70801-71269 | Group/Section: 218/150 | Title: Engine mounting 11172408 |



Volvo Construction
Equipment
1000397

| Pos | Part | Q1 | Q2 | Q3 | Q4 | Q5 | PS | Kit | Description | Option(s) | Remark |
|-----|-------------|----|----|----|----|----|----|-----|-------------|-----------|--------|
| 1 | VOE20723978 | 1 | | | | | | | Bracket | | |
| 2 | VOE20723984 | 1 | | | | | | | Bracket | | |
| 3 | VOE20535027 | 4 | | | | | | | Screw | | |
| 4 | VOE20405606 | 4 | | | | | | | Washer | | |
| 5 | VOE20450854 | 2 | | | | | OP | | Lifting eye | | |

| | | | |
|---------------------------|---|----------------------------------|---|
| Date: 2014/2/19 | Image id: 1003699 | Catalogue: 20007 | Model: L90E |
| Brand: Volvo | Serial: 20001-22957, 66001-67953, 70801-71269 | Group/Section: 221/100 | Title: Lubricating oil system |

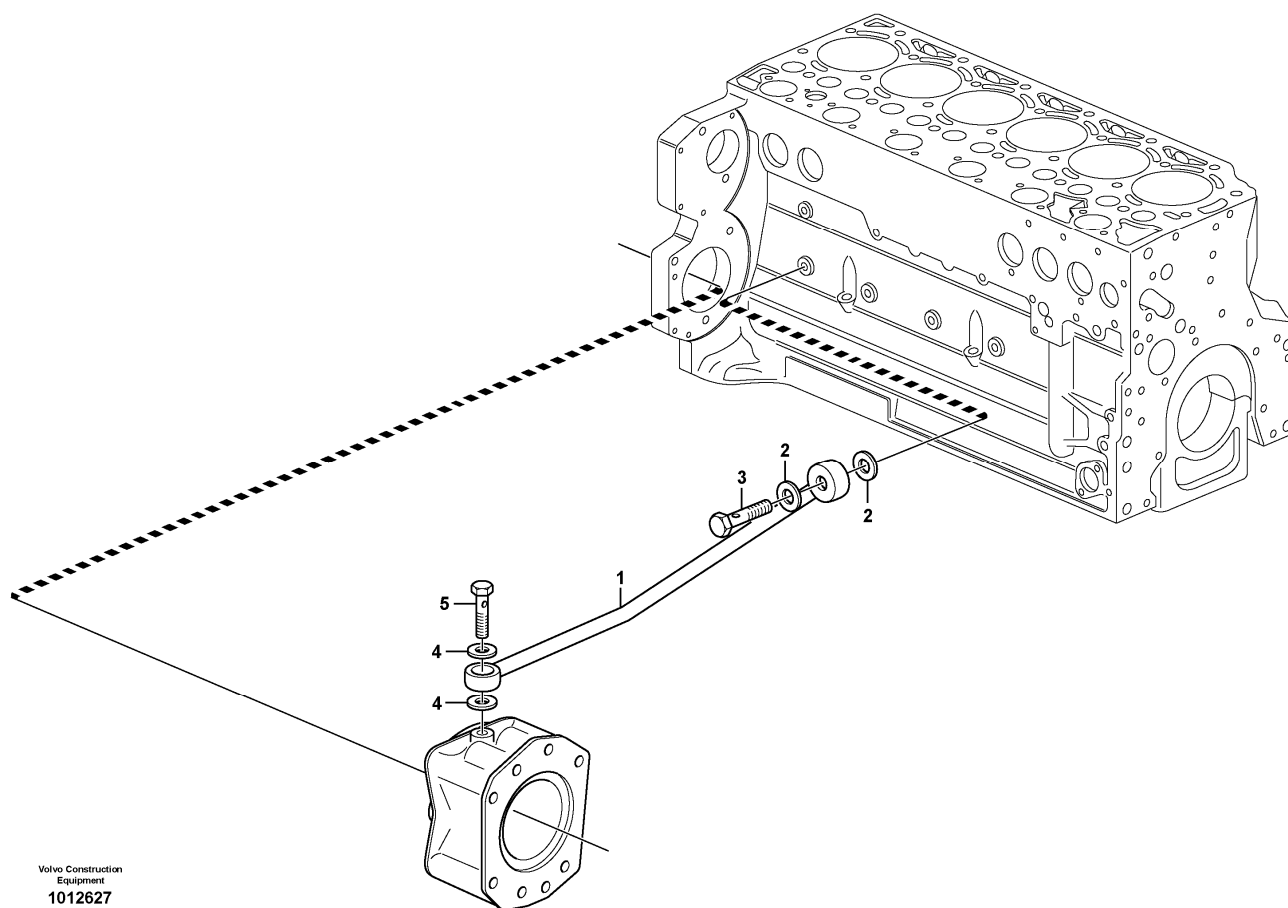


| Section option | Kit | Option description |
|----------------|-----|-----------------------|
| VOE11172408 | | Engine VOLVO D6D LAE2 |

| Pos | Part | Q1 | Q2 | Q3 | Q4 | Q5 | PS | Kit | Description | Option(s) | Remark |
|-----|-------------|----|----|----|----|----|----|-----|------------------|-----------|--------------|
| 1 | VOE20502113 | 1 | | | | | SS | | Oil pump | | ENG - 912541 |
| | VOE20574451 | 1 | | | | | | | Oil Pump | | ENG 912542 - |
| 2 | VOE20459168 | 1 | | | | | | | •Crankshaft seal | | |
| 3 | VOE20451738 | 8 | | | | | | | •Screw | | |
| 4 | VOE20412324 | 10 | | | | | | | Screw | | |

| | | | | | | | | | | | |
|----|-------------|---|--|--|--|--|--|--|------------|--|---------------|
| 5 | VOE20537029 | 1 | | | | | | | Gasket | | (VOE20459161) |
| 6 | VOE20405603 | 1 | | | | | | | Spring pin | | |
| 7 | VOE20405561 | 6 | | | | | | | Piston | | |
| 8 | VOE20739886 | 2 | | | | | | | Screw | | |
| 9 | VOE20557401 | 1 | | | | | | | Bracket | | ENG - 912541 |
| | VOE20739882 | 1 | | | | | | | Bracket | | ENG 912542 - |
| 10 | VOE20496392 | 1 | | | | | | | Oil pipe | | |
| 11 | VOE20405709 | 2 | | | | | | | Screw | | |
| 12 | VOE20405888 | 1 | | | | | | | Gasket | | (VOE11700391) |
| 13 | VOE13949578 | 2 | | | | | | | Screw | | |

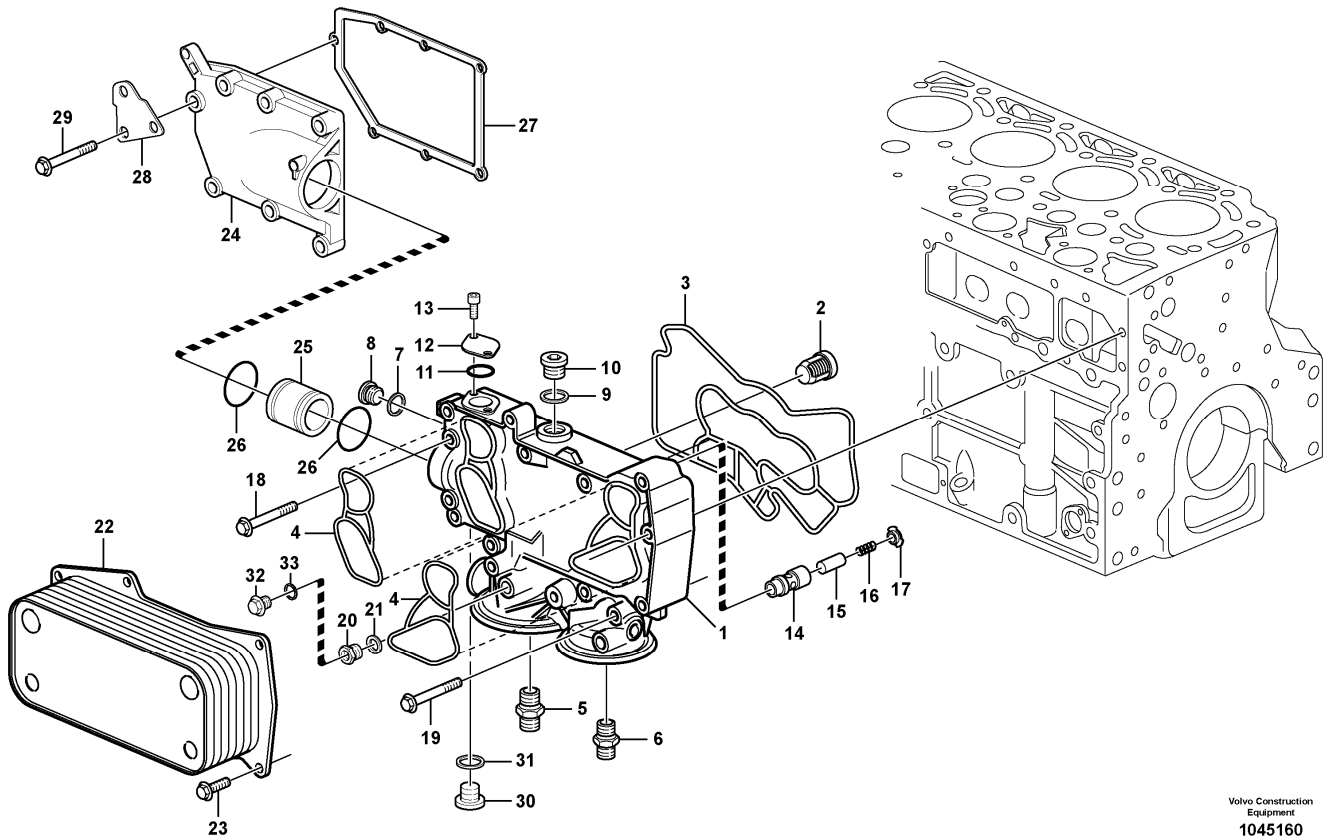
| | | | |
|---------------------------|---|----------------------------------|---|
| Date: 2014/2/19 | Image id: 1012627 | Catalogue: 20007 | Model: L90E |
| Brand: Volvo | Serial: 20001-22957, 66001-67953, 70801-71269 | Group/Section: 221/200 | Title: Lubricating oil system |



| Section option | Kit | Option description |
|----------------|-----|--------------------|
| VOE14524530 | | Engine |

| Pos | Part | Q1 | Q2 | Q3 | Q4 | Q5 | PS | Kit | Description | Option(s) | Remark |
|-----|-------------|----|----|----|----|----|----|-----|--------------|-----------|---------------|
| 1 | VOE20459170 | 1 | | | | | | | Oil pipe | | |
| 2 | VOE13947621 | 2 | | | | | | | Plane gasket | | |
| 3 | VOE20460936 | 1 | | | | | | | Hollow screw | | |
| 4 | VOE13947281 | 2 | | | | | | | Gasket | | |
| 5 | VOE7025167 | 1 | | | | | | | Hollow screw | | (VOE20460231) |

| | | | |
|---------------------------|---|----------------------------------|-----------------------------|
| Date: 2014/2/19 | Image id: 1045160 | Catalogue: 20007 | Model: L90E |
| Brand: Volvo | Serial: 20001-22957, 66001-67953, 70801-71269 | Group/Section: 223/100 | Title: Oil cooler |



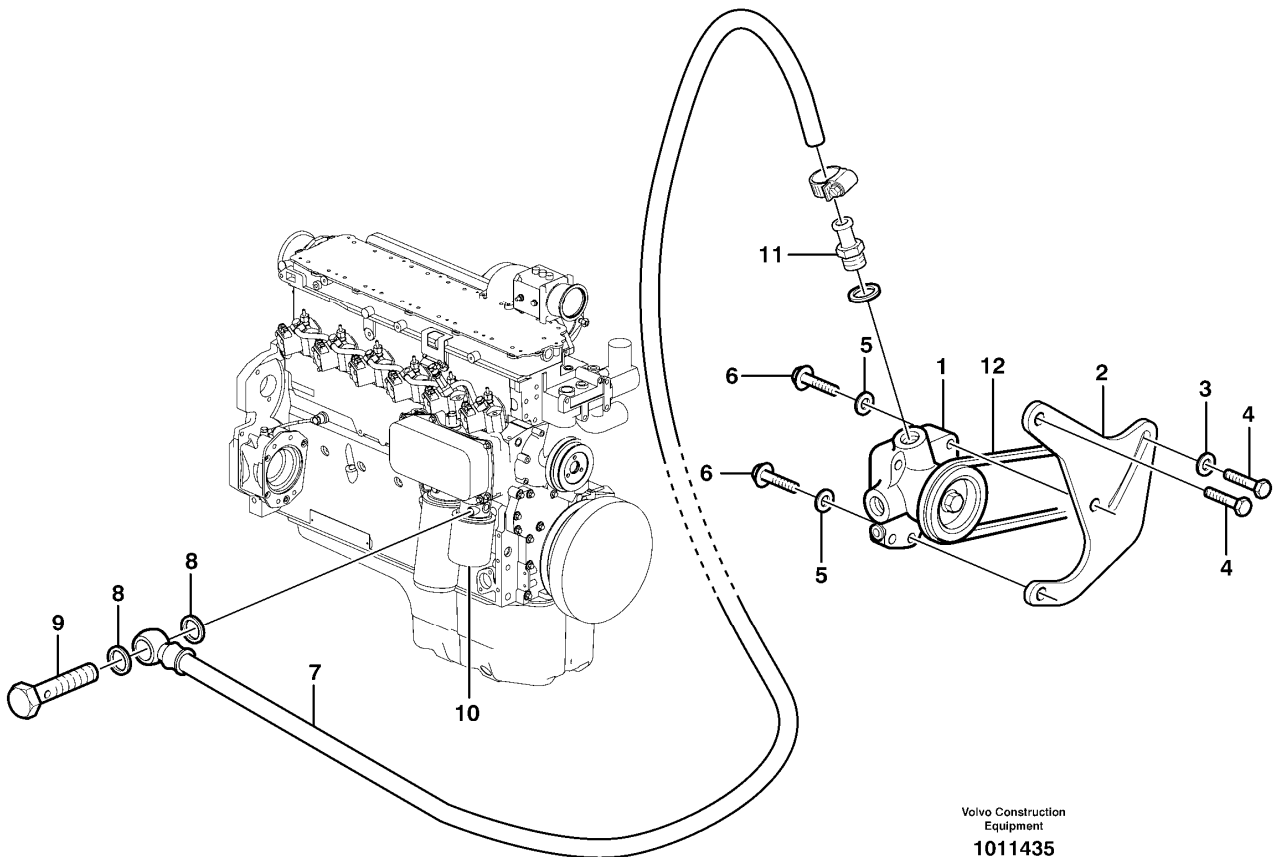
Volvo Construction
Equipment
1045160

| Section option | Kit | Option description |
|----------------|-----|-----------------------|
| VOE11172408 | | Engine VOLVO D6D LAE2 |

| Pos | Part | Q1 | Q2 | Q3 | Q4 | Q5 | PS | Kit | Description | Option(s) | Remark |
|-----|-------------|----|----|----|----|----|----|-----|---------------|-----------|--------|
| 1 | VOE21099784 | 1 | | | | | | | Oil cooler | | |
| 2 | VOE20459204 | 1 | | | | | | | •Valve | | |
| 3 | VOE20459203 | 1 | | | | | | | •Gasket | | |
| 4 | VOE20459202 | 2 | | | | | | | •Gasket | | |
| 5 | VOE20459201 | 1 | | | | | | | •Nipple | | |
| 6 | VOE20459200 | 1 | | | | | | | •Nipple | | |
| 7 | VOE13947622 | 1 | | | | | | | •Plane gasket | | |
| 8 | VOE20502245 | 1 | | | | | | | •Screw plug | | |
| 9 | VOE13947628 | 1 | | | | | | | •Plane gasket | | |
| 10 | VOE20459195 | 1 | | | | | | | •Plug | | |

| | | | | | | | | | | | |
|----|-------------|---|--|--|--|--|----|--|-----------------|--|--|
| 10 | VOE20496519 | 1 | | | | | | | Nipple | | |
| 11 | VOE20405599 | 1 | | | | | | | •Sealing ring | | |
| 12 | VOE21072778 | 1 | | | | | | | •Flange | | |
| 13 | VOE20405885 | 2 | | | | | | | •Screw | | |
| 14 | | 1 | | | | | NS | | •Valve seat | | |
| 15 | | 1 | | | | | NS | | •Plunger | | |
| 16 | | 1 | | | | | NS | | •Spring | | |
| 17 | | 1 | | | | | NS | | •Sleeve | | |
| 18 | VOE20405672 | 5 | | | | | | | •Screw | | |
| 19 | VOE20405917 | 3 | | | | | | | •Screw | | |
| 20 | VOE21100412 | 1 | | | | | | | •Screw | | |
| 21 | VOE13969011 | 1 | | | | | | | •Gasket | | |
| 22 | VOE20511773 | 1 | | | | | | | Oil cooler | | |
| 23 | VOE20405885 | 7 | | | | | | | Screw | | |
| 24 | VOE20796351 | 1 | | | | | | | Tank | | |
| 25 | VOE20459191 | 1 | | | | | | | Plug | | |
| 26 | VOE20459193 | 2 | | | | | | | Sealing ring | | |
| 27 | VOE20459192 | 1 | | | | | | | Gasket | | |
| 28 | VOE20914901 | 1 | | | | | | | Retaining Plate | | |
| 29 | VOE20412324 | 7 | | | | | | | Screw | | |
| 30 | VOE888474 | 1 | | | | | | | Plug | | |
| 31 | VOE20450890 | 1 | | | | | | | Sealing ring | | |
| 32 | VOE20450895 | 1 | | | | | | | Plug | | E PROD - 01/2007 |
| 32 | VOE21011809 | 1 | | | | | | | Plug | | L PROD 02/2007 - INCL. SEALING RING |
| 33 | VOE13947281 | 1 | | | | | | | Gasket | | E PROD - 01/2007 |

| | | | |
|---------------------------|---|----------------------------------|----------------------------|
| Date: 2014/2/19 | Image id: 1011435 | Catalogue: 20007 | Model: L90E |
| Brand: Volvo | Serial: 20001-22957, 66001-67953, 70801-71269 | Group/Section: 233/100 | Title: Fuel pump |



| Section option | Kit | Option description |
|----------------|-----|-----------------------|
| VOE11172408 | | Engine VOLVO D6D LAE2 |

| Pos | Part | Q1 | Q2 | Q3 | Q4 | Q5 | PS | Kit | Description | Option(s) | Remark |
|-----|-------------|----|----|----|----|----|----|-----|---------------|-----------|-----------------------------|
| 1 | VOE20497044 | 1 | | | | | | | Fuel pump | | |
| 2 | VOE20880927 | 1 | | | | | | | Bracket | | (VOE20460032)ENG - 01099408 |
| 2 | VOE20880927 | 1 | | | | | | | Bracket | | ENG 01099409 - |
| 3 | VOE20405734 | 1 | | | | | | | Washer | | |
| 4 | VOE20441860 | 2 | | | | | | | Screw | | (VOE20498595) |
| 5 | VOE20460063 | 2 | | | | | | | Spring washer | | |
| 6 | VOE13949578 | 2 | | | | | | | Screw | | |
| 7 | VOE20460044 | 1 | | | | | | | Fuel pipe | | |
| 8 | VOE976929 | 2 | | | | | | | Gasket | | |

Thank you so much for reading.
Please click the “Buy Now!”
button below to download the
complete manual.



After you pay.

You can download the most
perfect and complete manual in
the world immediately.

Our support email:

ebooklibonline@outlook.com