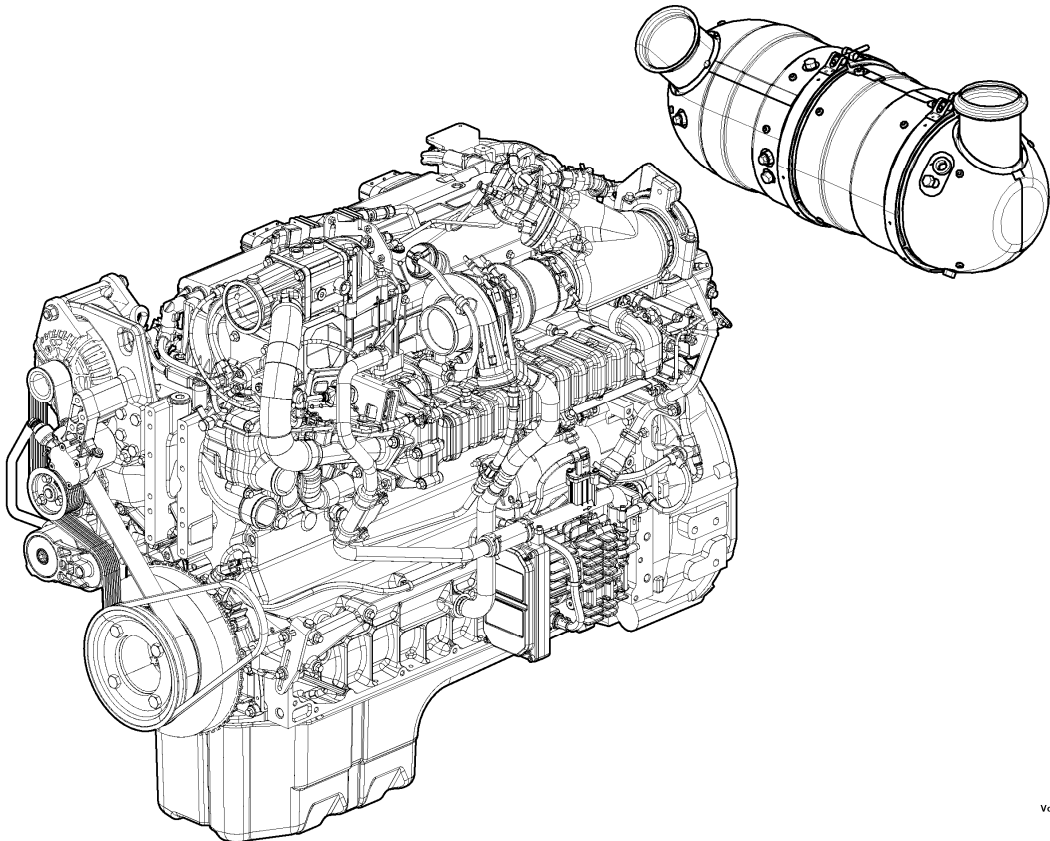


Date: <b>2014/2/20</b>	Image id: <b>1063852</b>	Catalogue: <b>20645</b>	Model: <b>L90G</b>
Brand: <b>Volvo</b>	Serial: <b>2008-</b>	Group/Section: <b>210/100</b>	Title: <b>Engine 85110, 85113</b>

1



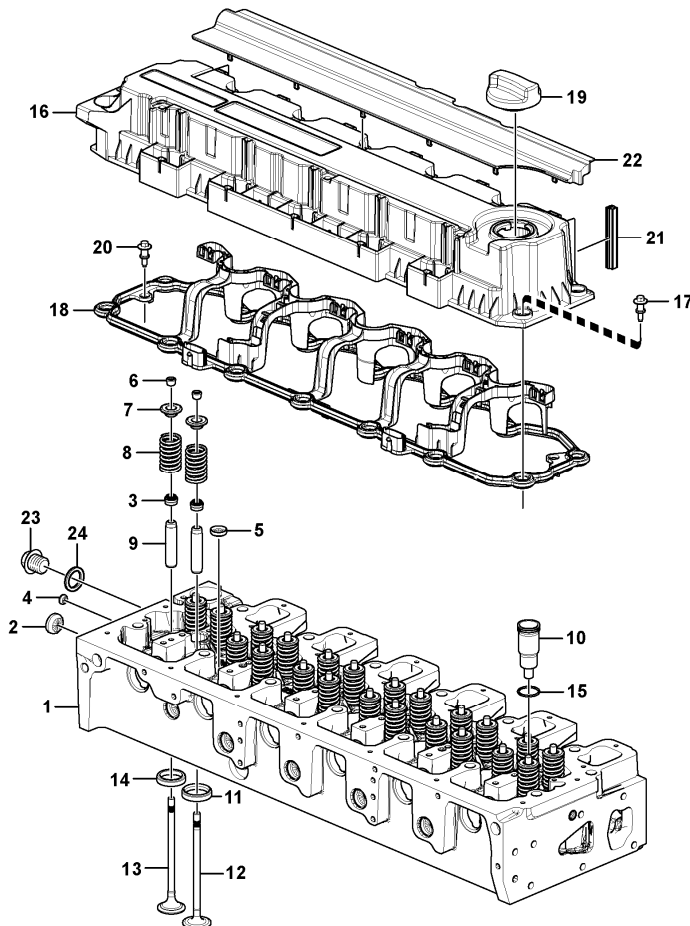
Volvo Construction  
Equipment  
1063852

Section option	Kit	Option description
VOE15083691		Engine D6H , US
VOE15165678		Engine D6H , EU
VOE85110		Engine Installation D6HLAE4, EU
VOE85113		Engine Installation D6HLAE4, US

Q1-Q5	Option	Option description	
Q1 85110	VOE85110	Engine Installation D6HLAE4, EU	
Q2 85113	VOE85113	Engine Installation D6HLAE4, US	

Pos	Part	Q1	Q2	Q3	Q4	Q5	PS	Kit	Description	Option(s)	Remark
1	VOE15165678	1							Engine		EU
1	VOE15083691		1						Engine		US

Date: <b>2014/2/20</b>	Image id: <b>1060237</b>	Catalogue: <b>20645</b>	Model: <b>L90G</b>
Brand: <b>Volvo</b>	Serial: <b>2008-</b>	Group/Section: <b>211/100</b>	Title: <b>Cylinder head 85110, 85113</b>



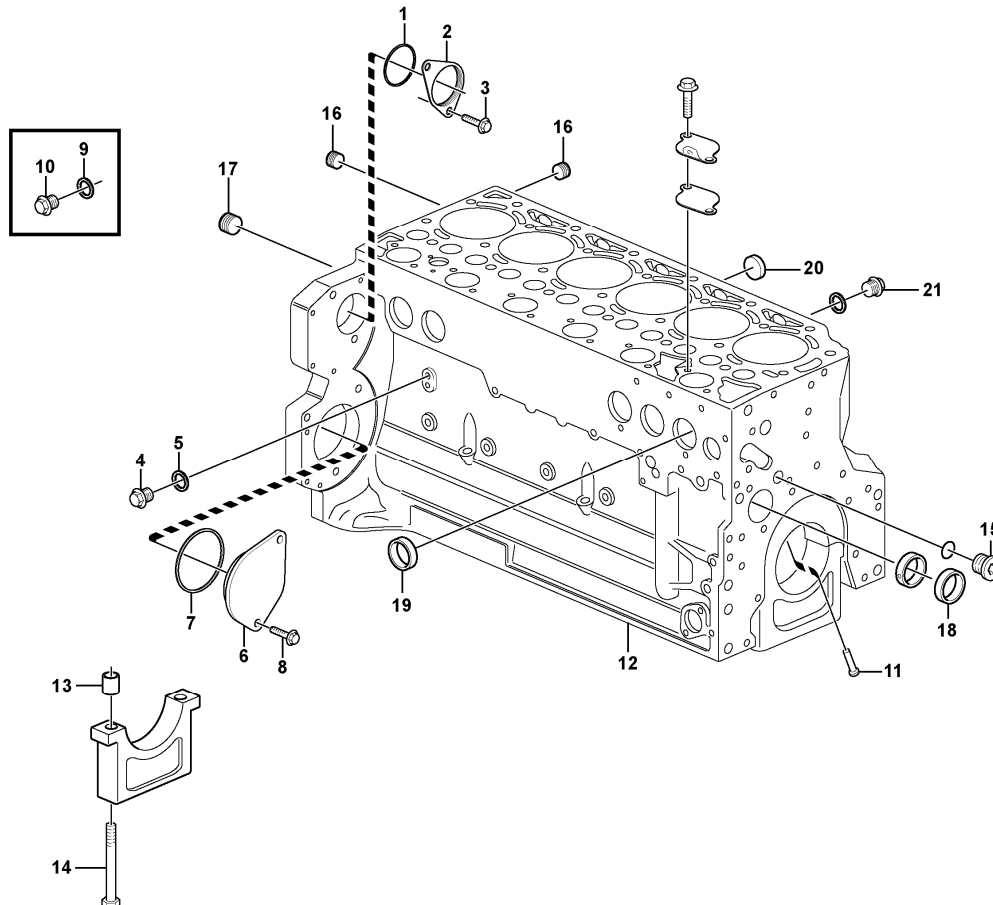
Volvo Construction  
Equipment  
1060237

Section option	Kit	Option description
VOE15083691		Engine D6H , US
VOE15165678		Engine D6H , EU
VOE85110		Engine Installation D6HLAE4, EU
VOE85113		Engine Installation D6HLAE4, US

Pos	Part	Q1	Q2	Q3	Q4	Q5	PS	Kit	Description	Option(s)	Remark
1	VOE21753879	1							Cylinder head		
2	VOE20834024	6							•Cap plug		
3	VOE20459855	24							•Valve seal		
4	VOE20914266	2							•Core Plug		
5	VOE20412733	16							•Core plug		
6	VOE20459857	48							•Valve sleeve		
7	VOE20788860	24							•Cap		
8	VOE21775124	24							•Valve spring		
9	VOE21705499	24							•Valve guide		

10	VOE20903104	6							•Sleeve		
11	VOE21775154	12							•Valve insert		
12	VOE21770957	12							•Inlet valve		
13	VOE21770981	12							•Exhaust valve		
14	VOE21775149	12							•Valve insert		
15	VOE20903092	6							•O-ring		
16	VOE21772081	1							Valve cover		
17	VOE21774068	16							•Brace screw		
18	VOE21770879	1							Gasket		
19	VOE20412589	1							Filler cap		
20	VOE21774068	2							Brace screw		
21	VOE21774740	1							Cover strip		
22	VOE21775052	1							•Sealing cup		
23	VOE20405716	1							Plug		
24	VOE13947621	1							Plane gasket		

Date: <b>2014/2/20</b>	Image id: <b>1060238</b>	Catalogue: <b>20645</b>	Model: <b>L90G</b>
Brand: <b>Volvo</b>	Serial: <b>2008-</b>	Group/Section: <b>212/100</b>	Title: <b>Cylinder block 85110, 85113</b>



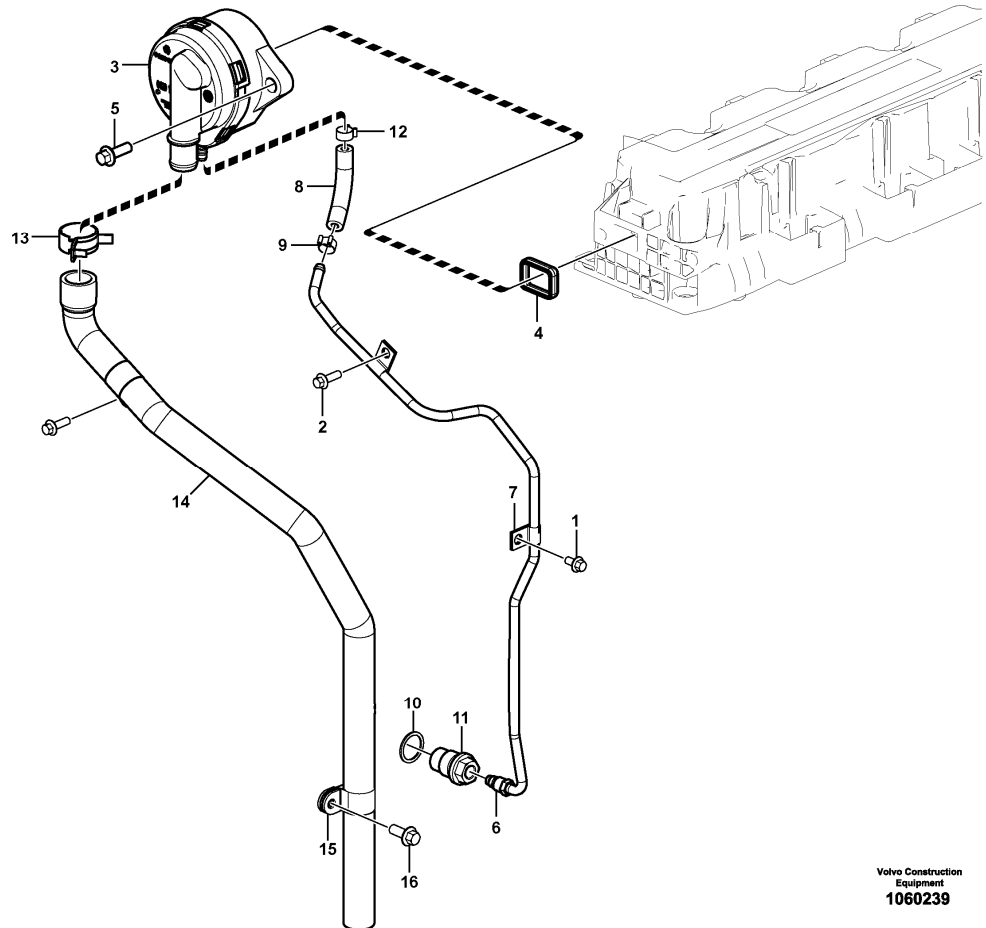
Volvo Construction  
Equipment  
1060238

Section option	Kit	Option description
VOE15083691		Engine D6H , US
VOE15165678		Engine D6H , EU
VOE85110		Engine Installation D6HLAE4, EU
VOE85113		Engine Installation D6HLAE4, US

Pos	Part	Q1	Q2	Q3	Q4	Q5	PS	Kit	Description	Option(s)	Remark
1	VOE20580547	1							Sealing ring		
2	VOE20580550	1					NS		Cover		
3	VOE888289	2							Hexagon screw		
4	VOE20405716	1							Plug		
5	VOE13947621	1							Plane gasket		
6	VOE24426064	1							Cover		
7	VOE20412359	1							Sealing ring		
8	VOE888289	2							Hexagon screw		
9	VOE13947281	1							Gasket		

10	VOE20441859	1							Plug		
11	VOE20405561	6							Piston		
12	VOE11700258	1							Plug		
13	VOE20460001	14							•Bushing		
14	VOE20460006	14							•Screw		
15	VOE20998904	1							•Plug		
16	VOE20508600	2							•Plug		
17	VOE20785813	1							•Plug		
18	VOE20459999	6							•Camshaft bushing		
19	VOE20405721	9							•Core plug		
20	VOE20412745	6							•Core plug		
21	VOE20405716	2							•Plug		

Date: <b>2014/2/20</b>	Image id: <b>1060239</b>	Catalogue: <b>20645</b>	Model: <b>L90G</b>
Brand: <b>Volvo</b>	Serial: <b>2008-</b>	Group/Section: <b>212/150</b>	Title: <b>Crankcase ventilation 85110, 85113</b>



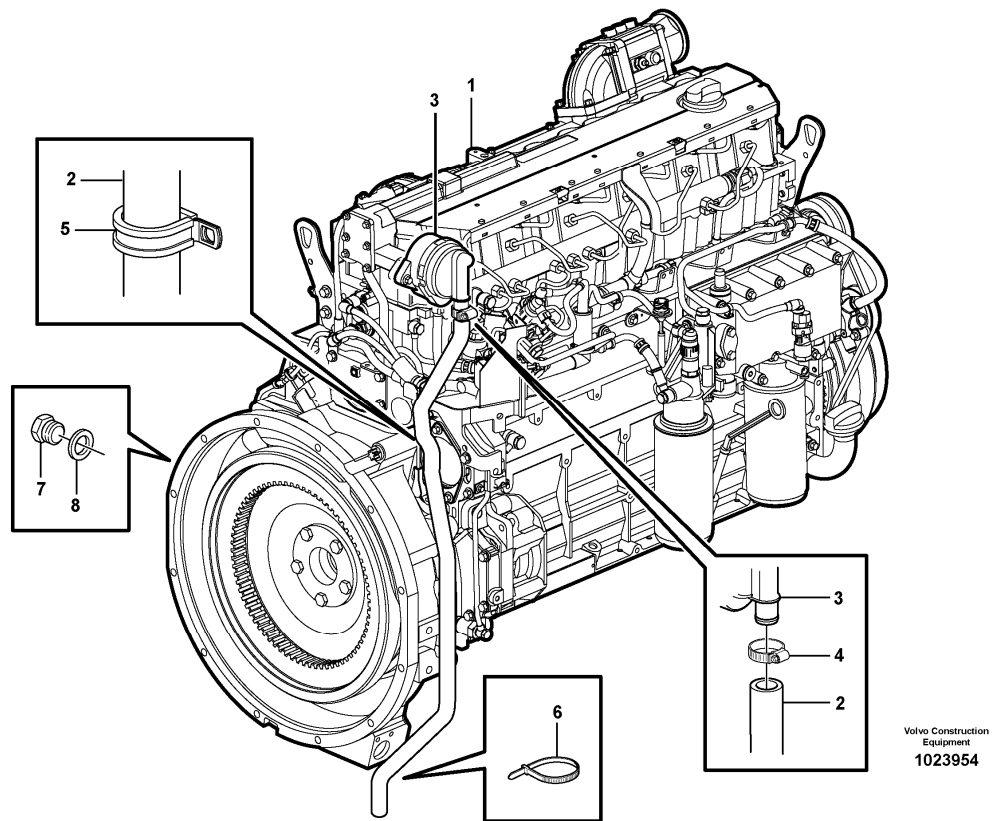
Volvo Construction  
Equipment  
1060239

Section option	Kit	Option description
VOE15083691		Engine D6H , US
VOE15165678		Engine D6H , EU
VOE85110		Engine Installation D6HLAE4, EU
VOE85113		Engine Installation D6HLAE4, US

Pos	Part	Q1	Q2	Q3	Q4	Q5	PS	Kit	Description	Option(s)	Remark
1	VOE20405729	1							Screw		
2	VOE20450728	1							Bolt		
3	VOE20930510	1							Pressure regulator		
4	VOE21038626	1							•Gasket		
5	VOE20405504	2							Screw		
6	VOE21772197	1							Leak-off line		
7	VOE20798831	2							Clamp		
8	VOE20971632	1							Rubber hose		
9	VOE20405568	1							Clip		



Date: <b>2014/2/20</b>	Image id: <b>1023954</b>	Catalogue: <b>20645</b>	Model: <b>L90G</b>
Brand: <b>Volvo</b>	Serial: <b>2008-</b>	Group/Section: <b>212/300</b>	Title: <b>Crankcase ventilation 33007</b>

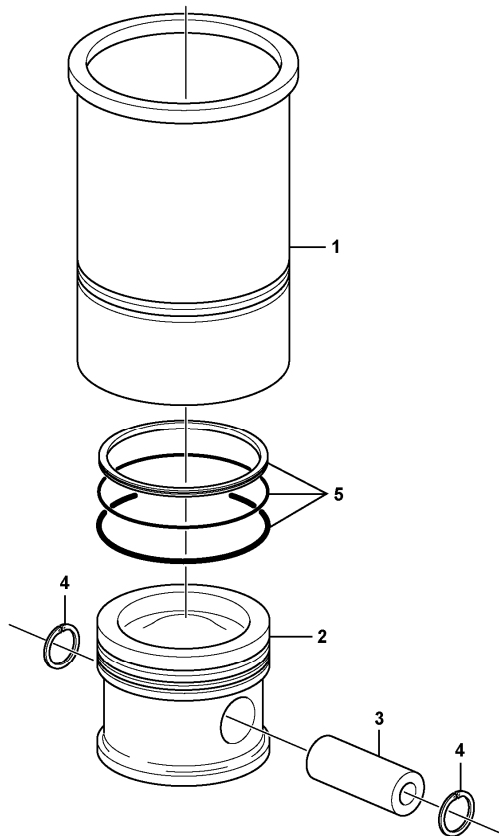


Section option	Kit	Option description
VOE33007		Wheel Loader L90G

Pos	Part	Q1	Q2	Q3	Q4	Q5	PS	Kit	Description	Option(s)	Remark
1	VOE15165678	1							Engine		See ref 210/100
	VOE15083691	1							Engine		See ref 210/100
2	VOE16818748	1							Air vent hose		
3	VOE20930510	1							Pressure regulator		See ref 212/150
4	VOE13943474	1							Hose clamp		
5	VOE13949997	1							Clamp		
6	VOE4881440	1							Cable tie		
7	VOE11173944	6							Plug		
8	VOE13947282	6							Gasket		



Date: <b>2014/2/20</b>	Image id: <b>1024633</b>	Catalogue: <b>20645</b>	Model: <b>L90G</b>
Brand: <b>Volvo</b>	Serial: <b>2008-</b>	Group/Section: <b>213/100</b>	Title: <b>Cylinder liner and piston 85110, 85113</b>

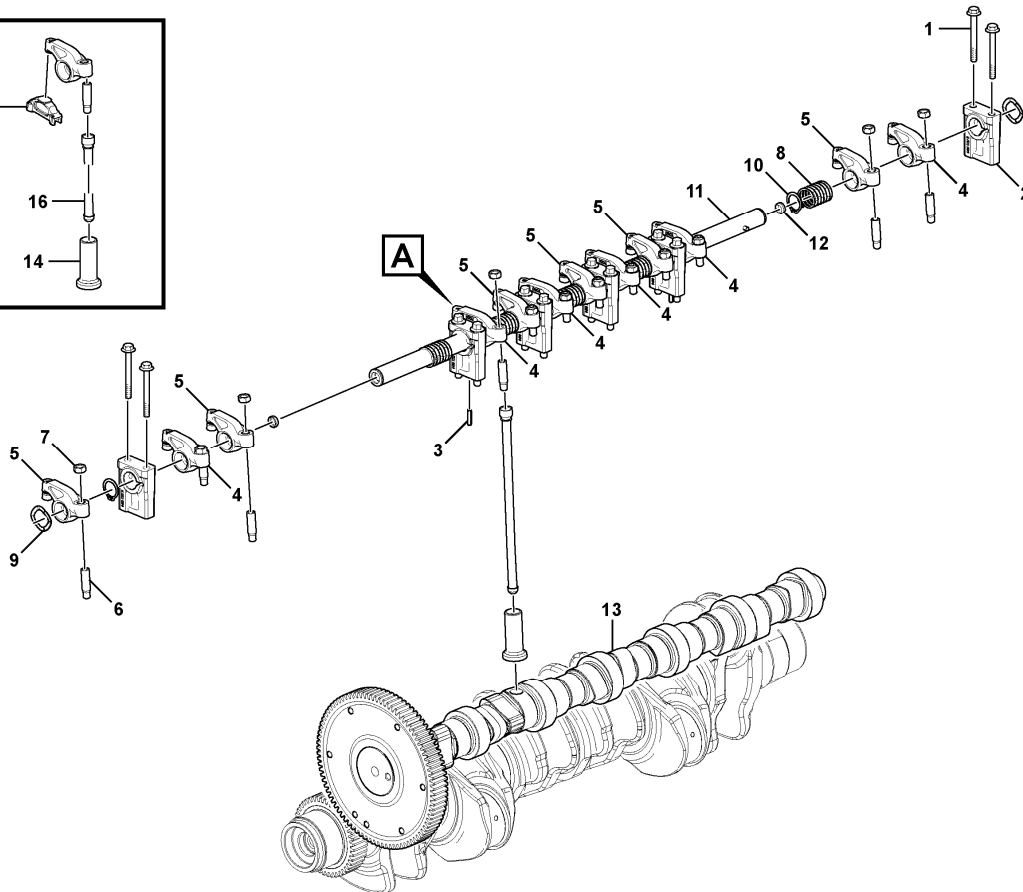
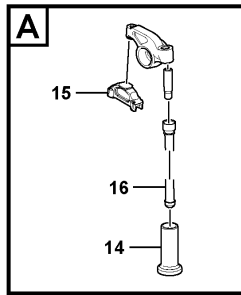


Volvo Construction  
Equipment  
1024633

Section option	Kit	Option description
VOE15083691		Engine D6H , US
VOE15165678		Engine D6H , EU
VOE85110		Engine Installation D6HLAE4, EU
VOE85113		Engine Installation D6HLAE4, US

Pos	Part	Q1	Q2	Q3	Q4	Q5	PS	Kit	Description	Option(s)	Remark
1		6					NS		Cyl Liner Kit		
2	VOE21753886	1					NS		Piston		
3	VOE21774994	1							Gudgeon pin		
4	VOE20798020	2							Lock Ring		
5	VOE21771864	1							Piston ring kit		

Date: <b>2014/2/20</b>	Image id: <b>1060271</b>	Catalogue: <b>20645</b>	Model: <b>L90G</b>
Brand: <b>Volvo</b>	Serial: <b>2008-</b>	Group/Section: <b>214/100</b>	Title: <b>Valve mechanism 85110, 85113</b>



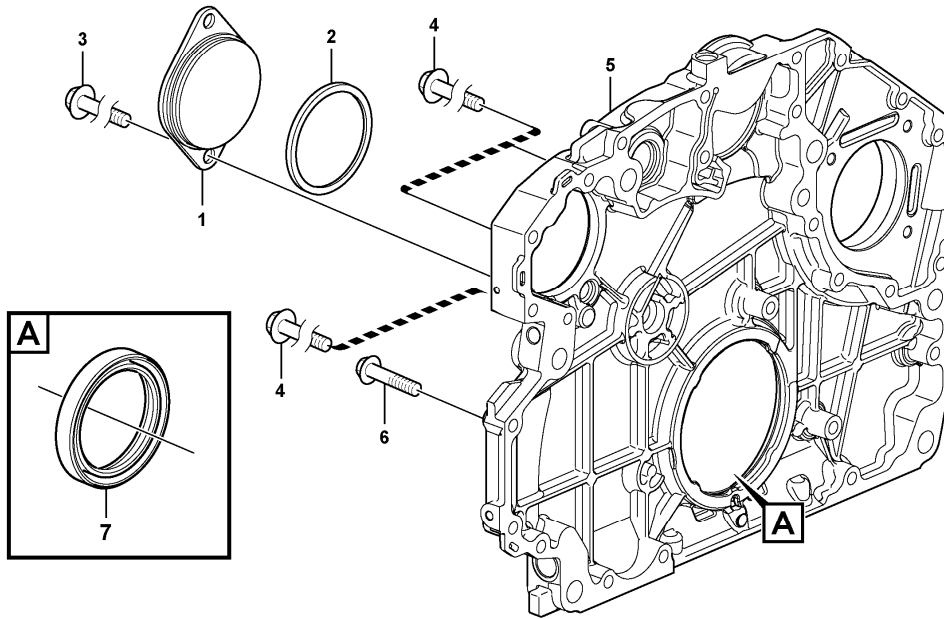
Volvo Construction  
Equipment  
1060271

Section option	Kit	Option description
VOE15083691		Engine D6H , US
VOE15165678		Engine D6H , EU
VOE85110		Engine Installation D6HLAE4, EU
VOE85113		Engine Installation D6HLAE4, US

Pos	Part	Q1	Q2	Q3	Q4	Q5	PS	Kit	Description	Option(s)	Remark
1	VOE20405723	12							Screw		
2	VOE21770895	6							Bracket		
3	VO996089	2							Spring		
4	VOE21772095	6							Rocker arm		
5	VOE21773500	6							Rocker arm		
6	VOE20832764	12					SE		Adjusting Screw		
7	VOE11700373	12							Nut		
8	VOE20800018	5							Compression spring		
9	VOE21774733	2							Raceway washer		

10	VOE914456	2							Retaining ring		
11	VOE21773506	1							Rocker arm shaft		
12	VOE20799622	2					NS		Cap Plug		
13	VOE21753855	1							Camshaft		
14	4283150	12					NS		Tappet		
15	VOE21775020	12							Push rod		
16	VOE21775113	12							Valve bridge		

Date: <b>2014/2/20</b>	Image id: <b>1060240</b>	Catalogue: <b>20645</b>	Model: <b>L90G</b>
Brand: <b>Volvo</b>	Serial: <b>2008-</b>	Group/Section: <b>215/100</b>	Title: <b>Timing gear casing 85110, 85113</b>

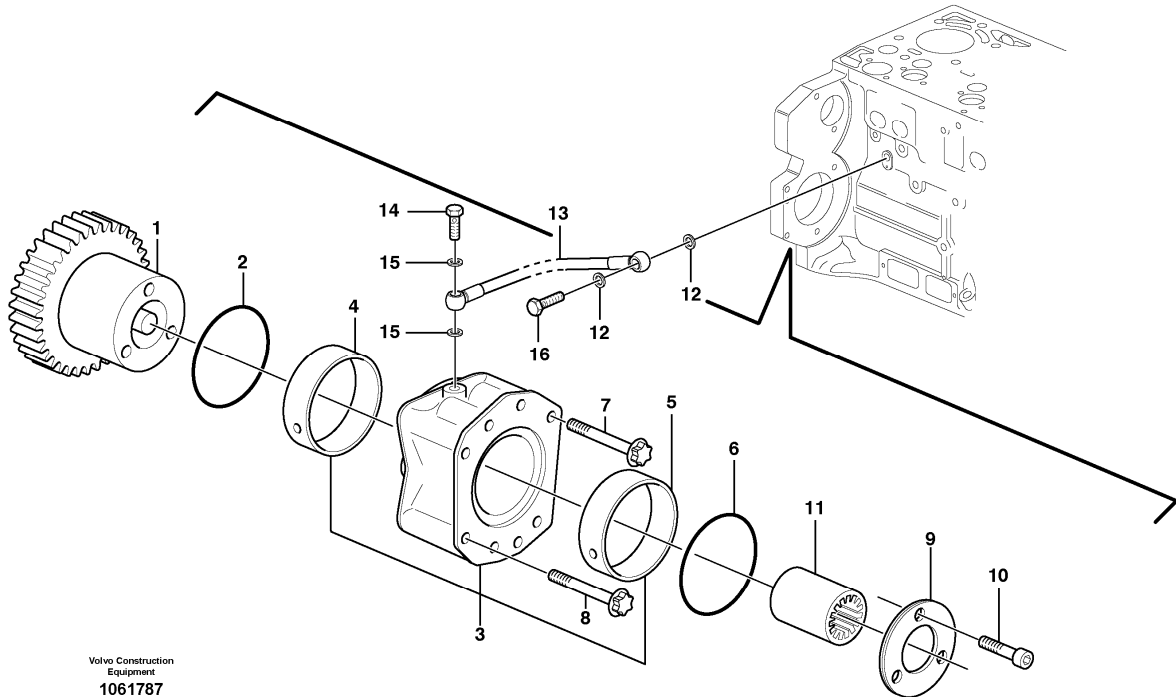


Volvo Construction  
Equipment  
1060240

Section option	Kit	Option description
VOE15083691		Engine D6H , US
VOE15165678		Engine D6H , EU
VOE85110		Engine Installation D6HLAE4, EU
VOE85113		Engine Installation D6HLAE4, US

Pos	Part	Q1	Q2	Q3	Q4	Q5	PS	Kit	Description	Option(s)	Remark
1	VOE20950063	1							Cover		
2	VOE20405652	1							Sealing ring		
3	VOE20450801	2							Screw		
4	VOE20450801	3							Screw		
5	VOE20841195	1							Gear Housing		
6	VOE20412324	12							Screw		
7	VOE20929860	1							Crankshaft Seal		

Date: <b>2014/2/20</b>	Image id: <b>1061787</b>	Catalogue: <b>20645</b>	Model: <b>L90G</b>
Brand: <b>Volvo</b>	Serial: <b>2008-</b>	Group/Section: <b>215/200</b>	Title: <b>Pump drive power take-off 85110, 85113</b>



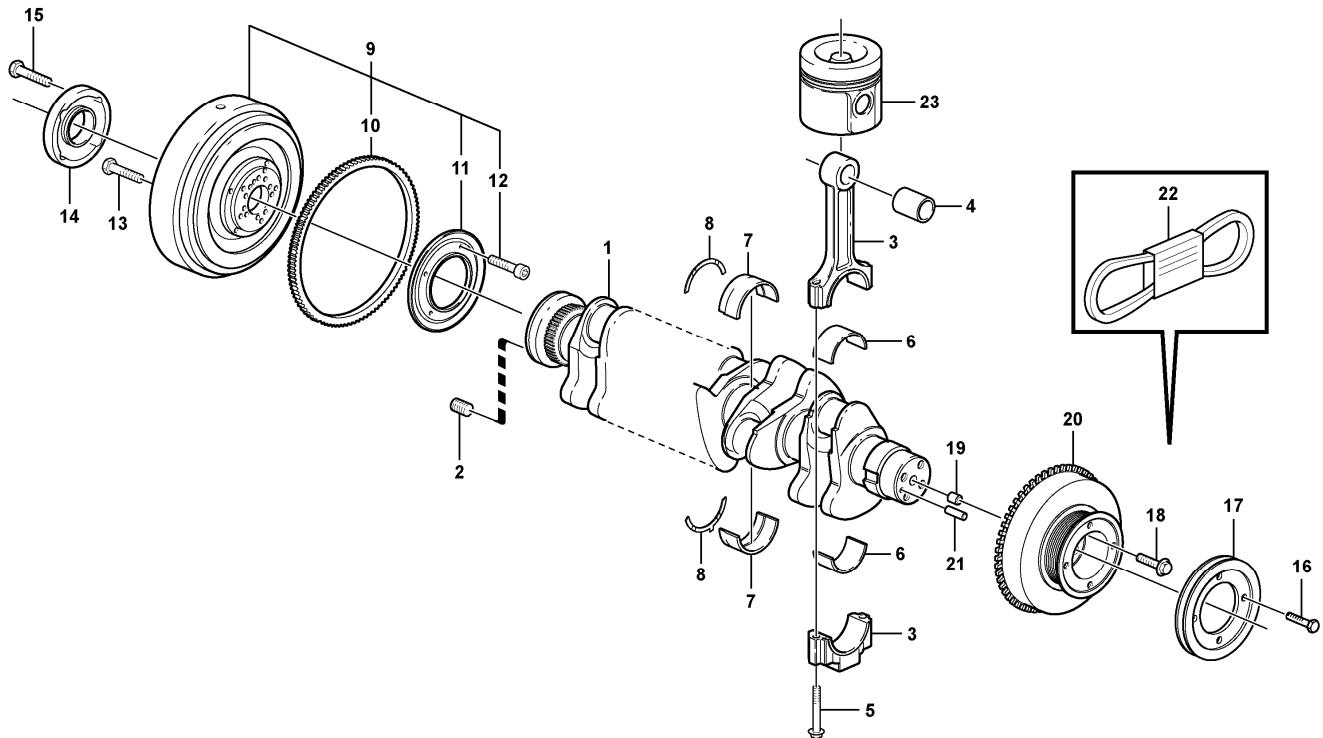
Volvo Construction  
Equipment  
1061787

Section option	Kit	Option description
VOE15083691		Engine D6H , US
VOE15165678		Engine D6H , EU
VOE85110		Engine Installation D6HLAE4, EU
VOE85113		Engine Installation D6HLAE4, US

Pos	Part	Q1	Q2	Q3	Q4	Q5	PS	Kit	Description	Option(s)	Remark
1	VOE21249506	1						K	Gear		
2	VOE20450818	1							O-ring		
3	VOE20450805	1						K	Bearing flange		
4	VOE20450807	1						K	•Bushing		
5	VOE20450809	1						K	•Bushing		
6	VOE20450819	1							O-ring		
7	VOE20450821	2							Screw		
8	VOE21077470	2							Screw		
9	VOE20450811	1						K	Thrust washer		

10	VOE20450822	3						K	Screw		
11	VOE20459123	1							Sleeve		
12	VOE13947621	2							Plane gasket		
13	VOE20459170	1							Oil pipe		
14	VOE980973	1							Hollow screw		
15	VOE13947281	2							Gasket		
16	VOE7025167	1							Hollow screw		
	VOE21250587	1							Hydraulic Pump		KIT

Date: <b>2014/2/20</b>	Image id: <b>1063804</b>	Catalogue: <b>20645</b>	Model: <b>L90G</b>
Brand: <b>Volvo</b>	Serial: <b>2008-</b>	Group/Section: <b>216/100</b>	Title: <b>Crankshaft and related parts 85110, 85113</b>



Volvo Construction  
Equipment  
1063804

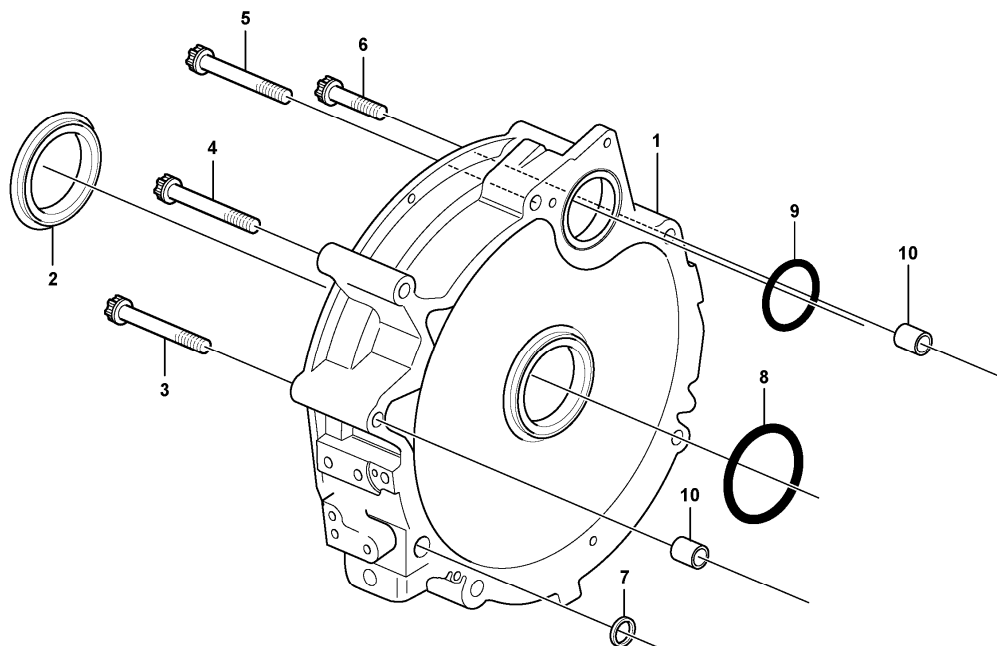
Section option	Kit	Option description
VOE15083691		Engine D6H , US
VOE15165678		Engine D6H , EU
VOE85110		Engine Installation D6HLAE4, EU
VOE85113		Engine Installation D6HLAE4, US

Pos	Part	Q1	Q2	Q3	Q4	Q5	PS	Kit	Description	Option(s)	Remark
1	VOE21351237	1							Crankshaft		
2	VOE20459144	10							Insert		
3	VOE20851091	6							Connecting rod		
4	VOE20799647	6							•Piston Bearing		
5	VOE20799587	12							•Bolt		
6	VOE20850096	1							Big End Brg Kit		STD 70,00MM
6	VOE20850097	1							Big End Brg Kit		U SZ 69,75MM
7	VOE20850106	7							Main Bearing		STD 84,00MM
7	VOE20850110	7							Main Bearing		U SZ 83,75MM

8	VOE20850116	2							Thrust washer		STD 2,15MM
8	VOE20850122	2							Thrust Washer		O SZ 2,35MM
9	VOE20917910	1							Flywheel		
10	VOE20450830	1							•Gear		
11	VOE20918003	1							•Ring		
12	VOE20933839	4							•Screw		
13	VOE20450835	10							Screw		
14	VOE20460793	1							Flange		
15	VOE21000755	5							Screw		
16	VOE20459156	4							Screw		
17	VOE20459155	1							Pulley		
18	VOE20405724	4							Screw		
19	VOE20405634	1							Spring pin		
20	VOE20799122	1							V-belt Pulley		
21	VOE20450628	1							Pin		
22	VOE977305	1							V-belt		See ref 263/500
23	VOE21753886	1							Piston		See ref 213/100



Date: <b>2014/2/20</b>	Image id: <b>1033647</b>	Catalogue: <b>20645</b>	Model: <b>L90G</b>
Brand: <b>Volvo</b>	Serial: <b>2008-</b>	Group/Section: <b>216/200</b>	Title: <b>Flywheel housing 85110, 85113</b>



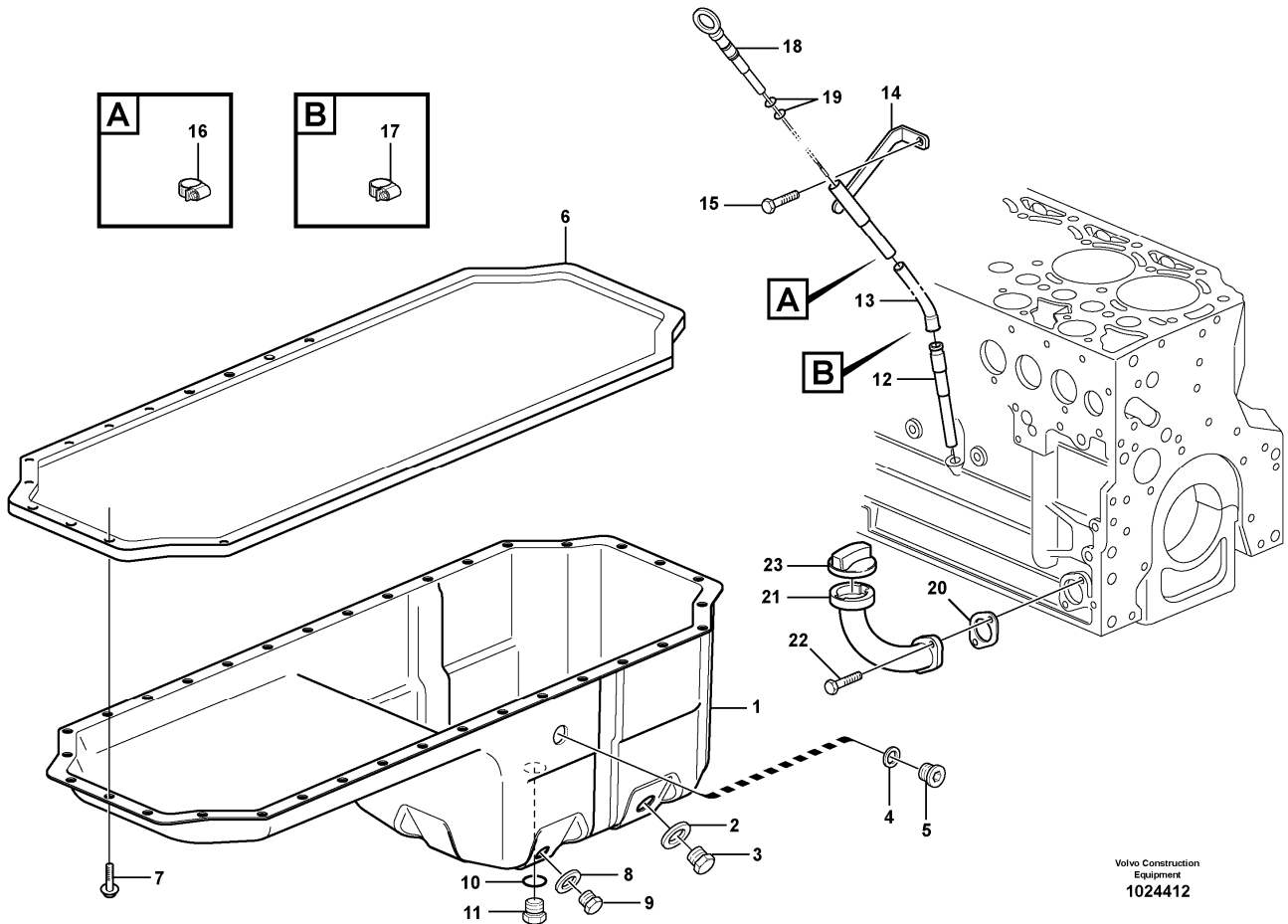
Volvo Construction  
Equipment  
1033647

Section option	Kit	Option description
VOE15083691		Engine D6H , US
VOE15165678		Engine D6H , EU
VOE85110		Engine Installation D6HLAE4, EU
VOE85113		Engine Installation D6HLAE4, US

Pos	Part	Q1	Q2	Q3	Q4	Q5	PS	Kit	Description	Option(s)	Remark
1	VOE20459987	1							Flywheel housing		
2	VOE20450784	1							•Labyrinth ring		
3	VOE20459996	1							Screw		
4	VOE20459995	1							Screw		
5	VOE20459991	3							Screw		
6	VOE20460931	1							Screw		
7	VOE20459993	4							O-ring		
8	VOE20450786	1							Sealing ring		
9	VOE20459994	1							Sealing ring		

10	VOE20585971	2						Bushing		
----	-------------	---	--	--	--	--	--	---------	--	--

Date: <b>2014/2/20</b>	Image id: <b>1024412</b>	Catalogue: <b>20645</b>	Model: <b>L90G</b>
Brand: <b>Volvo</b>	Serial: <b>2008-</b>	Group/Section: <b>217/100</b>	Title: <b>Oil sump 85110, 85113</b>



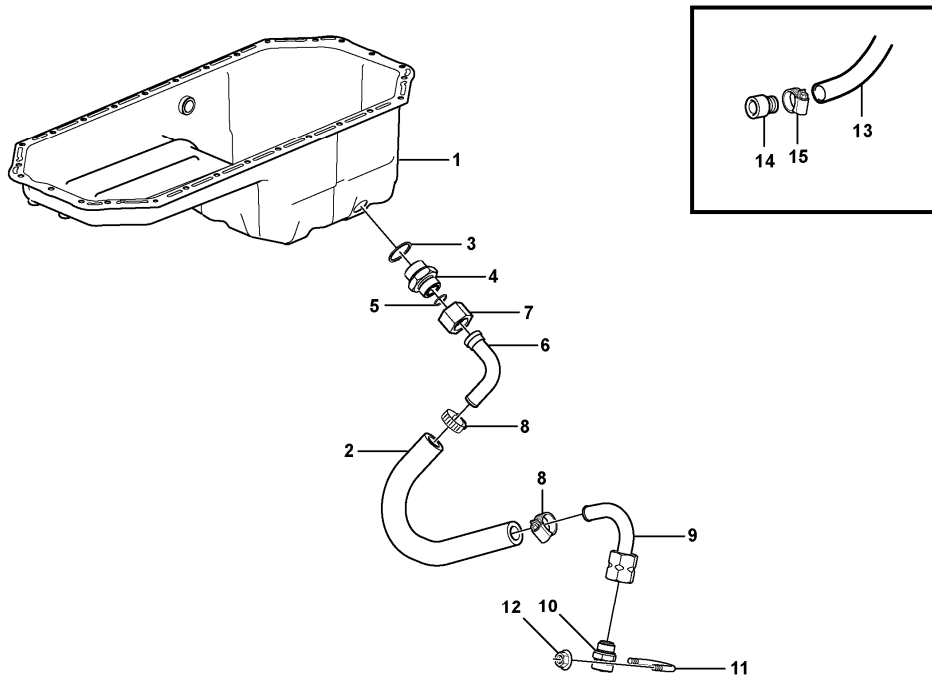
Volvo Construction  
Equipment  
1024412

Section option	Kit	Option description
VOE15083691		Engine D6H , US
VOE15165678		Engine D6H , EU
VOE85110		Engine Installation D6HLAE4, EU
VOE85113		Engine Installation D6HLAE4, US

Pos	Part	Q1	Q2	Q3	Q4	Q5	PS	Kit	Description	Option(s)	Remark
1	VOE21618972	1							Oil pan		
2	VOE993681	1							•Gasket		
3	VOE20496257	1							•Plug		
4	VOE20460026	1							Sealing ring		
5	VOE20460024	1							Plug		
6	VOE20460022	1							Gasket		
7	VOE20405792	28							Screw		
8	VOE993679	1							Gasket		
9	VOE20405506	1							Plug		



Date: <b>2014/2/20</b>	Image id: <b>1019351</b>	Catalogue: <b>20645</b>	Model: <b>L90G</b>
Brand: <b>Volvo</b>	Serial: <b>2008-</b>	Group/Section: <b>217/300</b>	Title: <b>Draining of oil sump 33007</b>



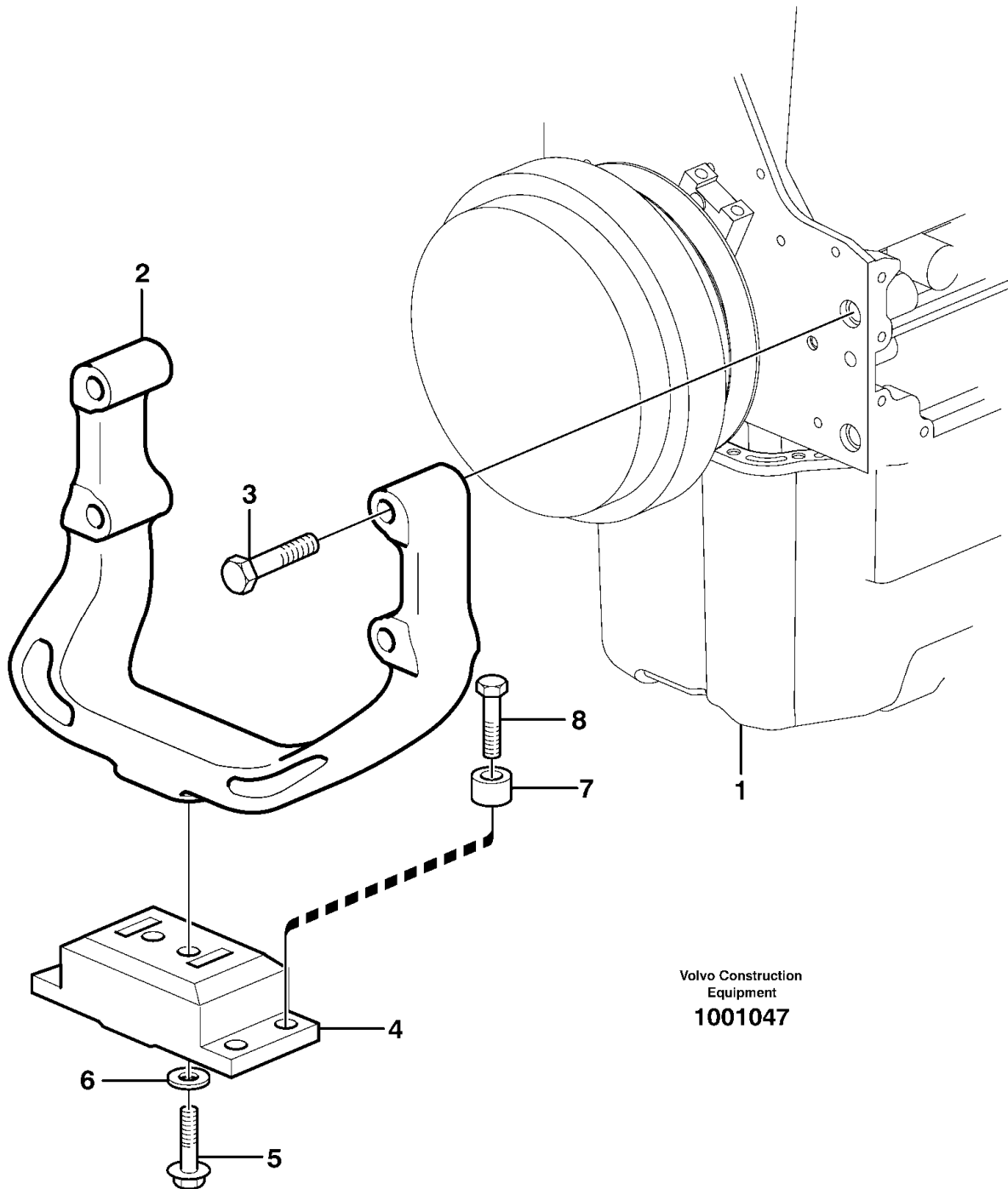
Volvo Construction  
Equipment  
1019351

Section option	Kit	Option description
VOE33007		Wheel Loader L90G

Pos	Part	Q1	Q2	Q3	Q4	Q5	PS	Kit	Description	Option(s)	Remark
1	VOE21618972	1							Oil pan		See ref 217/100
2	VOE190993	REQ							Hose		L = 430 mm
3	VOE993600	1							Gasket		
4	VOE11163064	1							Nipple		
5	VOE990740	1							O-ring		
6	VOE11410190	1							Drain tube		
7	VOE13933877	1							Fitting nut		
8	VOE943473	2							Hose clamp		
9	VOE11173508	1							Drain tube		
10	VOE11054692	1							Valve		
11	VOE11130269	1							Clamp		
12	VOE948645	2							Flange lock nut		

13	VOE11027418	1							Hose		
14	VOE11054659	1							Connector		
15	VOE943473	1							Hose clamp		

Date: <b>2014/2/20</b>	Image id: <b>1001047</b>	Catalogue: <b>20645</b>	Model: <b>L90G</b>
Brand: <b>Volvo</b>	Serial: <b>2008-</b>	Group/Section: <b>218/100</b>	Title: <b>Engine mounting 33007</b>



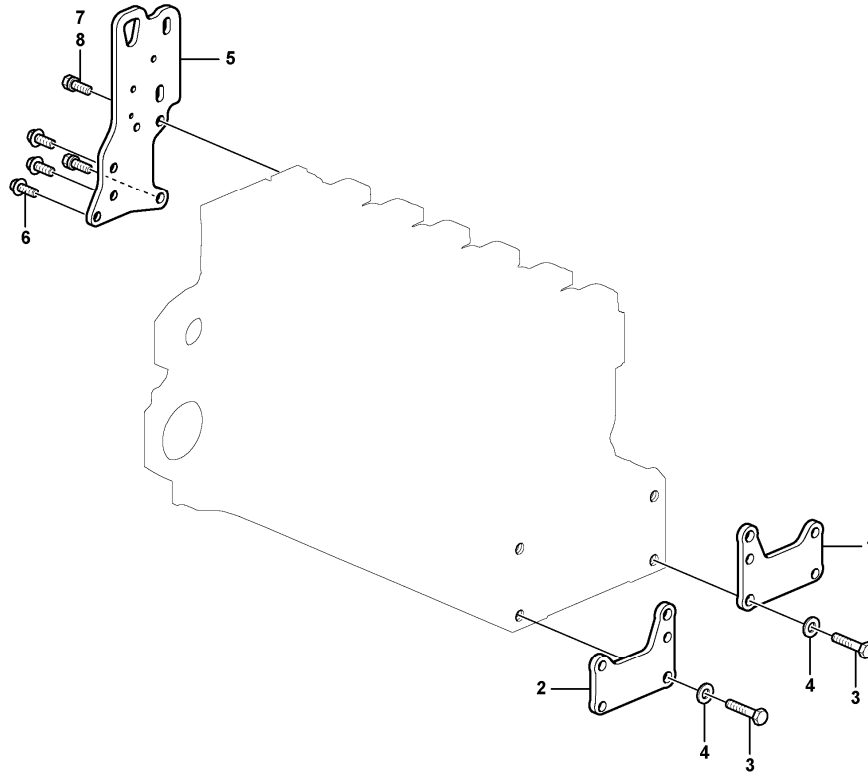
Section option	Kit	Option description
VOE33007		Wheel Loader L90G

Pos	Part	Q1	Q2	Q3	Q4	Q5	PS	Kit	Description	Option(s)	Remark
-----	------	----	----	----	----	----	----	-----	-------------	-----------	--------

1	VOE15165678	1							Engine		See ref 210/100
	VOE15083691	1							Engine		See ref 210/100
2	VOE15158794	1							Engine anchorage		
3	VOE963320	4							Hexagon screw		
4	VOE20503552	1							Rubber cushion		
5	VOE966362	2							Flange screw		
6	VOE930844	2							Washer		
7	VOE11025923	4							Spacer		
8	VOE13965193	4							Screw		



Date: <b>2014/2/20</b>	Image id: <b>1060244</b>	Catalogue: <b>20645</b>	Model: <b>L90G</b>
Brand: <b>Volvo</b>	Serial: <b>2008-</b>	Group/Section: <b>218/200</b>	Title: <b>Engine mounting 85110, 85113</b>

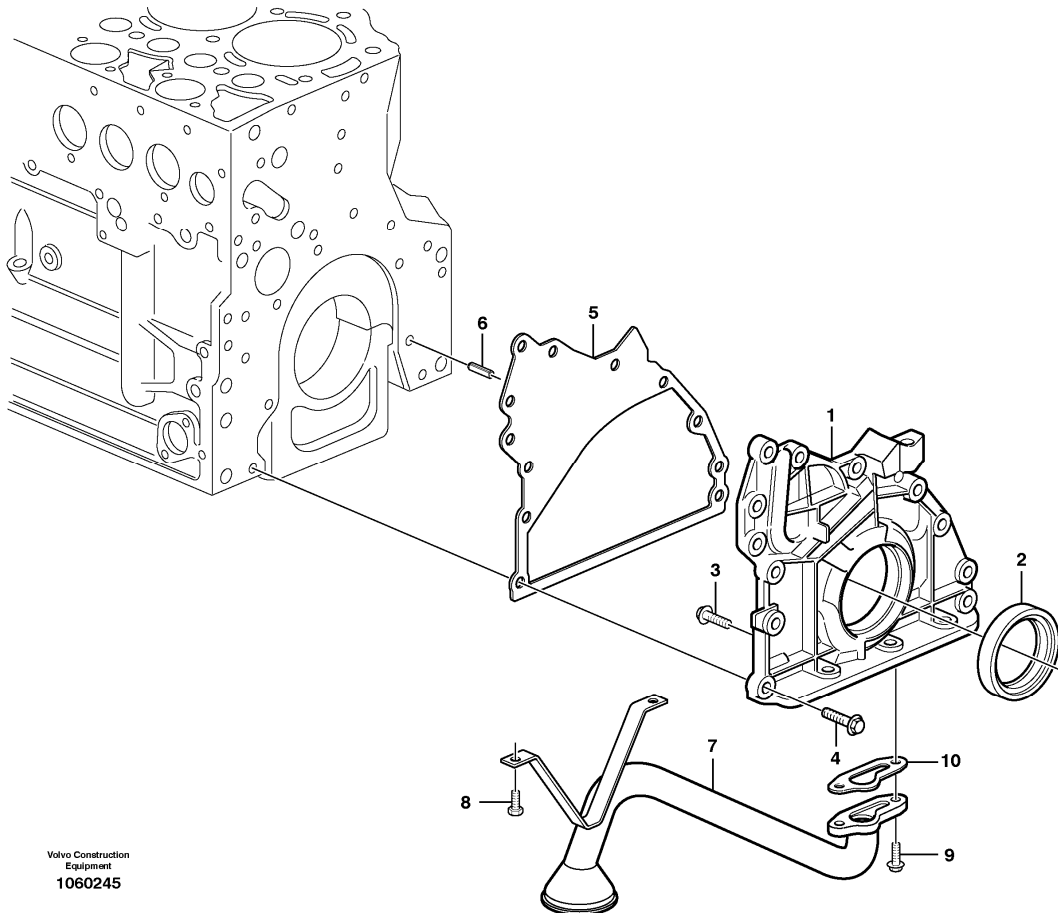


Volvo Construction  
Equipment  
1060244

Section option	Kit	Option description
VOE15083691		Engine D6H , US
VOE15165678		Engine D6H , EU
VOE85110		Engine Installation D6HLAE4, EU
VOE85113		Engine Installation D6HLAE4, US

Pos	Part	Q1	Q2	Q3	Q4	Q5	PS	Kit	Description	Option(s)	Remark
1	VOE20723978	1							Bracket		
2	VOE20723984	1							Bracket		
3	VOE20535027	2							Screw		
4	VOE20405606	2							Washer		
5	VOE21774562	1					NS		Plate		
6	VOE20450756	3							Screw		
7	VOE20412314	2							Stud		
8	VOE20412308	2							Hexagon nut		

Date: <b>2014/2/20</b>	Image id: <b>1060245</b>	Catalogue: <b>20645</b>	Model: <b>L90G</b>
Brand: <b>Volvo</b>	Serial: <b>2008-</b>	Group/Section: <b>221/100</b>	Title: <b>Lubricating oil system 85110, 85113</b>

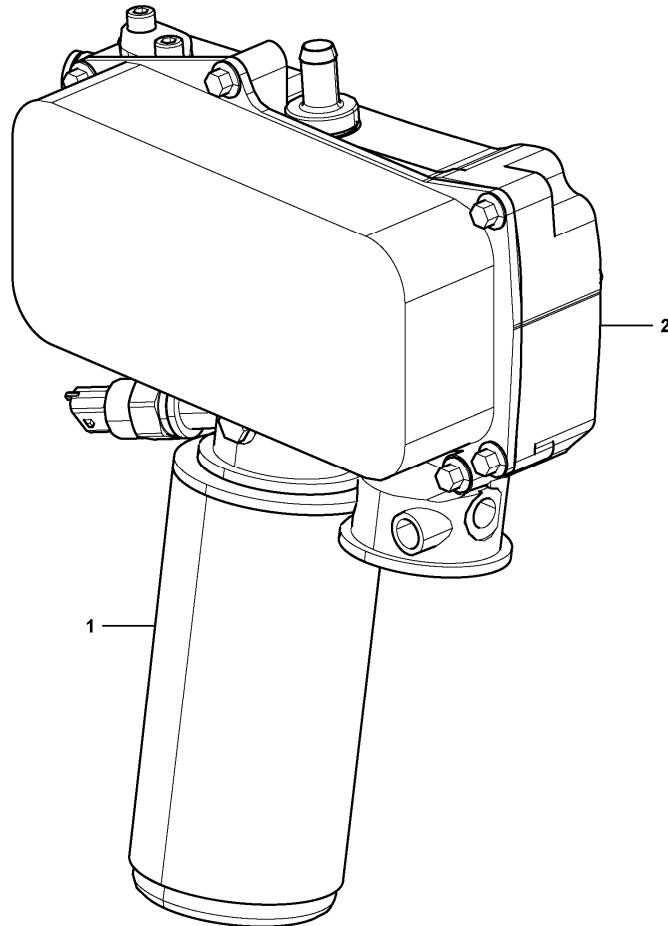


Section option	Kit	Option description
VOE15083691		Engine D6H , US
VOE15165678		Engine D6H , EU
VOE85110		Engine Installation D6HLAE4, EU
VOE85113		Engine Installation D6HLAE4, US

Pos	Part	Q1	Q2	Q3	Q4	Q5	PS	Kit	Description	Option(s)	Remark
1	VOE21489736	1							Service cover		
2	VOE21496591	1							•Lip seal		
3	VOE20451738	8							•Screw		
4	VOE20412324	12							Screw		
5	VOE21531890	1							Gasket		
6	VOE20405603	1							Spring pin		
7	VOE20496392	1							Oil pipe		
8	VOE20405792	2							Screw		
9	VOE13949578	2							Screw		



Date: <b>2014/2/20</b>	Image id: <b>1063851</b>	Catalogue: <b>20645</b>	Model: <b>L90G</b>
Brand: <b>Volvo</b>	Serial: <b>2008-</b>	Group/Section: <b>222/100</b>	Title: <b>Oil filter 85110, 85113</b>

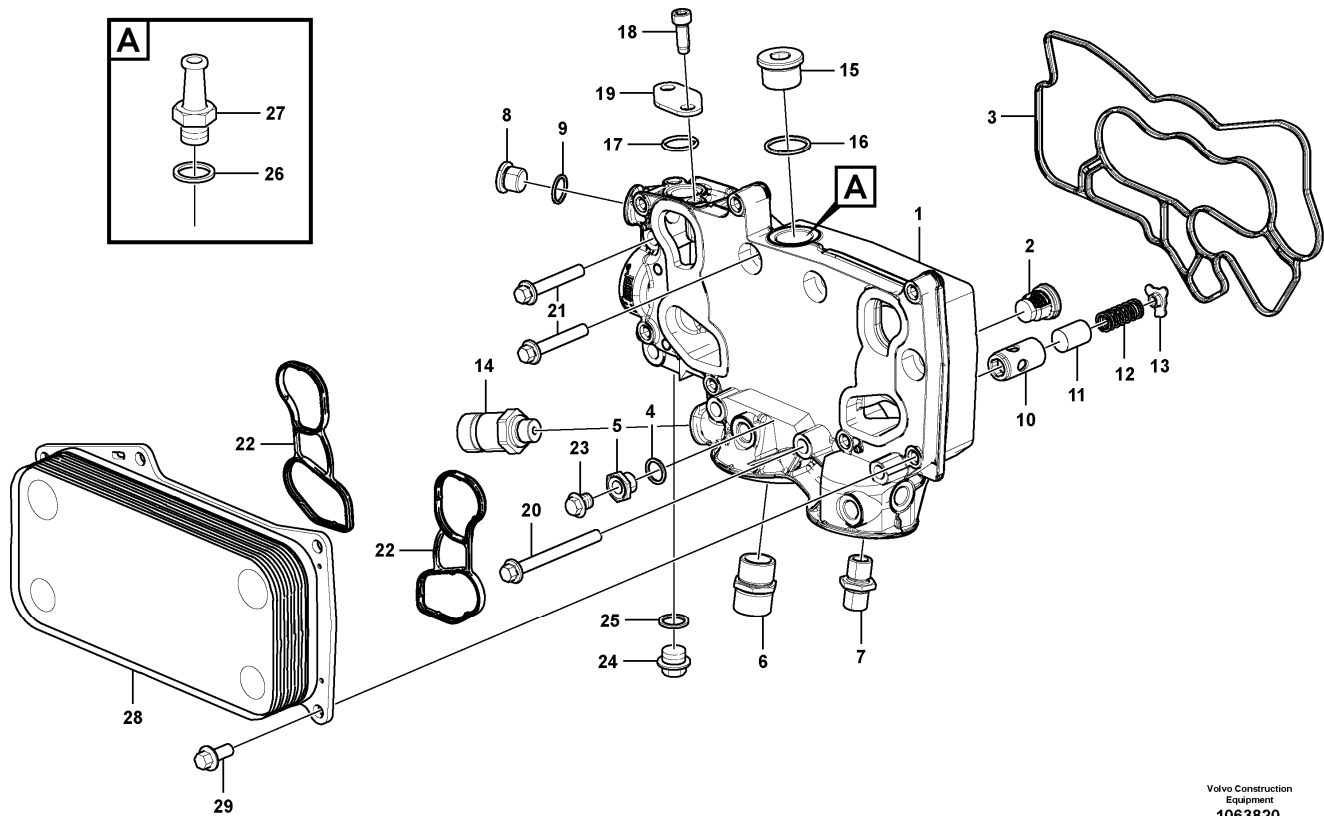


Volvo Construction  
Equipment  
1063851

Section option	Kit	Option description
VOE15083691		Engine D6H , US
VOE15165678		Engine D6H , EU
VOE85110		Engine Installation D6HLAE4, EU
VOE85113		Engine Installation D6HLAE4, US

Pos	Part	Q1	Q2	Q3	Q4	Q5	PS	Kit	Description	Option(s)	Remark
1	VOE3831236	1							Oil filter		
2	VOE21754776	1							Oil cooler		See ref 223/100

Date: <b>2014/2/20</b>	Image id: <b>1063820</b>	Catalogue: <b>20645</b>	Model: <b>L90G</b>
Brand: <b>Volvo</b>	Serial: <b>2008-</b>	Group/Section: <b>223/100</b>	Title: <b>Oil cooler 85110, 85113</b>



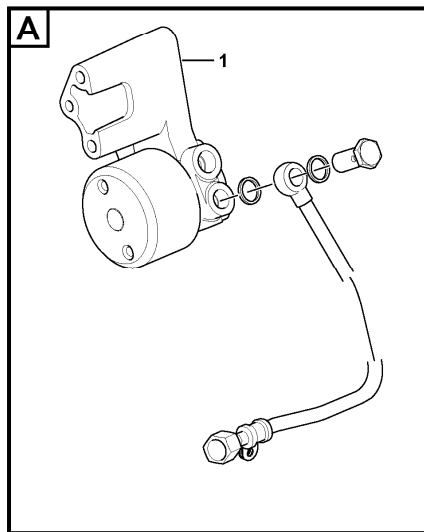
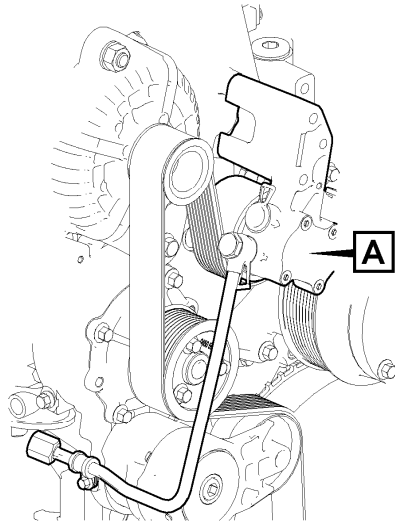
Volvo Construction  
Equipment  
1063820

Section option	Kit	Option description
VOE15083691		Engine D6H , US
VOE15165678		Engine D6H , EU
VOE85110		Engine Installation D6HLAE4, EU
VOE85113		Engine Installation D6HLAE4, US

Pos	Part	Q1	Q2	Q3	Q4	Q5	PS	Kit	Description	Option(s)	Remark
1	VOE21754776	1							Oil cooler		
2	VOE20459204	1							•Valve		
3	VOE20459203	1							•Gasket		
4	VOE13947281	1							•Gasket		
5	VOE20795923	1							•Plug		
6	VOE20459201	1							•Nipple		
7	VOE20459200	1							•Nipple		
8	VOE20502245	1							•Screw plug		
9	VOE13947622	1							•Plane gasket		

10	VOE21100405	1							•Valve seat		
11	VOE20862028	1							•Control plunger		
12	VOE21100407	1							•Spring		
13	VOE21100410	1							•Sleeve		
14	VOE20898038	1							•Pressure sensor		
15	VOE20459195	1							•Plug		
16	VOE13947628	1							•Plane gasket		
17	VOE20405599	1							•Sealing ring		
18	01110561	2					NS		•Screw		
19	VOE21072778	1							•Flange		
20	VOE20405917	3							•Screw		
21	VOE20405672	5							•Screw		
22	VOE21611489	2							Gasket		
23	VOE21011809	1							Plug		
24	VOE888474	1							Plug		
25	VOE20450890	1							Sealing ring		
26	VOE13947628	1							Plane gasket		
27	VOE20496519	1							Nipple		
28	VOE21695993	1							Oil cooler		
29	VOE20405885	7							Screw		

Date: <b>2014/2/20</b>	Image id: <b>1060286</b>	Catalogue: <b>20645</b>	Model: <b>L90G</b>
Brand: <b>Volvo</b>	Serial: <b>2008-</b>	Group/Section: <b>233/100</b>	Title: <b>Fuel pump 85110, 85113</b>

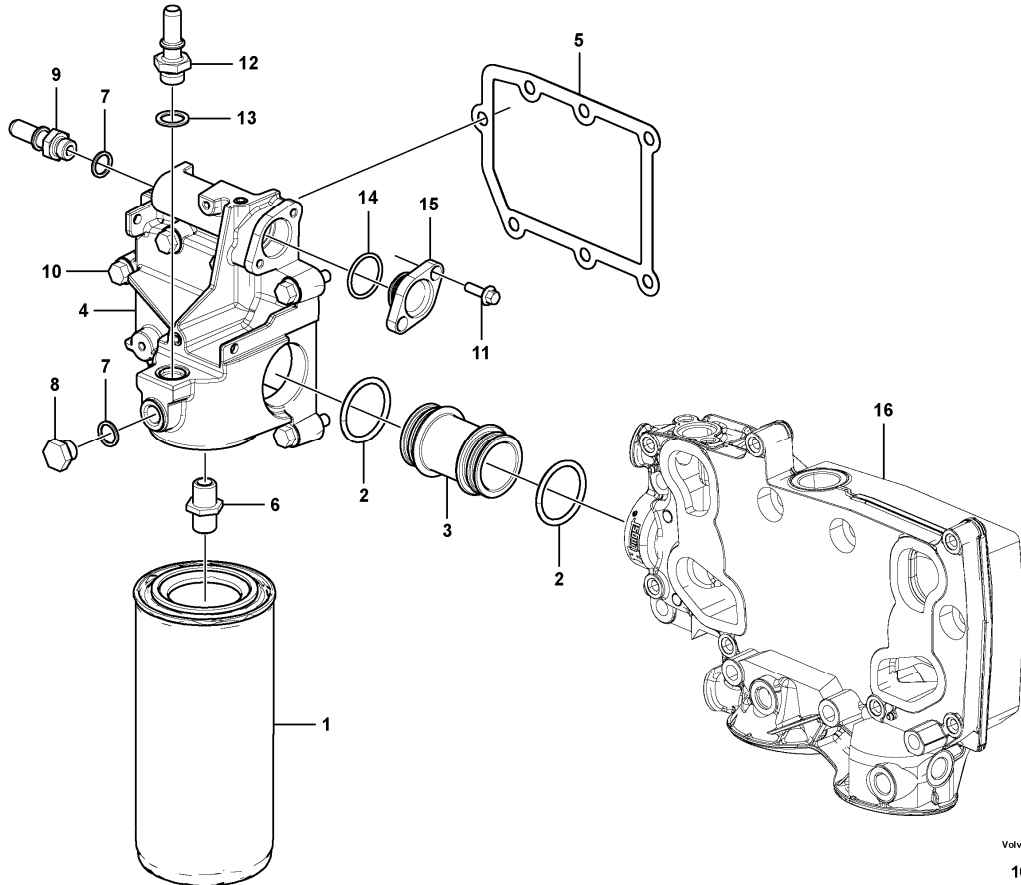


Volvo Construction  
Equipment  
1060286

Section option	Kit	Option description
VOE15083691		Engine D6H , US
VOE15165678		Engine D6H , EU
VOE85110		Engine Installation D6HLAE4, EU
VOE85113		Engine Installation D6HLAE4, US

Pos	Part	Q1	Q2	Q3	Q4	Q5	PS	Kit	Description	Option(s)	Remark
1	VOE21620116	1							Fuel pump		

Date: <b>2014/2/20</b>	Image id: <b>1063725</b>	Catalogue: <b>20645</b>	Model: <b>L90G</b>
Brand: <b>Volvo</b>	Serial: <b>2008-</b>	Group/Section: <b>233/150</b>	Title: <b>Fuel filter 85110, 85113</b>



Volvo Construction  
Equipment  
1063725

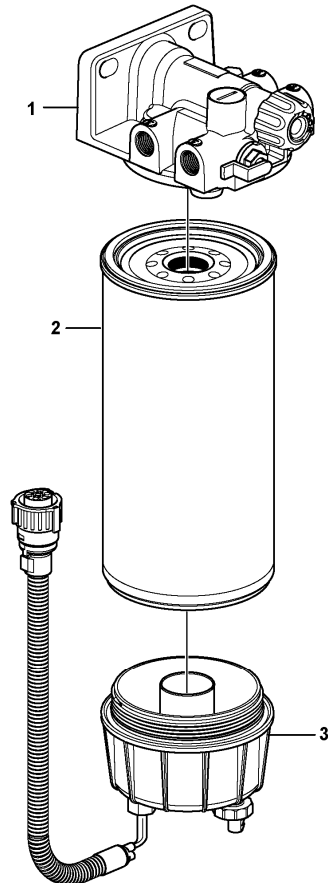
Section option	Kit	Option description
VOE15083691		Engine D6H , US
VOE15165678		Engine D6H , EU
VOE85110		Engine Installation D6HLAE4, EU
VOE85113		Engine Installation D6HLAE4, US

Pos	Part	Q1	Q2	Q3	Q4	Q5	PS	Kit	Description	Option(s)	Remark
1	VOE20805349	1							Fuel Filter		
2	VOE20459193	2							Sealing ring		
3	VOE20459191	1							Plug		
4	VOE21307519	1							Filter housing		
5	VOE20459192	1							Gasket		
6	VOE20818370	1							Screw Bushing		
7	VOE993436	2							Gasket		
8	VOE20775883	1					NS		Plug		
9	VOE21793124	1							Plug		



10	VOE20412324	7							Screw		
11	VOE20450728	2							Bolt		
12	VOE20832581	1							Plug		
13	VOE21846543	1					NS		Gasket		
14	VOE21566343	1					NS		O-ring		
15	VOE20798139	1							Cover		
16	VOE21754776	1							Oil cooler		See ref 223/100

Date: <b>2014/2/20</b>	Image id: <b>1023950</b>	Catalogue: <b>20645</b>	Model: <b>L90G</b>
Brand: <b>Volvo</b>	Serial: <b>2008-</b>	Group/Section: <b>233/300</b>	Title: <b>Water separator 33007</b>

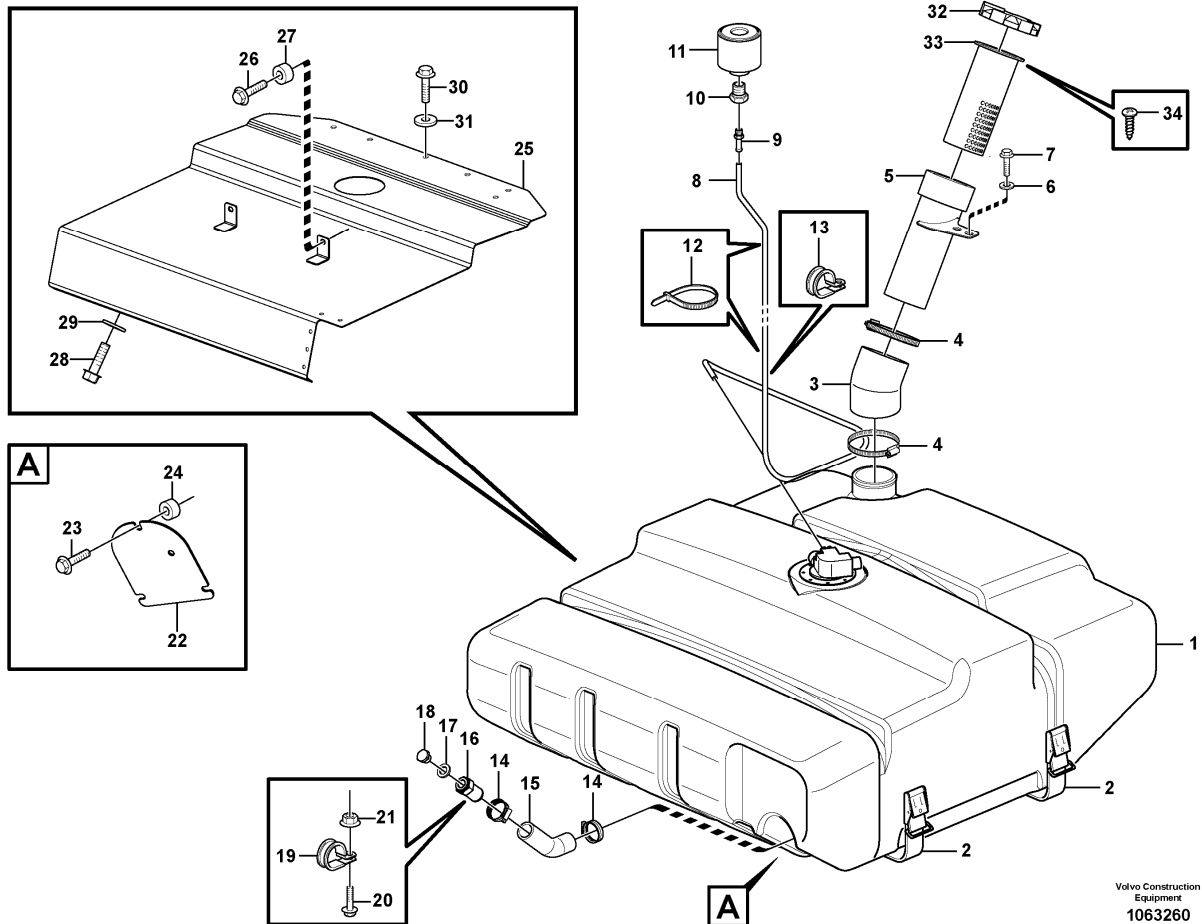


Volvo Construction  
Equipment  
1023950

Section option	Kit	Option description
VOE33007		Wheel Loader L90G

Pos	Part	Q1	Q2	Q3	Q4	Q5	PS	Kit	Description	Option(s)	Remark
	VOE11110709	1							Water separator		
1	VOE11110708	1					NS		•Filter Housing		
2	VOE11110683	1							•Primary filter		
3	VOE11110737	1							•Bowl		SE2302

Date: <b>2014/2/20</b>	Image id: <b>1063260</b>	Catalogue: <b>20645</b>	Model: <b>L90G</b>
Brand: <b>Volvo</b>	Serial: <b>2008-</b>	Group/Section: <b>234/100</b>	Title: <b>Fuel tank with fitting parts 33007, 84580</b>



Volvo Construction  
Equipment  
1063260

Section option	Kit	Option description
VOE33007		Wheel Loader L90G
VOE84580		Strainer, fuel fill

Q1-Q5	Option	Option description	
Q1 33007	VOE33007	Wheel Loader L90G	
Q2 84580	VOE84580	Strainer, fuel fill	

Pos	Part	Q1	Q2	Q3	Q4	Q5	PS	Kit	Description	Option(s)	Remark
1	VOE16813696	1							Fuel tank		See ref 234/150
2	VOE11132499	2							Retaining strap		
3	VOE15410367	1							Hose		
4	VOE943483	2							Hose clamp		
5	VOE16820631	1							Filler pipe		
6	VOE13948871	2							Spacer washer		
7	VOE13945444	2							Screw		

Thank you so much for reading.  
Please click the “Buy Now!”  
button below to download the  
complete manual.



After you pay.

You can download the most  
perfect and complete manual in  
the world immediately.

Our support email:

[ebooklibonline@outlook.com](mailto:ebooklibonline@outlook.com)