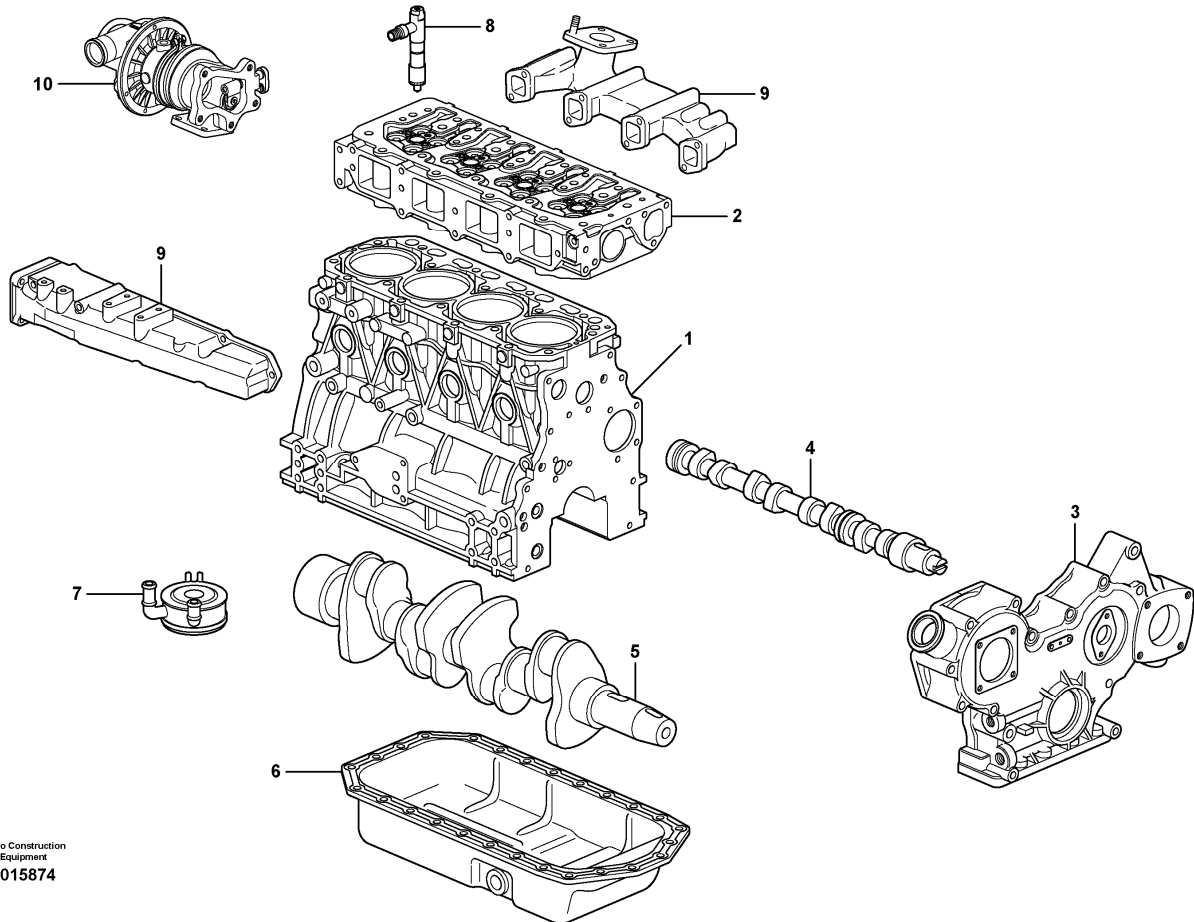


Date: <b>2013/10/20</b>	Image id: <b>1015874</b>	Catalogue: <b>20163</b>	Model: <b>MC70B</b>
Brand: <b>Volvo</b>	Serial: <b>71000-</b>	Group/Section: <b>210/150</b>	Title: <b>Engine</b>



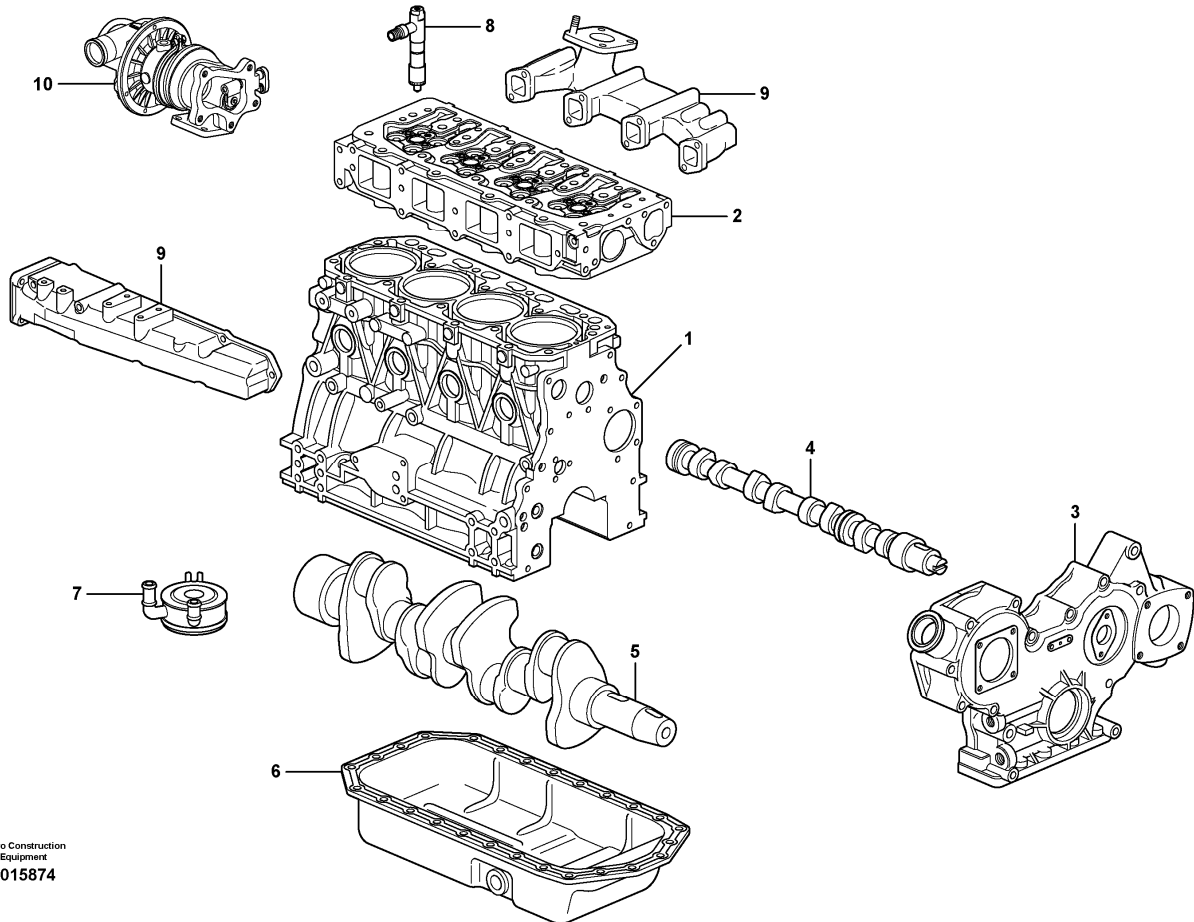
Section option	Kit	Option description
VOE11852929		Engine
VOE11858382		Engine TIER 3, US & EU MARKET

Q1-Q5	Option	Option description	
Q1 11858382	VOE11858382	Engine TIER 3, US & EU MARKET	

Pos	Part	Q1	Q2	Q3	Q4	Q5	PS	Kit	Description	Option(s)	Remark
	VOE11852929	1							Engine		
1		1							•Cylinder block		See ref 212/100
2		1							•Cylinder head		See ref 211/100
3		1							•Timing gear casing		See ref 215/100
4		1							•Camshaft		See ref 214/100
5		1							•Crankshaft		See ref 216/100
6		1							•Oil sump		See ref 217/100
7		1							•Oil cooler		See ref 220/100

8		1							•Injector		See ref 237/100
9		1							•Inlet, exhaust syst.		See ref 251/100
10		1							•Turbocharger		See ref 255/100

Date: <b>2013/10/20</b>	Image id: <b>1015874</b>	Catalogue: <b>20163</b>	Model: <b>MC70B</b>
Brand: <b>Volvo</b>	Serial: <b>71000-</b>	Group/Section: <b>210/160</b>	Title: <b>Engine</b>



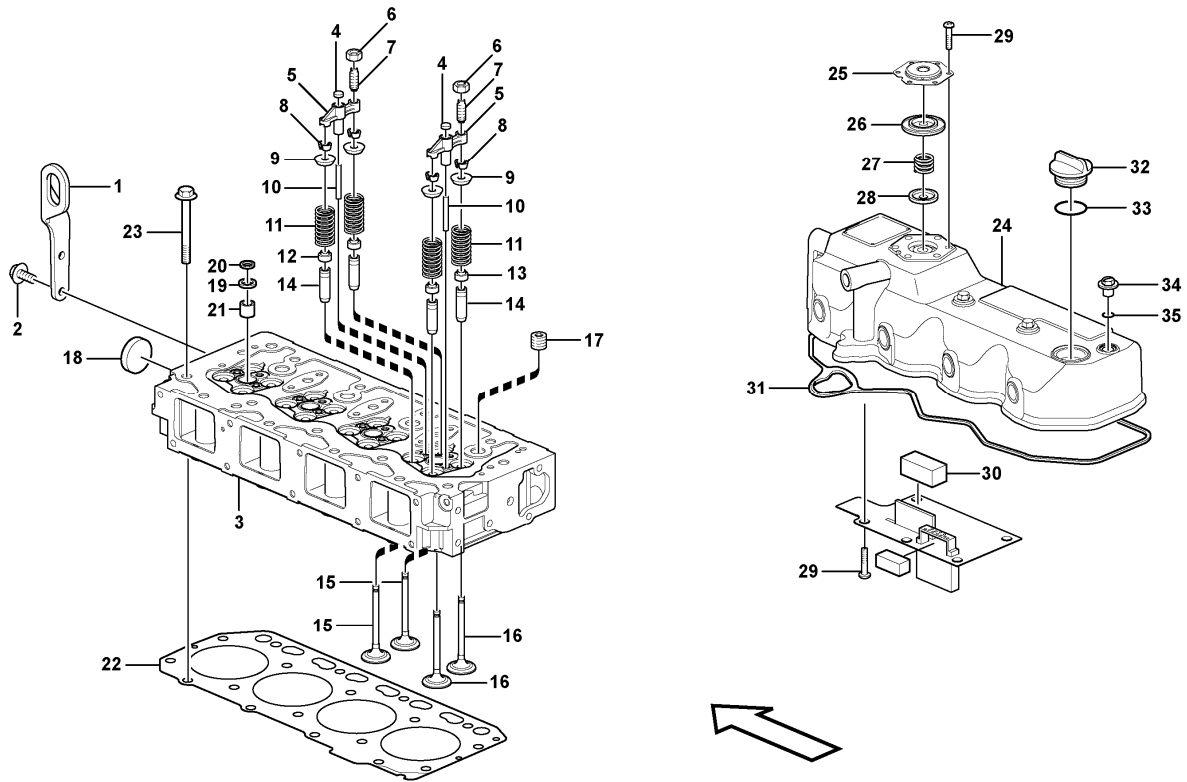
Section option	Kit	Option description
VOE11858378		Engine TIER 2A, INTERNATIONAL MARKET
VOE15635469		Engine TIER 2A, INTERNATIONAL MARKET

Q1-Q5	Option	Option description	
Q1 11858378	VOE11858378	Engine TIER 2A, INTERNATIONAL MARKET	

Pos	Part	Q1	Q2	Q3	Q4	Q5	PS	Kit	Description	Option(s)	Remark
	VOE15635469	1							Engine		
1		1							•Cylinder block		See ref 212/110
2		1							•Cylinder head		See ref 211/110
3		1							•Timing gear casing		See ref 215/110
4		1							•Camshaft		See ref 214/110
5		1							•Crankshaft		See ref 216/110
6		1							•Oil sump		See ref 217/110
7		1							•Oil cooler		See ref 220/110

8		1							•Injector		
9		1							•Inlet, exhaust syst.		See ref 251/160
10		1							•Turbocharger		See ref 255/110

Date: <b>2013/10/20</b>	Image id: <b>1039079</b>	Catalogue: <b>20163</b>	Model: <b>MC70B</b>
Brand: <b>Volvo</b>	Serial: <b>71000-</b>	Group/Section: <b>211/100</b>	Title: <b>Cylinder head</b>



Volvo Construction  
Equipment  
1039079

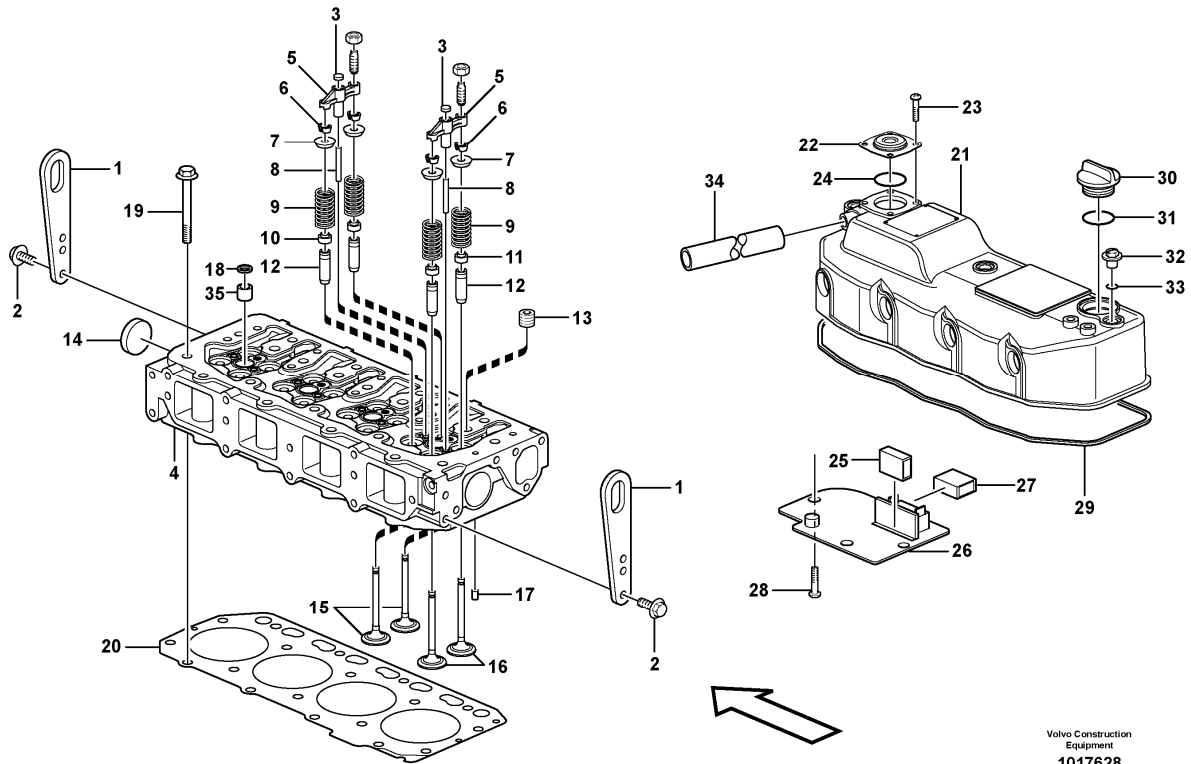
Section option	Kit	Option description
VOE11852929		Engine
VOE11858382		Engine TIER 3, US & EU MARKET

Q1-Q5	Option	Option description	
Q1 11858382	VOE11858382	Engine TIER 3, US & EU MARKET	

Pos	Part	Q1	Q2	Q3	Q4	Q5	PS	Kit	Description	Option(s)	Remark
1	15102864	1					NS		Lifting eye		
2	VOE11714388	2							Bolt		
3	VOE15102089	1							Cylinder head		
4	VOE14521518	8							Seat		
5		8					NS		•Bridge		
6	VOE11714380	8							•Nut		
7	VOE14521530	8							•Screw		
8	VOE11713537	32							•Valve sleeve		

9	VOE11714291	16							•Spring guide		
10	VOE11714288	8							•Guide		
11	VOE11714290	16							•Spring		
12	VOE11713308	8							•Sealing		
13	VOE11713306	8							•Sealing		
14	VOE11714287	16							•Guide		
15	VOE11714289	8							•Exhaust valve		
16	VOE11714293	8							•Inlet valve		
17	VOE14521522	4							•Plug		
18	VOE11714379	2							•Plug		
19	VOE11714381	4							Seat		
20	VOE11714386	4							O-ring		
21	VOE14521532	4							Protection		
22	VOE11714255	1							Gasket		
23	VOE11713588	18							Flange screw		
24	VOE15104332	1							Valve cover		
25	VOE14521550	1							•Plate		
26	VOE14521548	1							•Diaphragm		
27	VOE14521551	1							•Spring		
28	VOE14521549	1							•Plate		
29	VOE11714720	11							•Screw		
30	VOE14521553	1							•Plug		
31	VOE11714309	1							•Protection		
32	VOE11714383	1							Cap		
33	VOE11714371	1							O-ring		
34	VOE11714385	3							Flange cap nut		
35	VOE11714386	3							O-ring		

Date: <b>2013/10/20</b>	Image id: <b>1017628</b>	Catalogue: <b>20163</b>	Model: <b>MC70B</b>
Brand: <b>Volvo</b>	Serial: <b>71000-</b>	Group/Section: <b>211/110</b>	Title: <b>Cylinder head</b>



Volvo Construction  
Equipment  
1017628

Section option	Kit	Option description
VOE11858378		Engine TIER 2A, INTERNATIONAL MARKET
VOE15635469		Engine TIER 2A, INTERNATIONAL MARKET

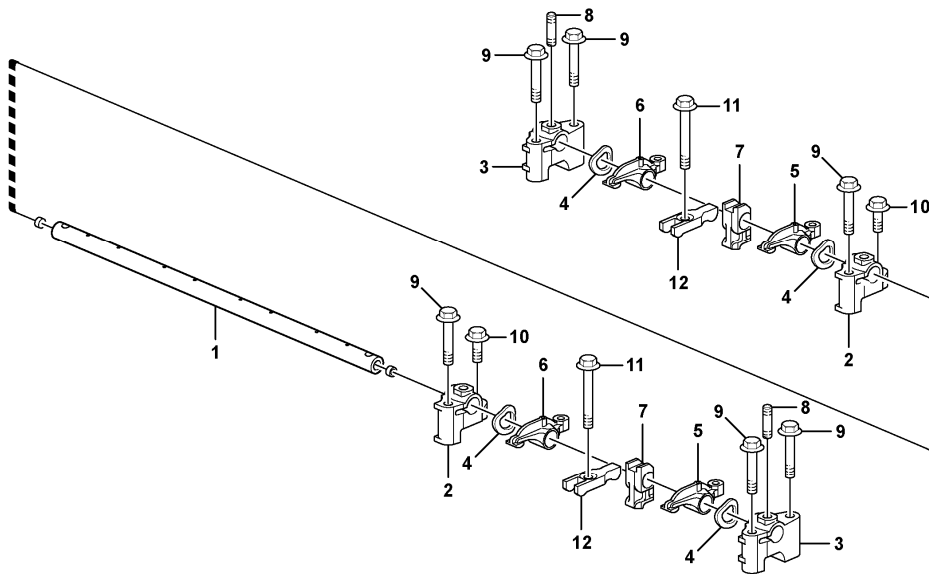
Q1-Q5	Option	Option description	
Q1 11858378	VOE11858378	Engine TIER 2A, INTERNATIONAL MARKET	

Pos	Part	Q1	Q2	Q3	Q4	Q5	PS	Kit	Description	Option(s)	Remark
1	VOE11714378	2							Lifting bracket		
2	VOE14525410	4							Bolt		
3	VOE11714285	8							Plug		
4	VOE11714286	1							Cylinder head		
5	VOE11714292	8							•Yoke		
6	VOE11713537	32							•Valve sleeve		
7	VOE11714291	16							•Spring guide		
8	VOE11714288	8							•Guide		

9	VOE11714290	16							•Spring		
10	VOE11713308	8							•Sealing		
11	VOE11713306	8							•Sealing		
12	VOE11714287	16							•Guide		
13	VOE14521522	4							•Plug		
14	VOE11714379	2							•Plug		
15	VOE11714289	8							•Exhaust valve		
16	VOE11714293	8							•Inlet valve		
17	VOE11714387	2							Spring pin		
18	VOE11714381	4							Seat		
19	VOE11713588	18							Flange screw		
20	VOE11714255	1							Gasket		
21	VOE11714304	1							Valve cover		
22	VOE11714308	1							•Cover		
23	VOE11714720	4							•Screw		
24	VOE11714310	1							•O-ring		
25	VOE11713658	1							•Baffle		
26	VOE11714305	1							•Plate		
27	VOE11713658	1							•Baffle		
28	VOE11714720	4							•Screw		
29	VOE11714309	1							•Protection		
30	VOE11714383	1							Cap		
31	VOE11714371	1							O-ring		
32	VOE11714385	3							Flange cap nut		
33	VOE11714386	3							O-ring		
34	VOE11714312	1							Tube		
35	VOE14521532	4							Protection		



Date: <b>2013/10/20</b>	Image id: <b>1015774</b>	Catalogue: <b>20163</b>	Model: <b>MC70B</b>
Brand: <b>Volvo</b>	Serial: <b>71000-</b>	Group/Section: <b>211/150</b>	Title: <b>Valve mechanism</b>



Volvo Construction  
Equipment  
1015774

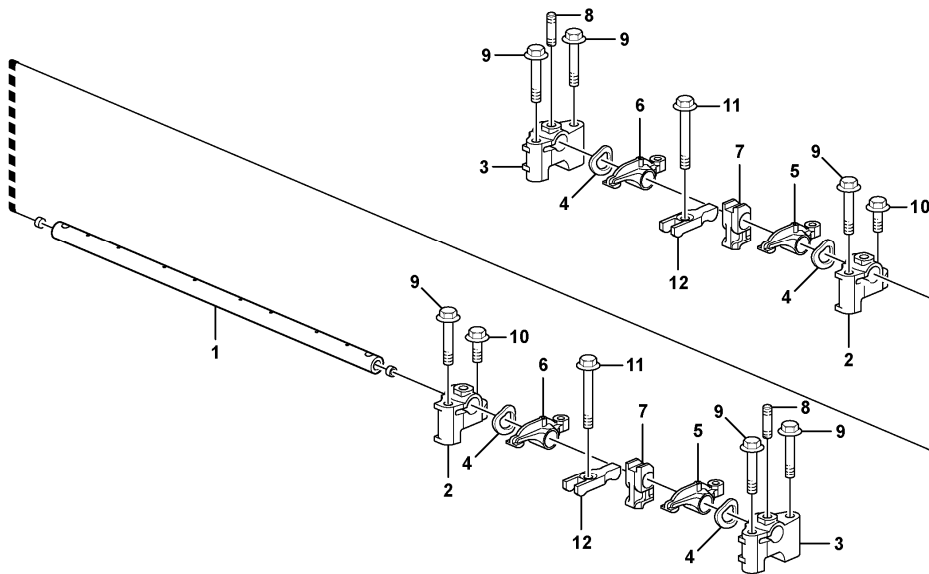
Section option	Kit	Option description
VOE11852929		Engine
VOE11858382		Engine TIER 3, US & EU MARKET

Q1-Q5	Option	Option description	
Q1 11858382	VOE11858382	Engine TIER 3, US & EU MARKET	

Pos	Part	Q1	Q2	Q3	Q4	Q5	PS	Kit	Description	Option(s)	Remark
	VOE11714294						NS		Rocker Arm		
1	VOE11714295	1							•Shaft		
2	VOE11714297	3							•Bearing housing		
3	VOE11714296	2							•Bearing housing		
4	VOE15104326	8					SS		•Washer		
5	VOE11714299	4							•Rocker arm		
6	VOE11714300	4							•Rocker arm		
7	VOE11714301	4							•Retainer		



Date: <b>2013/10/20</b>	Image id: <b>1015774</b>	Catalogue: <b>20163</b>	Model: <b>MC70B</b>
Brand: <b>Volvo</b>	Serial: <b>71000-</b>	Group/Section: <b>211/160</b>	Title: <b>Valve mechanism</b>



Volvo Construction  
Equipment  
1015774

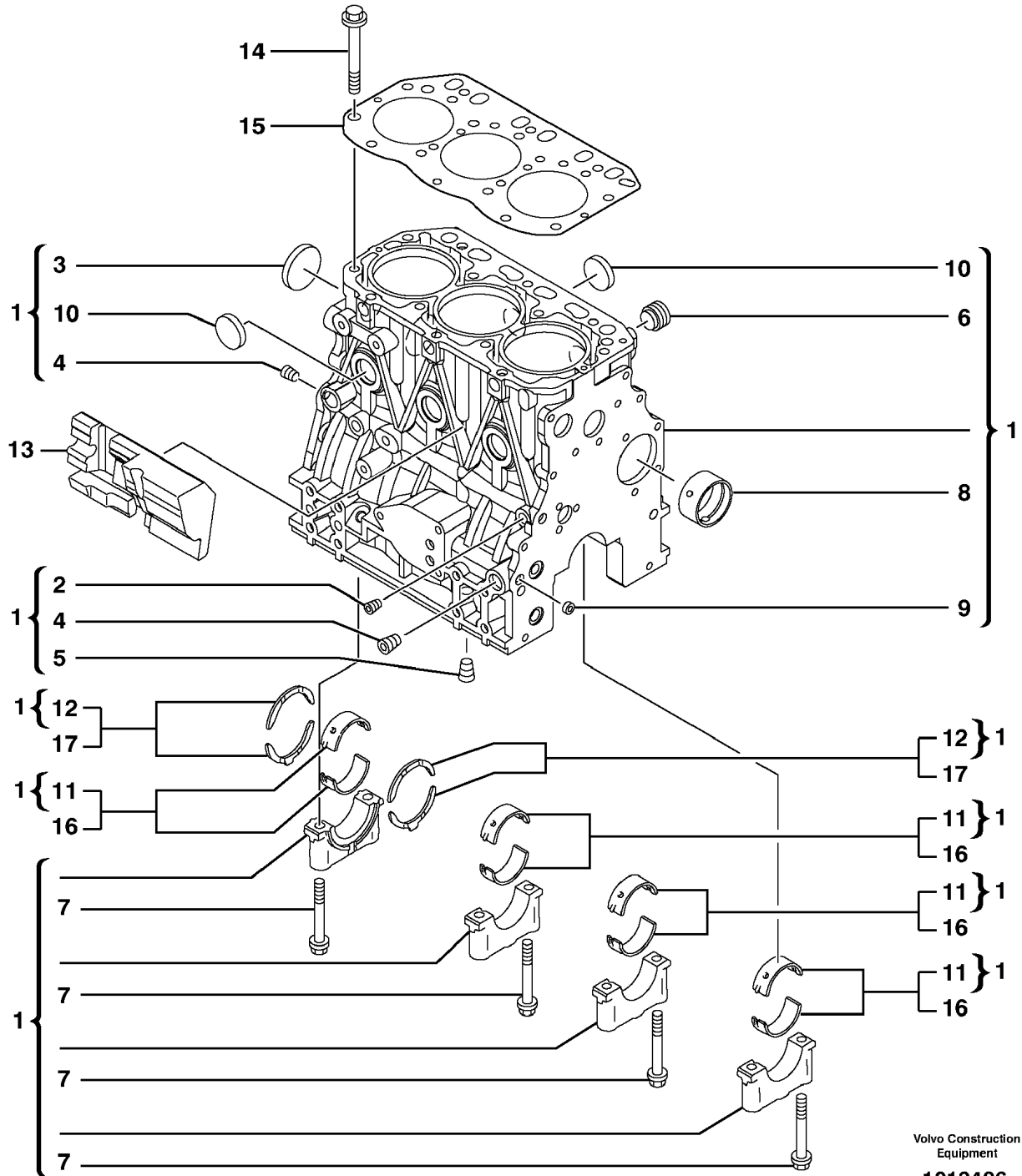
Section option	Kit	Option description
VOE11858378		Engine TIER 2A, INTERNATIONAL MARKET
VOE15635469		Engine TIER 2A, INTERNATIONAL MARKET

Q1-Q5	Option	Option description	
Q1 11858378	VOE11858378	Engine TIER 2A, INTERNATIONAL MARKET	

Pos	Part	Q1	Q2	Q3	Q4	Q5	PS	Kit	Description	Option(s)	Remark
	VOE11714294						NS		Rocker Arm		
1	VOE11714295	1							•Shaft		
2	VOE11714297	3							•Bearing housing		
3	VOE11714296	2							•Bearing housing		
4	VOE11714298	8							•Washer		
5	VOE11714299	4							•Rocker arm		
6	VOE11714300	4							•Rocker arm		
7	VOE11714301	4							•Retainer		



Date: <b>2013/10/20</b>	Image id: <b>1012496</b>	Catalogue: <b>20163</b>	Model: <b>MC70B</b>
Brand: <b>Volvo</b>	Serial: <b>71000-</b>	Group/Section: <b>212/100</b>	Title: <b>Cylinder block</b>



Volvo Construction  
Equipment  
1012496

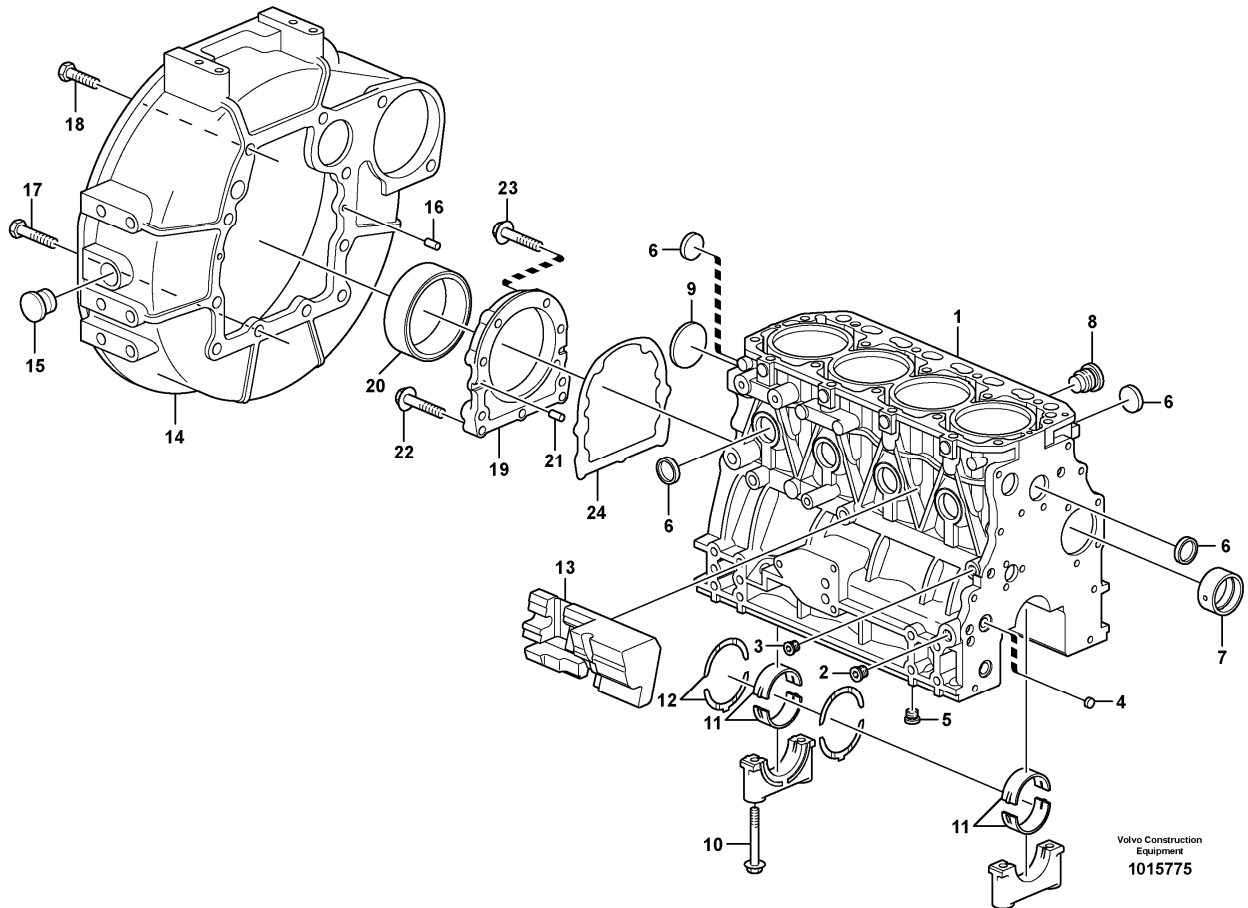
Section option	Kit	Option description
VOE11852929		Engine

VOE11858382		Engine TIER 3, US & EU MARKET
-------------	--	-------------------------------

Q1-Q5	Option	Option description	
Q1 11858382	VOE11858382	Engine TIER 3, US & EU MARKET	

Pos	Part	Q1	Q2	Q3	Q4	Q5	PS	Kit	Description	Option(s)	Remark
1	VOE15097284	1							Block		
2	VOE11713317	1							•Plug		
3	VOE11713559	1							•Plug		
4	VOE11713320	2							•Plug		
5	VOE11713320	1							•Plug		
6	VOE11713560	1							•Plug		
7	VOE11713561	8							•Bolt		
8	VOE15082444	1							•Bushing		
9	VOE11713329	2							•Plug		
10	VOE11714369	6							•Plug		
11		4					NS		•Bushing		STD SZ
12	VOE15082453	2							•Thrust washer		
13	VOE11713587	1							Spacer		
14	VOE11713588	14							Flange screw		
15	VOE11713589	1							Cylinder head gasket		
16	VOE15082457	4							Bearing kit		STD
16	VOE15082494	4							Bearing arrangement		US = 0,25MM
17	VOE15082449	1							Thrust Bearing		0,25 MM 4 PC

Date: <b>2013/10/20</b>	Image id: <b>1015775</b>	Catalogue: <b>20163</b>	Model: <b>MC70B</b>
Brand: <b>Volvo</b>	Serial: <b>71000-</b>	Group/Section: <b>212/110</b>	Title: <b>Cylinder block</b>



Section option	Kit	Option description
VOE11858378		Engine TIER 2A, INTERNATIONAL MARKET
VOE15635469		Engine TIER 2A, INTERNATIONAL MARKET

Q1-Q5	Option	Option description
Q1 11858378	VOE11858378	Engine TIER 2A, INTERNATIONAL MARKET

Pos	Part	Q1	Q2	Q3	Q4	Q5	PS	Kit	Description	Option(s)	Remark
1	VOE11714248	1							Cylinder block		
2	VOE11713320	2							•Plug		
3	VOE11713317	1							•Plug		
4	VOE11713329	2							•Plug		
5	VOE11713320	1							•Plug		
6	VOE11714369	8							•Plug		
7	VOE11713562	1							•Camshaft bushing		
8	VOE11713560	1							•Plug		

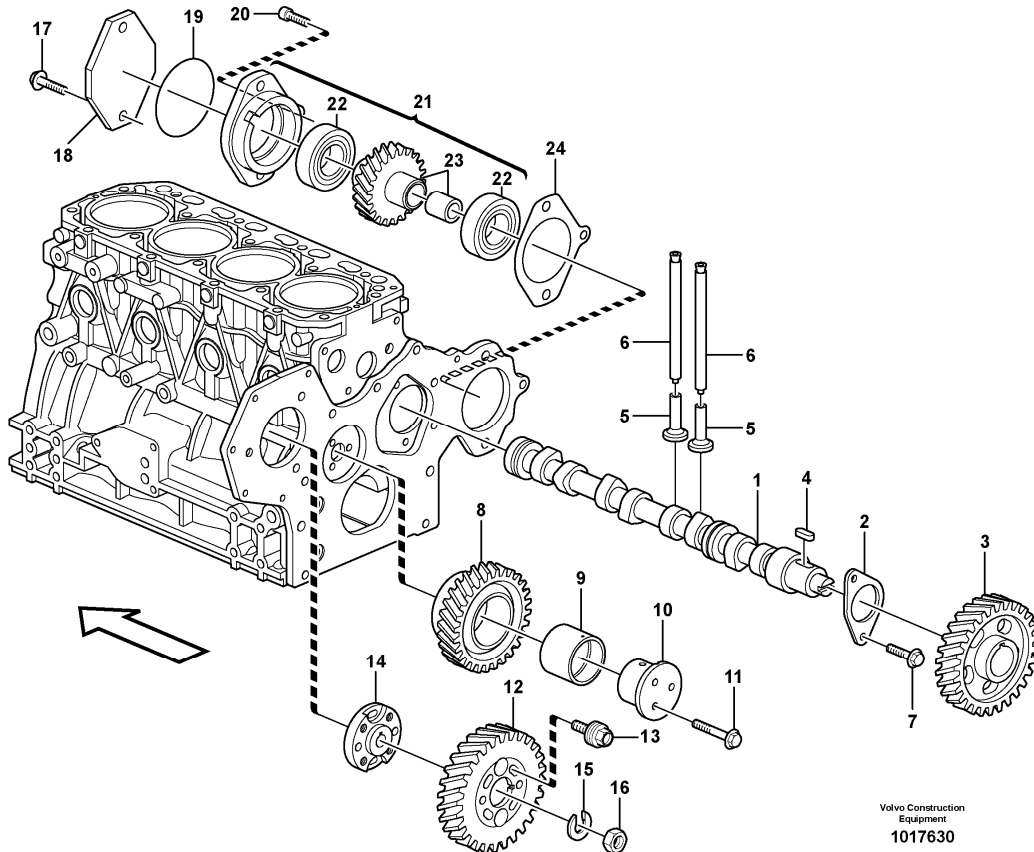
9	VOE11713559	1							•Plug		
10	VOE11713561	10							•Bolt		
11	VOE15082457	5							•Bearing kit		(VOE11713570)STD SZ
	VOE11713590	5							•Main bearing shell		0.25 MM O SZ
12	VOE11713573	2							•Thrust bearing		STD SZ
	VOE11713591	2							•Thrust bearing		0.25 MM O SZ
13	VOE11713587	1							Spacer		
14	VOE11713633	1							Housing		
15	VOE11713372	1							Cap		
16	VOE11714376	2							Pin		
17	VOE11713634	4							Bolt		
18	VOE11713373	6							Bolt		
19	VOE11714282	1							Cover		
20	VOE11714283	1							•Sealing ring		
21	VOE11714376	2							Pin		
22	VOE11714281	3							Flange screw		
23	VOE11713643	6							Bolt		
24	VOE11713514	1							Sealant		





5	VOE11713634	4							Bolt		
6	VOE11714376	2							Pin		(SA8210-03530)
7	VOE15103087	1							Case		
8	VOE15103091	1							•Sealing		
9	VOE11713643	6							Bolt		
10	VOE11714281	3							Flange screw		

Date: <b>2013/10/20</b>	Image id: <b>1017630</b>	Catalogue: <b>20163</b>	Model: <b>MC70B</b>
Brand: <b>Volvo</b>	Serial: <b>71000-</b>	Group/Section: <b>214/100</b>	Title: <b>Valve mechanism</b>



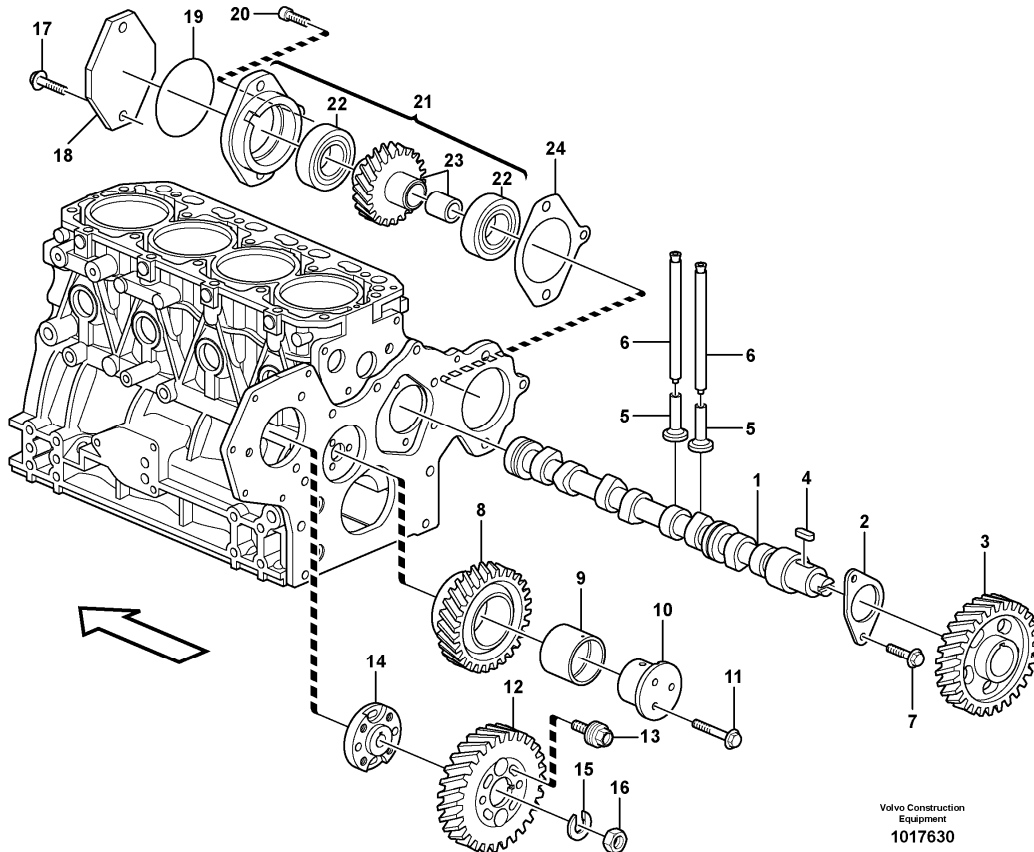
Section option	Kit	Option description
VOE11852929		Engine
VOE11858382		Engine TIER 3, US & EU MARKET

Q1-Q5	Option	Option description
Q1 11858382	VOE11858382	Engine TIER 3, US & EU MARKET

Pos	Part	Q1	Q2	Q3	Q4	Q5	PS	Kit	Description	Option(s)	Remark
1	VOE11714333	1							Camshaft		
2		1					NS		•Thrust Washer		
3		1					NS		•Camshaft Gear		
4		1					NS		•Key		
5	VOE11714485	8							Tappet		
6	VOE11713678	8							Rod		
7	VOE14525410	2							Bolt		
8	VOE15079637	1							Gear		

9	VOE15079646	1							Bushing		
10	VOE15079645	1							Shaft		
11	VOE11714388	3							Bolt		
12	VOE11714338	1							Gear		
13	VOE11713415	4							Bolt		
14	VOE11714339	1							Flange		
15	VOE11714345	1							Spring washer		
16	VOE11714347	1							Lock nut		
17	VOE11714348	2							Bolt		
18	VOE15067560	1							Gear housing cover		
19	VOE11714346	1							O-ring		
20	VOE11714349	1							Bolt		
21	VOE11714342	1							Gear		
22	VOE11714344	2							•Ball bearing		
23	VOE11714343	1							•Gear		
24	VOE11714341	1							Gasket		

Date: <b>2013/10/20</b>	Image id: <b>1017630</b>	Catalogue: <b>20163</b>	Model: <b>MC70B</b>
Brand: <b>Volvo</b>	Serial: <b>71000-</b>	Group/Section: <b>214/110</b>	Title: <b>Valve mechanism</b>



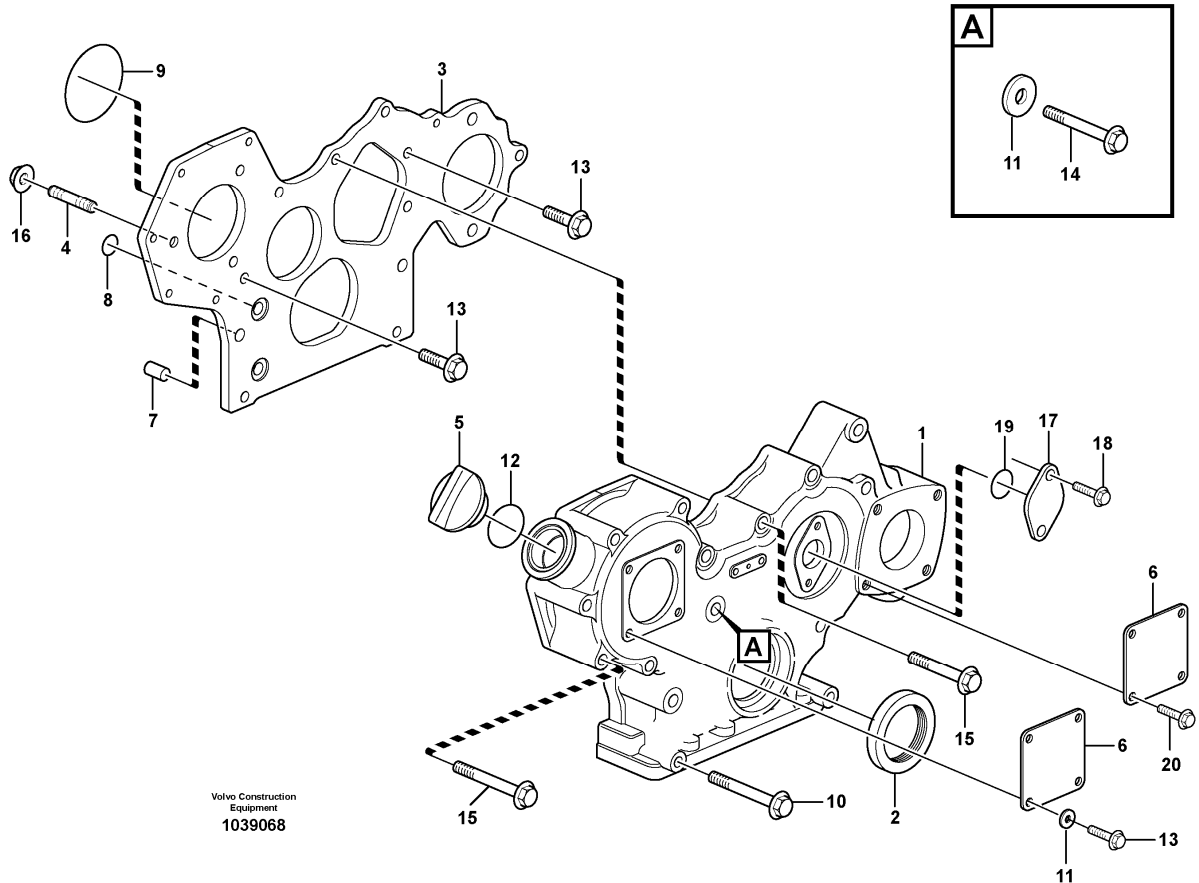
Section option	Kit	Option description
VOE11858378		Engine TIER 2A, INTERNATIONAL MARKET
VOE15635469		Engine TIER 2A, INTERNATIONAL MARKET

Q1-Q5	Option	Option description
Q1 11858378	VOE11858378	Engine TIER 2A, INTERNATIONAL MARKET

Pos	Part	Q1	Q2	Q3	Q4	Q5	PS	Kit	Description	Option(s)	Remark
1	VOE11714333	1							Camshaft		
2		1					NS		•Thrust Washer		
3		1					NS		•Camshaft Gear		
4		1					NS		•Key		
5	VOE11714485	8							Tappet		
6	VOE11713678	8							Rod		
7	VOE14525410	2							Bolt		
8	VOE11713681	1							Gear		

9	VOE11714337	1					NS		•Bushing		
10	VOE11713680	1							Shaft		
11	VOE11714487	3							Bolt		
12	VOE11714338	1							Gear		
13	VOE11713415	4							Bolt		
14	VOE11714339	1							Flange		
15	VOE11714345	1							Spring washer		
16	VOE11714347	1							Lock nut		
17	VOE11714348	2							Bolt		
18	VOE11714340	1					NS		Cover		
19	VOE11714346	1							O-ring		
20	VOE11714349	1							Bolt		
21	VOE11714342	1							Gear		
22	VOE11714344	2							•Ball bearing		
23	VOE11714343	1							•Gear		
24	VOE11714341	1							Gasket		

Date: <b>2013/10/20</b>	Image id: <b>1039068</b>	Catalogue: <b>20163</b>	Model: <b>MC70B</b>
Brand: <b>Volvo</b>	Serial: <b>71000-</b>	Group/Section: <b>215/100</b>	Title: <b>Timing gear casing and gears</b>



Section option	Kit	Option description
VOE11852929		Engine
VOE11858382		Engine TIER 3, US & EU MARKET

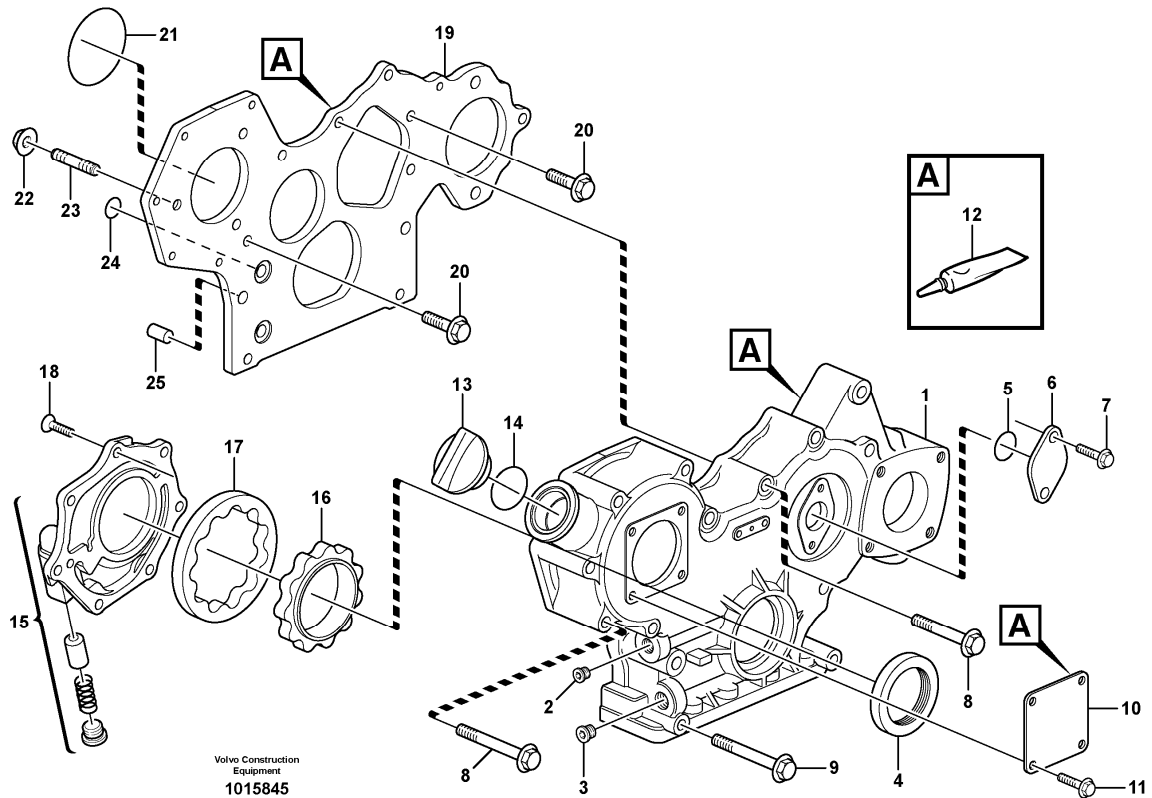
Q1-Q5	Option	Option description	
Q1 11858382	VOE11858382	Engine TIER 3, US & EU MARKET	

Pos	Part	Q1	Q2	Q3	Q4	Q5	PS	Kit	Description	Option(s)	Remark
1	VOE15102059	1							Gear housing		
2	VOE15082439	1							•Sealing		
3		1					NS		Plate		
4	VOE15079309	3							Ball pin		
5	VOE11714383	1							Cap		
6	VOE11714370	2							Cover		
7	VOE11713620	2							Pipe		
8	VOE11713621	2							O-ring		

9	VOE11713305	1						O-ring		
10	VOE11714271	3						Flange screw		
11	VOE11714476	5						Sealing washer		
12	VOE11714371	1						O-ring		
13	VOE11714372	7						Bolt		
14	VOE11714508	1						Bolt		
15	VOE11714373	10						Bolt		
16	VOE14521543	3						Nut		
17	VOE15080008	1						Cover		
18	VOE11714374	2						Bolt		
19	VOE11713626	1						O-ring		
20	VOE11714490	4						Bolt		



Date: <b>2013/10/20</b>	Image id: <b>1015845</b>	Catalogue: <b>20163</b>	Model: <b>MC70B</b>
Brand: <b>Volvo</b>	Serial: <b>71000-</b>	Group/Section: <b>215/110</b>	Title: <b>Timing gear casing and gears</b>



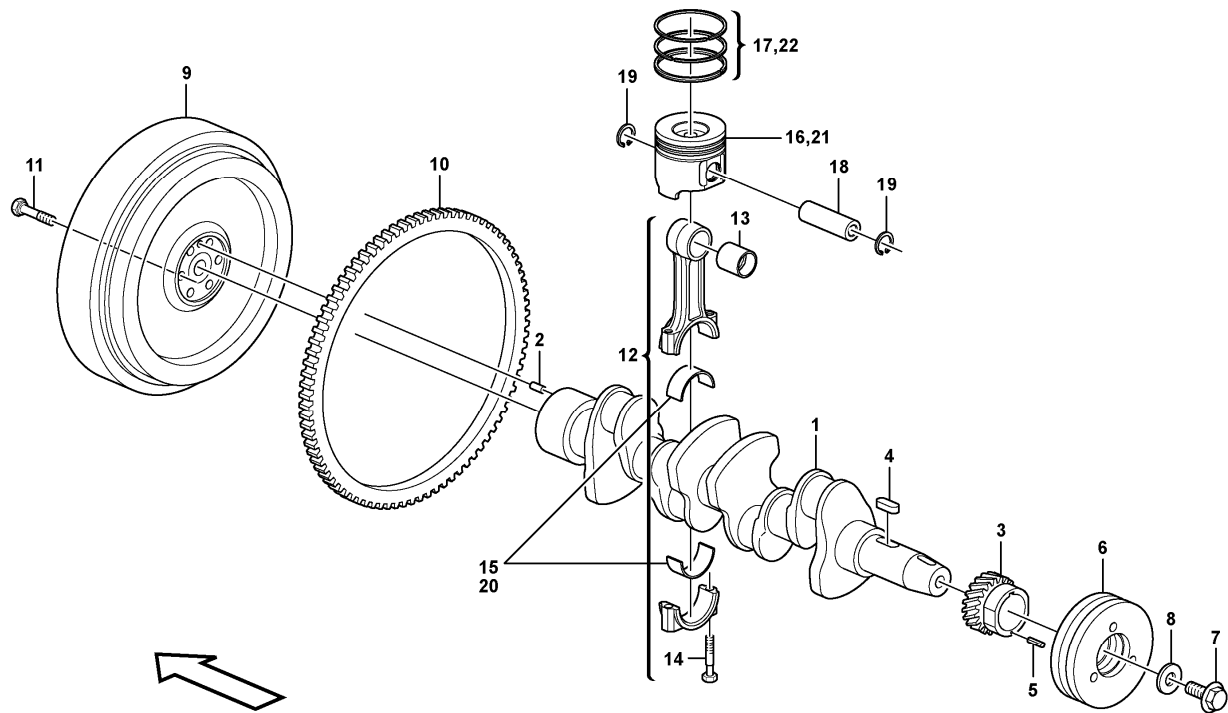
Section option	Kit	Option description
VOE11858378		Engine TIER 2A, INTERNATIONAL MARKET
VOE15635469		Engine TIER 2A, INTERNATIONAL MARKET

Q1-Q5	Option	Option description	
Q1 11858378	VOE11858378	Engine TIER 2A, INTERNATIONAL MARKET	

Pos	Part	Q1	Q2	Q3	Q4	Q5	PS	Kit	Description	Option(s)	Remark
1	VOE11714259	1							Timing gear casing		
2	VOE14521504	1							•Plug		
3	VOE11713615	1							•Plug		
4	VOE11713616	1							•Sealing		
5	VOE11713626	1							O-ring		
6	VOE11713625	1							Cover		
7	VOE11714374	2							Bolt		
8	VOE11714373	11							Bolt		

9	VOE11714271	3							Flange screw		
10	VOE11714370	1							Cover		
11	VOE11714372	4							Bolt		
12	VOE11713514	1							Sealant		
13	VOE11714383	1							Cap		
14	VOE11714371	1							O-ring		
15	VOE11713617	1							Oil pump		
16	VOE11714269	1							Sun gear		
17	VOE11714270	1							Ring gear		
18	VOE11713356	7							Screw		
19	VOE11714265	1							Plate		
20	VOE11714372	3							Bolt		
21	VOE11713305	1							O-ring		
22	VOE14521543	3							Nut		
23	VOE11713619	3							Stud		
24	VOE11713621	4							O-ring		
25	VOE11713620	2							Pipe		

Date: <b>2013/10/20</b>	Image id: <b>1017695</b>	Catalogue: <b>20163</b>	Model: <b>MC70B</b>
Brand: <b>Volvo</b>	Serial: <b>71000-</b>	Group/Section: <b>216/100</b>	Title: <b>Crankshaft and related parts</b>



Volvo Construction  
Equipment  
1017695

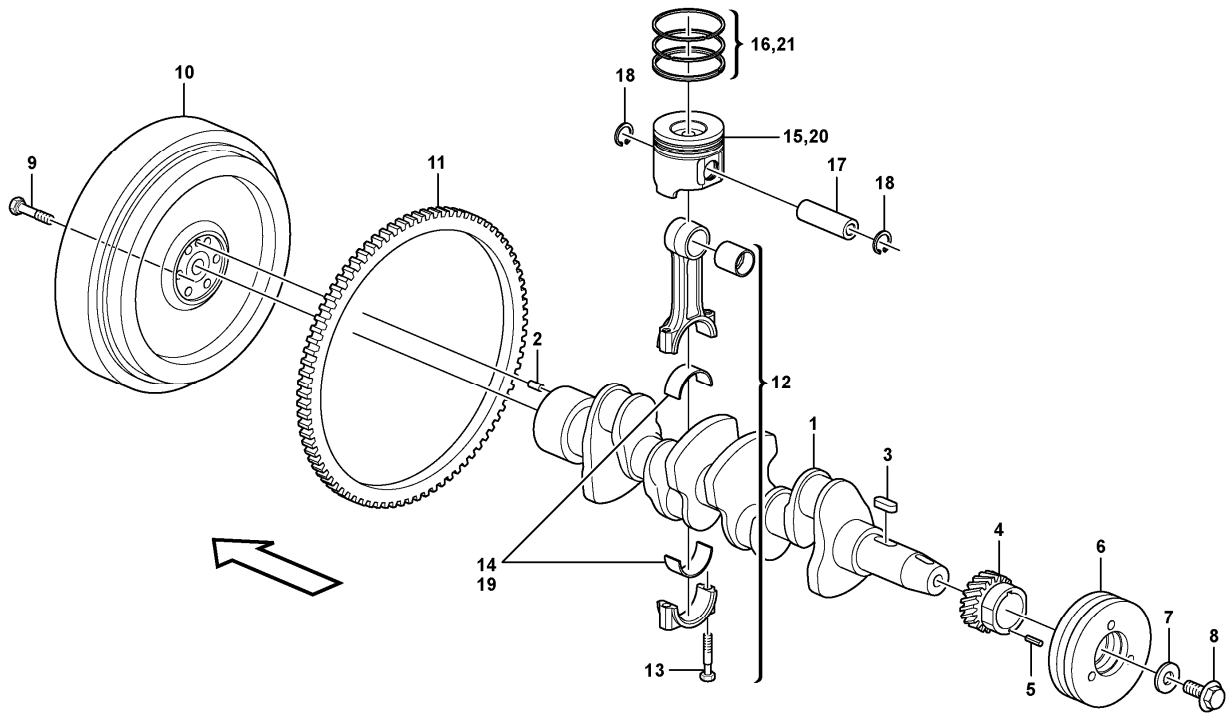
Section option	Kit	Option description
VOE11852929		Engine
VOE11858382		Engine TIER 3, US & EU MARKET

Q1-Q5	Option	Option description
Q1 11858382	VOE11858382	Engine TIER 3, US & EU MARKET

Pos	Part	Q1	Q2	Q3	Q4	Q5	PS	Kit	Description	Option(s)	Remark
1	VOE15102066	1							Crankshaft		
2	VOE11714376	1							•Pin		
3	VOE15079971	1							•Gear		
4	VOE11714468	1							•Key		
5	VOE11713687	1							Pin		
6	VOE11714357	1							Pulley		
7	VOE11713690	1							Bolt		
8	VOE11713689	1							Washer		

9	VOE11714360	1							Flywheel		
10	VOE11713419	1							•Starter gear ring		
11	VOE11713431	6							Bolt		
12	VOE11713696	4							Connecting rod		
13	VOE11714724	4							•Bushing		
14	VOE11713697	8							•Bolt		
15	VOE15079972	4							•Bearing bushing		STD SZ
16	VOE15102069	4							Piston		STD SZ
17	VOE15102067	4							•Piston ring kit		STD SZ
18	VOE11713694	4							Pin		
19	VOE11713695	8							Retaining ring		
20	VOE15079973	4							Bearing bushing		0.25 MM O SZ
21	VOE15102070	4							Piston		0.25 MM O SZ
22	VOE15102071	4							Piston ring kit		0.25 MM O SZ

Date: <b>2013/10/20</b>	Image id: <b>1017633</b>	Catalogue: <b>20163</b>	Model: <b>MC70B</b>
Brand: <b>Volvo</b>	Serial: <b>71000-</b>	Group/Section: <b>216/110</b>	Title: <b>Crankshaft and related parts</b>



Volvo Construction  
Equipment  
1017633

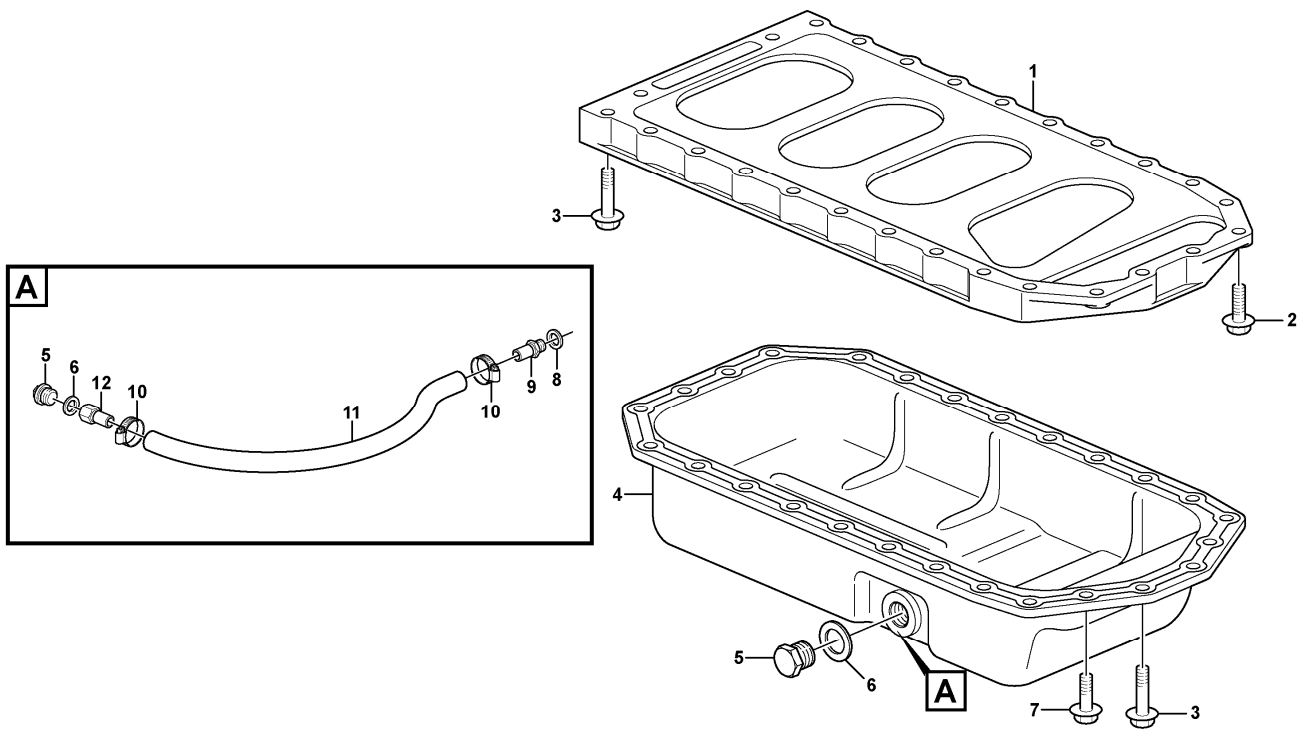
Section option	Kit	Option description
VOE11858378		Engine TIER 2A, INTERNATIONAL MARKET
VOE15635469		Engine TIER 2A, INTERNATIONAL MARKET

Q1-Q5	Option	Option description
Q1 11858378	VOE11858378	Engine TIER 2A, INTERNATIONAL MARKET

Pos	Part	Q1	Q2	Q3	Q4	Q5	PS	Kit	Description	Option(s)	Remark
1	VOE11714354	1							Crankshaft		
2	VOE11714376	1							•Pin		
3	VOE11714468	1							•Key		
4	VOE11714355	1							•Gear		
5	VOE11713687	1							Pin		
6	VOE11714357	1							Pulley		
7	VOE11713689	1							Washer		
8	VOE11713690	1							Bolt		

9	VOE11713431	6							Bolt		
10	VOE11714360	1							Flywheel		
11	VOE11713419	1							•Starter gear ring		
12	VOE11713696	4							Connecting rod		
	VOE11714724	4							•Bushing		
13	VOE11713697	8							•Bolt		
14	VOE11713698	4							•Bearing		STD SZ
15	VOE11714361	4							Piston		STD SZ
16	VOE11714362	4							•Piston		STD SZ
17	VOE11713694	4							Pin		
18	VOE11713695	8							Retaining ring		
19	VOE11713699	4							Bearing		0.25 MM O SZ
20	VOE11714389	4							Piston		0.25 MM O SZ
21	VOE11714390	4							Piston ring		0.25 MM O SZ

Date: <b>2013/10/20</b>	Image id: <b>1015846</b>	Catalogue: <b>20163</b>	Model: <b>MC70B</b>
Brand: <b>Volvo</b>	Serial: <b>71000-</b>	Group/Section: <b>217/100</b>	Title: <b>Oil sump</b>



Volvo Construction  
Equipment  
1015846

Section option	Kit	Option description
VOE11840379		Oil drain cplt. kit
VOE11852929		Engine
VOE11858382		Engine TIER 3, US & EU MARKET

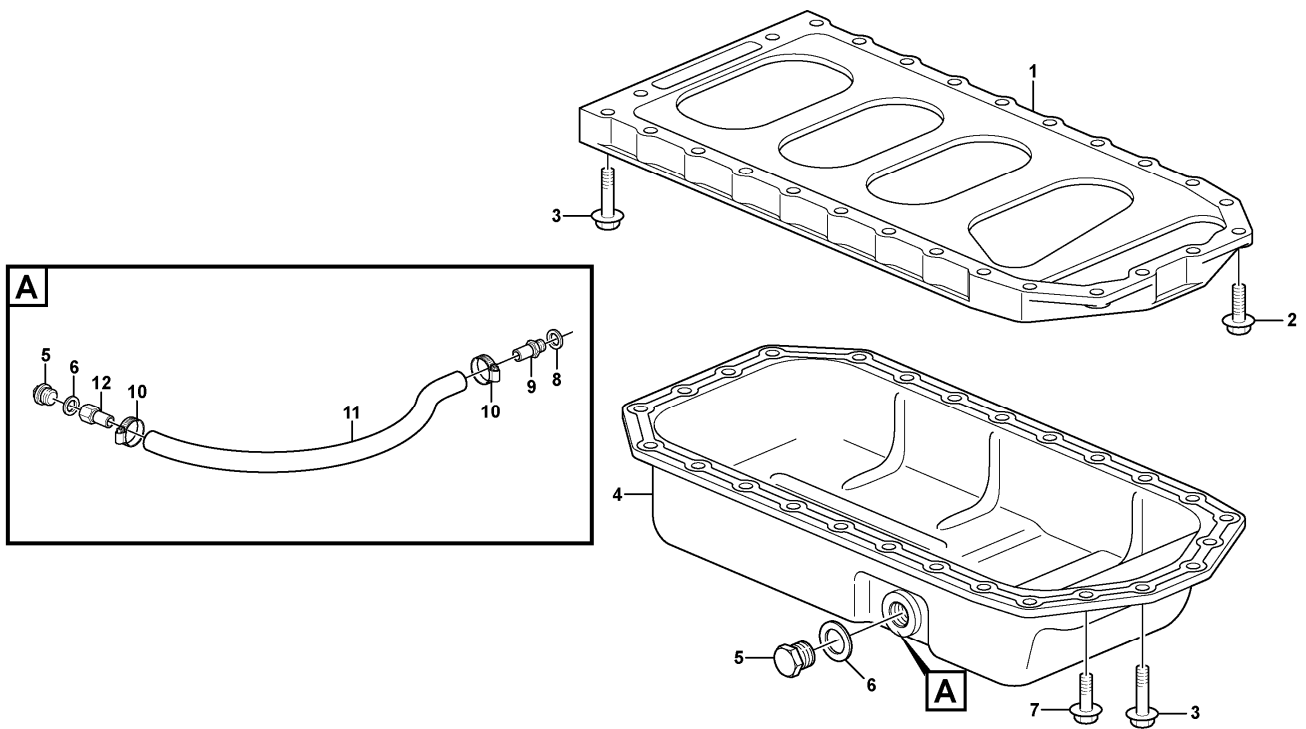
Q1-Q5	Option	Option description	
Q1 11858382	VOE11858382	Engine TIER 3, US & EU MARKET	
Q2 11840379	VOE11840379	Oil drain cplt. kit	

Pos	Part	Q1	Q2	Q3	Q4	Q5	PS	Kit	Description	Option(s)	Remark
1	VOE11714276	1							Spacer		
2	VOE11713640	2							Bolt		
3	VOE11714377	24							Bolt		
4	VOE11714277	1							Oil pan		
5	VOE11713638	1							•Drain plug		
6	VOE11713639	1							•Sealing		

7	VOE11714372	4							Bolt		
8	VOE948885		1						Plane gasket		
9	VOE948931		1						Nipple		
10	VOE943475		2						Hose clamp		
11	VOE13961193		REQ						Hydraulic hose		L = 500 MM
12	VOE11852124		1						Nipple		



Date: <b>2013/10/20</b>	Image id: <b>1015846</b>	Catalogue: <b>20163</b>	Model: <b>MC70B</b>
Brand: <b>Volvo</b>	Serial: <b>71000-</b>	Group/Section: <b>217/110</b>	Title: <b>Oil sump</b>



Volvo Construction  
Equipment  
1015846

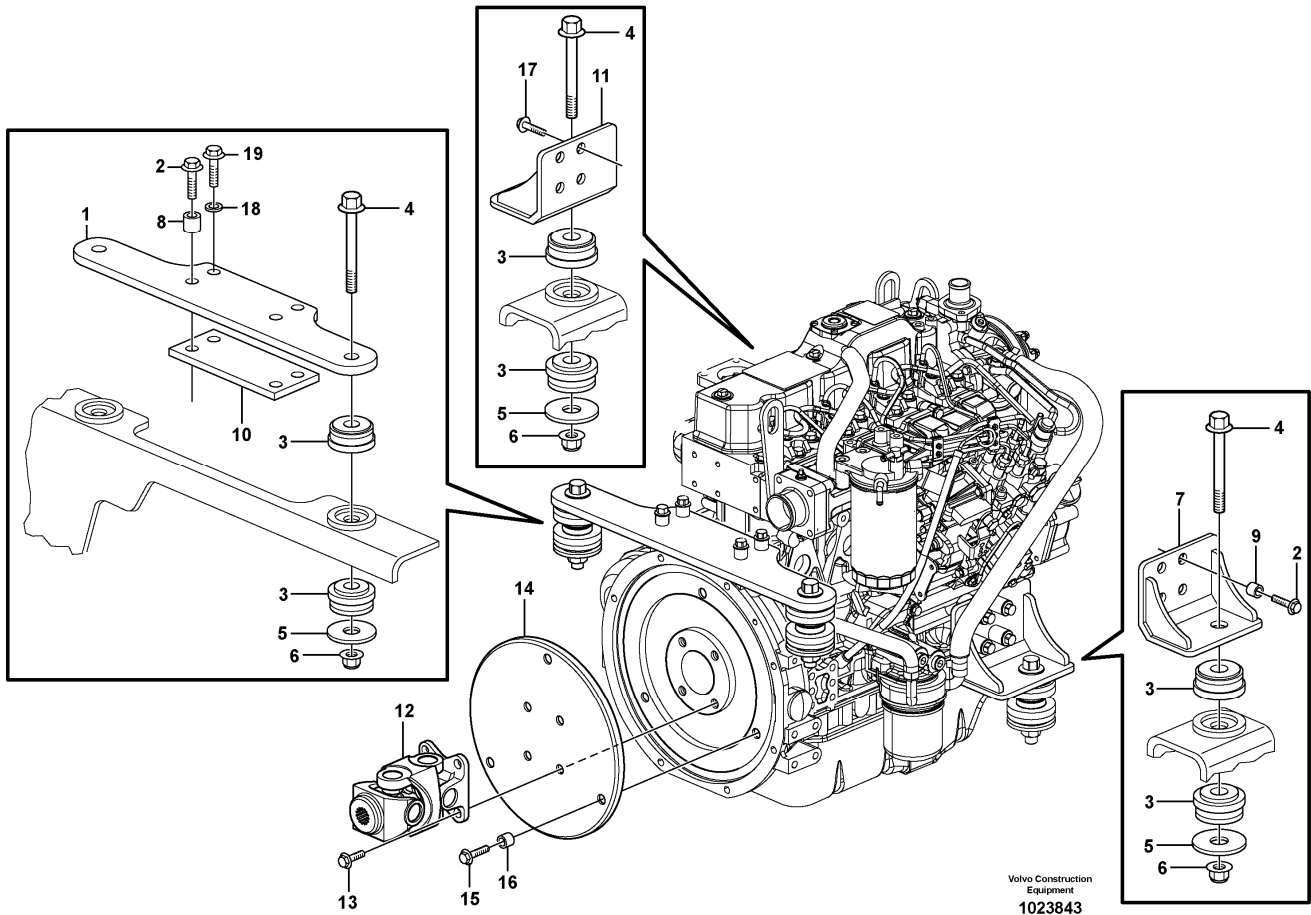
Section option	Kit	Option description
VOE11840379		Oil drain cplt. kit
VOE11858378		Engine TIER 2A, INTERNATIONAL MARKET
VOE15635469		Engine TIER 2A, INTERNATIONAL MARKET

Q1-Q5	Option	Option description	
Q1 11858378	VOE11858378	Engine TIER 2A, INTERNATIONAL MARKET	
Q2 11840379	VOE11840379	Oil drain cplt. kit	

Pos	Part	Q1	Q2	Q3	Q4	Q5	PS	Kit	Description	Option(s)	Remark
1	VOE11714276	1							Spacer		
2	VOE11713640	2							Bolt		
3	VOE11714377	24							Bolt		
4	VOE11714277	1							Oil pan		
5	VOE11713638	1	1						•Drain plug		
6	VOE11713639	1	1						•Sealing		

7	VOE11714372	4							Bolt		
8	VOE948885		1						Plane gasket		
9	VOE948931		1						Nipple		
10	VOE943475		2						Hose clamp		
11	VOE13961193		REQ						Hydraulic hose		L = 500 MM
12	VOE11852124		1						Nipple		

Date: <b>2013/10/20</b>	Image id: <b>1023843</b>	Catalogue: <b>20163</b>	Model: <b>MC70B</b>
Brand: <b>Volvo</b>	Serial: <b>71000-</b>	Group/Section: <b>218/100</b>	Title: <b>Engine mounting</b>



Section option	Kit	Option description
VOE11852929		Engine

Pos	Part	Q1	Q2	Q3	Q4	Q5	PS	Kit	Description	Option(s)	Remark
1	VOE11850537	1							Plate		
2	VOE968163	9							Flange screw		
3	VOE11852528	8							Mount		
4	VOE968592	4							Flange screw		
5	VOE11850356	4							Washer		
6	VOE13967934	4							Flange lock nut		(VOE967934)
7	VOE11850533	1							Bracket		
8	VOE13930447	2							Spacer ring		
9	VOE843028	8							Spacer sleeve		
10	VOE11850538	1							Plate		
11	VOE11850877	1							Bracket		
12	VOE11840942	1							Ball joint		

13	VOE946441	4							Flange screw		
14	VOE11850592	1							Plate		
15	VOE946671	3							Flange screw		
16	VOE13948871	3							Spacer washer		
17	VOE946329	1							Flange screw		
18	VOE930842	2							Washer		
19	VOE983253	2							Hexagon screw		

Thank you so much for reading.  
Please click the “Buy Now!”  
button below to download the  
complete manual.



After you pay.

You can download the most  
perfect and complete manual in  
the world immediately.

Our support email:

[ebooklibonline@outlook.com](mailto:ebooklibonline@outlook.com)