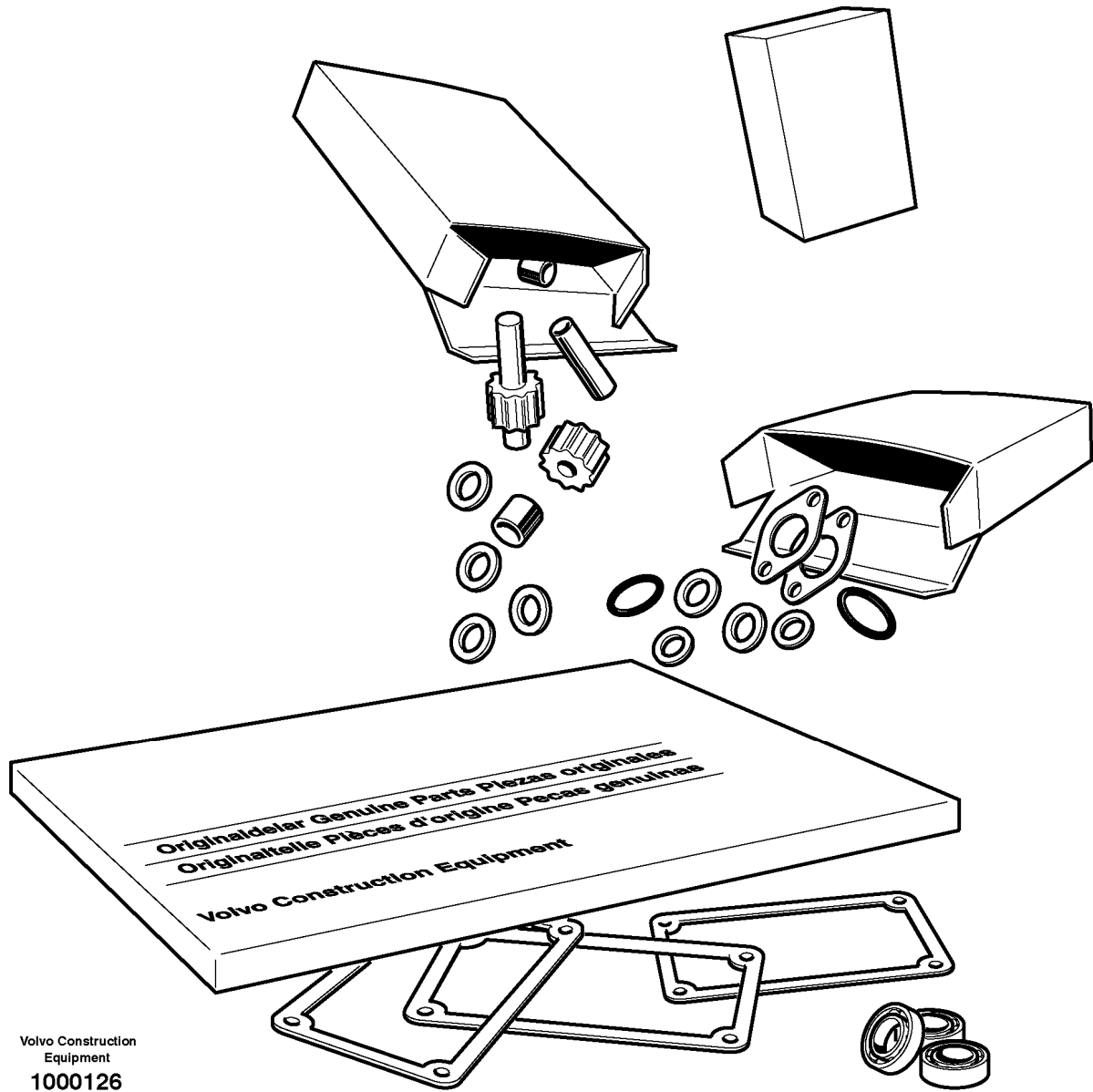


Date: 2013/10/21	Image id: 1000126	Catalogue: 20164	Model: MC80B
Brand: Volvo	Serial: 71000-	Group/Section: 210/100	Title: Repair kits for engine



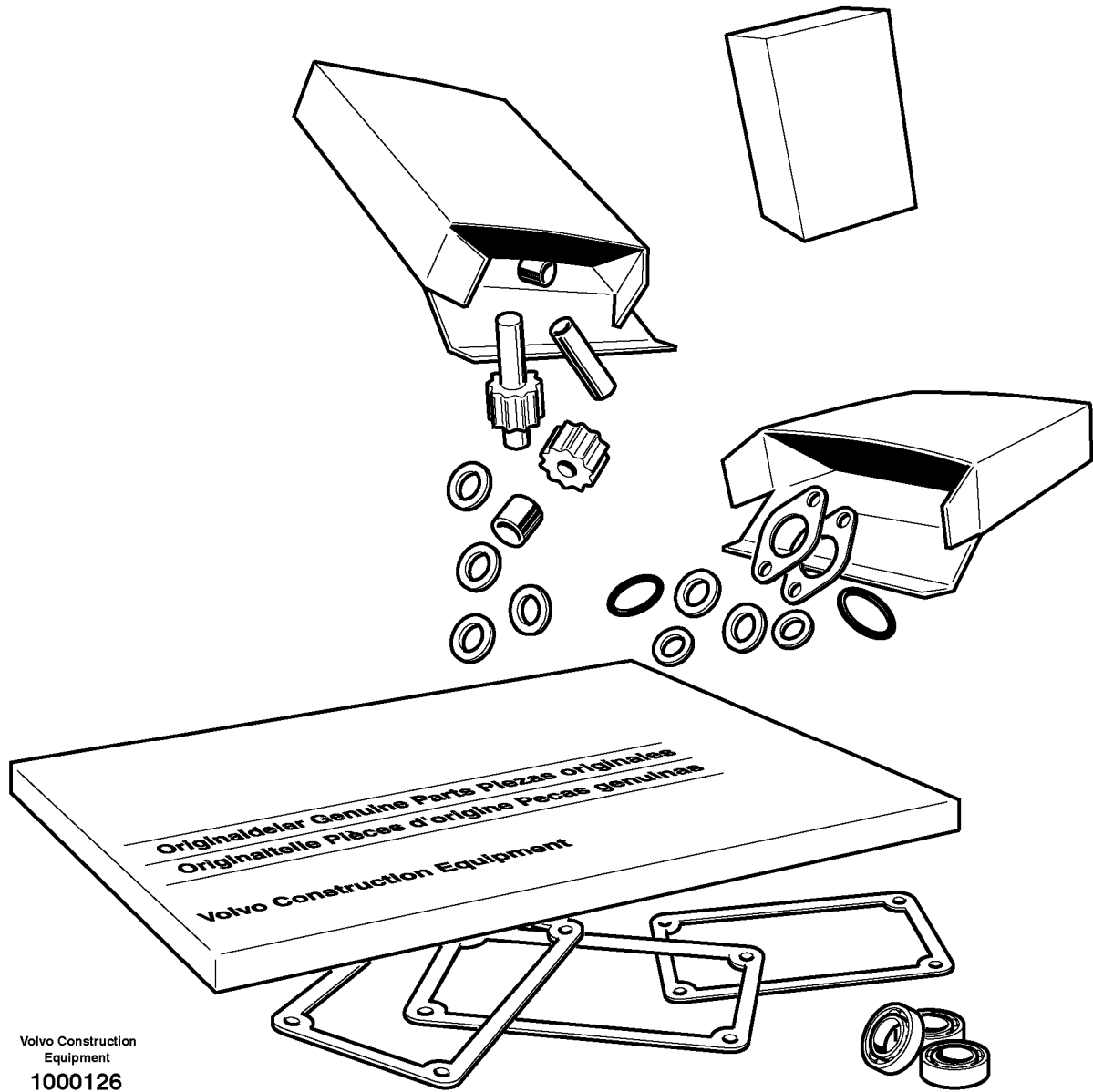
Section option	Kit	Option description
VOE11852930		Engine
VOE11858383		Engine TIER 3, US & EU MARKET

Q1-Q5	Option	Option description
Q1 11858383	VOE11858383	Engine TIER 3, US & EU MARKET

Pos	Part	Q1	Q2	Q3	Q4	Q5	PS	Kit	Description	Option(s)	Remark
	VOE15102340	1							Gasket kit		

	VOE14528171	1					SS		•Cylinder head gasket		
	VOE11714738	2							•O-ring		
	VOE11714739	1							•O-ring		
	SA8210-08860	2							•O-ring		
	VOE14521512	1							•Wrapping		
	VOE11714371	2							•O-ring		
	VOE11713639	1							•Sealing		
	VOE15057732	4							•Valve seal		
	VOE14521527	4							•Valve seal		
	VOE14521532	4							•Protection		
	VOE11714381	1							•Seat		
	VOE11714386	3							•O-ring		
	VOE15057758	1							•Valve cover gasket		
	VOE14521554	1							•Gasket		
	VOE11714827	1							•Gasket		
	VOE11714741	1							•Gasket		
	VOE11714737	1							•Gasket		
	VOE15066176	1							•Gasket		
	VOE15066187	1							•Gasket		
	VOE15066188	1							•Gasket		
	VOE11714614	2							•Gasket		
	VOE14509382	2							•O-ring		
	VOE11713783	1							•O-ring		
	VOE11714476	1							•Sealing washer		
	VOE11714879	1							•Gasket		
	VOE11714871	1							•O-ring		
	VOE11714477	1							•Gasket		
	VOE11714740	1							•Gasket		
	VOE11714875	1							•Gasket		
	VOE11714478	1							•Gasket		
	VOE11713313	3							•Sealing		
	VOE14521606	2							•Gasket		

Date: 2013/10/21	Image id: 1000126	Catalogue: 20164	Model: MC80B
Brand: Volvo	Serial: 71000-	Group/Section: 210/110	Title: Repair kits for engine



Volvo Construction
Equipment
1000126

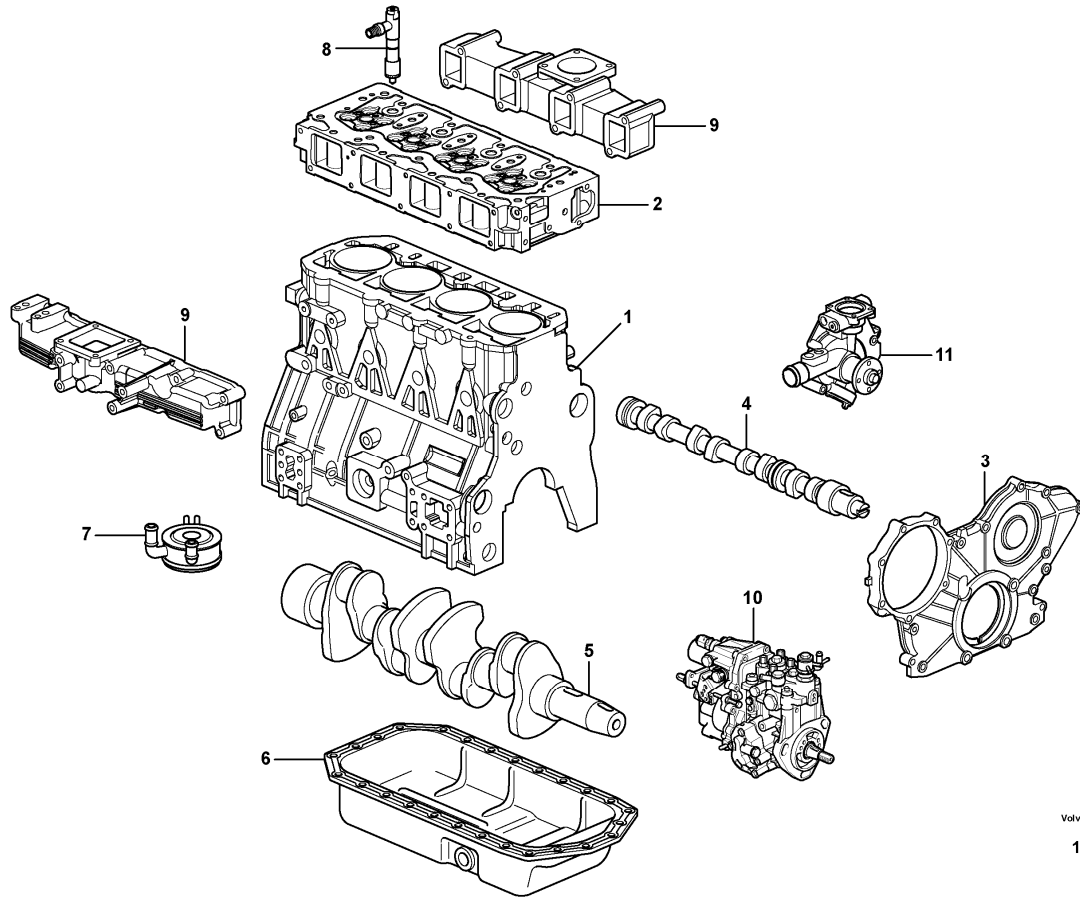
Section option	Kit	Option description
VOE11858379		Engine TIER 2A, INTERNATIONAL MARKET
VOE15635467		Engine TIER 2A, INTERNATIONAL MARKET

Q1-Q5	Option	Option description	
Q1 11858379	VOE11858379	Engine TIER 2A, INTERNATIONAL MARKET	

Pos	Part	Q1	Q2	Q3	Q4	Q5	PS	Kit	Description	Option(s)	Remark
	VOE11714736	1							Gasket kit		

VOE14509382	1								•O-ring		
VOE14521606	5								•Gasket		
VOE14528171	1					SS			Cylinder head gasket		
VOE14521527	8								•Valve seal		
VOE14521532	4								•Protection		
VOE11714381	4								•Seat		
VOE14521552	1								•Gasket		
VOE14521554	1								•Gasket		
VOE11714737	1								•Gasket		
VOE11714614	1								•Gasket		
VOE14521528	8								•Valve seal		
VOE11714738	2								•O-ring		
VOE11714739	1								•O-ring		
VOE11714346	1								•O-ring		
VOE11713639	1								•Sealing		
VOE11714740	1								•Gasket		
VOE11714741	1								•Gasket		
VOE11713783	1								•O-ring		
VOE11714875	1								•Gasket		
VOE11714478	2								•Gasket		
VOE11714871	2								•O-ring		
VOE11714386	8								•O-ring		
VOE11714371	2								•O-ring		
VOE11714476	7								•Sealing washer		
VOE14521512	1								•Wrapping		
VOE11714879	1								•Gasket		

Date: 2013/10/21	Image id: 1018250	Catalogue: 20164	Model: MC80B
Brand: Volvo	Serial: 71000-	Group/Section: 210/150	Title: Engine



Volvo Construction
Equipment
1018250

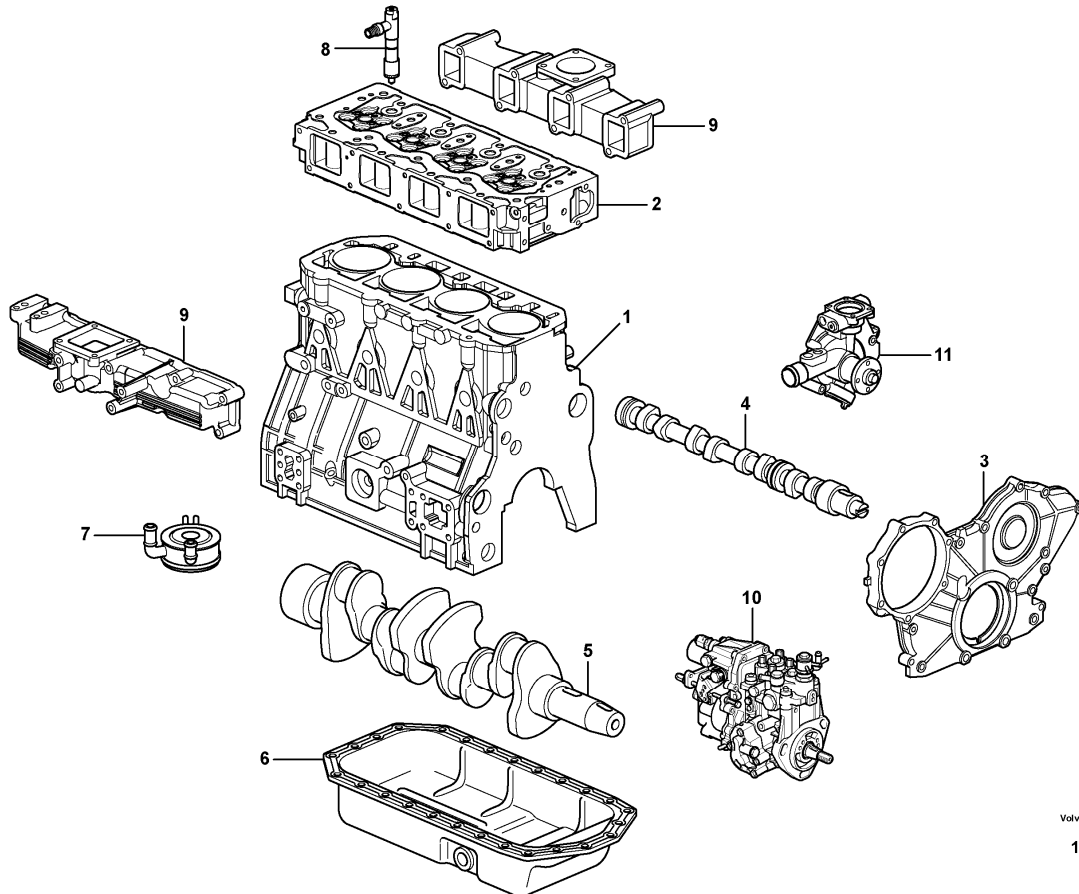
Section option	Kit	Option description
VOE11852930		Engine
VOE11858383		Engine TIER 3, US & EU MARKET

Q1-Q5	Option	Option description	
Q1 11858383	VOE11858383	Engine TIER 3, US & EU MARKET	

Pos	Part	Q1	Q2	Q3	Q4	Q5	PS	Kit	Description	Option(s)	Remark
	VOE11852930	1							Engine		
1		1							•Cylinder block		See ref 212/100
2		1							•Cylinder head		See ref 211/100
3		1							•Timing gear casing		See ref 215/100
4		1							•Camshaft		See ref 214/100
5		1							•Crankshaft		See ref 216/100
6		1							•Oil sump		See ref 217/100
7		1							•Oil cooler		See ref 220/100

8		4							•Injector		See ref 237/100
9		1							•Inlet, exhaust syst.		See ref 251/100
10		1							•Injection Pump		See ref 236/100
11		1							•Water Pump		See ref 262/100

Date: 2013/10/21	Image id: 1018250	Catalogue: 20164	Model: MC80B
Brand: Volvo	Serial: 71000-	Group/Section: 210/160	Title: Engine



Volvo Construction
Equipment
1018250

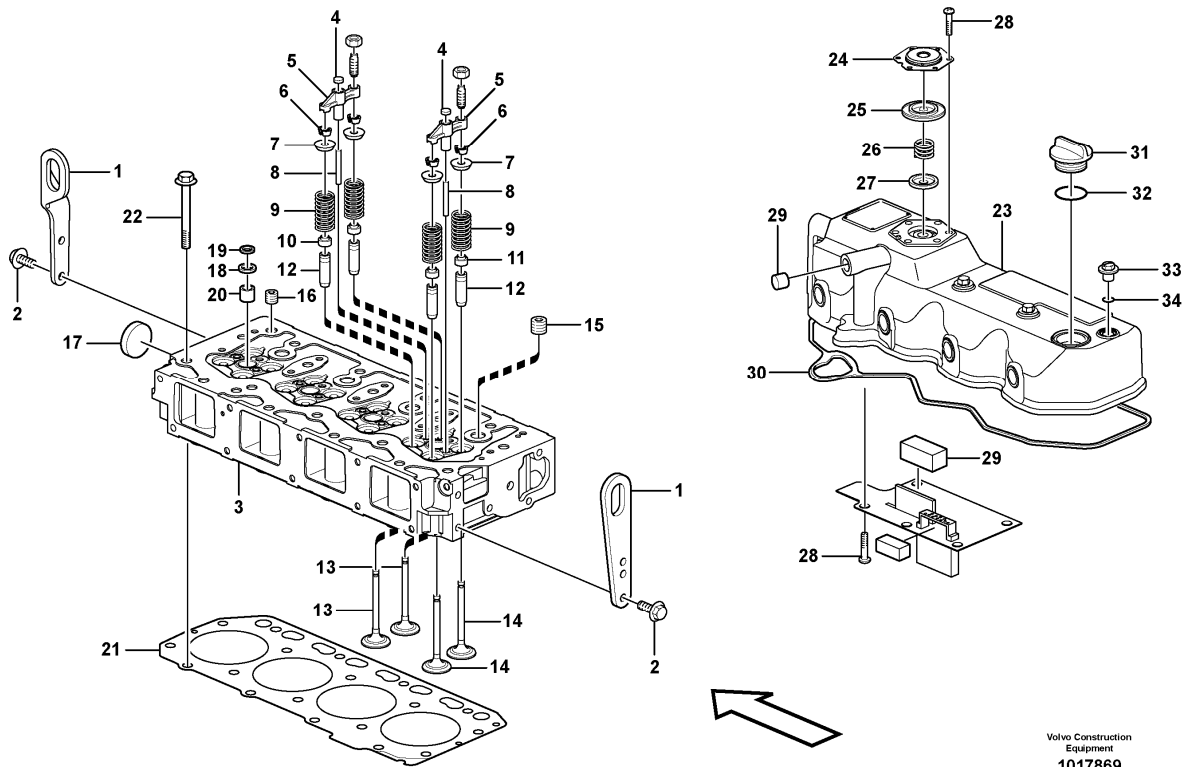
Section option	Kit	Option description
VOE11858379		Engine TIER 2A, INTERNATIONAL MARKET
VOE15635467		Engine TIER 2A, INTERNATIONAL MARKET

Q1-Q5	Option	Option description	
Q1 11858379	VOE11858379	Engine TIER 2A, INTERNATIONAL MARKET	

Pos	Part	Q1	Q2	Q3	Q4	Q5	PS	Kit	Description	Option(s)	Remark
	VOE11851336	1							Engine		
	VOE15628985	1							Engine		
1		1							•Cylinder block		See ref 212/110
2		1							•Cylinder head		See ref 211/110
3		1							•Timing gear casing		See ref 215/110
4		1							•Camshaft		See ref 214/110
5		1							•Crankshaft		See ref 216/110
6		1							•Oil sump		See ref 217/110

7		1							•Oil cooler		See ref 220/110
8		4							•Injector		See ref 237/110
9		1							•Inlet, exhaust syst.		See ref 251/110
10		1							•Injection Pump		See ref 236/110
11		1							•Water Pump		See ref 262/110

Date: 2013/10/21	Image id: 1017869	Catalogue: 20164	Model: MC80B
Brand: Volvo	Serial: 71000-	Group/Section: 211/100	Title: Cylinder head



Volvo Construction
Equipment
1017869

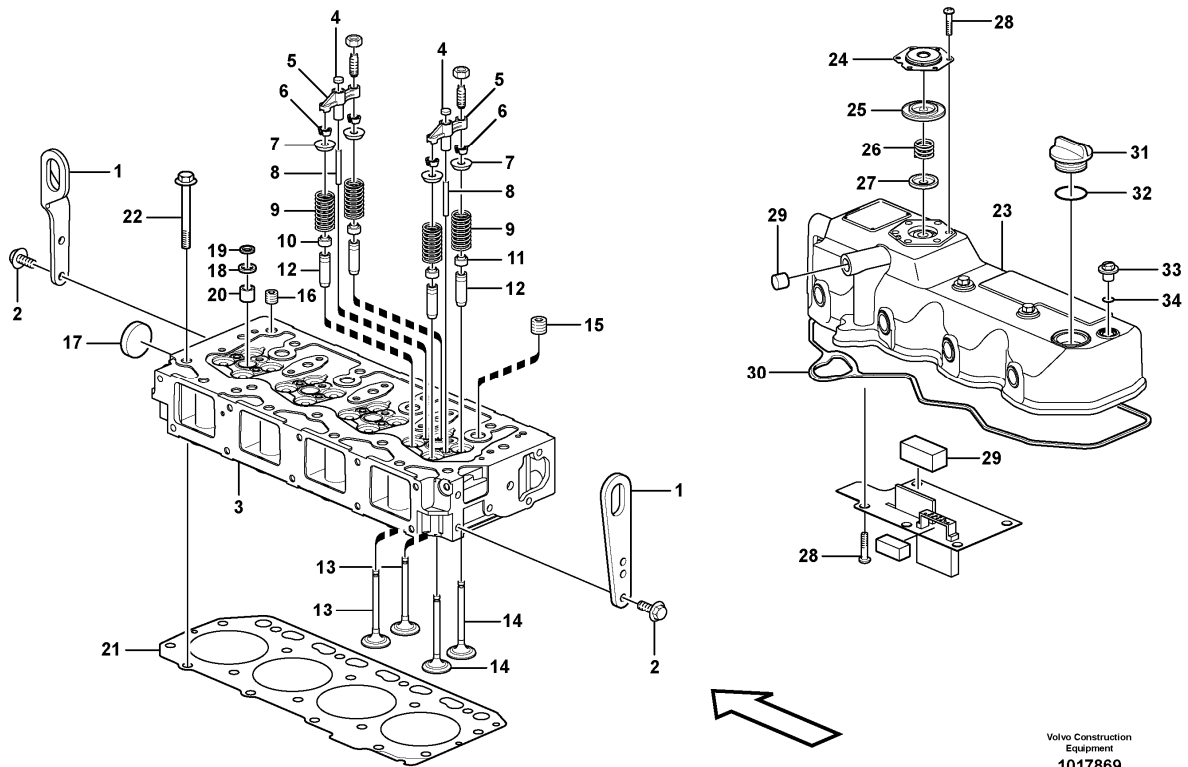
Section option	Kit	Option description
VOE11852930		Engine
VOE11858383		Engine TIER 3, US & EU MARKET

Q1-Q5	Option	Option description
Q1 11858383	VOE11858383	Engine TIER 3, US & EU MARKET

Pos	Part	Q1	Q2	Q3	Q4	Q5	PS	Kit	Description	Option(s)	Remark
1	VOE11714768	1							Lifting eye		FORW
1	VOE15102355	1							Lifting bracket		REAR
2	VOE11714372	4							Bolt		
3	VOE14521518	8							Seat		
4	VOE15065393	1							Cylinder head		
5	VOE14521529	8							•Valve guide		
6	VOE14521531	16							•Valve cone		
7	VOE14521526	16							•Retainer		

8	VOE14521521	8							•Guide		
9	VOE14521525	16							•Valve spring		
10	VOE15057732	8							•Valve seal		
11	VOE14521527	8							•Valve seal		
12	VOE14525388	16							•Valve guide		
13	VOE14521524	8							•Exhaust valve		
14	VOE14521523	8							•Inlet valve		
15	VOE14521504	4							•Plug		
16	VOE14521522	1							•Plug		
17	VOE11714379	1							•Plug		
18	VOE11714381	4							•Seat		
19	VOE11714386	4							•O-ring		
20	VOE14521532	4							•Protection		
21	VOE14528171	1					SS		Cylinder head gasket		
22	VOE11714759	18							Screw		
23	VOE15065401	1							Valve cover		
24	VOE14521550	1							•Plate		
25	VOE14521548	1							•Diaphragm		
26	VOE14521551	1							•Spring		
27	VOE14521549	1							•Plate		
28	VOE11714720	12							•Screw		
29	VOE14521553	1							•Plug		
30	VOE15057758	1							•Valve cover gasket		
31	VOE11714383	1							Cap		
32	VOE11714371	1							O-ring		
33	VOE11714385	4							Flange cap nut		
34	VOE11714386	4							O-ring		

Date: 2013/10/21	Image id: 1017869	Catalogue: 20164	Model: MC80B
Brand: Volvo	Serial: 71000-	Group/Section: 211/110	Title: Cylinder head



Volvo Construction
Equipment
1017869

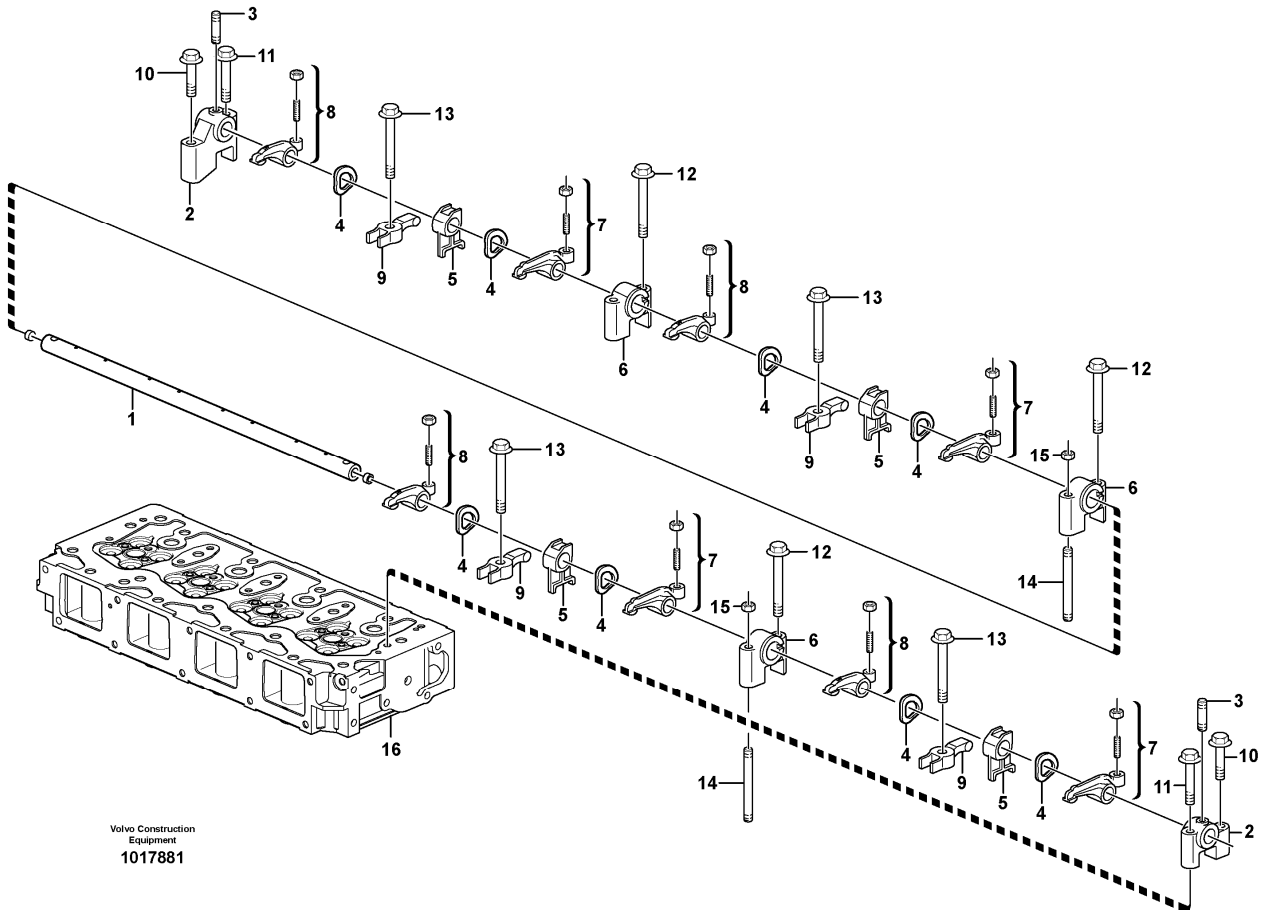
Section option	Kit	Option description
VOE11858379		Engine TIER 2A, INTERNATIONAL MARKET
VOE15635467		Engine TIER 2A, INTERNATIONAL MARKET

Q1-Q5	Option	Option description
Q1 11858379	VOE11858379	Engine TIER 2A, INTERNATIONAL MARKET

Pos	Part	Q1	Q2	Q3	Q4	Q5	PS	Kit	Description	Option(s)	Remark
1	VOE11714768	1							Lifting eye		FORW
1	VOE11714773	1							Lifting eye		REAR
2	VOE11714372	4							Bolt		
3	VOE14521519	1							Cylinder head		
4	VOE14521518	8							Seat		
5	VOE14521529	8							•Valve guide		
6	VOE14521531	16							•Valve cone		
7	VOE14521526	16							•Retainer		

8	VOE14521521	8							•Guide		
9	VOE14521525	16							•Valve spring		
10	VOE14521528	8							•Valve seal		
11	VOE14521527	8							•Valve seal		
12	VOE14525388	16							•Valve guide		
13	VOE14521524	8							•Exhaust valve		
14	VOE14521523	8							•Inlet valve		
15	VOE14521504	4							•Plug		
16	VOE14521522	1							•Plug		
17	VOE11714379	1							•Plug		
18	VOE11714381	4							•Seat		
19	VOE11714386	4							•O-ring		
20	VOE14521532	4							•Protection		
21	VOE14528171	1					SS		Cylinder head gasket		
22	VOE11714759	18							Screw		
23	VOE11714958	1					SS		Valve cover		
24	VOE14521550	1							•Plate		
25	VOE14521548	1							•Diaphragm		
26	VOE14521551	1							•Spring		
27	VOE14521549	1							•Plate		
28	VOE11714720	12							•Screw		
29	VOE14521553	1							•Plug		
30	VOE14521552	1							•Gasket		
31	VOE11714383	1							Cap		
32	VOE11714371	1							O-ring		
33	VOE11714385	4							Flange cap nut		
34	VOE11714386	4							O-ring		

Date: 2013/10/21	Image id: 1017881	Catalogue: 20164	Model: MC80B
Brand: Volvo	Serial: 71000-	Group/Section: 211/160	Title: Valve mechanism



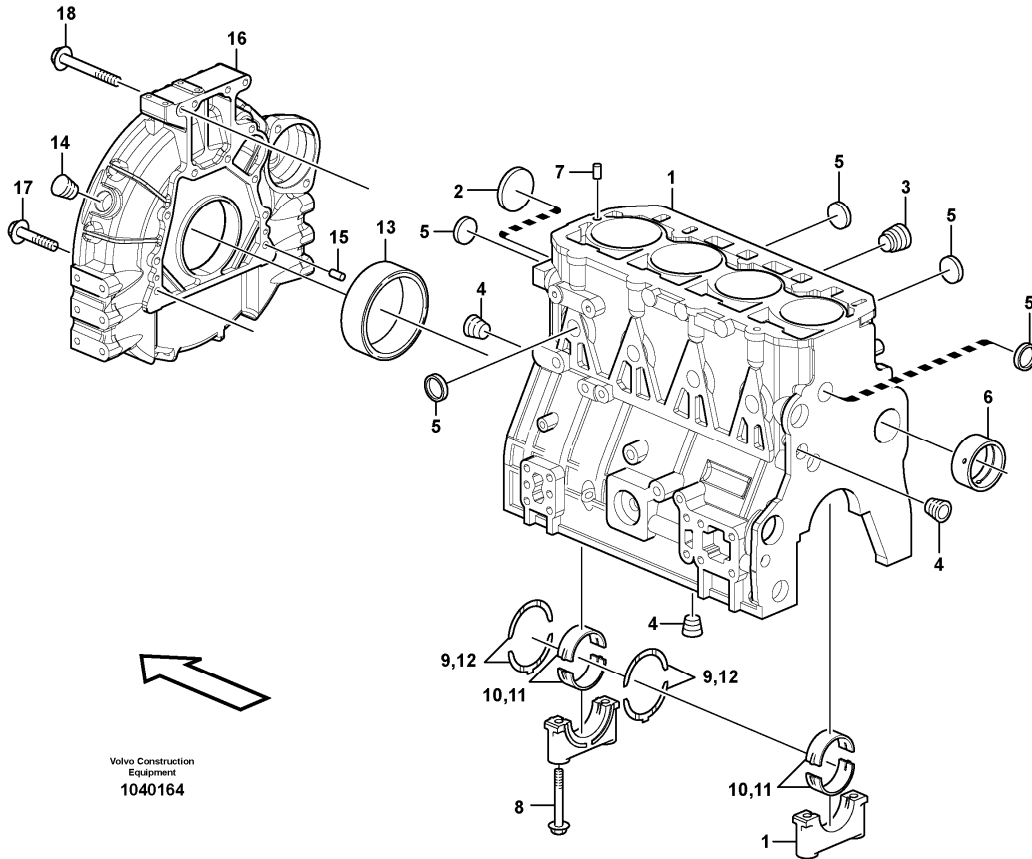
Section option	Kit	Option description
VOE11858379		Engine TIER 2A, INTERNATIONAL MARKET
VOE11858383		Engine TIER 3, US & EU MARKET
VOE15635467		Engine TIER 2A, INTERNATIONAL MARKET

Q1-Q5	Option	Option description	
Q1 11858383 11858379	VOE11858383	Engine TIER 3, US & EU MARKET	

Pos	Part	Q1	Q2	Q3	Q4	Q5	PS	Kit	Description	Option(s)	Remark
	VOE14525390	1							Valve		
1	VOE14521535	1							•Rocker arm		
2	VOE14521537	2							•Support		
3	VOE14521542	2							•Bolt		
4	VOE14521538	8							•Spring washer		
5	VOE14525391	4							•Retainer		

6	VOE14521536	3							•Support		
7	VOE14521539	4							•Rocker arm		
8	VOE14521540	4							•Rocker arm		
9	VOE14525392	4							Retainer		
10	VOE11714487	2							Bolt		
11	VOE11714494	2							Bolt		
12	VOE11714494	4							Bolt		
13	VOE14525393	4							Flange screw		
14	VOE14525389	2							Bolt		
15	VOE14521543	2							Nut		
16		1							Cylinder head		See ref 211/110

Date: 2013/10/21	Image id: 1040164	Catalogue: 20164	Model: MC80B
Brand: Volvo	Serial: 71000-	Group/Section: 212/100	Title: Cylinder block



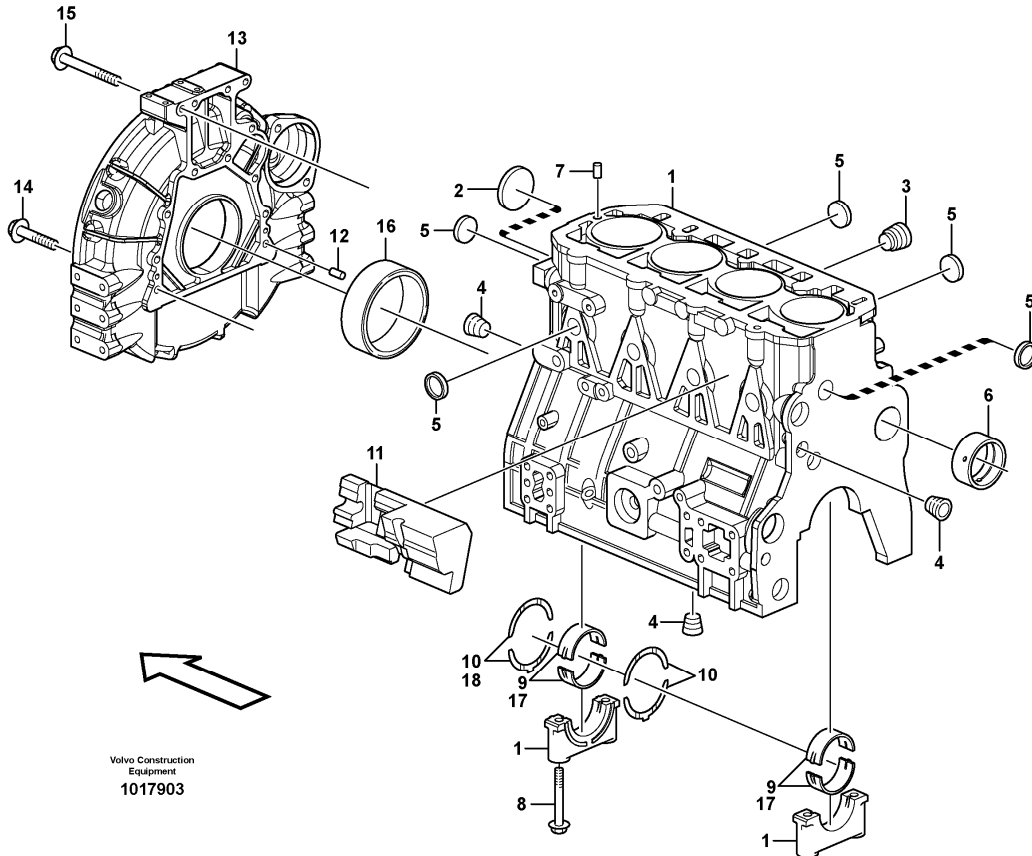
Section option	Kit	Option description
VOE11852930		Engine
VOE11858383		Engine TIER 3, US & EU MARKET

Q1-Q5	Option	Option description	
Q1 11858383	VOE11858383	Engine TIER 3, US & EU MARKET	

Pos	Part	Q1	Q2	Q3	Q4	Q5	PS	Kit	Description	Option(s)	Remark
1	VOE15065328	1							Cylinder block		
2	VOE14521503	1							•Plug		
3	VOE11713560	1							•Plug		
4	VOE14521504	3							•Plug		
5	VOE11714369	8							•Plug		
6	VOE11714757	1							•Bushing		
7	VOE11714387	2							•Spring pin		
8	VOE11714756	10							•Screw		

9	VOE15057699	5							•Thrust washer		STD SZ
10	VOE15057722	5							Main bearing kit		
11	VOE15057730	5							Main bearing kit		US = 0.25 MM
12	VOE15057718	2							Thrust washer		OS = 0.25 MM
13	VOE14514458	1							Seal		
14	VOE11713372	1							Cap		
15	VOE11714376	2							Pin		
16	VOE11714762	1							Flywheel housing		
17	VOE11714763	9							Screw		
18	VOE11714764	4							Screw		

Date: 2013/10/21	Image id: 1017903	Catalogue: 20164	Model: MC80B
Brand: Volvo	Serial: 71000-	Group/Section: 212/110	Title: Cylinder block



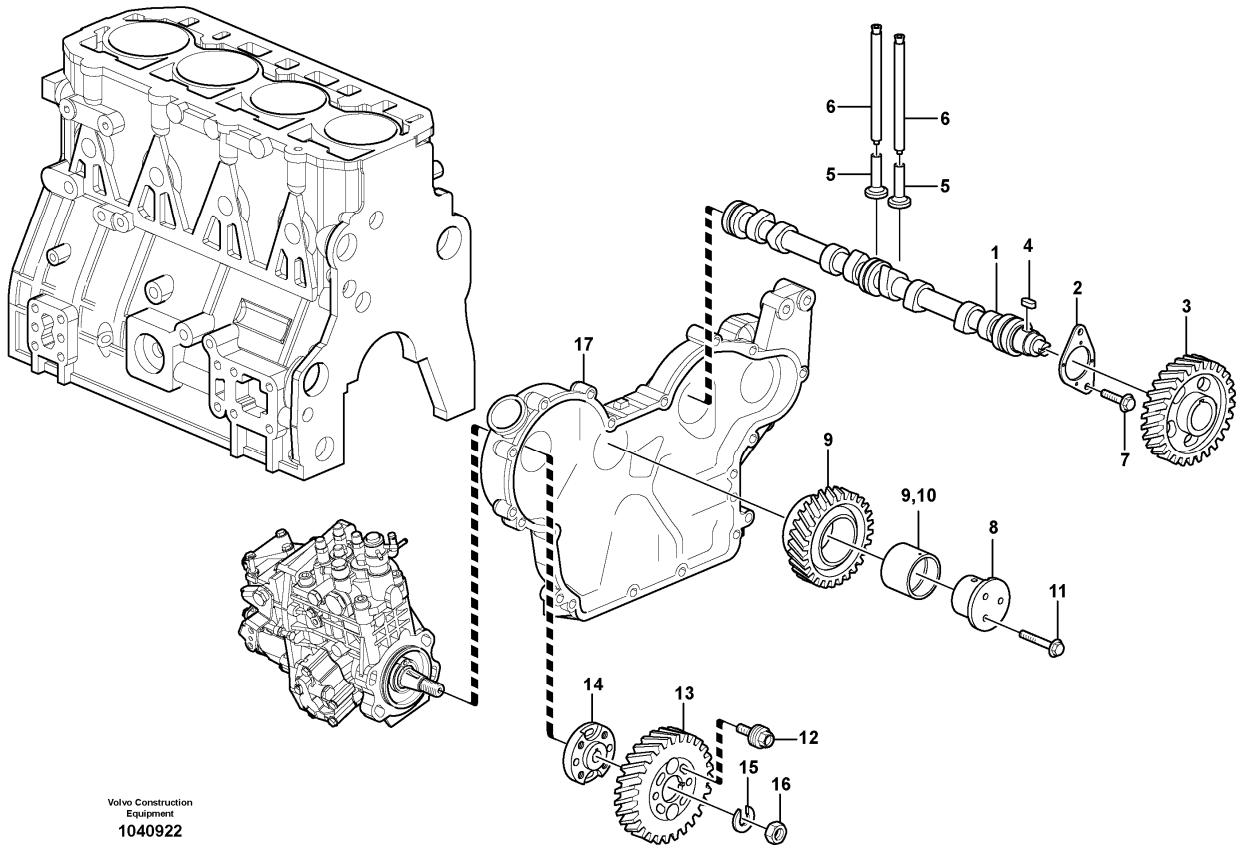
Section option	Kit	Option description
VOE11858379		Engine TIER 2A, INTERNATIONAL MARKET
VOE15635467		Engine TIER 2A, INTERNATIONAL MARKET

Q1-Q5	Option	Option description	
Q1 11858379	VOE11858379	Engine TIER 2A, INTERNATIONAL MARKET	

Pos	Part	Q1	Q2	Q3	Q4	Q5	PS	Kit	Description	Option(s)	Remark
1	VOE11714726	1							Cylinder block		
2	VOE14521503	1							•Plug		
3	VOE11713560	1							•Plug		
4	VOE14521504	3							•Plug		
5	VOE11714369	8							•Plug		
6	VOE11714757	1							•Bushing		
7	VOE11714387	2							•Spring pin		
8	VOE11714756	10							•Screw		

9	VOE15057722	5							•Main bearing kit		(VOE14524620)STD SZ
10	VOE15057699	2							•Thrust washer		(VOE11714758)STD SZ
11	VOE14521506	1							Spacer		
12	VOE11714376	2							Pin		
13	VOE11714762	1							Flywheel housing		
14	VOE11714763	9							Screw		
15	VOE11714764	4							Screw		
16	VOE11714765	1							Crankshaft seal		
17	VOE11714760	5							Main bearing		0,25 MM O SZ
18	VOE11714761	2							Thrust washer		0,25 MM O SZ

Date: 2013/10/21	Image id: 1040922	Catalogue: 20164	Model: MC80B
Brand: Volvo	Serial: 71000-	Group/Section: 214/100	Title: Valve mechanism

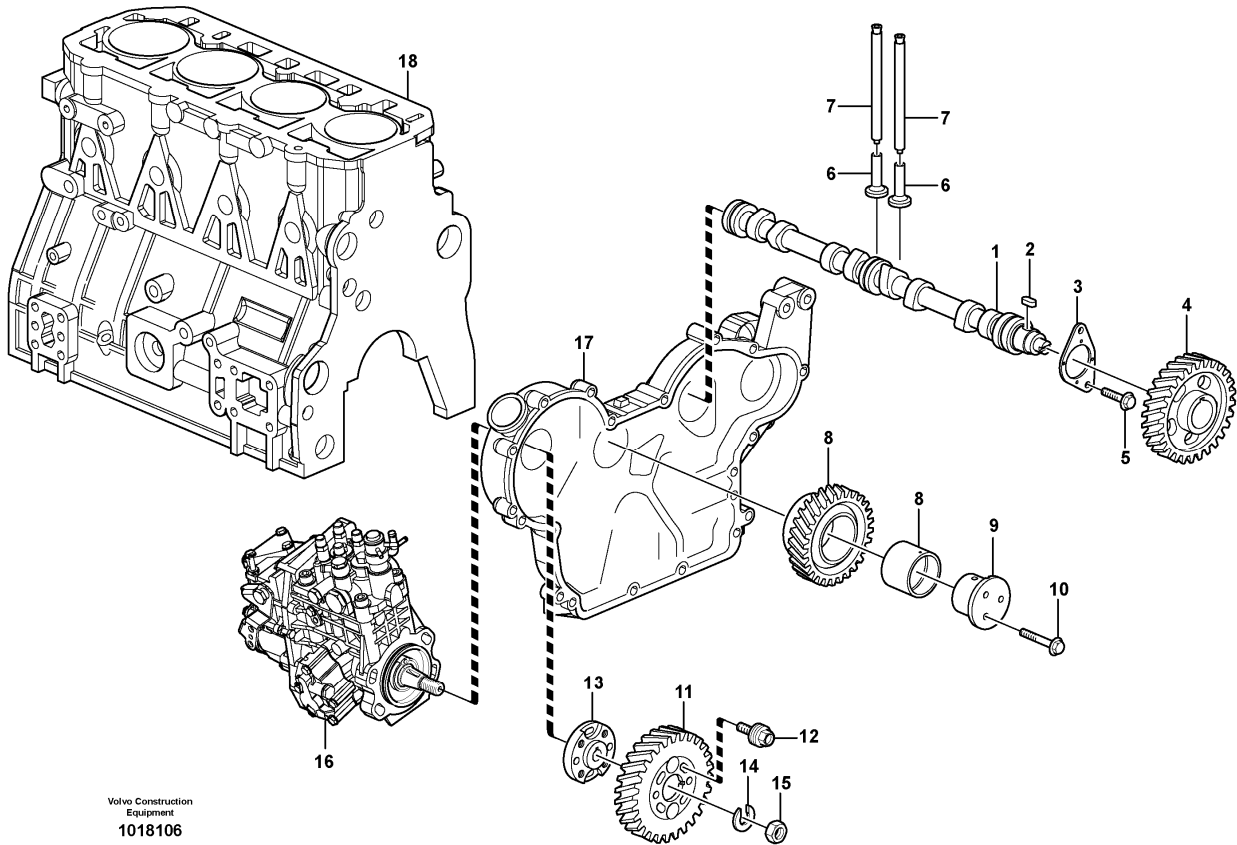


Section option	Kit	Option description
VOE11852930		Engine
VOE11858383		Engine TIER 3, US & EU MARKET

Q1-Q5	Option	Option description	
Q1 11858383	VOE11858383	Engine TIER 3, US & EU MARKET	

Pos	Part	Q1	Q2	Q3	Q4	Q5	PS	Kit	Description	Option(s)	Remark
1	VOE11714784	1							Camshaft		
2		1					NS		•Thrust Washer		
3		1					NS		•Camshaft Gear		
4		1					NS		•Key		
5	VOE11714485	8							Tappet		
6	VOE14521559	8							Push rod		
7	VOE11714372	2							Bolt		
8	VOE14521561	1							Shaft		

Date: 2013/10/21	Image id: 1018106	Catalogue: 20164	Model: MC80B
Brand: Volvo	Serial: 71000-	Group/Section: 214/110	Title: Valve mechanism



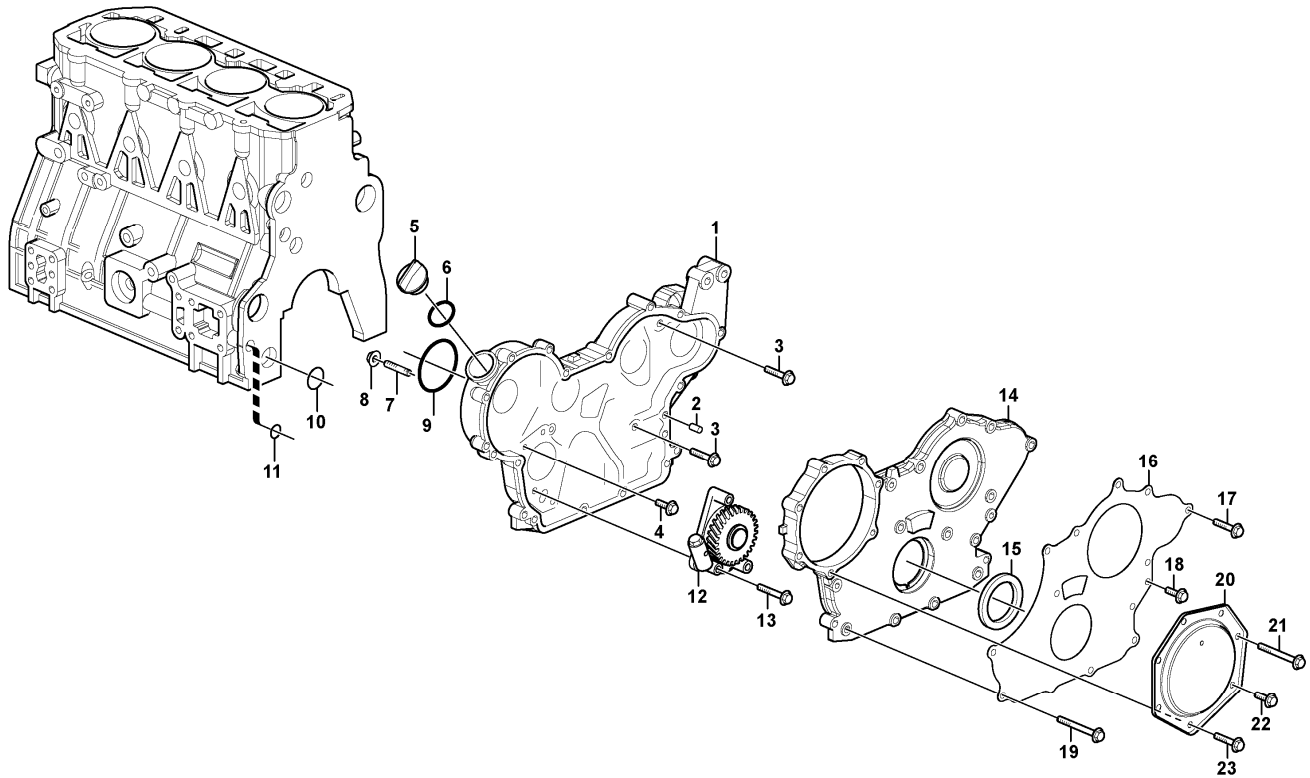
Section option	Kit	Option description
VOE11858379		Engine TIER 2A, INTERNATIONAL MARKET
VOE15635467		Engine TIER 2A, INTERNATIONAL MARKET

Q1-Q5	Option	Option description	
Q1 11858379	VOE11858379	Engine TIER 2A, INTERNATIONAL MARKET	

Pos	Part	Q1	Q2	Q3	Q4	Q5	PS	Kit	Description	Option(s)	Remark
1	VOE14521560	1							Camshaft		
2		1					NS		•Key		
3		1					NS		•Thrust Washer		
4		1					NS		•Camshaft Gear		
5	VOE11714372	2							Bolt		
6	VOE11714485	8							Tappet		
7	VOE14521559	8							Push rod		
8	VOE11714785	1							Gear		

9	VOE14521561	1							Shaft		
10	VOE11714373	3							Bolt		
11	VOE11714787	1							Gear		
12	VOE14521562	4							Bolt		
13	VOE14525395	1							Flange		
14	VOE11714788	1							Spring washer		
15	VOE11714789	1							Nut		
16									Injection Pump		See ref 236/110
17		1							Timing gear casing		See ref 215/110
18		1							Cylinder Block		See ref 212/110

Date: 2013/10/21	Image id: 1040287	Catalogue: 20164	Model: MC80B
Brand: Volvo	Serial: 71000-	Group/Section: 215/100	Title: Timing gear casing and gears



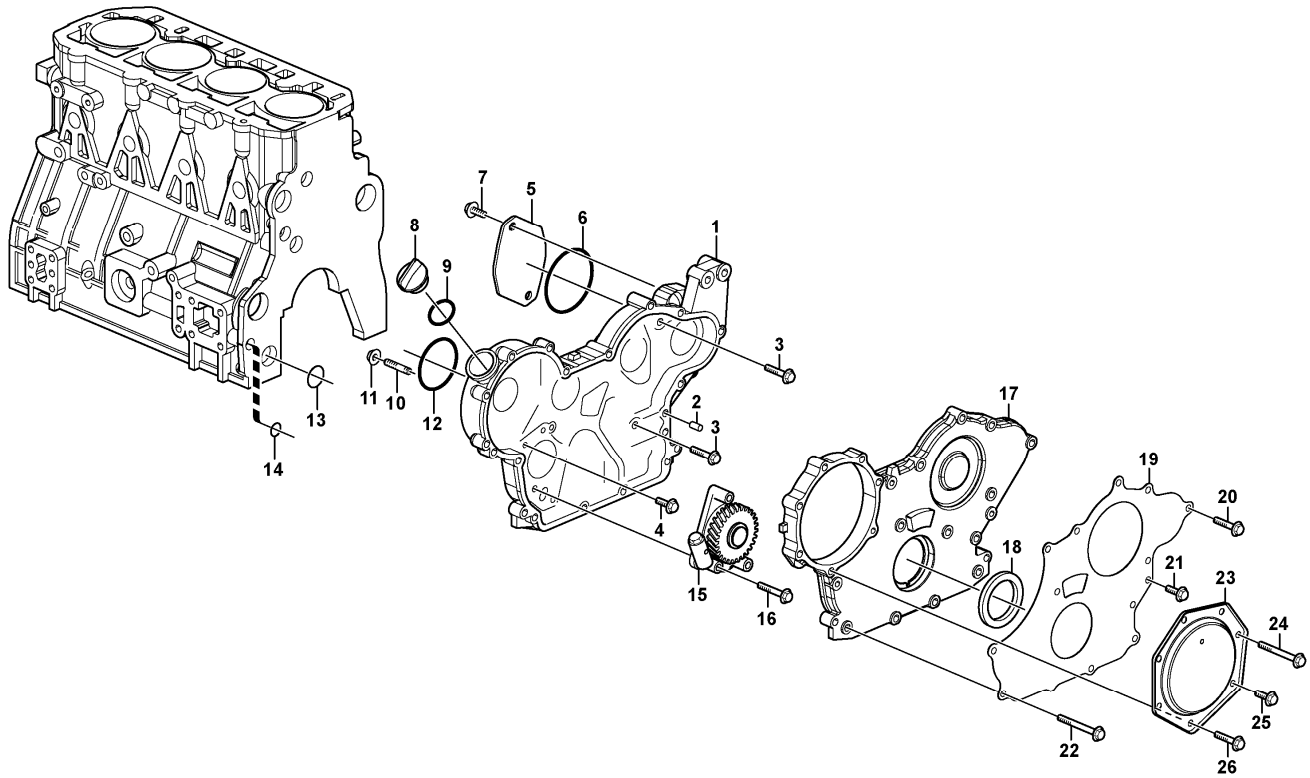
Volvo Construction
Equipment
1040287

Section option	Kit	Option description
VOE11852930		Engine
VOE11858383		Engine TIER 3, US & EU MARKET

Q1-Q5	Option	Option description
Q1 11858383	VOE11858383	Engine TIER 3, US & EU MARKET

Pos	Part	Q1	Q2	Q3	Q4	Q5	PS	Kit	Description	Option(s)	Remark
1	VOE15102353	1							Housing		
2	VOE11714376	4							Pin		
3	VOE11714388	3							Bolt		
4	VOE11714372	1							Bolt		
5	VOE11714383	1							Cap		
6	VOE11714371	1							O-ring		
7	VOE11714749	4							Stud		
8	VOE14521513	4							Nut		

Date: 2013/10/21	Image id: 1018111	Catalogue: 20164	Model: MC80B
Brand: Volvo	Serial: 71000-	Group/Section: 215/110	Title: Timing gear casing and gears



Volvo Construction
Equipment
1018111

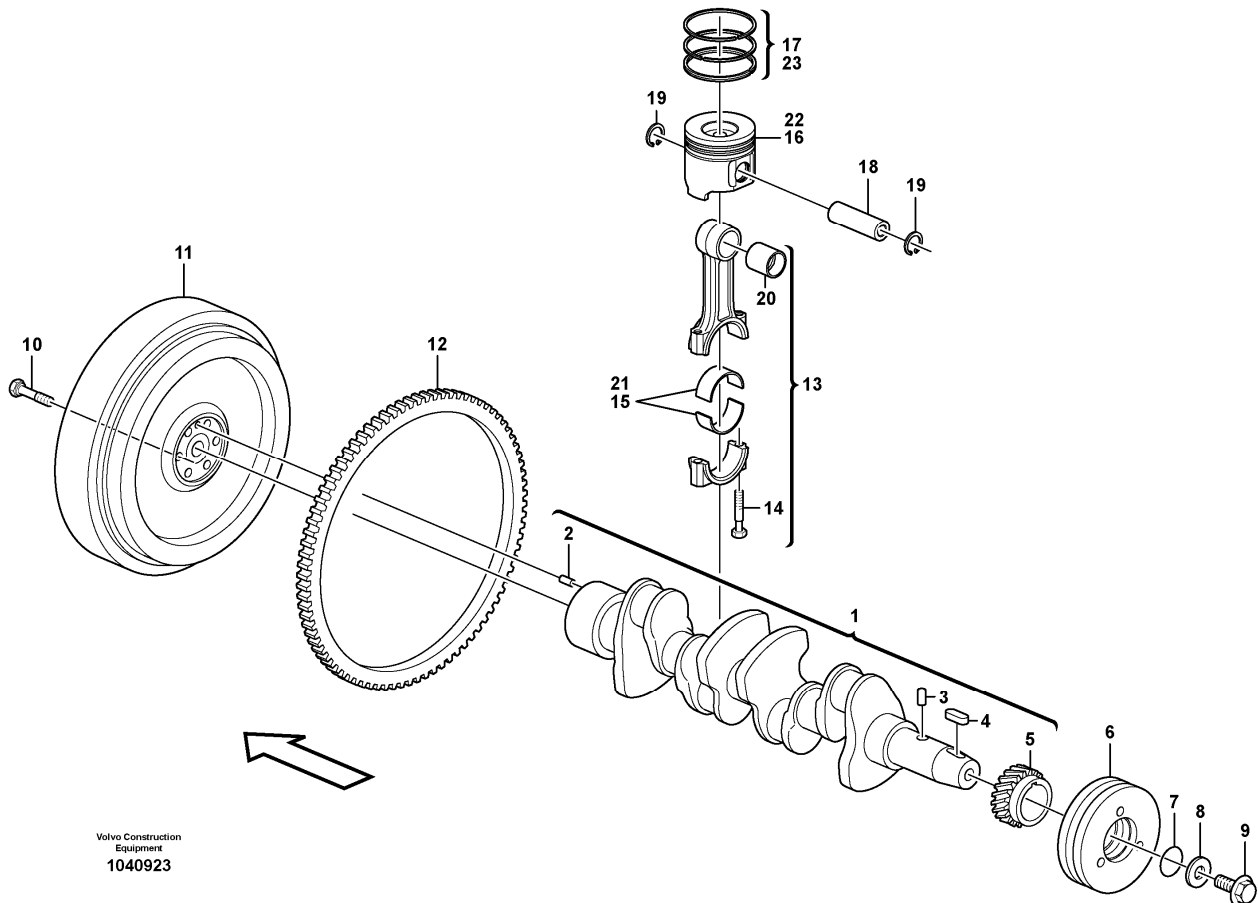
Section option	Kit	Option description
VOE11858379		Engine TIER 2A, INTERNATIONAL MARKET
VOE15635467		Engine TIER 2A, INTERNATIONAL MARKET

Q1-Q5	Option	Option description
Q1 11858379	VOE11858379	Engine TIER 2A, INTERNATIONAL MARKET

Pos	Part	Q1	Q2	Q3	Q4	Q5	PS	Kit	Description	Option(s)	Remark
1	VOE11714748	1							Casing		
2	VOE11714376	4							Pin		
3	VOE11714388	3							Bolt		
4	VOE11714372	1							Bolt		
5	VOE11714754	1							Cover		
6	VOE11714346	1							O-ring		
7	VOE11714755	2							Screw		
8	VOE11714383	1							Cap		

9	VOE11714371	1							O-ring		
10	VOE11714749	4							Stud		
11	VOE14521513	4							Nut		
12	VOE14521512	1							Wrapping		
13	VOE11714738	1							O-ring		
14	VOE11714739	1							O-ring		
15	VOE14525387	1							Pump		
16	VOE11714377	3							Bolt		
17	VOE11714751	1							Timing gear casing		
18	VOE11714745	1							•Sealing		
19	VOE14521515	1							Cover		
20	VOE11714487	5							Bolt		
21	VOE11714372	3							Bolt		
22	VOE14521510	6							Bolt		
23	VOE11714746	1							Cover		
24	VOE14521510	1							Bolt		
25	VOE11714372	1							Bolt		
26	VOE11714487	5							Bolt		

Date: 2013/10/21	Image id: 1040923	Catalogue: 20164	Model: MC80B
Brand: Volvo	Serial: 71000-	Group/Section: 216/100	Title: Crankshaft and related parts



Volvo Construction
Equipment
1040923

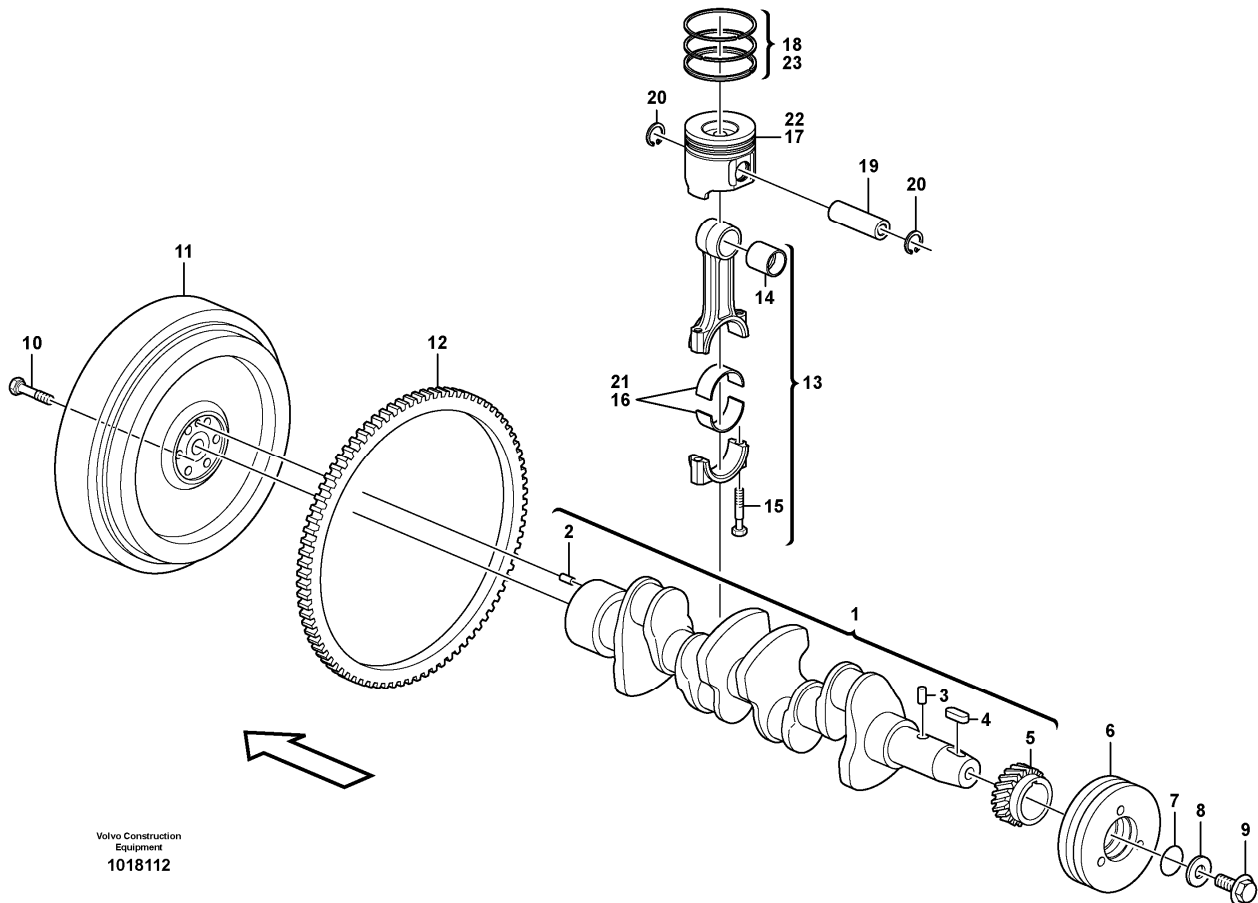
Section option	Kit	Option description
VOE11852930		Engine
VOE11858383		Engine TIER 3, US & EU MARKET

Q1-Q5	Option	Option description
Q1 11858383	VOE11858383	Engine TIER 3, US & EU MARKET

Pos	Part	Q1	Q2	Q3	Q4	Q5	PS	Kit	Description	Option(s)	Remark
1	VOE14521564	1							Crankshaft		
2	VOE11714792	1							•Guide pin		
3	VOE11714791	1							•Guide pin		
4	VOE11714468	1							•Key		
5	VOE11714790	1							•Crankshaft gear		
6	VOE14517628	1							Pulley		
7	VOE14509382	1							O-ring		
8	VOE14509381	1							Washer		

9	VOE14517969	1							Bolt		
10	VOE11714793	6							Screw		
11	VOE11714794	1							Flywheel		
12	VOE11714795	1							•Gear ring		
13	VOE11714799	4							Connecting rod		
14	VOE11714801	8							•Screw		
15	VOE15057777	4							•Big-end bearing kit		
16	VOE15065402	4							Piston		
17	VOE15065408	4							•Piston ring kit		
18	VOE11714797	4							Gudgeon pin		
19	VOE11714798	8							Lock ring		
20	VOE11714800	4							Bushing		
21	VOE15057790	4							Big-end bearing kit		US = 0,25 MM
22	VOE15065410	4							Piston		OS = 0,25 MM
23	VOE15065414	4							Piston ring kit		OS = 0,25 MM

Date: 2013/10/21	Image id: 1018112	Catalogue: 20164	Model: MC80B
Brand: Volvo	Serial: 71000-	Group/Section: 216/110	Title: Crankshaft and related parts



Volvo Construction
Equipment
1018112

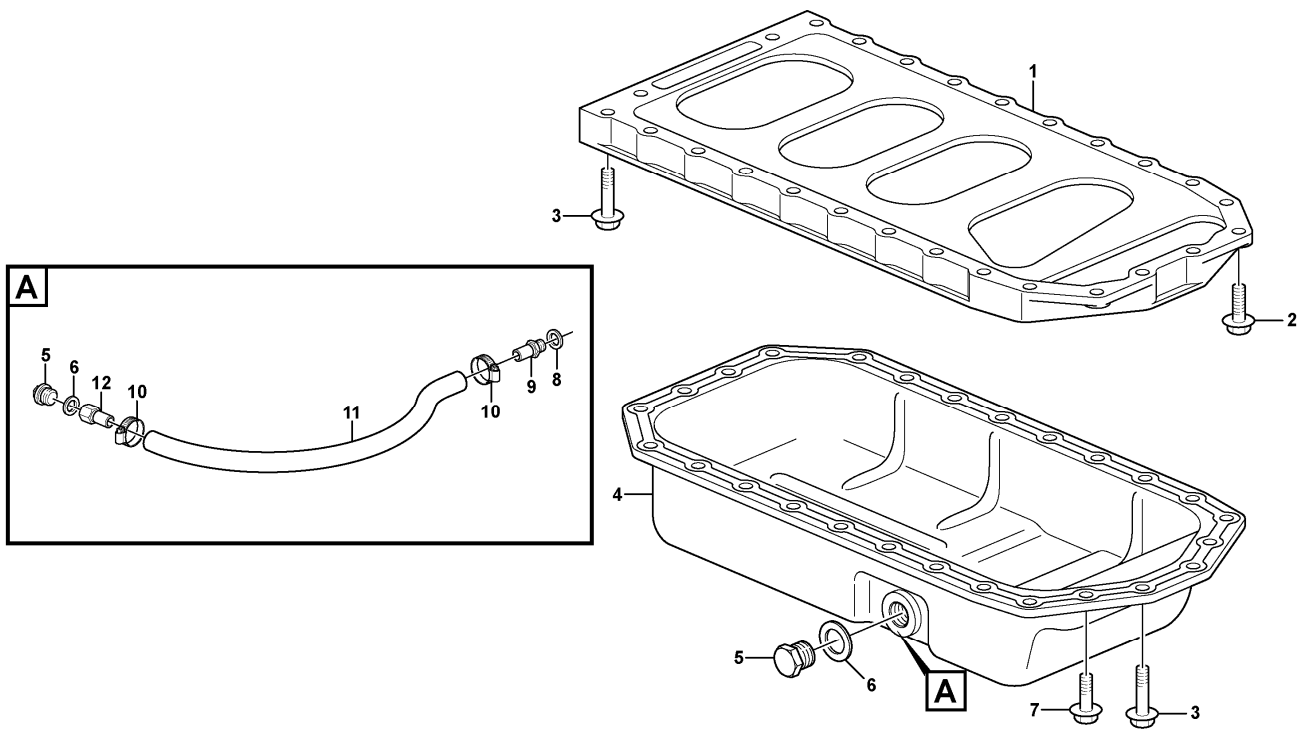
Section option	Kit	Option description
VOE11858379		Engine TIER 2A, INTERNATIONAL MARKET
VOE15635467		Engine TIER 2A, INTERNATIONAL MARKET

Q1-Q5	Option	Option description
Q1 11858379	VOE11858379	Engine TIER 2A, INTERNATIONAL MARKET

Pos	Part	Q1	Q2	Q3	Q4	Q5	PS	Kit	Description	Option(s)	Remark
1	VOE14521564	1							Crankshaft		
2	VOE11714792	1							•Guide pin		
3	VOE11714791	1							•Guide pin		
4	VOE11714468	1							•Key		
5	VOE11714790	1							•Crankshaft gear		
6	VOE11714805	1							Pulley		
7	VOE14509382	1							O-ring		
8	VOE14509381	1							Washer		

9	VOE11713690	1							Bolt		
10	VOE11714793	6							Screw		
11	VOE11714794	1							Flywheel		
12	VOE11714795	1							•Gear ring		
13	VOE11714799	4							Connecting rod		
14	VOE11714800	4							•Bushing		
15	VOE11714801	8							•Screw		
16	VOE11714802	4							•Piston Bearing		STD SZ
17	VOE11714806	4							•Piston		STD SZ
18	VOE11714796	4							•Piston ring kit		STD SZ
19	VOE11714797	4							Gudgeon pin		
20	VOE11714798	8							Lock ring		
21	VOE11714803	4							Piston Bearing		0,25 mm O SZ
22	VOE11714807	4							Piston		0,25 MM O SZ
23	VOE11714804	4							Piston		0,25 MM O SZ

Date: 2013/10/21	Image id: 1015846	Catalogue: 20164	Model: MC80B
Brand: Volvo	Serial: 71000-	Group/Section: 217/100	Title: Oil sump



Volvo Construction
Equipment
1015846

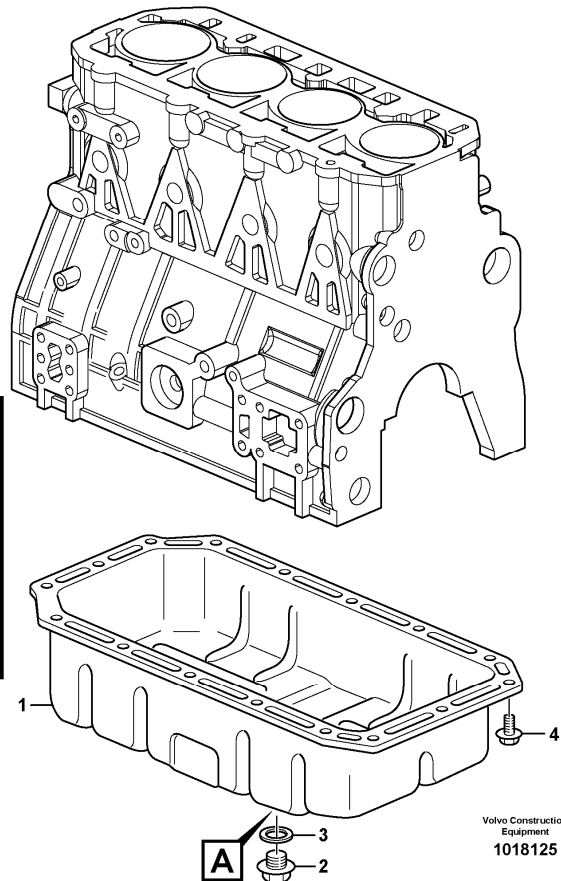
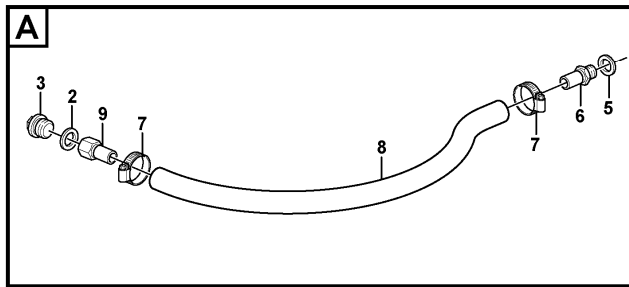
Section option	Kit	Option description
VOE11840379		Oil drain cplt. kit
VOE11852930		Engine
VOE11858383		Engine TIER 3, US & EU MARKET

Q1-Q5	Option	Option description	
Q1 11858383	VOE11858383	Engine TIER 3, US & EU MARKET	
Q2 11840379	VOE11840379	Oil drain cplt. kit	

Pos	Part	Q1	Q2	Q3	Q4	Q5	PS	Kit	Description	Option(s)	Remark
1	VOE11714766	1							Oil pan		
2	VOE11713638	1	1						•Drain plug		
3	VOE11713639	1	1						•Sealing		
4	VOE11714490	16							Bolt		
5	VOE948885		1						Plane gasket		
6	VOE948931		1						Nipple		

7	VOE943475		2					Hose clamp		
8	VOE13961193		REQ					Hydraulic hose		L = 500 MM
9	VOE11852124		1					Nipple		

Date: 2013/10/21	Image id: 1018125	Catalogue: 20164	Model: MC80B
Brand: Volvo	Serial: 71000-	Group/Section: 217/110	Title: Oil sump



Volvo Construction
Equipment
1018125

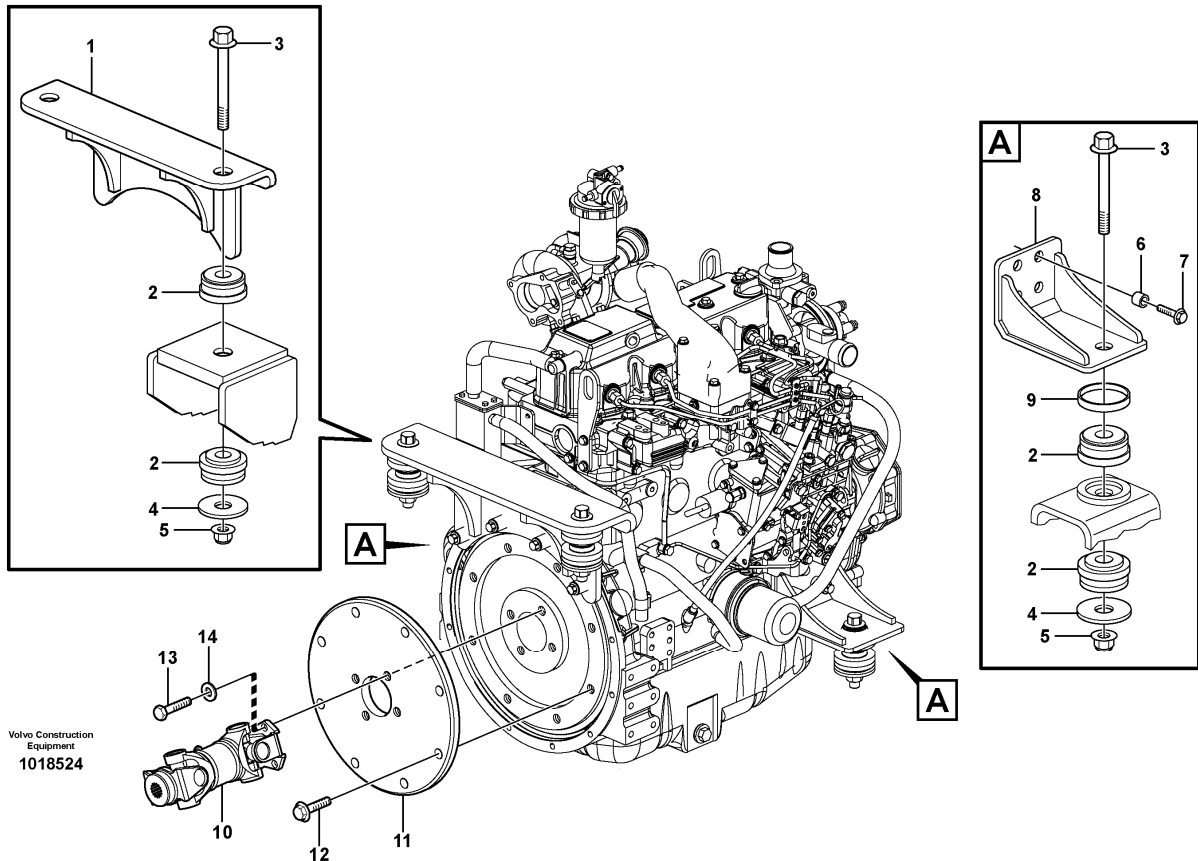
Section option	Kit	Option description
VOE11840379		Oil drain cplt. kit
VOE11858379		Engine TIER 2A, INTERNATIONAL MARKET
VOE15635467		Engine TIER 2A, INTERNATIONAL MARKET

Q1-Q5	Option	Option description	
Q1 11858379	VOE11858379	Engine TIER 2A, INTERNATIONAL MARKET	
Q2 11840379	VOE11840379	Oil drain cplt. kit	

Pos	Part	Q1	Q2	Q3	Q4	Q5	PS	Kit	Description	Option(s)	Remark
1	VOE11714766	1							Oil pan		
2	VOE11713638	1	1						•Drain plug		
3	VOE11713639	1	1						•Sealing		
4	VOE11714490	16							Bolt		
5	VOE948885		1						Plane gasket		
6	VOE948931		1						Nipple		

7	VOE943475		2						Hose clamp		
8	VOE13961193		REQ						Hydraulic hose		L = 500 MM
9	VOE11852124		1						Nipple		

Date: 2013/10/21	Image id: 1018524	Catalogue: 20164	Model: MC80B
Brand: Volvo	Serial: 71000-	Group/Section: 218/100	Title: Engine mounting



Section option	Kit	Option description
VOE11858002		Skidsteer loader MC80B

Pos	Part	Q1	Q2	Q3	Q4	Q5	PS	Kit	Description	Option(s)	Remark
1	VOE15634049	1							Bracket		
2	VOE11852528	8							Mount		
3	VOE968592	4							Flange screw		
4	VOE11850356	4							Washer		
5	VOE13967934	4							Flange lock nut		
6	VOE843028	12							Spacer sleeve		
7	VOE968163	12							Flange screw		
8	VOE15411258	2					NS		Bracket		
9	VOE11840942	1							Ball joint		
10	VOE11853078	1					NS		Plate		
11	VOE946472	8							Flange screw		
12	VOE946441	4							Flange screw		

Thank you so much for reading.
Please click the “Buy Now!”
button below to download the
complete manual.



After you pay.

You can download the most
perfect and complete manual in
the world immediately.

Our support email:

ebooklibonline@outlook.com