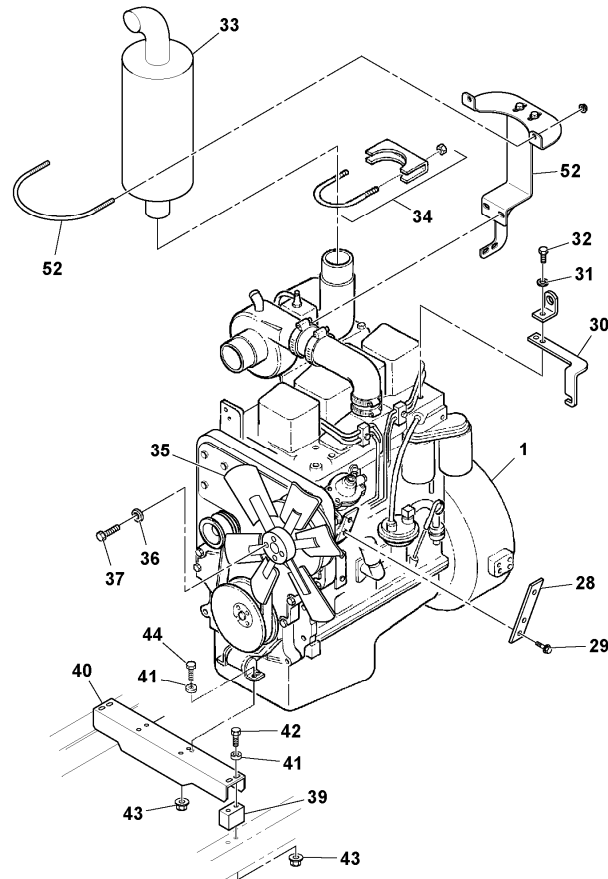


Date: 2014/1/14	Image id: 1052641	Catalogue: 20177	Model: SD100C
Brand: Volvo	Serial: 198060-	Group/Section: 210/50	Title: Engine Installation SD-100 S/N 172493- , 13289665



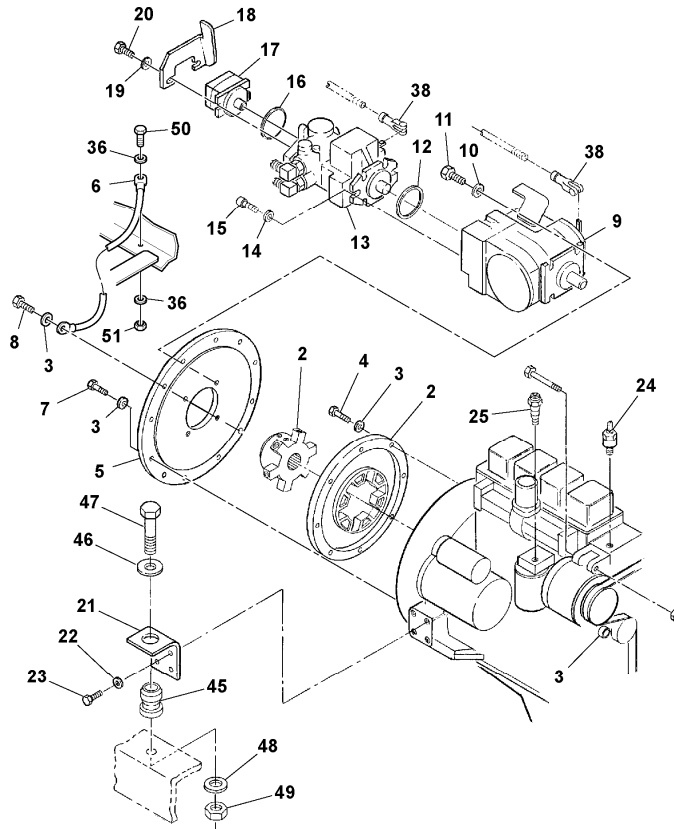
Q1-Q5	Option	Option description	
Q1 13289665_0D01			

Pos	Part	Q1	Q2	Q3	Q4	Q5	PS	Kit	Description	Option(s)	Remark
1	RM43923291	1					OP		Engine		S/N 173786-
	RM43922913	1							•Oil filter		FILTER ELEMENT
	RM43924422	1							•Fuel filter		PRIMARY
	RM59728196	1							•Fuel filter insert		See footnote 2571)
	RM43911668	1							•Fuel filter		INLINE
	RM13852256	1							•Alternator		
	RM43830728	1							•Starter motor		
	RM43830736	1					SS		••Starter motor		
	RM13290093	1					OP		Engine		S/N - 173785, 4BT 3.9
	RM59728170	1							•Oil filter		FILTER ELEMENT
	RM35374677	1							•Fuel filter		PRIMARY

	RM59728196	1							•Fuel filter insert		See footnote 2571)
	RM58827932	1							•Fuel filter		PRE-FUEL FILTER
	RM59106435	1					SS		•Alternator		65A
	RM59816520	1							•Starter motor		
	RM58875196	1							••Solenoid		
28	RM13163712	1							Lever segment		
29	RM96704531	2							Lock screw		
30	RM13222880	1							Bracket		
31	RM96738596	2							Washer		
32	RM96702444	2							Hexagon screw		
33	RM13241658	1							Silencer		S/N - 225543
33	VOE12761041	1							Silencer		S/N 225544 -
34	RM50266972	1							Clamp		
35	RM59819292	1							Fan		
	RM59309104	1							•Fan belt		
36	RM96741038	6							Washer		
37	RM96715131	4							Hexagon screw		
39	RM59176917	2							Spacer		
40	RM59176925	1							Bracket		
41	RM96711833	8							Washer		
42	RM96704739	4							Hexagon screw		
43	RM96704846	8							Lock nut		
44	RM96704358	4							Hexagon screw		
52		1							Muffler Bracket		See ref 252/100

2571) Water Separator/Fuel Filter

Date: 2014/1/14	Image id: 1052642	Catalogue: 20177	Model: SD100C
Brand: Volvo	Serial: 198060-	Group/Section: 210/100	Title: Engine Installation SD-100 S/N 172493- , 13289665



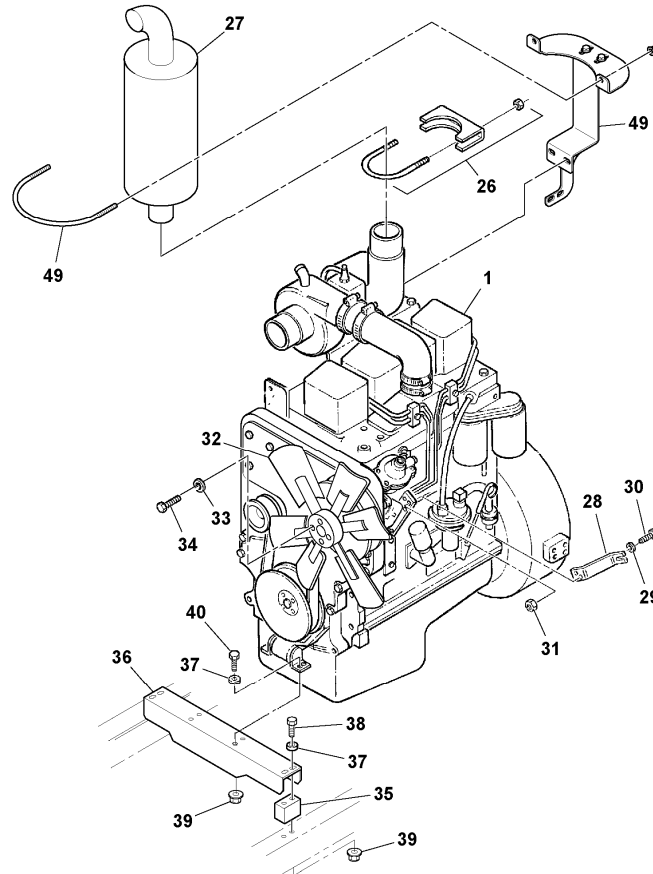
Q1-Q5	Option	Option description	
Q1 13289665_0D02			

Pos	Part	Q1	Q2	Q3	Q4	Q5	PS	Kit	Description	Option(s)	Remark
2	RM59286344	1							Drive sleeve		
3	RM96741046	21							Plain washer		
4	RM95919254	8							Hexagon screw		
5	RM58966086	1							Plate		
6	RM59104406	1							Ground cable		
7	RM96704309	8							Hexagon screw		
8	RM96704309	4							Hexagon screw		
9		1							Propulsion Pump		See ref 442/100
10	RM96738596	4							Washer		
11	RM96702329	4							Hexagon screw		
12	RM95988804	1							O-ring		

13		1						Vibration Pump Assembly		See ref 913/100
14	RM59539569	2					SS	Washer		
15	RM95309829	2						Screw		
16	RM95988796	1						O-ring		
17		1						Steering Pump Assembly		See ref 913/200
18	RM59232579	1					OP	Bracket		
19	RM59731380	2						Washer		
20	RM95055265	2						Hex. socket screw		
21	RM59103838	2						Engine anchorage		
22	RM96738596	8						Washer		
23	RM96702667	8						Hexagon screw		
24	RM59636738	1						Sensor		WATER TEMPERATURE
		1						Water Temp Gauge		WATER TEMPERATURE See ref 386/100
25	RM59971457	1						Contact		See footnote 2737)
36	RM96741038	6						Washer		
38		1						Pump control		See ref 912/600
45	RM59127720	2						Mounting plate		
46	RM58879768	2						Washer		
47	RM96704952	2						Hexagon screw		
48	RM96738612	2						Plain washer		
49	RM96704630	2						Nut		
50	RM96705587	1						Hexagon screw		
51	RM96701370	1						Nut		

2737) Oil pressure

Date: 2014/1/14	Image id: 1052639	Catalogue: 20177	Model: SD100C
Brand: Volvo	Serial: 198060-	Group/Section: 210/150	Title: Engine Installation SD-100D/100F S/N 172493- , 13289657



Section option	Kit	Option description
RM13289657		Standard Engine

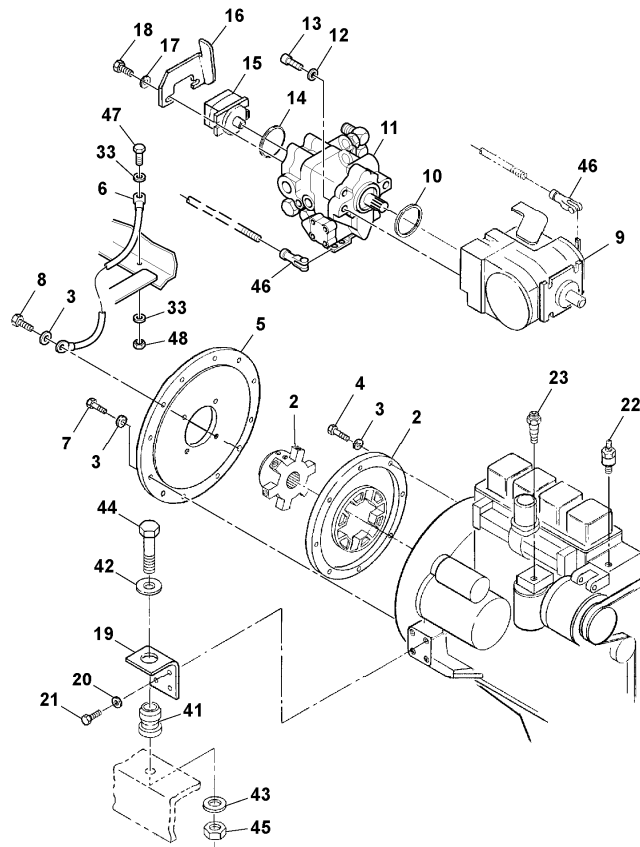
Q1-Q5	Option	Option description
Q1 13289657_OD01		

Pos	Part	Q1	Q2	Q3	Q4	Q5	PS	Kit	Description	Option(s)	Remark
1	RM43923283	1					OP		Engine		S/N 173786-
	RM43922913	1							•Oil filter		FILTER ELEMENT
	RM43924422	1							•Fuel filter		PRIMARY
	RM59728196	1							•Fuel filter insert		See footnote 2571)
	RM43911668	1							•Fuel filter		INLINE
	RM13852256	1							•Alternator		
	RM13360516	1							•Starter motor		

	RM13293675	1					OP		Engine		S/N - 173785, 4BTA 3.9
	RM59728170	1							•Oil filter		FILTER ELEMENT
	RM35374677	1							•Fuel filter		PRIMARY
	RM59728196	1							•Fuel filter insert		See footnote 2571)
	RM58827932	1							•Fuel filter		PRE-FUEL FILTER
	RM59106435	1					SS		•Alternator		65A
	RM59816520	1							•Starter motor		
	RM58875196	1							••Solenoid		
	RM58887506	1							•Belt		
26	RM50266972	1							Clamp		
27	RM13241658	1							Silencer		S/N - 225543
27	VOE12761041	1							Silencer		S/N 225544 -
28	RM13222864	1							Bracket		
29	RM96741053	2							Washer		S/N - 225734
29	RM96741053	4							Washer		S/N 225735 -
30	RM96704564	2							Hexagon screw		
31	RM96704234	2							Nut		
32	RM59819292	1							Fan		
	RM59309104	1							•Fan belt		
33	RM96741038	6							Washer		
34	RM96715131	4							Hexagon screw		
35	RM59176917	2							Spacer		
36	RM59176925	1							Bracket		
37	RM96711833	8							Washer		
38	RM96704739	4							Hexagon screw		
39	RM96704846	8							Lock nut		
40	RM96704556	4							Hexagon screw		
49		1							Muffler Bracket		See ref 252/100

2571) Water Separator/Fuel Filter

Date: 2014/1/14	Image id: 1052640	Catalogue: 20177	Model: SD100C
Brand: Volvo	Serial: 198060-	Group/Section: 210/200	Title: Engine Installation SD-100D/100F S/N 172493- , 13289657



Section option	Kit	Option description
RM13289657		Standard Engine

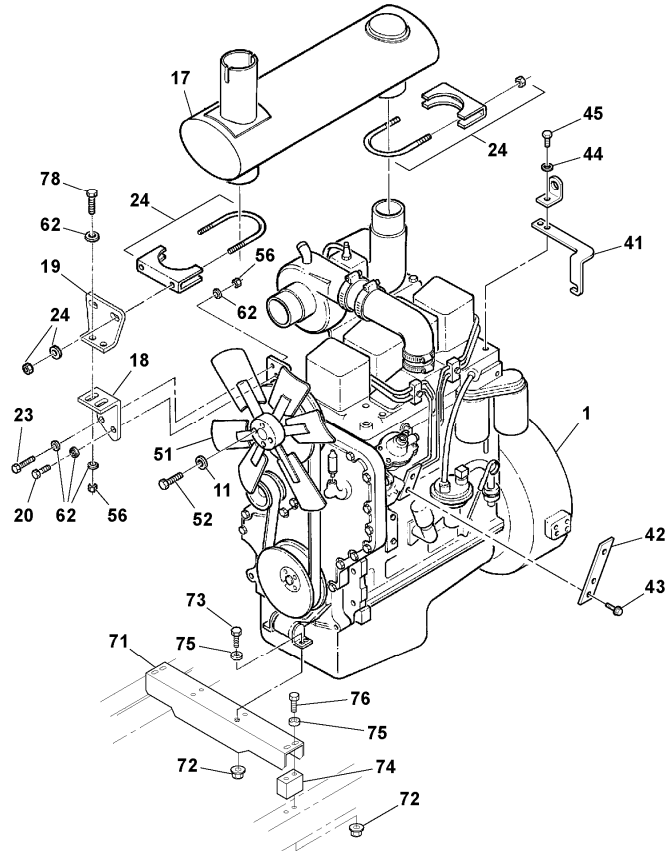
Q1-Q5	Option	Option description
Q1 13289657_0D02		

Pos	Part	Q1	Q2	Q3	Q4	Q5	PS	Kit	Description	Option(s)	Remark
2	RM59286336	1							Flywheel		
3	RM96741046	20							Plain washer		
4	RM95919254	8							Hexagon screw		
5	RM58966086	1							Plate		
6	RM59104406	1							Ground cable		
7	RM96704309	8							Hexagon screw		
8	RM96704309	4							Hexagon screw		

9		1							Propulsion Pump		See ref 442/200
10	RM95097879	1							O-ring		
11		1							Vibration Pump		See ref 913/100
12	RM59539569	2					SS		Washer		
13	RM95309829	2							Screw		
14	RM95988796	1							O-ring		
15		1							Steering Pump		See ref 913/200
16	RM59232579	1					OP		Bracket		
17	RM59731380	2							Washer		
18	RM95055265	2							Hex. socket screw		
19	RM59103838	2							Engine anchorage		
20	RM96738596	8							Washer		
21	RM96702667	8							Hexagon screw		
22	RM59164251	1							Switch		WATER TEMPERATURE
23	RM59971457	1							Contact		See footnote 2737)
33	RM96741038	6							Washer		
41	RM59097162	2							Rubber damper		
42	RM58879768	2							Washer		
43	RM96738612	2							Plain washer		
44	RM96704952	2							Hexagon screw		
45	RM96704630	2							Nut		
46		1							Pump control		See ref 912/600
47	RM96705587	1							Hexagon screw		
48	RM96701370	1							Nut		

2737) Oil pressure

Date: 2014/1/14	Image id: 1037276	Catalogue: 20177	Model: SD100C
Brand: Volvo	Serial: 198060-	Group/Section: 210/250	Title: Engine Installation SD-100 S/N - 172492, 13222872



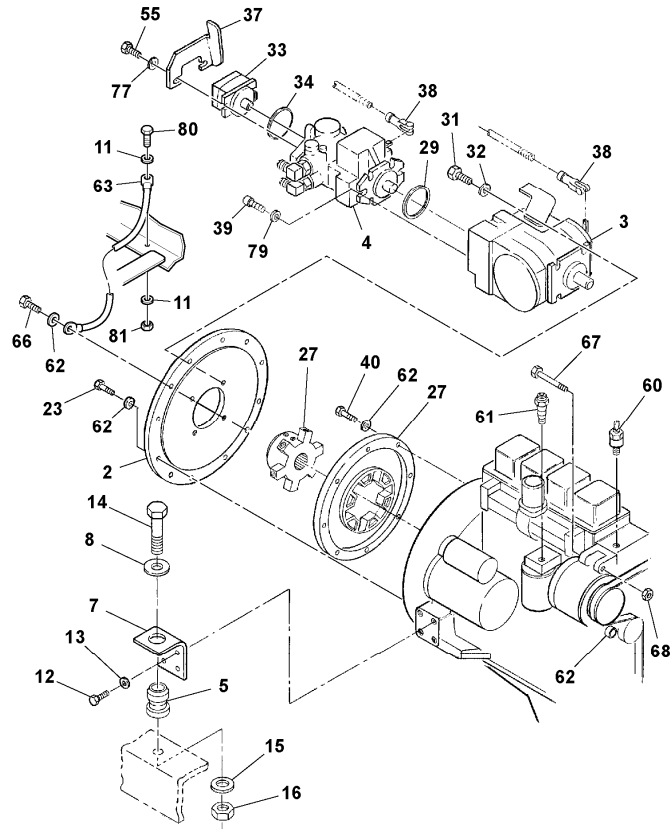
Q1-Q5	Option	Option description	
Q1 59288571_0301			

Pos	Part	Q1	Q2	Q3	Q4	Q5	PS	Kit	Description	Option(s)	Remark
1	RM54672829	1					OP		Engine		4BT3.9-C95 ELITE
	RM59728170	1							•Oil filter		FILTER ELEMENT
	RM35374677	1							•Fuel filter		PRIMARY
	RM59728196	1							•Fuel filter insert		See footnote 2571)
	RM58827932	1							•Fuel filter		PRE-FUEL FILTER
	RM59309104								•Fan belt		
	RM59106435	1					SS		•Alternator		65A
	RM59816520	1							•Starter motor		
	RM58875196	1							••Solenoid		
11	RM96741038	6							Washer		
17	RM59215780	1							Silencer		

18	RM58947334	1							Bracket		
19	RM58947342	1							Bracket		
20	RM96727011	1							Bolt		
23	RM96701917	9							Hexagon screw		
24	RM50266972	2							Clamp		
41	RM13222880	1							Bracket		
42	RM13163712	1							Lever segment		
43	RM96704531	2							Lock screw		
44	RM96738596	2							Washer		
45	RM96702444	2							Hexagon screw		
51	RM59819292	1							Fan		
52	RM96712583	4							Hexagon screw		
56	VOE971071	1							Hexagon nut		
62	RM96741046	24							Plain washer		
71	RM59176925	1							Bracket		
72	RM96704846	8							Lock nut		
73	RM96704358	4							Hexagon screw		
74	RM59176917	2							Spacer		
75	RM96711833	8							Washer		
76	RM96705314	4							Hexagon screw		
78	RM96701917	2							Hexagon screw		

2571) Water Separator/Fuel Filter

Date: 2014/1/14	Image id: 1037277	Catalogue: 20177	Model: SD100C
Brand: Volvo	Serial: 198060-	Group/Section: 210/300	Title: Engine Installation SD-100 S/N - 172492, 13222872



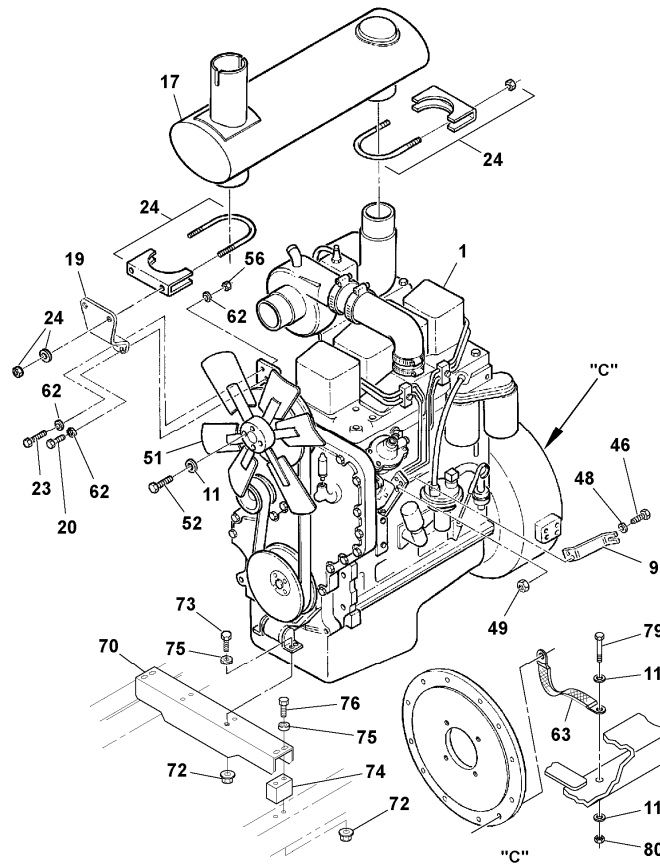
Q1-Q5	Option	Option description	
Q1 59288571_0302			

Pos	Part	Q1	Q2	Q3	Q4	Q5	PS	Kit	Description	Option(s)	Remark
2	RM58966086	1							Plate		
3		1							Propulsion Pump		See ref 442/300
4		1							Vibration Pump		See ref 913/100
5	RM59097162	2							Rubber damper		
7	RM59103838	2							Engine anchorage		
8	RM58879768	2							Washer		
11	RM96741038	6							Washer		
12	RM96702667	8							Hexagon screw		
13	RM96738596	8							Washer		
14	RM96704952	2							Hexagon screw		
15	RM96738612	2							Plain washer		

16	RM96704630	2							Nut		
23	RM96701917	9							Hexagon screw		
27	RM59286344	1							Drive sleeve		
29	RM95097879	1							O-ring		
31	RM96702329	4							Hexagon screw		
32	RM96738596	4							Washer		
33		1							Steering Pump		See ref 913/200
34	RM95988796	1							O-ring		
37	RM59232579	1					OP		Bracket		
38		1							Pump control		See ref 912/600
39	RM95309829	2							Screw		
40	RM95919254	8							Hexagon screw		
55	RM95055265	2							Hex. socket screw		
60	RM59164251	1							Switch		WATER TEMPERATURE
61	RM59971457	1							Contact		See footnote 2737)
62	RM96741046	24							Plain washer		
63	RM59104406	1							Ground cable		
66	RM96704309	4							Hexagon screw		
67	RM96715602	1							Hexagon screw		
68	RM96704846	1							Lock nut		
77	RM59731380	2							Washer		
79	RM59539569	2					SS		Washer		
80	RM96705587	1							Hexagon screw		
81	RM96701370	1							Nut		

2737) Oil pressure

Date: 2014/1/14	Image id: 1037270	Catalogue: 20177	Model: SD100C
Brand: Volvo	Serial: 198060-	Group/Section: 210/350	Title: Engine Installation SD-100D/100F S/N - 172492, 13222856, 13205927



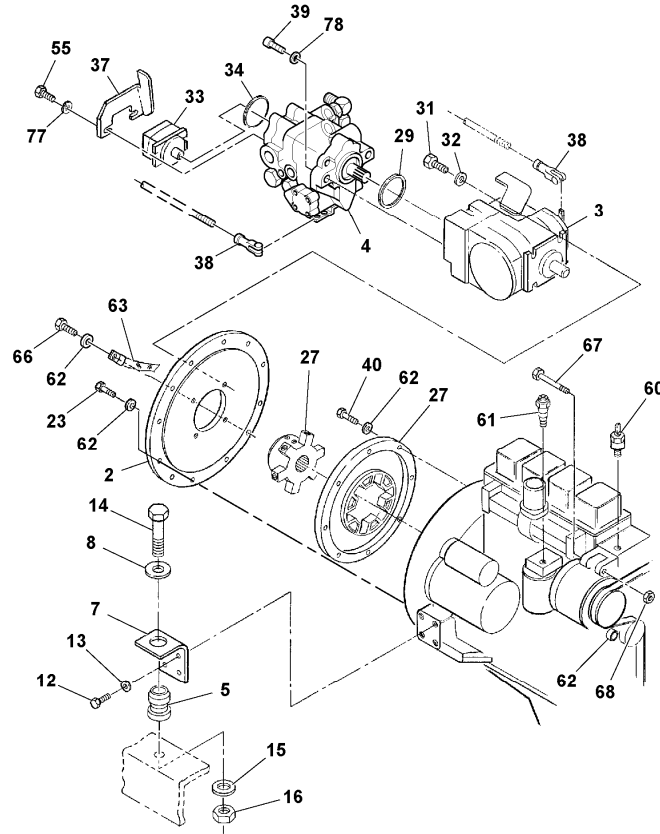
Q1-Q5	Option	Option description	
Q1 59279703_0301			

Pos	Part	Q1	Q2	Q3	Q4	Q5	PS	Kit	Description	Option(s)	Remark
1	RM13154679	1					OP		Engine		4BTA3.9C-125 ENCORE
	RM59728170	1							•Oil filter		FILTER ELEMENT
	RM35374677	1							•Fuel filter		PRIMARY
	RM59728196	1							•Fuel filter insert		See footnote 2571)
	RM58827932	1							•Fuel filter		PRE-FUEL FILTER
	RM59309104								•Fan belt		
	RM59106435	1					SS		•Alternator		65A
	RM59816520	1							•Starter motor		
	RM58875196	1							••Solenoid		
9	RM13222864	1							Bracket		S/N 169975-

	RM59856781	1							Bracket		S/N - 169974
11	RM96741038	6							Washer		
17	RM13205901	1							Silencer		
19	RM59108886	1							Support		
20	RM96702287	1							Hexagon screw		
23	RM96701917	9							Hexagon screw		
24	RM50266972	2							Clamp		
46	RM96704564	2							Hexagon screw		
48	RM96741053	2							Washer		
49	RM96704234	2							Nut		
51	RM59819292	1							Fan		
52	RM96712583	4							Hexagon screw		
56	VOE971071	1							Hexagon nut		
62	RM96741046	24							Plain washer		
63	RM59104406	1							Ground cable		
70	RM59176925	1							Bracket		
72	RM96704846	8							Lock nut		
73	RM96704358	4							Hexagon screw		
74	RM59176917	2							Spacer		
75	RM96711833	8							Washer		
76	RM96705314	4							Hexagon screw		
79	RM96705587	1							Hexagon screw		
80	RM96701370	1							Nut		

2571) Water Separator/Fuel Filter

Date: 2014/1/14	Image id: 1037271	Catalogue: 20177	Model: SD100C
Brand: Volvo	Serial: 198060-	Group/Section: 210/400	Title: Engine Installation SD-100D/100F S/N - 172492, 13222856, 13205927



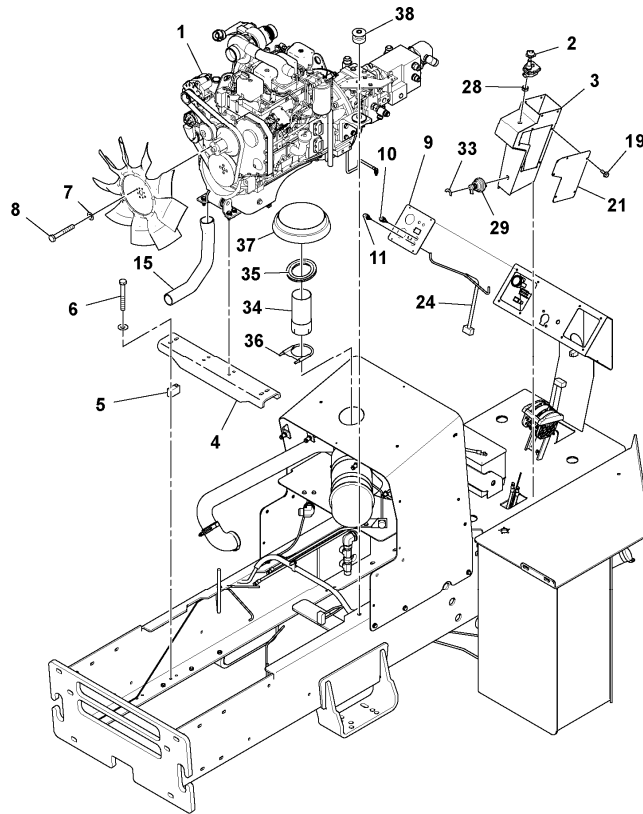
Q1-Q5	Option	Option description	
Q1 59279703_0302			

Pos	Part	Q1	Q2	Q3	Q4	Q5	PS	Kit	Description	Option(s)	Remark
2	RM58966086	1							Plate		
3		1							Propulsion Pump		See ref 442/300
4		1							Vibration Pump		See ref 913/100
5	RM59097162	2							Rubber damper		
7	RM59103838	2							Engine anchorage		
8	RM58879768	2							Washer		
12	RM96702667	8							Hexagon screw		
13	RM96738596	8							Washer		
14	RM96704952	2							Hexagon screw		
15	RM96738612	2							Plain washer		

16	RM96704630	2							Nut		
23	RM96701917	9							Hexagon screw		
27	RM59286336	1							Flywheel		
29	RM95097879	1							O-ring		
31	RM96702329	4							Hexagon screw		
32	RM96738596	4							Washer		
33		1							Steering Pump		See ref 913/200
34	RM95988796	1							O-ring		
37	RM59232579	1					OP		Bracket		
38		1							Pump control		See ref 912/600
39	RM95309829	2							Screw		
40	RM95919254	8							Hexagon screw		
55	RM95055265	2							Hex. socket screw		
60	RM59164251	1							Switch		WATER TEMPERATURE
61	RM59971457	1							Contact		See footnote 2737)
62	RM96741046	24							Plain washer		
63	RM59104406	1							Ground cable		
66	RM96704309	4							Hexagon screw		
67	RM96715602	1							Hexagon screw		
68	RM96704846	1							Lock nut		
77	RM59731380	2							Washer		
78	RM59539569	2					SS		Washer		

2737) Oil pressure

Date: 2014/1/14	Image id: 1037192	Catalogue: 20177	Model: SD100C
Brand: Volvo	Serial: 198060-	Group/Section: 210/450	Title: Epa Engine Installation OPTIONAL, S/N 175072- , 13409065_13351598_13409073_133



Q1-Q5	Option	Option description	
Q1 13352166_0901			

Pos	Part	Q1	Q2	Q3	Q4	Q5	PS	Kit	Description	Option(s)	Remark
1	RM13845193	1					OP		Engine		
	RM13465539	1					SS		•Oil filter		
	RM13465547	1							•Fuel filter		See footnote 2571)
	RM13064282	1					SS		•Fuel filter		PRE-FUEL FILTER
	RM59587196	2							•Oil filter		
	RM13465554	1					OP		•Belt		
	RM13852256	1							•Alternator		
	RM13465562	1					OP		•Starter motor		
2	RM13351382	1							Control		
3	RM13325857	1							Control box		

4	RM13351341	1					OP		Engine anchorage		See footnote 1324)
5	RM13351358	2							Spacer		
6	RM96705272	4							Hexagon screw		
7	RM96741046	6							Plain washer		
8	RM96704713	4							Hexagon screw		
9	RM13324769	1							Panel		See footnote 2037)
10	RM13315759	1							Indicator lamp		AMBER
11	RM59816447	1							Indicator lamp		
	RM58909268	1							•Bulb		
15	RM13279666	1							Radiator hose		See footnote 2800)
19	RM96704531	1							Lock screw		
21	RM13325808	1							Cover plate		
24	RM13470109	1							Cable harness		CONSOLE
28	RM95923108	1							Hexagon nut		
29	RM13209648	1							Switch		BATTERY MASTER
33	RM43936681	1							Decal		Master Disconnect
34	RM13353164	1							Air tube		
35	RM13342654	1							Sealing ring		
36	RM59344176	1							Clamp		
37	RM58858044	1							Cap		
38	RM59097162	2							Rubber damper		SD-100

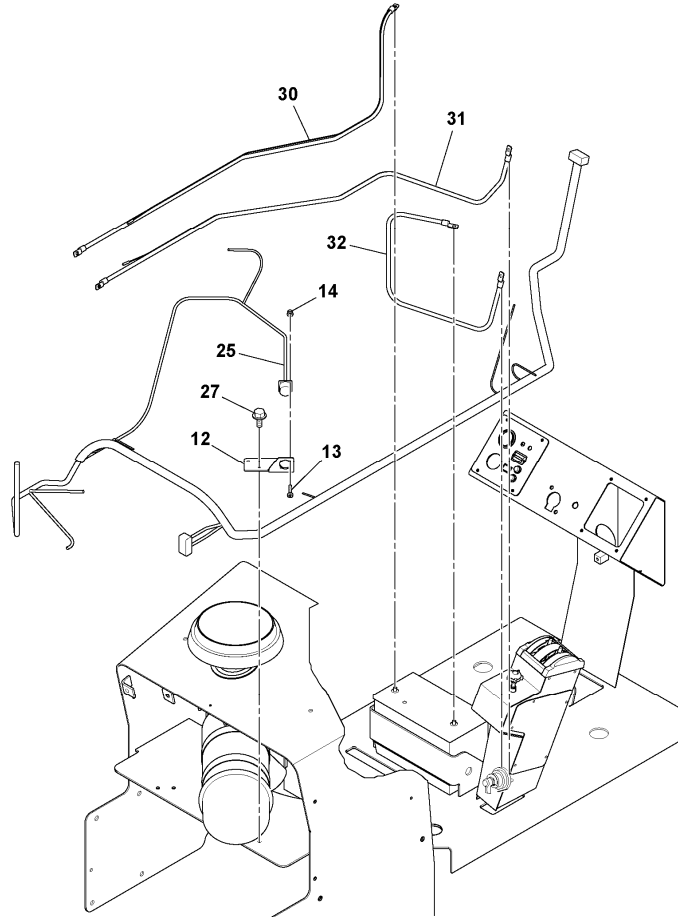
1324) front

2037) Left

2571) Water Separator/Fuel Filter

2800) Bottom

Date: 2014/1/14	Image id: 1037193	Catalogue: 20177	Model: SD100C
Brand: Volvo	Serial: 198060-	Group/Section: 210/500	Title: Epa Engine Installation OPTIONAL, S/N 175072- , 13409065_13351598_13409073_133



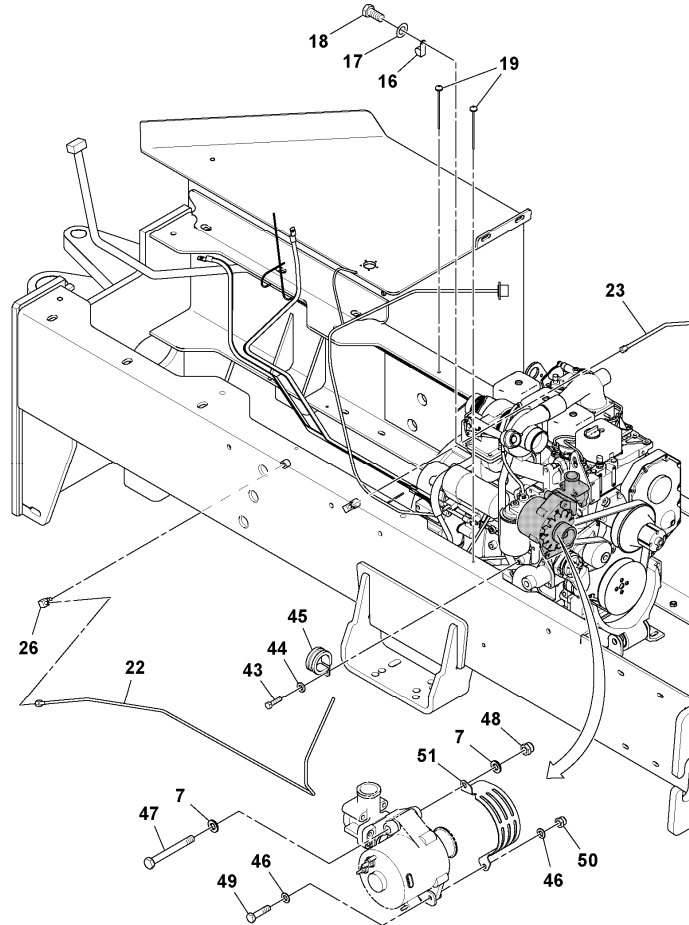
Q1-Q5	Option	Option description	
Q1 13352166_0902			

Pos	Part	Q1	Q2	Q3	Q4	Q5	PS	Kit	Description	Option(s)	Remark
12	RM13324777	1							Bracket		
13	RM59229492	4							Hex. socket screw		
14	RM59137448	4							Lock nut		
25	RM13847710	1							Cable harness		CHASSIS
27	RM59717702	2							Screw		
30	RM13310966	1							Battery cable		See footnote 2799)
31	RM13310958	1							Battery cable		See footnote 2798)
32	RM13342613	1							Ground cable		See footnote 2798)

2798) Negative

2799) Positive

Date: 2014/1/14	Image id: 1037194	Catalogue: 20177	Model: SD100C
Brand: Volvo	Serial: 198060-	Group/Section: 210/550	Title: Epa Engine Installation OPTIONAL, S/N 175072- , 13409065_13351598_13409073_133



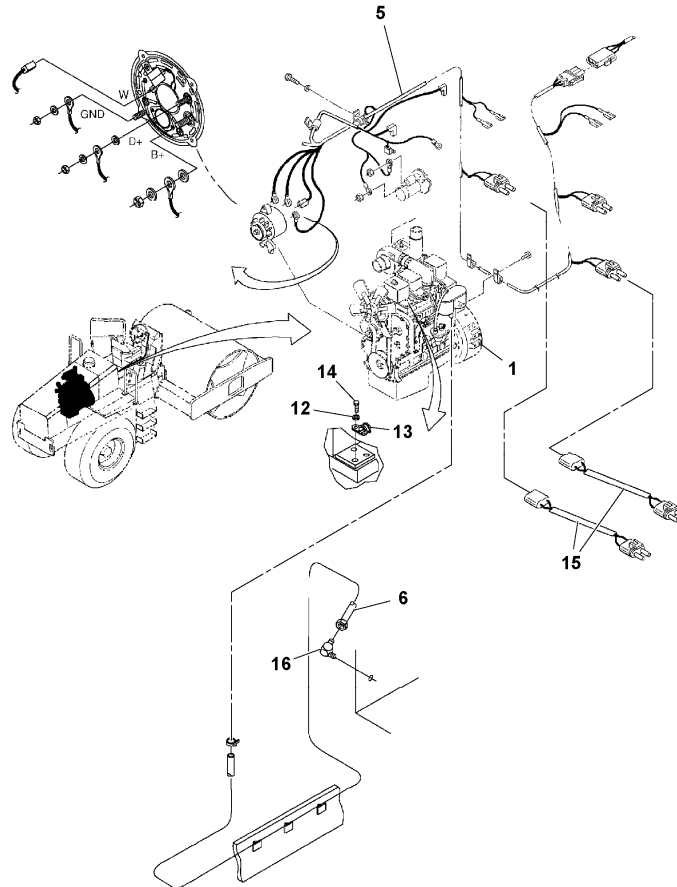
Q1-Q5	Option	Option description	
Q1 13352166_0903			

Pos	Part	Q1	Q2	Q3	Q4	Q5	PS	Kit	Description	Option(s)	Remark
7	RM96741046	6							Plain washer		
16	RM95457586	1							Clamp		
17	RM96738596	1							Washer		
18	RM96701495	1							Hexagon screw		
19	RM96704531	1							Lock screw		
20	RM58820168	REQ							Locking wire		See footnote 2624)
22	RM13342589	1							Hose assembly		
23	RM58965013	1							Hose		
26	RM95329975	1							Adapter		SD-100D/100F
40	RM96741038	2							Washer		See footnote 2624)

41	RM96715602	1							Hexagon screw		See footnote 2624)
42	RM96704614	1							Nut		See footnote 2624)
43	RM96728704	1							Hexagon screw		
44	RM96704606	1							Lock nut		
45	RM59465641	1							Clamp		
46	RM96741038	2							Washer		
47	RM96715602	1							Hexagon screw		
48	RM96704614	1							Nut		
49	RM96728704	1							Hexagon screw		
50	RM96704606	1							Lock nut		
51	RM43855626	1							Guard		

2624) Not Shown

Date: 2014/1/14	Image id: 1037184	Catalogue: 20177	Model: SD100C
Brand: Volvo	Serial: 198060-	Group/Section: 210/600	Title: Epa Engine Installation OPTIONAL, SD-100D S/N 172493-175071, 13301999



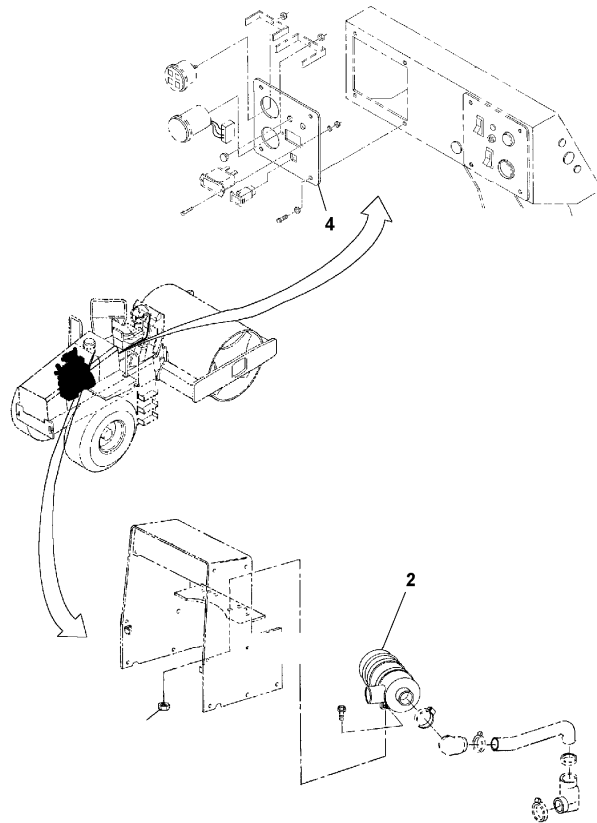
Q1-Q5	Option	Option description	
Q1 13342738_0001			

Pos	Part	Q1	Q2	Q3	Q4	Q5	PS	Kit	Description	Option(s)	Remark
1	RM13323381	1							Engine		
	RM59728170	1							•Oil filter		FILTER ELEMENT
	RM35374677	1							•Fuel filter		PRIMARY
	RM59728196	1							•Fuel filter insert		See footnote 2571)
	RM58827932	1							•Fuel filter		PRE-FUEL FILTER
	RM58887506	1							•Belt		
	RM59106435	1					SS		•Alternator		
	RM59816520	1							•Starter motor		
	RM58875196	1							••Solenoid		
5	RM13310891	1							Cable harness		

6	RM59104976	1							Hose assembly		
12	RM96741046	1							Plain washer		
13	RM59103598	1							Clamp		
14	RM96702279	1							Hexagon screw		
15	RM13310917	2							Cable harness		
16	RM95329975	1							Adapter		

2571) Water Separator/Fuel Filter

Date: 2014/1/14	Image id: 1037185	Catalogue: 20177	Model: SD100C
Brand: Volvo	Serial: 198060-	Group/Section: 210/650	Title: Epa Engine Installation OPTIONAL, SD-100D S/N 172493-175071, 13301999

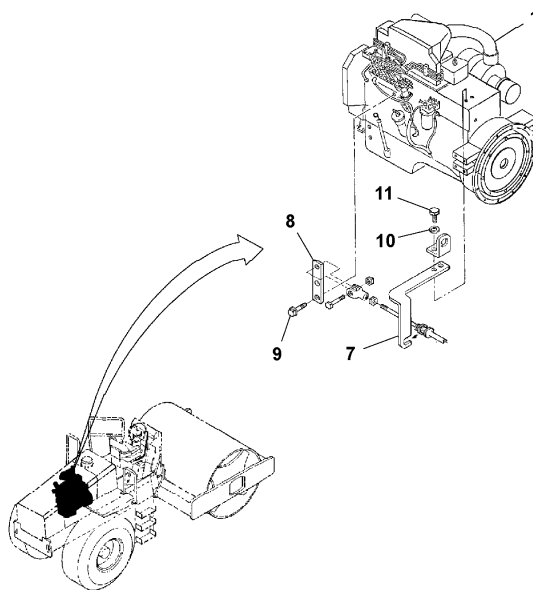


Q1-Q5	Option	Option description	
Q1 13342738_0002			

Pos	Part	Q1	Q2	Q3	Q4	Q5	PS	Kit	Description	Option(s)	Remark
2	RM43931914	1							Air cleaner		(RM59160309)
	RM35318252	1							•Air filter		PRIMARY FILTER ELEMENT
	RM35328442	1							•Safety filter		SAFETY FILTER ELEMENT
	RM50938935	2							•Nut		
	RM50938950	1							•Baffle		
	RM59155564	1							•Cup		
	RM56982143	1							•Valve		
4	RM13305388	1							Panel		See footnote 2037)

2037) Left

Date: 2014/1/14	Image id: 1037186	Catalogue: 20177	Model: SD100C
Brand: Volvo	Serial: 198060-	Group/Section: 210/700	Title: Epa Engine Installation OPTIONAL, SD-100D S/N 172493-175071, 13301999



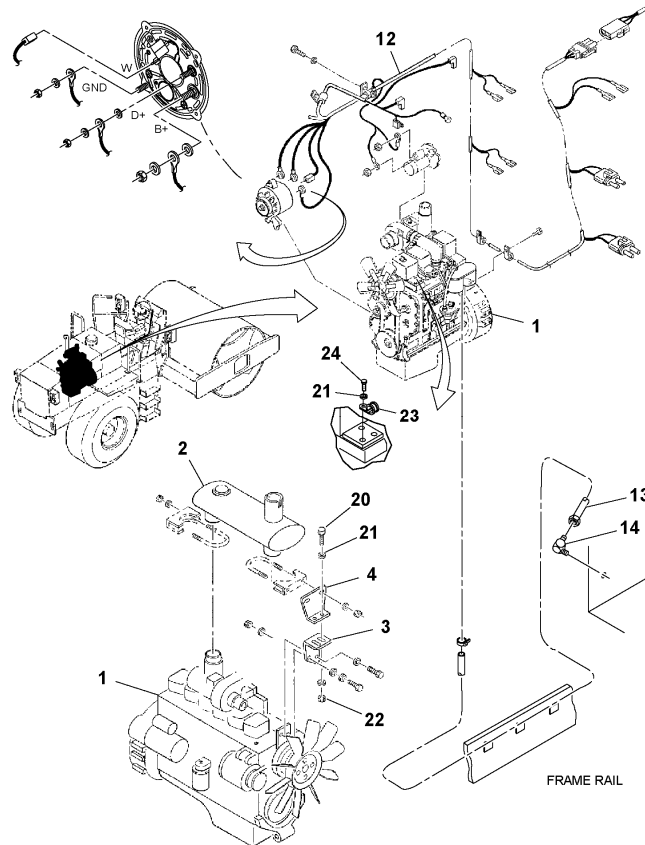
Q1-Q5	Option	Option description	
Q1 13342738_0003			

Pos	Part	Q1	Q2	Q3	Q4	Q5	PS	Kit	Description	Option(s)	Remark
1	RM13323381	1							Engine		
	RM59728170	1							•Oil filter		FILTER ELEMENT
	RM35374677	1							•Fuel filter		PRIMARY
	RM59728196	1							•Fuel filter insert		See footnote 2571)
	RM58827932	1							•Fuel filter		PRE-FUEL FILTER
	RM58887506	1							•Belt		
	RM59106435	1					SS		•Alternator		
	RM59816520	1							•Starter motor		
	RM58875196	1							••Solenoid		
7	RM13222898	1							Bracket		

8	RM59091900	1							Bracket		
9	RM96701958	2							Hexagon screw		
10	RM96738596	2							Washer		
11	RM96702444	2							Hexagon screw		

2571) Water Separator/Fuel Filter

Date: 2014/1/14	Image id: 1037247	Catalogue: 20177	Model: SD100C
Brand: Volvo	Serial: 198060-	Group/Section: 210/750	Title: Epa Engine Installation OPTIONAL, SD-100D S/N - 172492 AND SD-100F S/N - 17507



Q1-Q5	Option	Option description	
Q1 59206953_0601			

Pos	Part	Q1	Q2	Q3	Q4	Q5	PS	Kit	Description	Option(s)	Remark
1	RM13154687	1					OP		Engine		4BTA3.9-C125
	RM59728170	1							•Oil filter		FILTER ELEMENT
	RM35374677	1							•Fuel filter		PRIMARY
	RM59728196	1							•Fuel filter insert		See footnote 2571)
	RM58827932	1							•Fuel filter		PRE-FUEL FILTER
	RM59106435	1					SS		•Alternator		
	RM59816520	1							•Starter motor		
	RM58875196	1							••Solenoid		
2	RM59215780	1							Silencer		
3	RM58947342	1							Bracket		

4	RM58947334	1							Bracket		
12	RM13154927	1							Cable harness		
13	RM59104976	1							Hose assembly		
14	RM95329975	1							Adapter		
20	RM96701917	2							Hexagon screw		
21	RM96741046	5							Plain washer		
22	VOE971071	2							Hexagon nut		
23	RM59103598	1							Clamp		
24	RM96702279	1							Hexagon screw		

2571) Water Separator/Fuel Filter

Thank you so much for reading.
Please click the “Buy Now!”
button below to download the
complete manual.



After you pay.

You can download the most
perfect and complete manual in
the world immediately.

Our support email:

ebooklibonline@outlook.com