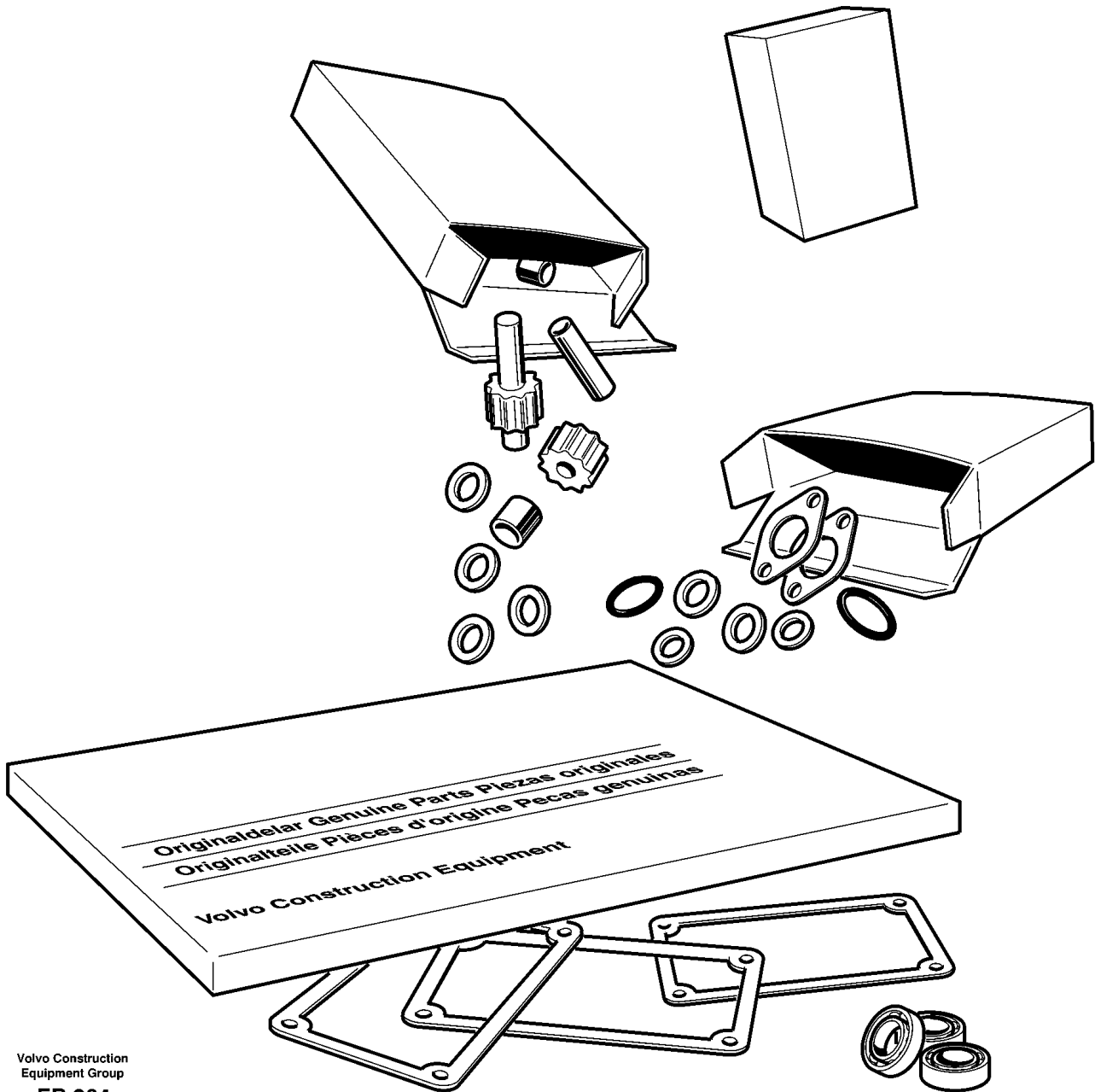


Date: 2014/1/15	Image id: EB264	Catalogue: 20201	Model: SD110
Brand: Volvo	Serial: 51481-52331, 8110011242-9999 9999999	Group/Section: 210/50	Title: Repair kits for engine S/N 51936 -

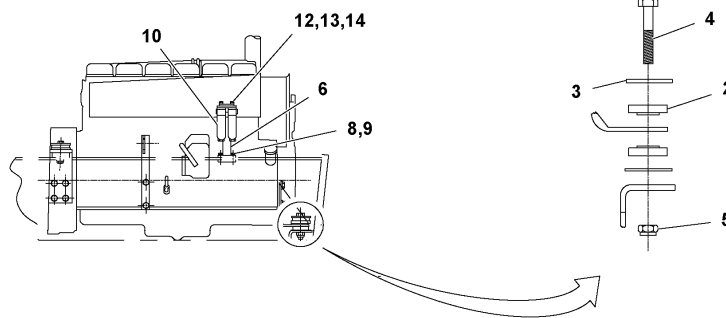
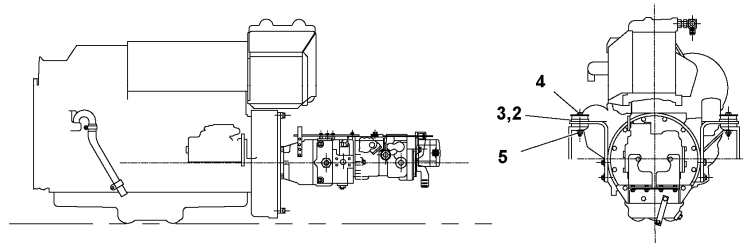


Volvo Construction
Equipment Group
EB 264

Pos	Part	Q1	Q2	Q3	Q4	Q5	PS	Kit	Description	Option(s)	Remark
		1					NS		Filter Kit		250H SERVICE
	VOE70929757	1							•Fuel filter		
	RM70098645	1							•Oil filter		

	RM43911650	2							•Suction filter		
		1					NS		Filter Kit		500H SERVICE
	VOE70929757	1							•Fuel filter		
	RM70098645	1							•Oil filter		
	RM43911650	2							•Suction filter		
	VOE12760431	1							•Air filter		
	VOE12760432	1							•Air filter		

Date: 2014/1/15	Image id: 1040433	Catalogue: 20201	Model: SD110
Brand: Volvo	Serial: 51481-52331, 8110011242-9999 9999999	Group/Section: 210/100	Title: Engine Installation Assembly S/N - 51935



Volvo Construction
Equipment
10xxxxx

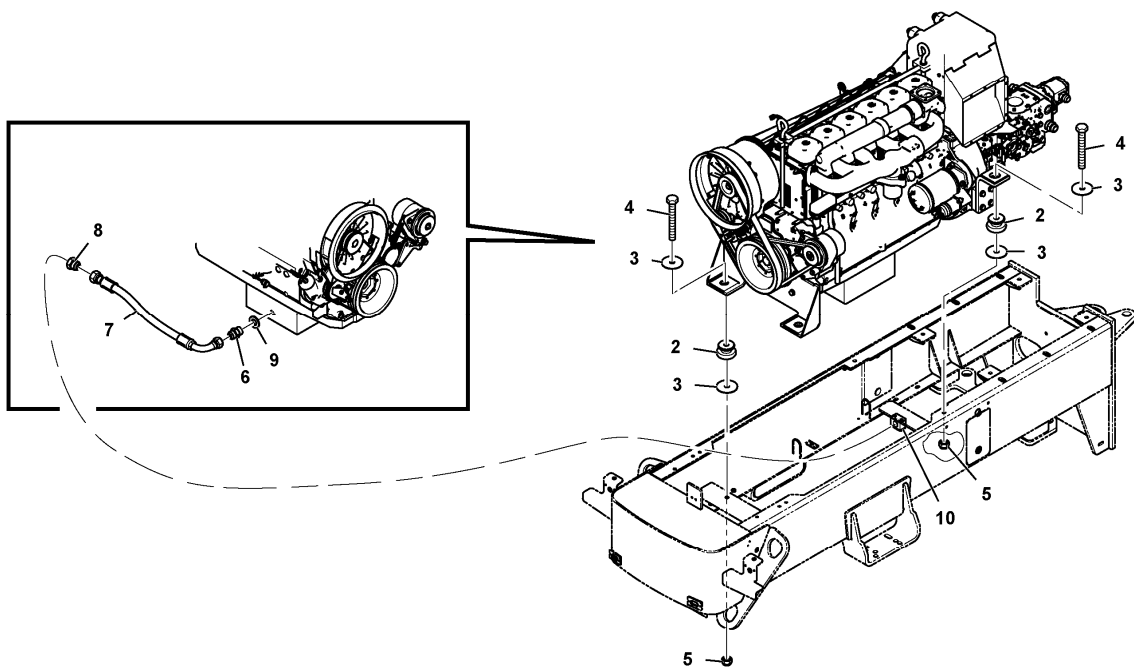
Q1-Q5	Option	Option description	
Q1	70574538		

Pos	Part	Q1	Q2	Q3	Q4	Q5	PS	Kit	Description	Option(s)	Remark
2	RM59546812	8							Mounting plate		
3	RM94071909	8							Washer		
4	RM70154612	4							Bolt		
5	RM10641355	4							Hexagon nut		
6	RM70087721	1							Bracket		
8	RM96719604	2							Plain washer		
9	RM94042256	2							Hexagon screw		
10	RM70098637	1							Fuel filter		See footnote 3322)
	RM70082177	1							Fuel filter		
	RM70082185	1							Fuel filter		

12	RM96719604	2							Plain washer		
13	RM96720206	2							Hexagon screw		
14	RM96719174	2							Hexagon nut		

3322) Part of Engine

Date: 2014/1/15	Image id: 1056687	Catalogue: 20201	Model: SD110
Brand: Volvo	Serial: 51481-52331, 8110011242-9999 9999999	Group/Section: 210/125	Title: Engine Installation Assembly S/N 51936 -



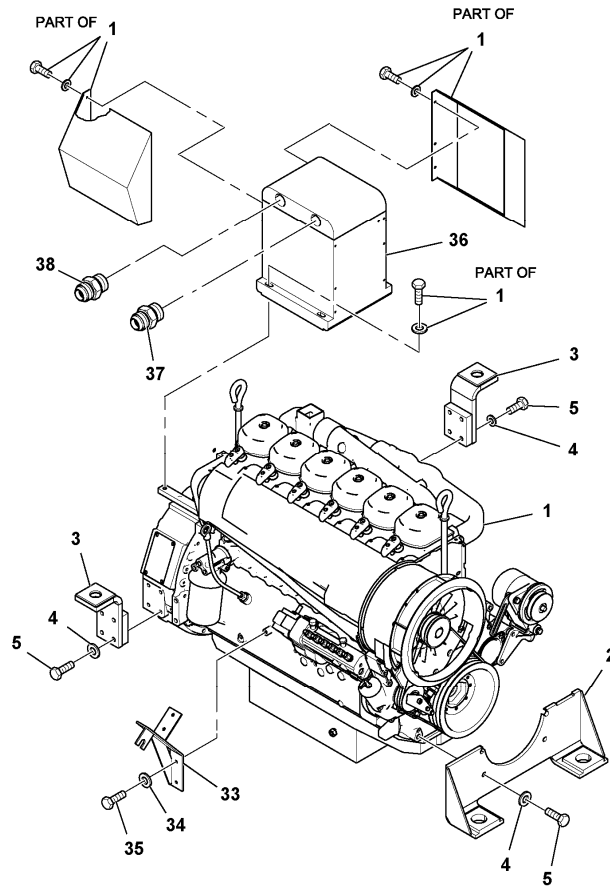
Volvo Construction
Equipment
1056687

Q1-Q5	Option	Option description	
Q1 70892906 70931290			

Pos	Part	Q1	Q2	Q3	Q4	Q5	PS	Kit	Description	Option(s)	Remark
2	RM13026810	4							Rubber damper		
3	RM94071909	8							Washer		
4	RM70151246	4							Hexagon screw		
5	RM96742663	4							Nut Nylock M16		
6	RM94037348	1							Adapter		
7	RM94146917	1							Hydraulic hose		S/N - 52022
7	RM97122444	1							Hydraulic hose		S/N 52023 -
8	RM95382206	1							Plug		
9	RM96712203	1							Seal ring		
10	RM13907530	1							Clamp		See footnote 3322)

3322) Part of Engine

Date: 2014/1/15	Image id: 1040463	Catalogue: 20201	Model: SD110
Brand: Volvo	Serial: 51481-52331, 8110011242-9999 9999999	Group/Section: 210/150	Title: Engine assembly S/N - 51935

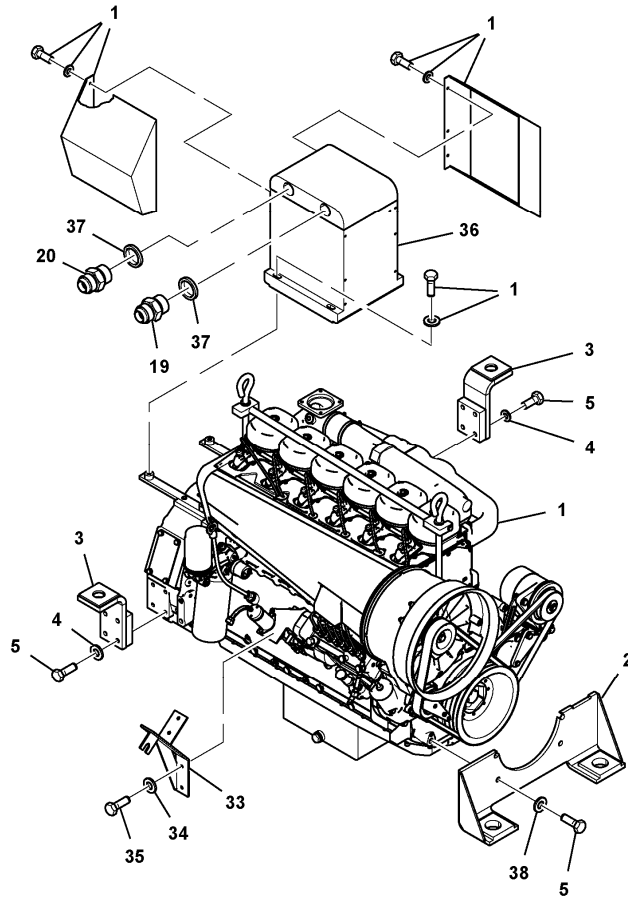


Volvo Construction
Equipment
10xxxxx

Q1-Q5	Option	Option description	
Q1 70914981			

Pos	Part	Q1	Q2	Q3	Q4	Q5	PS	Kit	Description	Option(s)	Remark
1	RM70913058	1							Engine		
	RM70098645	1							Oil filter		
	RM70149125	1							Oil filter		
2	RM70138615	1							Engine anchorage		
3	RM70072723	2							Mounting plate		
4	RM96738596	8							Washer		
5	RM96720750	8							Hexagon screw		
33	RM70076955	1							Bracket		
34	RM96719745	2							Plain washer		
35	RM96718820	2							Hexagon screw		

Date: 2014/1/15	Image id: 1056569	Catalogue: 20201	Model: SD110
Brand: Volvo	Serial: 51481-52331, 8110011242-9999 9999999	Group/Section: 210/200	Title: Engine assembly S/N 51936 -

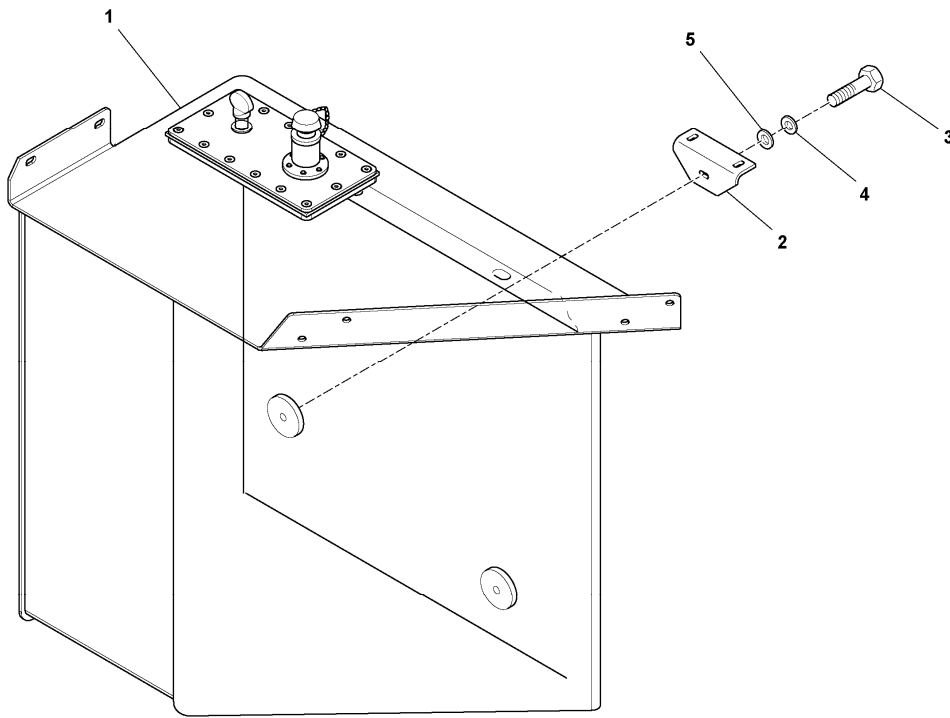


Volvo Construction
Equipment
1056569

Q1-Q5	Option	Option description	
Q1 70892898 70931282			

Pos	Part	Q1	Q2	Q3	Q4	Q5	PS	Kit	Description	Option(s)	Remark
1	RM70910724	1							Engine		
2	RM70897863	1							Weldment Front		
3	RM70888060	2							Weldment, Rear		
4	RM96738596	8							Washer		
5	RM96720750	8							Hexagon screw		
19	RM70074380	1							Adapter		
20	RM70577432	1							Adapter		
33	RM70908256	1							Weldment Thrott		
34	RM96719745	2							Plain washer		
35	RM96718820	2							Hexagon screw		

Date: 2014/1/15	Image id: 1040445	Catalogue: 20201	Model: SD110
Brand: Volvo	Serial: 51481-52331, 8110011242-9999 9999999	Group/Section: 234/100	Title: Fuel Tank Installation S/N - 51935

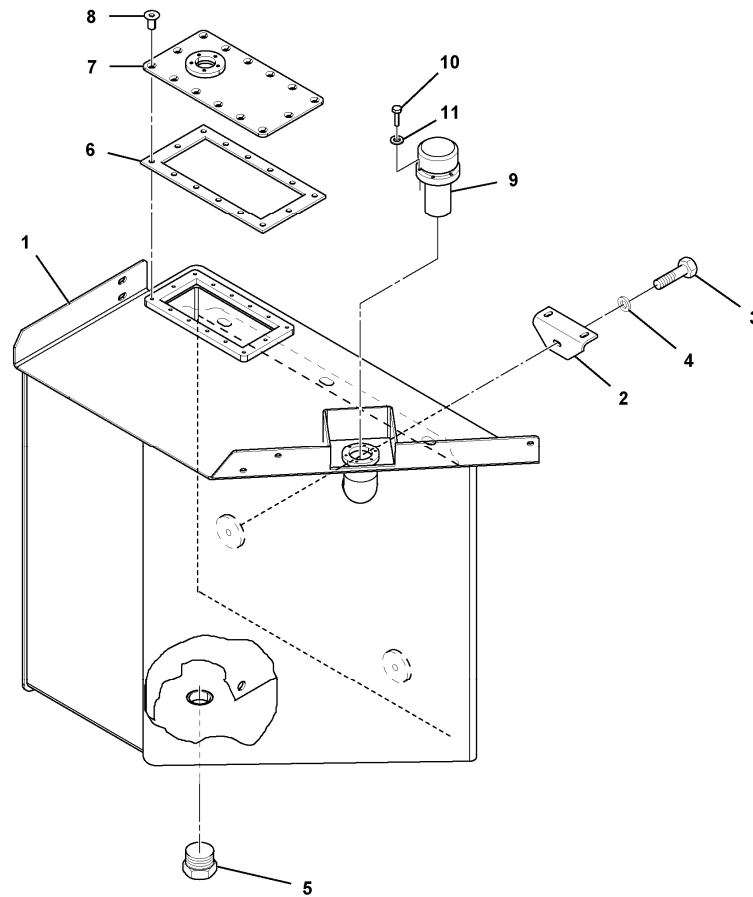


Volvo Construction
Equipment
10xxxxx

Q1-Q5	Option	Option description	
Q1 70645015			

Pos	Part	Q1	Q2	Q3	Q4	Q5	PS	Kit	Description	Option(s)	Remark
1	RM70566526	1					NS		Fuel tank		See ref 234/150
2	RM70567342	1							Mounting plate		
3	RM96718903	1							Hexagon screw		
4	RM96712237	1							Plain washer		

Date: 2014/1/15	Image id: 1056577	Catalogue: 20201	Model: SD110
Brand: Volvo	Serial: 51481-52331, 8110011242-9999 9999999	Group/Section: 234/125	Title: Fuel Tank Installation S/N 51936 - , SD110D

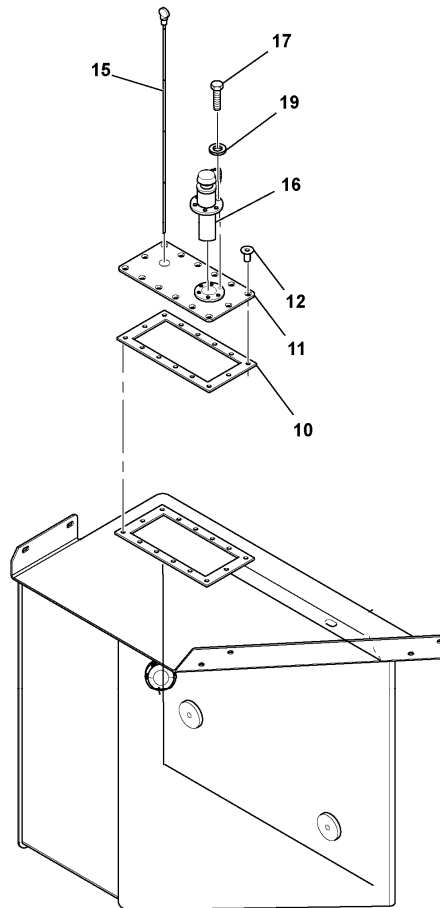


Volvo Construction
Equipment
1056577

Q1-Q5	Option	Option description	
Q1 70893128			

Pos	Part	Q1	Q2	Q3	Q4	Q5	PS	Kit	Description	Option(s)	Remark
1	RM70893136	1							Weldment Tank F		
2	RM70567342	1							Mounting plate		
3	RM96702444	1							Hexagon screw		
4	RM96712237	1							Plain washer		
5	RM95943015	1					NS		Plug		
6	RM70566088	1							Gasket		
7	RM70894464	1							Plate Lid Clean		
8	RM96721196	14							Screw		
9	RM70629399	1							Breather cap		
10	RM96742416	6							Screw		

Date: 2014/1/15	Image id: 1040431	Catalogue: 20201	Model: SD110
Brand: Volvo	Serial: 51481-52331, 8110011242-9999 9999999	Group/Section: 234/150	Title: Fuel Tank Assembly 70566526

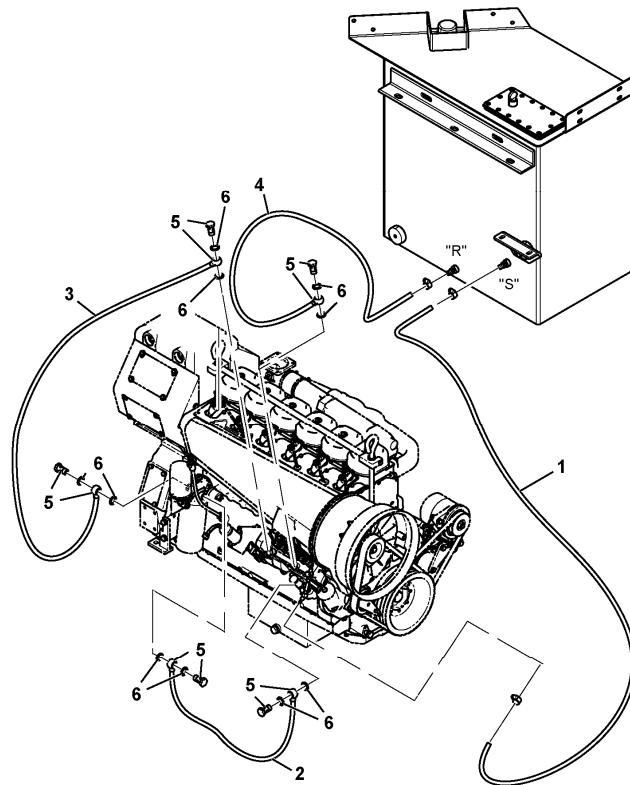


Volvo Construction
Equipment
10xxxxx

Q1-Q5	Option	Option description	
Q1	70566526		

Pos	Part	Q1	Q2	Q3	Q4	Q5	PS	Kit	Description	Option(s)	Remark
10	RM70566088	1							Gasket		
11	RM70566583	1							Lid		
12	RM70131602	14							Screw		
16	RM70701412	1							Venting		
17	RM96702386	6							Hexagon screw		
19	RM96742788	6							Washer		
15	RM70863261	1							Dipstick		

Date: 2014/1/15	Image id: 1056691	Catalogue: 20201	Model: SD110
Brand: Volvo	Serial: 51481-52331, 8110011242-9999 9999999	Group/Section: 235/100	Title: Fuel system. S/N 51936 -

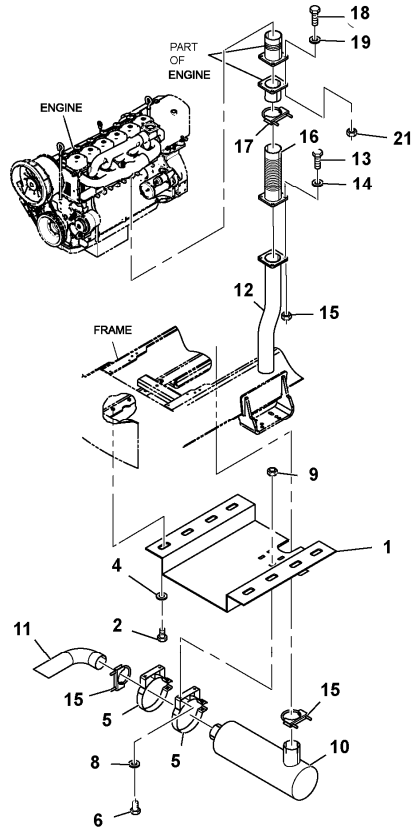


Volvo Construction
Equipment
1056691

Q1-Q5	Option	Option description	
Q1 70917331			

Pos	Part	Q1	Q2	Q3	Q4	Q5	PS	Kit	Description	Option(s)	Remark
1	RM70098553	2							Fuel hose		
3	70917356	2					NS		Fuel hose		
5	70098587	4					NS		Banjo bolt		
6	70098595	8					NS		Copper Washer		

Date: 2014/1/15	Image id: 1040436	Catalogue: 20201	Model: SD110
Brand: Volvo	Serial: 51481-52331, 8110011242-9999 9999999	Group/Section: 252/100	Title: Exhaust Muffler Mounting Assembly S/N - 51935



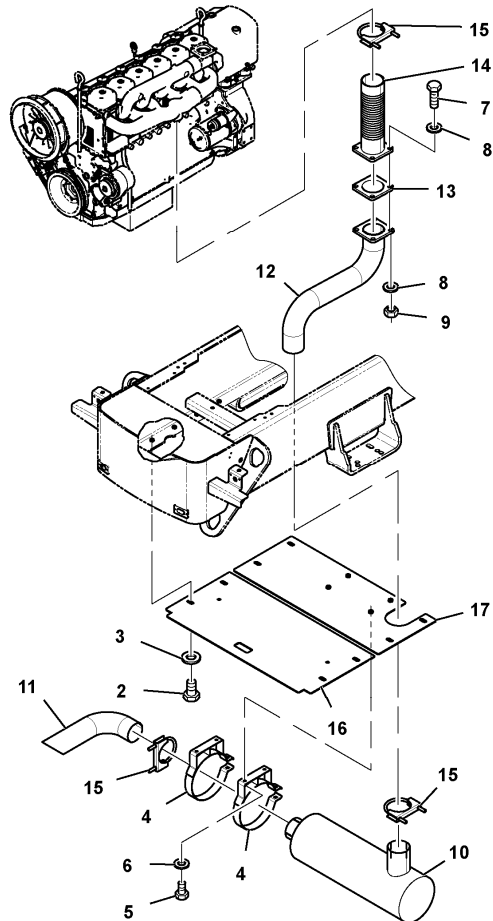
Volvo Construction
Equipment
1040436

Q1-Q5	Option	Option description	
Q1 70611405			

Pos	Part	Q1	Q2	Q3	Q4	Q5	PS	Kit	Description	Option(s)	Remark
1	RM70838941	1							Cover plate		
2	RM96718887	8							Hexagon screw		
4	RM96719604	8							Plain washer		
5	RM70000807	2							Clamp		
6	RM96713318	4							Hexagon screw		
8	RM96719646	4							Plain washer		
9	VOE971071	4							Hexagon nut		
10	RM70126628	1							Silencer		
11	RM70647672	1							Exhaust pipe		
12	RM70838958	1							Adapter		

13	RM96704960	1							Hexagon screw		(RM96713375)
14	RM96719646	1							Plain washer		
15	VOE971071	1							Hexagon nut		
16	RM70605647	1							Exhaust pipe		
17	RM70086723	3							Clamp		
18	RM96713466	4							Hexagon screw		
19	RM96719604	4							Plain washer		
21	RM94114469	4							Hexagon nut		

Date: 2014/1/15	Image id: 1056690	Catalogue: 20201	Model: SD110
Brand: Volvo	Serial: 51481-52331, 8110011242-9999 9999999	Group/Section: 252/150	Title: Exhaust Muffler Mounting Assembly S/N 51936 -



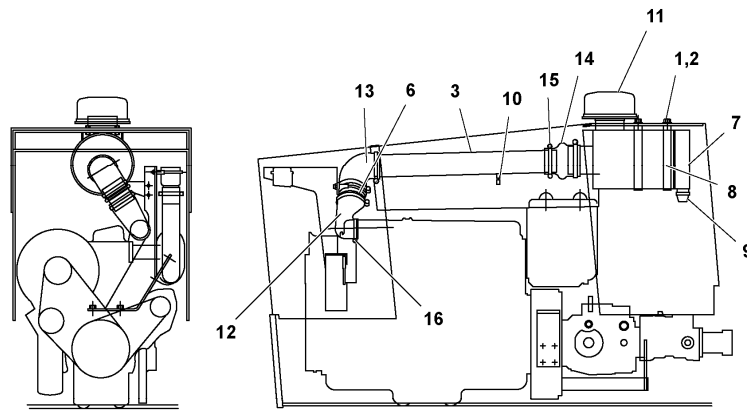
Volvo Construction
Equipment
1056690

Q1-Q5	Option	Option description	
Q1 70892955			

Pos	Part	Q1	Q2	Q3	Q4	Q5	PS	Kit	Description	Option(s)	Remark
2	RM96702329	8							Hexagon screw		
3	RM96738596	8							Washer		
4	RM70000807	2							Clamp		
5	RM96718820	4							Hexagon screw		
6	RM96741038	4							Washer		
7	RM96704556	4							Hexagon screw		
8	RM96741046	8							Plain washer		
9	RM96704614	4							Nut		
10	RM70126628	1							Silencer		
11	RM70647672	1							Exhaust pipe		

12	RM70888086	1							Weldment Adapto		
13	RM70899455	1							Gasket Exhaust		
14	RM70899398	1							Bellows Expansi		
15	RM70086723	3							Clamp		
16	RM46686366							NS	Cover		
17	RM46686382	1						NS	Cover		

Date: 2014/1/15	Image id: 1040430	Catalogue: 20201	Model: SD110
Brand: Volvo	Serial: 51481-52331, 8110011242-9999 9999999	Group/Section: 256/100	Title: Air cleaner installation S/N - 51935



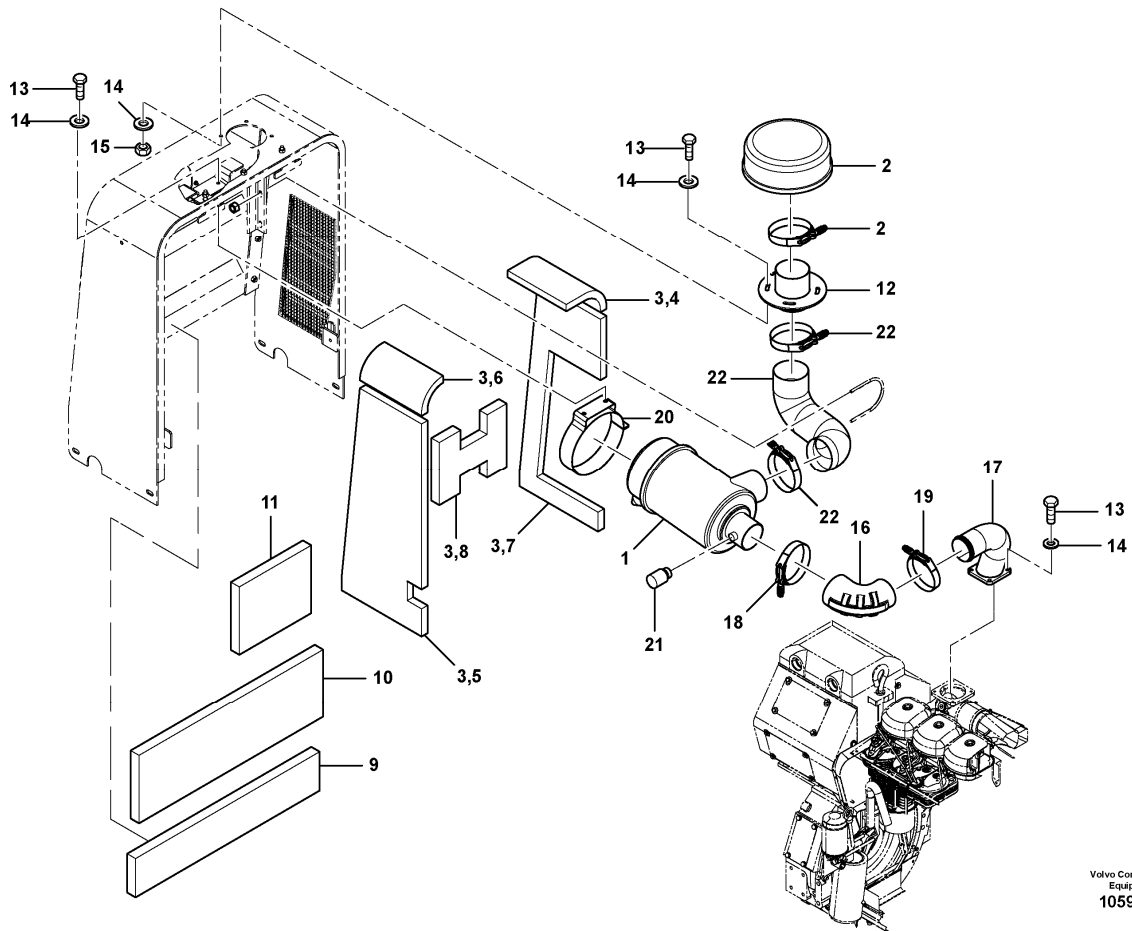
Volvo Construction
Equipment
10xxxxx

Q1-Q5	Option	Option description	
Q1	70146113		

Pos	Part	Q1	Q2	Q3	Q4	Q5	PS	Kit	Description	Option(s)	Remark
1	RM96713326	4							Hexagon screw		
2	RM58838384	4							Hexagon nut		
3	RM70077060	1							Inlet pipe		
6	RM70079579	1							Connector		
7	RM70079546	1							Primary filter		
	RM70543905	1							Air filter		
	RM70543913	1							Air filter		
8	RM70079561	2							Clamp		
9	RM70098538	1							Valve		
10	RM70079520	1							Indicator		

11	RM70079553	1							Pre-cleaner		
12	RM70079496	1							Hose		
13	RM70079504	1							Hose		
14	RM70079512	1							Hose		
15	RM70099601	5							Clip		
16	RM70099593	1							Hose clamp		

Date: 2014/1/15	Image id: 1059724	Catalogue: 20201	Model: SD110
Brand: Volvo	Serial: 51481-52331, 8110011242-9999 9999999	Group/Section: 256/150	Title: Air cleaner installation S/N 51936 -



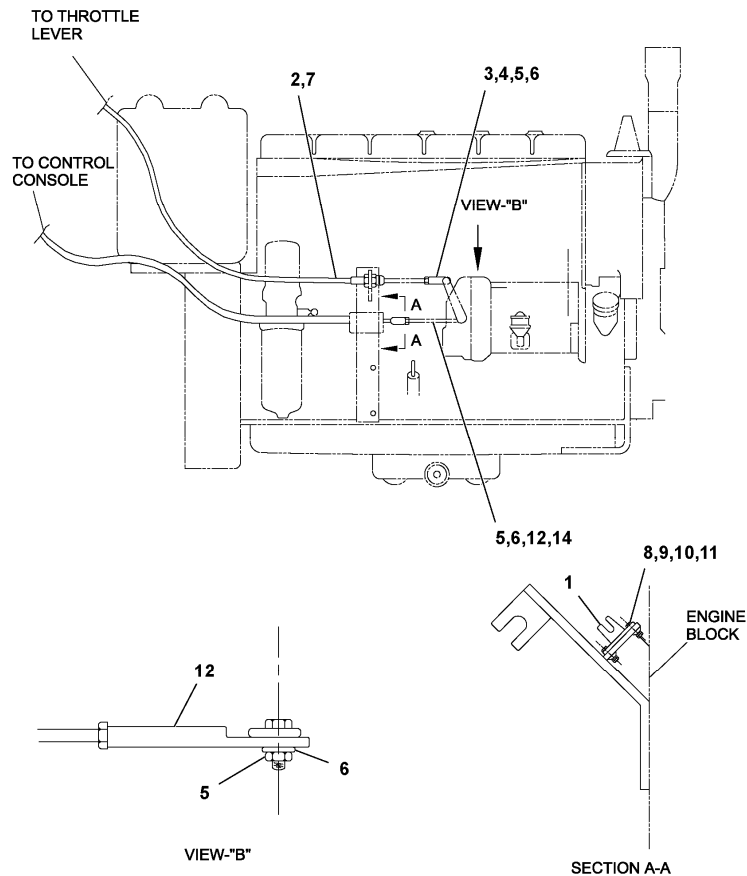
Volvo Construction
Equipment
1059724

Q1-Q5	Option	Option description	
Q1	70893599		

Pos	Part	Q1	Q2	Q3	Q4	Q5	PS	Kit	Description	Option(s)	Remark
1	RM70893607	1							Assembly Air Cl		
2	RM70861984	1							Dust cover		
3	RM70918883								Sound absorber		
4	VOE12761000								Sound absorber		
5	VOE12761001								Sound absorber		
6	VOE12761002								Sound absorber		
7	VOE12761003								Sound absorber		
8	VOE12761004								Sound absorber		
9	RM70918974	1							Sound absorber		
10	RM70918982	1							Sound absorber		

11	RM70921838	1							Sound absorber		
12	RM70921770	1							Inlet pipe		
13	RM96702659	10							Hexagon screw		
14	RM96741020	14							Washer		
15	RM96701370	4							Nut		
16	RM70885041	1							Elbow Reducer 7		
17	RM70921754	1							Inlet pipe		
18	RM70893748	1							Clamp		
19	RM70893755	1							Clamp		
20	RM70899380	1							Strap		
21	RM70079520	1							Indicator		
22	RM70875844	1							Hose Flexible		

Date: 2014/1/15	Image id: 1040429	Catalogue: 20201	Model: SD110
Brand: Volvo	Serial: 51481-52331, 8110011242-9999 9999999	Group/Section: 272/100	Title: Throttle Installation Assembly S/N - 51935



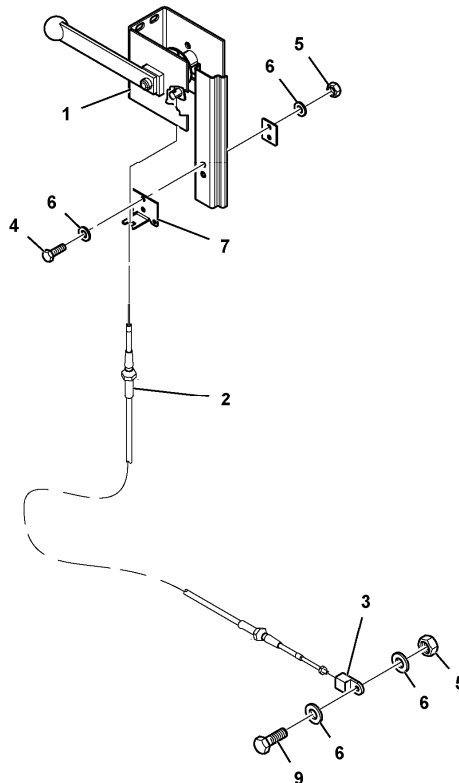
Volvo Construction
Equipment
10xxxxx

Q1-Q5	Option	Option description	
Q1 70146105			

Pos	Part	Q1	Q2	Q3	Q4	Q5	PS	Kit	Description	Option(s)	Remark
1	RM70577614	1							Throttle control		
2	RM70186572	1							Throttle control cable		
3	RM70081302	1							Clevis		
4	RM96714266	1							Hexagon screw		
5	RM70036470	2							Hexagon screw		
6	RM96719729	4							Plain washer		
7	RM70037494	1							Double clamp		
8	RM96714258	4							Hexagon screw		
10	RM96719729	4							Plain washer		
11	RM96712781	4							Hexagon nut		

12	RM70541016	1							Clevis		
14	RM96714241	1							Hexagon screw		

Date: 2014/1/15	Image id: 1056692	Catalogue: 20201	Model: SD110
Brand: Volvo	Serial: 51481-52331, 8110011242-9999 9999999	Group/Section: 272/150	Title: Throttle Installation Assembly S/N 51936 -



Volvo Construction
Equipment
1056692

Q1-Q5	Option	Option description	
Q1 70893409			

Pos	Part	Q1	Q2	Q3	Q4	Q5	PS	Kit	Description	Option(s)	Remark
1	RM70612841	1							Hand control throttle		
2	RM70538962	1					OP		Throttle cable control		
3	RM70541016	1							Clevis		
4	RM96701461	5							Hexagon screw		
5	RM96704176	6							Hexagon nut		
6	RM96741053	8							Washer		
7	RM70037494	1							Double clamp		
9	RM96701958	1							Hexagon screw		

Thank you so much for reading.
Please click the “Buy Now!”
button below to download the
complete manual.



After you pay.

You can download the most
perfect and complete manual in
the world immediately.

Our support email:

ebooklibonline@outlook.com