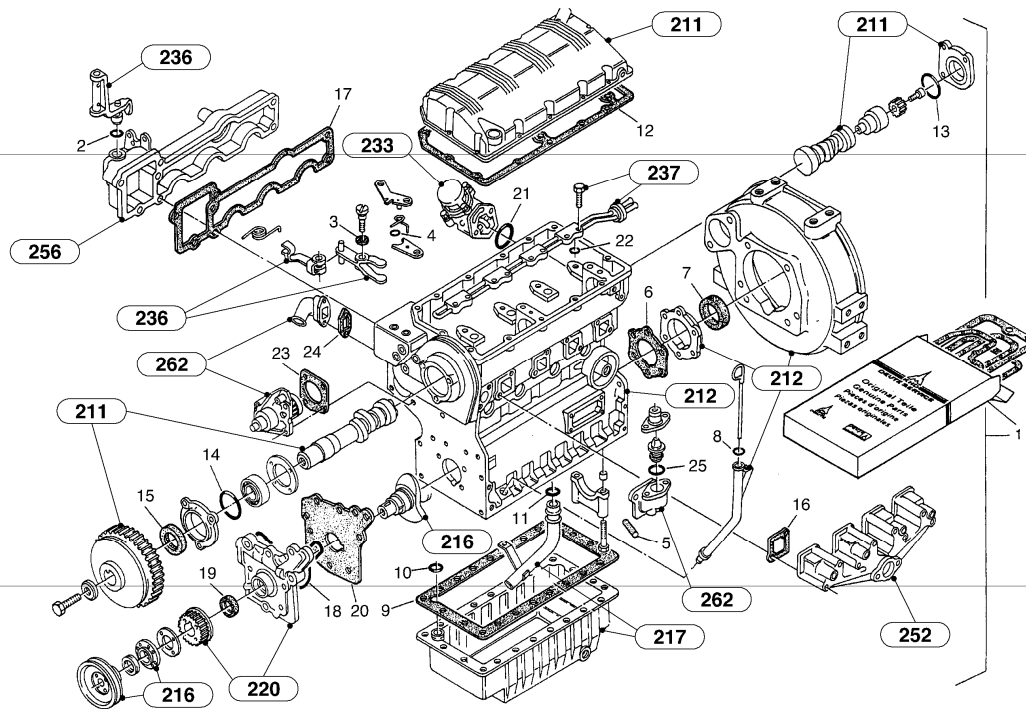


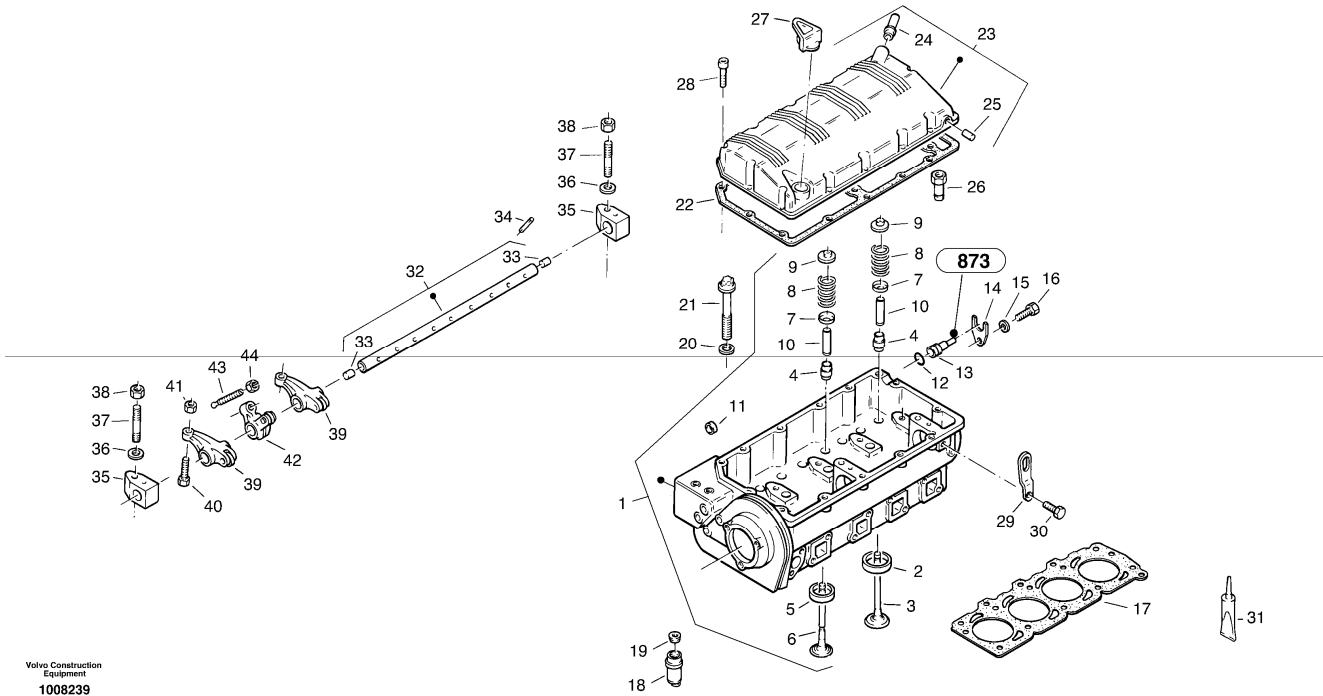
Date: 2013/11/5	Image id: 1009512	Catalogue: 07506	Model: ZL302C
Brand: Volvo	Serial: 2404001-2404999	Group/Section: 210/100	Title: Engine gasket kit



Pos	Part	Q1	Q2	Q3	Q4	Q5	PS	Kit	Description	Option(s)	Remark
1	ZM2900778	1					SS		Gasket set, cpl.		
2	ZM2901037	1							•O-ring		
3	ZM2901039	1							•Seal		
4	ZM2901049	1							•O-ring		
5	ZM2900785	4							•Gasket		
6	ZM2900788	1					SS		•Gasket		
7	ZM2900790	1							•Seal		
8	ZM2901072	1							•O-ring		
9	ZM2901065	1							•Gasket		
10	ZM2901064	1							•O-ring		
11	ZM2901071	1							•O-ring		
12	ZM2900833	1							•Gasket		
13	ZM2900863	1							•O-ring		
14	ZM2900868	1							•O-ring		
15	ZM2900879	1							•Seal		
16	ZM2901014	1							•Gasket		
17	ZM2901016	1							•Gasket		
18	ZM2900800	1							•Gasket		
19	ZM2900801	1							•Seal		
20	VOE15061968	1							•Gasket		(ZM2900803)

21	ZM2900932	1							•O-ring		
22	ZM2900934	1							•O-ring		
23	ZM2900992	1							•Gasket		
24	VOE15199865	1							•Gasket		(ZM2900991)
25	ZM2901007	1							•O-ring		

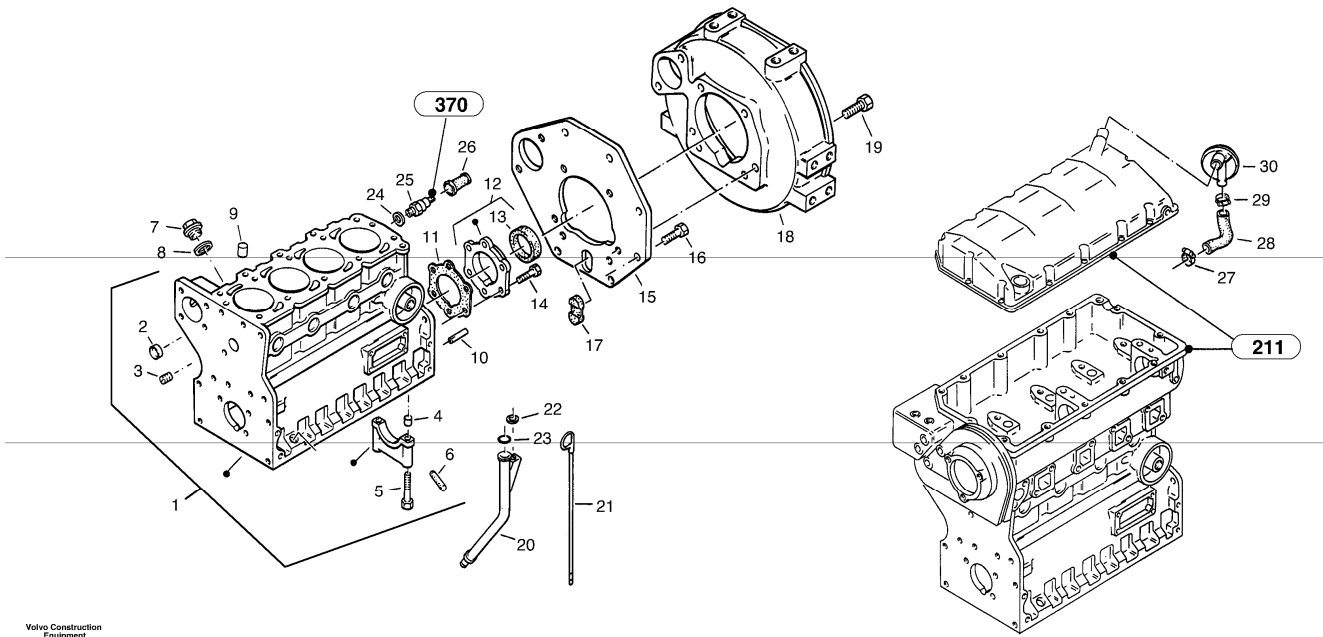
Date: 2013/11/5	Image id: 1008239	Catalogue: 07506	Model: ZL302C
Brand: Volvo	Serial: 2404001-2404999	Group/Section: 211/100	Title: Cylinder head



Volvo Construction
Equipment
1008239

Pos	Part	Q1	Q2	Q3	Q4	Q5	PS	Kit	Description	Option(s)	Remark
1	ZM2900809	1							Cylinder head		-2409028
1	VOE15025304	1							Cylinder head		(ZM2909817)2409029-
2	ZM2900820	4					OP		•Valve Seat Ring		-2409028
2	ZM2909822	4							•Valve Seat Ring		2409029-
3	ZM2900811	4							•Inlet valve		-2409028
3	ZM2909818	4							•Inlet valve		2409029-
4	ZM2900821	8							•Gasket		
5	ZM2900819	4					OP		•Valve Seat Ring		-2409028
5	ZM2909821	4							•Valve Seat Ring		2409029-
6	ZM2900816	4							•Exhaust Valve		-2409028
6	ZM2909816	4							•Exhaust Valve		2409029-
7	ZM2900817	8							•Washer		
8	ZM2900810	8							•Valve Spring		-2409028
8	ZM2909815	8							•Valve Spring		2409029-
9	ZM2900812	8							•Spring Disc		
10	ZM2900813	8							•Valve Guide		
10	ZM2900814	REQ							•Valve Guide		+0,50 mm
11	ZM2900815	6							•Plug		
12	ZM2900823	1							•O-ring		
13	ZM2901235	1							•Hose Connection		

Date: 2013/11/5	Image id: 1008231	Catalogue: 07506	Model: ZL302C
Brand: Volvo	Serial: 2404001-2404999	Group/Section: 212/100	Title: Engine housing

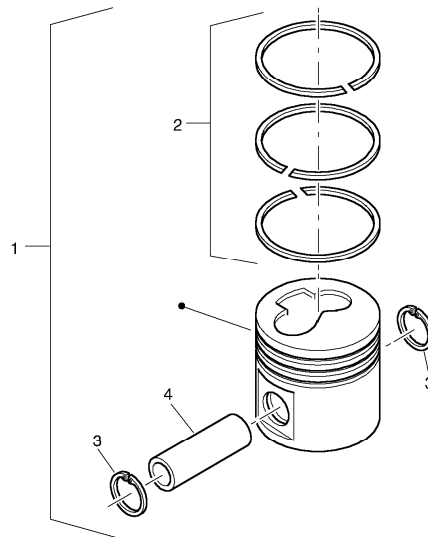


Volvo Construction
Equipment
1008231

Pos	Part	Q1	Q2	Q3	Q4	Q5	PS	Kit	Description	Option(s)	Remark
1	ZM2900780	1							Crankcase		-2409028
1	ZM2909788	1							Crankcase		2409029-
2	ZM2900781	8							•Plug		
3	ZM2900782	1							•Screw plug		
4	ZM2900783	10							•Fitted bush		
5	ZM2900784	10							•Screw		
6	ZM2900785	4							•Gasket		
7	ZM2900786	1							Plug		
8	ZM2900787	1							Seal		
9	ZM2900783	2							Fitted bush		
10	ZM2900794	4							Pin		
11	ZM2900788	1					SS		Gasket		
12	ZM2909783	1							Flange		
13	ZM2900790	1							•Seal		
14	ZM2900791	6							Screw		-2409028
14	ZM2900830	6							Screw		2409029-
15	ZM2900792	1							Conn Plate		
16	ZM2900793	9							Screw		-2409028
17	ZM2900795	1							Plug		
18	ZM2901059	1					OP		Intermediate		

									housing		
19	ZM2901060	11							Screw		
20	ZM2900912	1							Dipstick Tube		-2409028
20	ZM2909790	1							Dipstick Tube		2409028-
21	ZM2900910	1							Oil Dipstick		-2409028
21	ZM2909791	1							Oil Dipstick		2409029-
22	ZM2900911	1							Washer		-2409028
23	ZM2901072	1							O-ring		
24	ZM2900787	1							Seal		
25	ZM2901241	1							Oil pressure sensor		
26	ZM2901277	1							Rubber Sleeve		
27	ZM2900825	1							Clamp		
28	ZM2900832	1							Release hose		
29	ZM2900825	1							Clamp		
30	ZM2900844	1							Breather Cap		

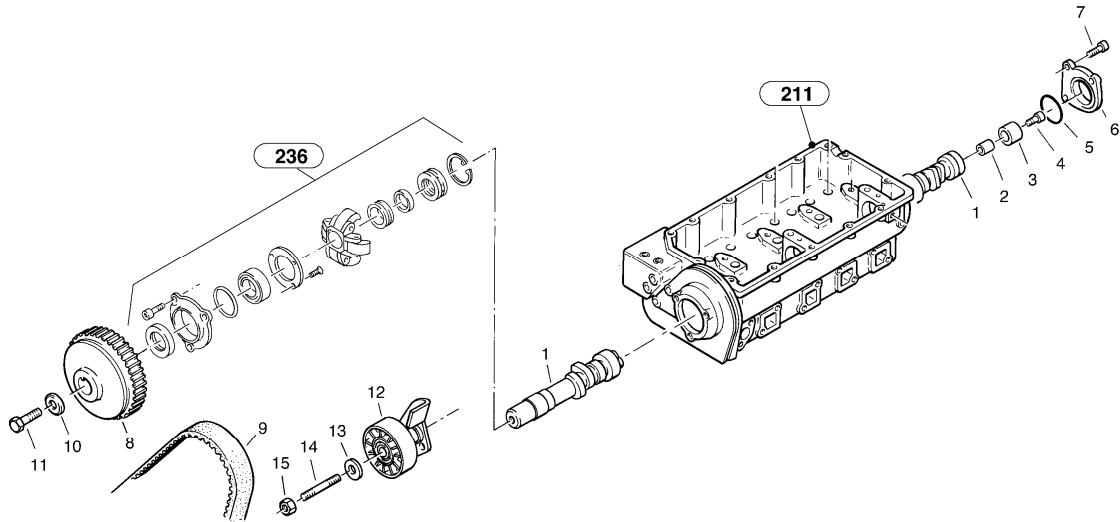
Date: 2013/11/5	Image id: 1008249	Catalogue: 07506	Model: ZL302C
Brand: Volvo	Serial: 2404001-2404999	Group/Section: 213/100	Title: Piston



Volvo Construction
Equipment
1008249

Pos	Part	Q1	Q2	Q3	Q4	Q5	PS	Kit	Description	Option(s)	Remark
1	ZM2900902	4							Piston		-2409028
1	ZM2909806	4							Piston		2409029-
1	ZM2900903	REQ							Piston		+0,50 mm, -2409028
1	ZM2909811	REQ							Piston		+0,50 mm, 2409029-
1	ZM2900904	REQ							Piston		+1,00 mm, -2409028
1	ZM2909812	REQ							Piston		+1,00 mm, 2409029-
2	ZM2900905	1							Piston Ring Kit		-2409028
2	ZM2909805	1							Piston Ring Kit		2409029-
2	ZM2900906	REQ					OP		Piston Ring Kit		+0,50 mm, -2409028
2	ZM2909809	REQ							Piston Ring Kit		+0,50 mm, 2409029-
2	ZM2900907	REQ							Piston Ring Kit		+1,00 mm, -2409028
2	ZM2909810	REQ							Piston Ring Kit		+1,00 mm, 2409029-
3	ZM2900909	2							Safety ring		-2409028
3	ZM2909808	2							Safety ring		2409029-
4	ZM2900908	1							Piston Pin		-2409028
4	ZM2909807	1							Piston Pin		2409029-

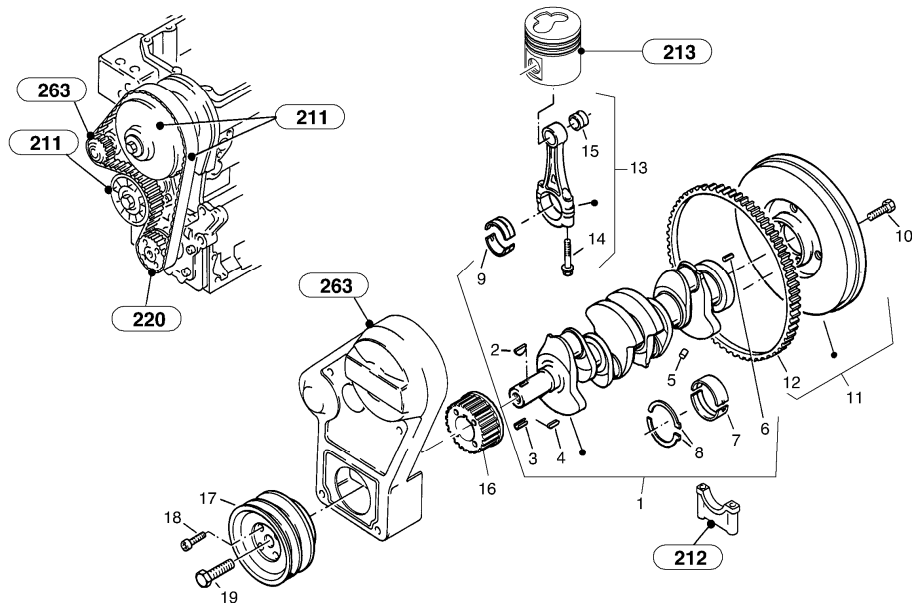
Date: 2013/11/5	Image id: 1008240	Catalogue: 07506	Model: ZL302C
Brand: Volvo	Serial: 2404001-2404999	Group/Section: 215/100	Title: Camshaft



Volvo Construction
Equipment
1008240

Pos	Part	Q1	Q2	Q3	Q4	Q5	PS	Kit	Description	Option(s)	Remark
1	ZM2900857	1							Camshaft		
2	ZM2900783	1							Fitted bush		
3	ZM2900859	1							Bushing		
4	ZM2900862	1							Screw		
5	ZM2900863	1							O-ring		
6	ZM2900864	1							Flange		-2409028
6	ZM2909825	1							Flange		2409029-
7	ZM2901232	3							Screw		-2409028
7	ZM2900791	3							Screw		2409029-
8	ZM2900878	1							Toothed belt wheel		
9	ZM2900860	1							Tooth Belt		114 RHD, SB 10.089
9	ZM2905964	1							Tooth belt		113 RHD, SB 10.089
10	ZM2900877	1					OP		Washer		
11	ZM2900876	1					OP		Screw		
12	ZM2900880	1							Tension Pulley		
13	ZM2900872	1							Washer		
14	ZM2900870	1					OP		Screw		
15	ZM2900852	1							Nut		

Date: 2013/11/5	Image id: 1008248	Catalogue: 07506	Model: ZL302C
Brand: Volvo	Serial: 2404001-2404999	Group/Section: 216/100	Title: Crankshaft

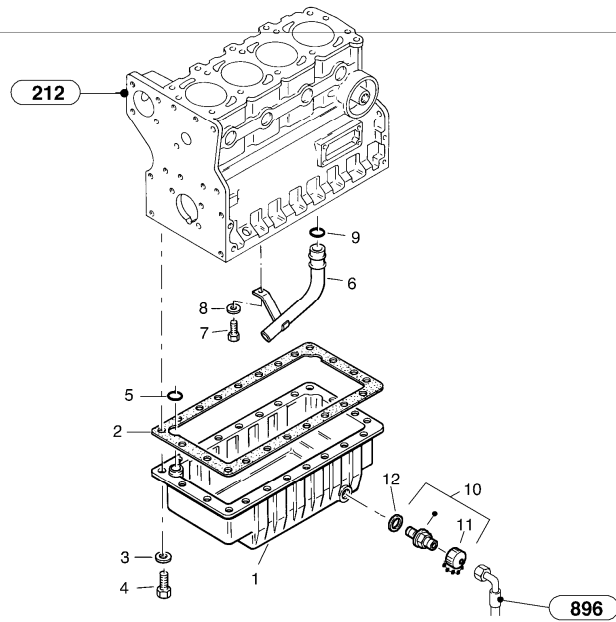


Volvo Construction
Equipment
1008248

Pos	Part	Q1	Q2	Q3	Q4	Q5	PS	Kit	Description	Option(s)	Remark
1	ZM2900881	1							Crankshaft		-2409028
1	ZM2909794	1							Crankshaft		2409029-
2	ZM2900882	1							•Disc Spring		
3	ZM2900885	1							•Clamping pin		
4	ZM2900884	1					OP		•Disc Spring		-2409028
4	ZM2909793	1							•Disc Spring		2409029-
5	ZM2900828	1							•Plug		
6	ZM2900883	1							•Clamping pin		
7	ZM2900886	5							•Crankshaft bearing		-2409028
7	ZM2909795	5							•Crankshaft bearing		2409029-
7	ZM2900887	REQ							•Crankshaft bearing		-0,25 mm, -2409028
7	ZM2909799	REQ							•Crankshaft bearing		-0,25 mm, 2409029-
7	ZM2900888	REQ							•Crankshaft bearing		-0,50 mm, -2409028
7	ZM2909800	REQ							•Crankshaft bearing		-0,50 mm, 2409029-
8	ZM2900889	2							•Raceway Washer		-2409028
8	ZM2909796	2							•Raceway Washer		2409029-
8	ZM2900890	REQ							•Raceway Washer		+0,50 mm, -2409028
8	ZM2909797	REQ							•Raceway Washer		+0,50 mm, 2409029-
8	ZM2900891	REQ							•Raceway Washer		+1,00 mm, -2409028
8	ZM2909798	REQ							•Raceway Washer		+1,00 mm, 2409029-

9	ZM2900892	4							•Piston Bearing		
9	ZM2909801	REQ							•Piston Bearing		-0,25 mm
9	ZM2900894	REQ							•Piston Bearing		-0,50 mm, -2409028
9	ZM2909802	REQ							•Piston Bearing		-0,50 mm, 2409029-
10	ZM2900895	5							Screw		
11	ZM2900898	1							Flywheel		
12	VOE15173207	1							•Flywheel		(ZM2900897)
13	ZM2900899	4							Connecting rod		-2409028
13	ZM2909804	4							Connecting rod		2409029-
14	ZM2900901	8							•Screw		
15	ZM2900900	4							•Bush		-2409028
15	ZM2909803	4							•Bush		2409029-
16	ZM2900807	1							Toothed belt wheel		
17	ZM2900979	1							V-belt Pulley		-2409028
17	VOE15138802	1							Pulley		(ZM2909792)2409029-
18	ZM2900980	4							Screw		-2409028
19	VOE17218737	1							Screw		(ZM2900896)

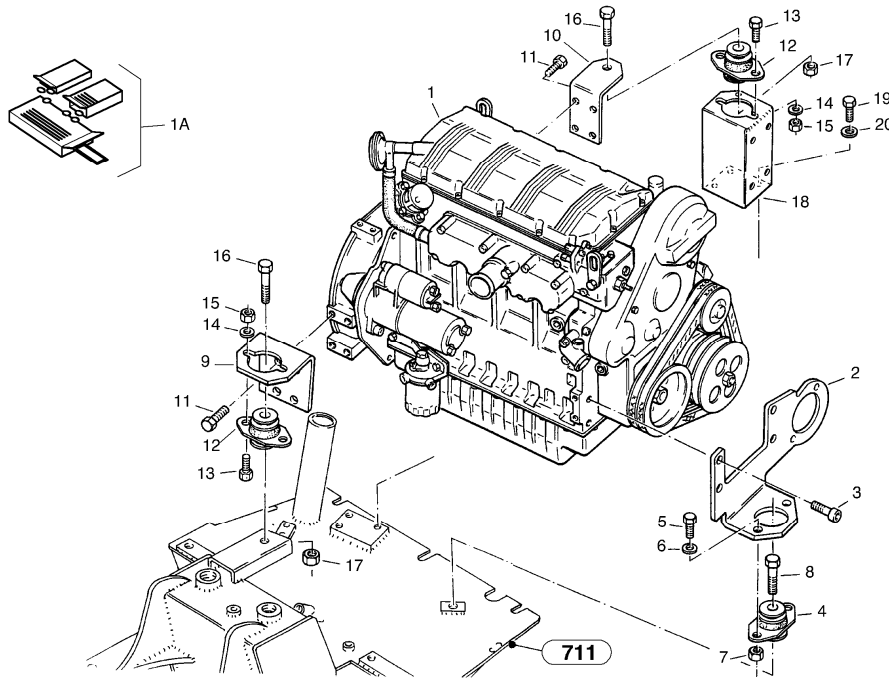
Date: 2013/11/5	Image id: 1008238	Catalogue: 07506	Model: ZL302C
Brand: Volvo	Serial: 2404001-2404999	Group/Section: 217/100	Title: Oil sump



Volvo Construction
Equipment
1008238

Pos	Part	Q1	Q2	Q3	Q4	Q5	PS	Kit	Description	Option(s)	Remark
1	ZM2901061	1							Oil Pan		
2	ZM2901065	1							Gasket		
3	ZM2901066	22							Washer		
4	ZM2901067	22							Screw		
5	ZM2901064	1							O-ring		
6	ZM2901068	1							Oil Pipe		
7	ZM2901070	1							Screw		
8	ZM2901073	1							Washer		
9	ZM2901071	1							O-ring		
10	ZM4384256	1							Valve		
11	ZM2285689	1							Chain with cap		
12	ZM7099518	1							Seal		C18x24

Date: 2013/11/5	Image id: 1007542	Catalogue: 07506	Model: ZL302C
Brand: Volvo	Serial: 2404001-2404999	Group/Section: 218/100	Title: Engine assy

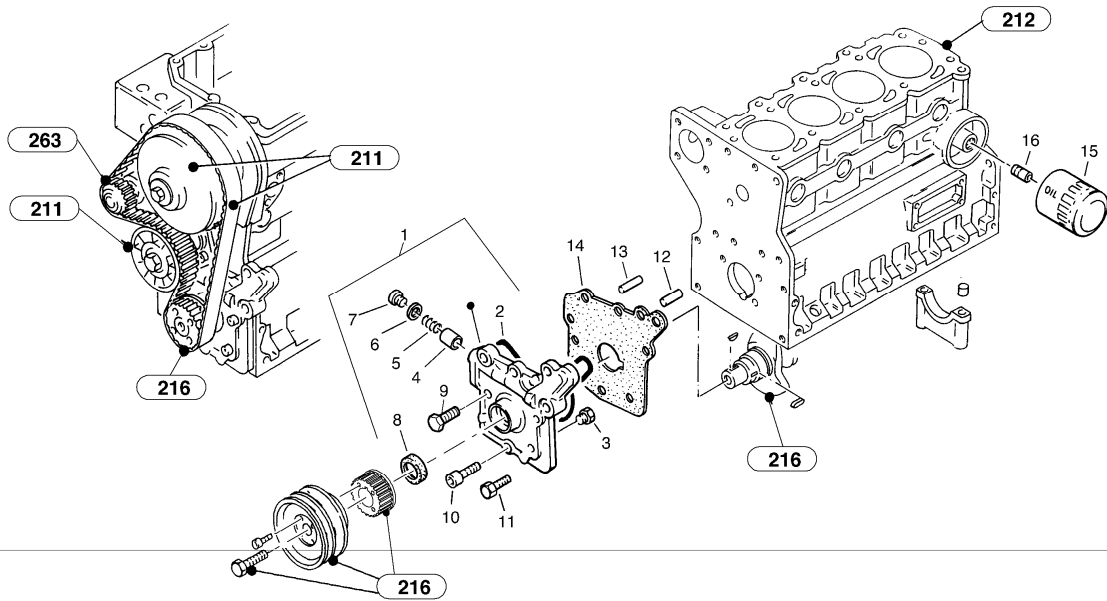


Volvo Construction
Equipment
1007542

Pos	Part	Q1	Q2	Q3	Q4	Q5	PS	Kit	Description	Option(s)	Remark
1	ZM2814025	1							Engine, cpl.		
1A	ZM2900778	1					SS	K	Gasket set, cpl.		
2	ZM2803419	1							Engine Member		
3	ZM7096569	4					OP		Screw		M12x60
4	ZM2802169	1							Buffer		
5	VOE983251	2							Hexagon screw		M10x25
6	VOE949523	2							Washer		10,5
7	ZM7098002	2							Nut		M10
8	VOE970978	1							Hexagon screw		M12x70
9	ZM2803420	1							Engine Member		
10	ZM2803421	1							Engine Member		
11	VOE983251	8							Hexagon screw		M10x25
12	ZM2802169	2							Buffer		
13	VOE983251	4							Hexagon screw		M10x25
14	VOE949523	4							Washer		10,5
15	ZM7098002	4							Nut		M10
16	VOE970978	2							Hexagon screw		M12x70
17	VOE979019	2							Hexagon nut		M12
18	ZM2803424	1							Bearing Bracket		
19	ZM7096650	3							Screw		M12x20

20	VOE13955897	3						Washer		B13
----	-------------	---	--	--	--	--	--	--------	--	-----

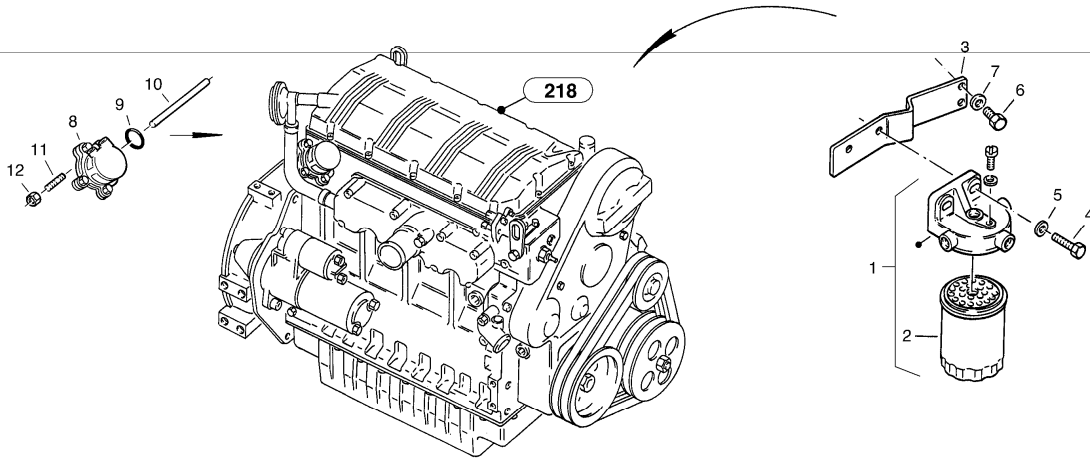
Date: 2013/11/5	Image id: 1008251	Catalogue: 07506	Model: ZL302C
Brand: Volvo	Serial: 2404001-2404999	Group/Section: 220/100	Title: Oil pump, oil filter



Volvo Construction
Equipment
1008251

Pos	Part	Q1	Q2	Q3	Q4	Q5	PS	Kit	Description	Option(s)	Remark
1	ZM2900796	1					SS		Oil Pump		-2409028
1	ZM2909826	1							Oil Pump		2409029-
2	ZM2900800	1							•Gasket		-2409028
2	ZM2909857	1							•O-ring		2409029-
3	ZM2900802	3					OP		•Screw		-2409028
4	ZM2900797	1							•Piston		
5	ZM2900798	1							•Spring		
6	ZM2900787	1							•Seal		
7	ZM2900799	1							•Plug		
8	ZM2900801	1							•Seal		
9	ZM2901009	2							Screw		2409029-
10	ZM2900805	1							Screw		
11	ZM2900806	6					OP		Screw		
12	ZM2900794	2							Pin		-2409028
13	ZM2900804	1							Pin		-2409028
14	VOE15061968	1							Gasket		(ZM2900803)
15	ZM2900776	1							Filter		
16	ZM2900808	1							Threaded part		

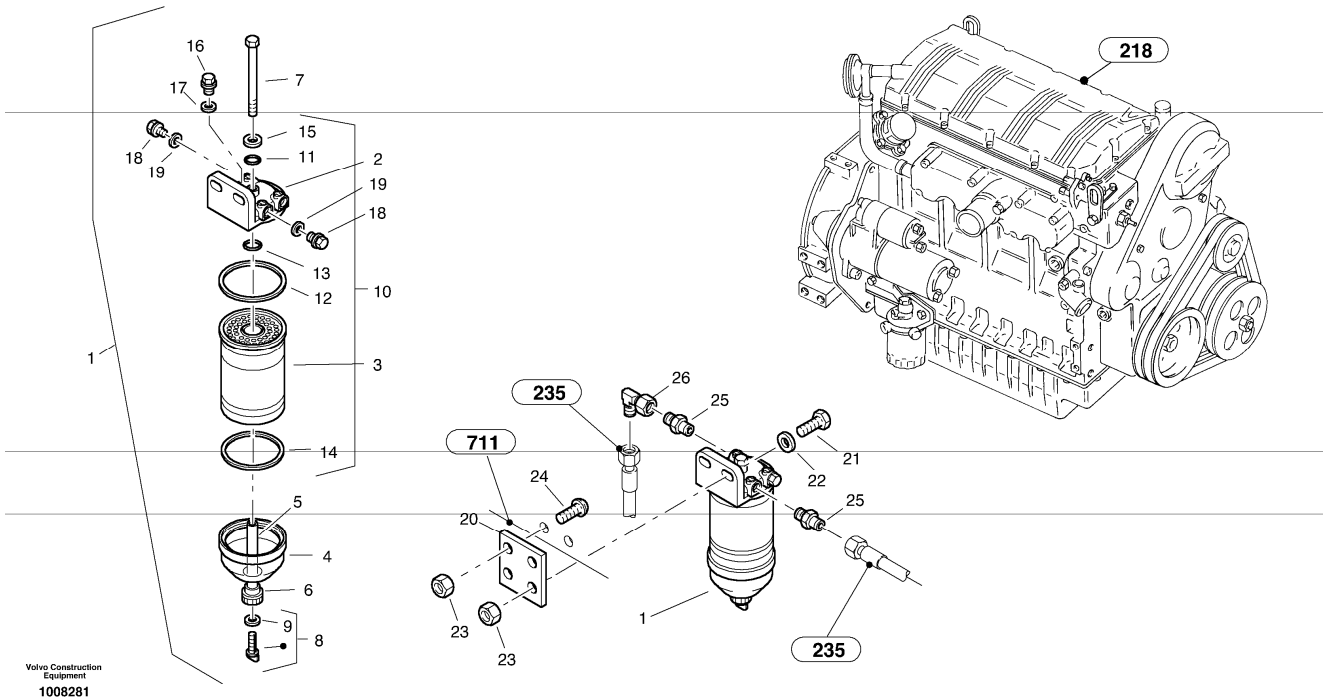
Date: 2013/11/5	Image id: 1008276	Catalogue: 07506	Model: ZL302C
Brand: Volvo	Serial: 2404001-2404999	Group/Section: 233/100	Title: Fuel filter - Feed pump



Volvo Construction
Equipment
1008276

Pos	Part	Q1	Q2	Q3	Q4	Q5	PS	Kit	Description	Option(s)	Remark
1	ZM2900919	1					SS		Bracket		
2	ZM2900777	1							•Filter		
3	ZM2900924	1							Attaching Plate		
4	ZM2900914	2							Screw		
5	ZM2900922	2							Washer		
6	ZM2900806	2					OP		Screw		
7	ZM2900923	2							Washer		
8	ZM2904509	1							Feed pump		-2409028
8	ZM2909830	1					SS		Fuel pump		2409029-
9	ZM2900932	1							O-ring		
10	ZM2904511	1							Tappet		
11	ZM2900930	2							Screw		
12	ZM2900929	2							Nut		

Date: 2013/11/5	Image id: 1008281	Catalogue: 07506	Model: ZL302C
Brand: Volvo	Serial: 2404001-2404999	Group/Section: 233/200	Title: Filter - Water separator - Lucas version



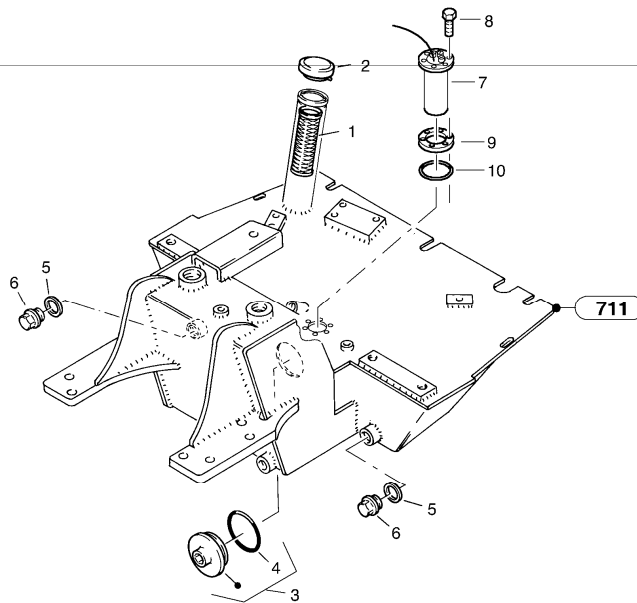
Q1-Q5	Option	Option description	
Q1 2407035-			See footnote 2059)

Pos	Part	Q1	Q2	Q3	Q4	Q5	PS	Kit	Description	Option(s)	Remark
1	ZM2807872	1							Fuel filter		SB 10.107
2	ZM2905307	1					SS		•Filter head		
3	ZM2905298	1							•Filter cartridge		
4	ZM2905299	1							•Sight glass		
5	ZM2905300	1							•Knurled head screw		
6	VOE7242081	1							•Washer		(ZM2905301)
7	ZM2905302	1							•Screw		
8	VOE242595	1							•Plug		(ZM2905304)
9	VOE7242081	1							•Washer		(ZM2905301)
10	ZM2905306	1						K	•Gasket set, cpl.		
11	ZM2905308	1							••O-ring		
12	ZM2905309	1							••Gasket		
13	ZM2905310	1							••O-ring		
14	ZM2905311	1							••Gasket		
15	ZM2905312	1							••Washer		
16	ZM2905313	1							•Screw		
17	ZM2164940	1							•Seal		A10x14

18	ZM7099404	2							•Lock Plug		AM14x1,5
19	ZM2905314	2							•Seal		
20	ZM2814131	1							Retainer		
21	VOE983252	2							Hexagon screw		M10x30
22	VOE976945	2							Washer		B10,5
23	VOE983304	4							Hexagon nut		M10
24	ZM2810334	2							Screw		
25	VOE11306928	2							Stud		L10MB
26	VOE13945357	1							Elbow nipple		L10

2059) Also by machine no. 2405058

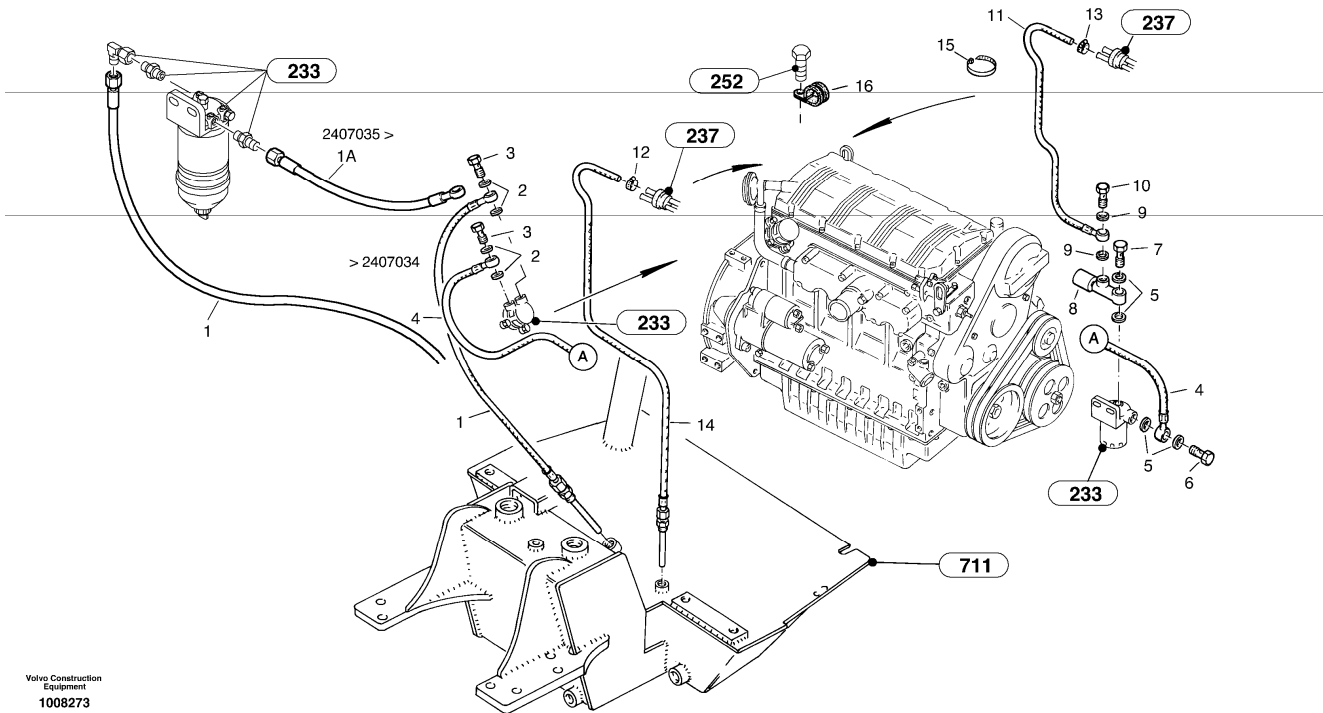
Date: 2013/11/5	Image id: 1008268	Catalogue: 07506	Model: ZL302C
Brand: Volvo	Serial: 2404001-2404999	Group/Section: 234/100	Title: Fuel tank



Volvo Construction
Equipment
1008268

Pos	Part	Q1	Q2	Q3	Q4	Q5	PS	Kit	Description	Option(s)	Remark
1	ZM2800961	1							Screen		
2	ZM2800960	1							Filler cap		
3	ZM2197270	1							Screw plug		
4	ZM2184310	1							•O-ring		86x3
5	ZM8099561	2							Seal		A26x31
6	ZM7099414	2							Screw plug		AM26x1,5
7	ZM2805648	1							Telescopic pipe transmitt		
8	VOE955228	6							Hexagon screw		M4x16, SB 10.099 -2407058 / 2407058-
8	ZM7094795	6							Screw		M4x25, SB 10.099 2405043- / -2407057
9	ZM2811332	1							Spacer Ring		2405043- / -2407057 SB 10.099
10	ZM5180010	1							O-ring		69,45x3,53, SB 10.099 2405043- / -2407057

Date: 2013/11/5	Image id: 1008273	Catalogue: 07506	Model: ZL302C
Brand: Volvo	Serial: 2404001-2404999	Group/Section: 235/100	Title: Fuel pipes



Volvo Construction
Equipment
1008273

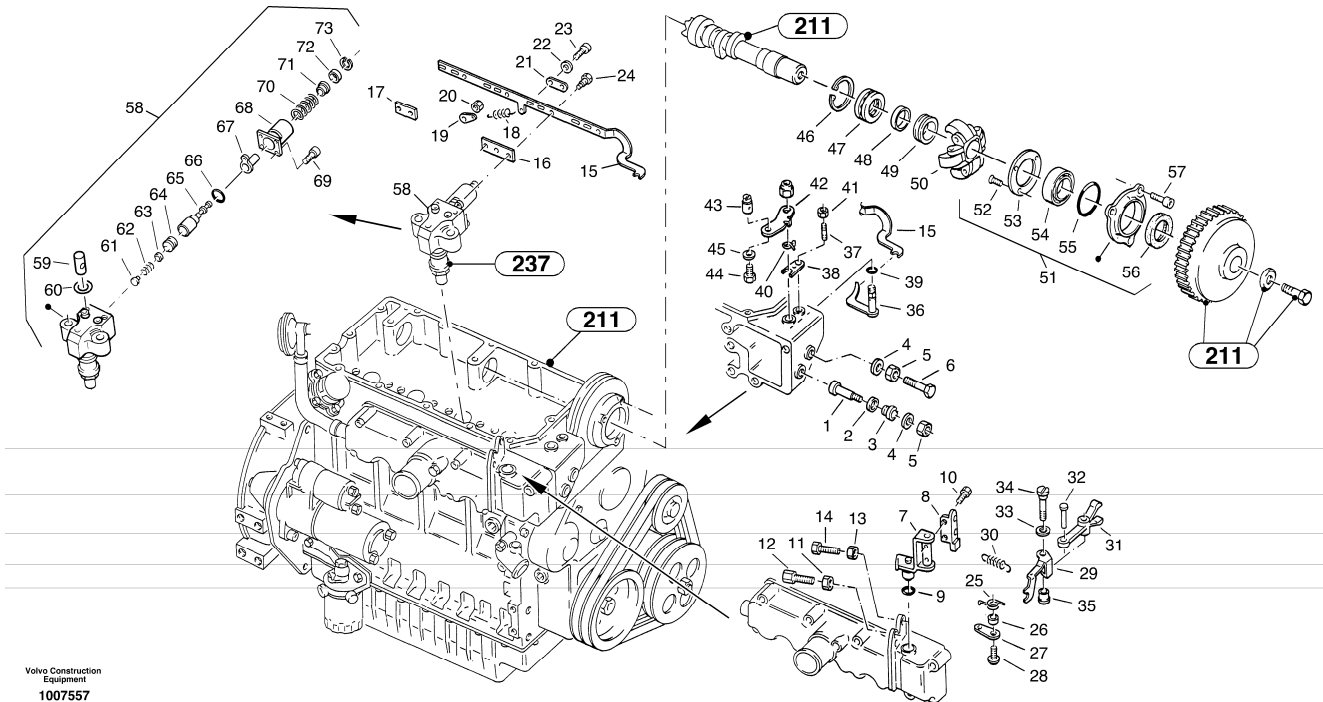
Pos	Part	Q1	Q2	Q3	Q4	Q5	PS	Kit	Description	Option(s)	Remark
1	ZM2807823	1							Suction pipe		See footnote 2058) -2407034
1	ZM2813351	1							Suction pipe		See footnote 2059) 2407035-
1A	ZM2813352	1							Fuel hose		See footnote 2059) 2407035-
2	VOE13947281	4							Gasket		A10x13,5
3	VOE20460289	2							Hollow screw		10
4	ZM2900926	1							Hose		
5	VOE13947621	4							Plane gasket		A14x18
6	ZM7090960	1					OP		Bolt		10
7	ZM2900913	1							Screw		
8	ZM2900917	1							Solenoid valve		
9	VOE13947281	2							Gasket		A10x13,5
10	VOE20460289	1							Hollow screw		6
11	ZM2900925	1							Fuel hose		-2409028
11	ZM2909833	1							Fuel hose		2409029-
12	ZM2804157	1							Clamp		B1 - 10x7
13	ZM2060781	1							Clip		AL8-16
14	ZM2805833	1							Fuel hose		
15	ZM2193590	4							Cable clip		

16	ZM4343093	1					SS		Clamp		
----	-----------	---	--	--	--	--	----	--	-------	--	--

2058) Not by machine no. 2405058

2059) Also by machine no. 2405058

Date: 2013/11/5	Image id: 1007557	Catalogue: 07506	Model: ZL302C
Brand: Volvo	Serial: 2404001-2404999	Group/Section: 236/100	Title: Speed adjustment - Fuel injection pump

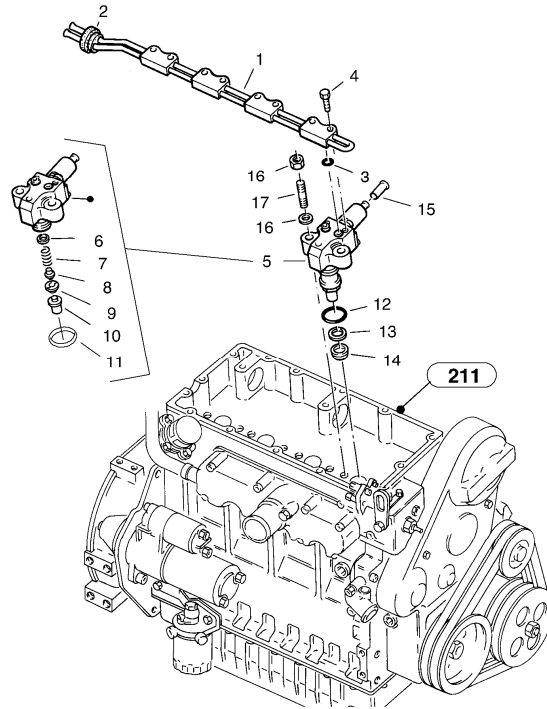


Pos	Part	Q1	Q2	Q3	Q4	Q5	PS	Kit	Description	Option(s)	Remark
1	ZM2901019	1							Adjusting screw		-2409028
1	ZM2909841	1							Adjusting screw		2409029-
2	ZM2901018	1							Seal		
3	ZM2901055	1					OP		Nut		-2409028
4	ZM2901054	2							Seal		
5	ZM2901053	2							Nut		
6	ZM2901025	1							Screw		
7	ZM2901021	1							Lever		-2409028
7	ZM2909835	1							Lever		2409029-
8	ZM2901020	1							Retainer		-2409028
9	ZM2901037	1							O-ring		
10	ZM2901036	1							Screw		-2409028
11	ZM2901022	1							Nut		-2409028
12	ZM2901023	1							Adjusting Screw		-2409028
13	ZM2901024	1							Adjusting screw		
14	ZM2901025	1							Screw		
15	ZM2909843	1							Control Shaft		
16	ZM2901027	2							Cover plate		
17	ZM2901028	2							Cover plate		
18	ZM2901031	1							Tension Spring		-2409028

18	ZM2909844	1							Tension Spring		2409029-
19	ZM2901033	1							Cover plate		-2409028
19	ZM2909845	1							Cover plate		2409029-
20	ZM2909840	1							Nut		(ZM2901034)
21	ZM2901035	2							Cover plate		
22	ZM2901029	6							Washer		
23	ZM2901030	6							Screw		
24	ZM2901042	4							Screw		
25	ZM2901043	1							Spring		
26	ZM2901044	1							Sleeve		
27	ZM2901045	1							Cover Plate		
28	ZM2901056	1							Screw		
29	ZM2901046	1							Lever		-2409028
29	ZM2909846	1							Lever		2409029-
30	ZM2901038	1							Spring		
31	ZM2901048	1							Lever		
32	ZM2901047	1							Pin		
33	ZM2901039	1							Seal		
34	ZM2901040	1							Screw		
35	ZM2901057	1							Sleeve		-2409028
35	ZM2909847	1							Sleeve		2409029-
36	ZM2901058	1							Lever		
37	ZM2901050	1							Stud		
38	ZM2901051	1							Clip (strap)		
39	ZM2901049	1							O-ring		
40	ZM2901052	1					OP		Spring		
41	ZM2901024	1							Adjusting screw		
42	ZM2901041	1							Lever		
43	ZM2901138	1							Nut		
44	ZM2901137	1							Screw		
45	ZM2901032	1							Washer		
46	ZM2900865	1							Safety ring		-2409028
47	ZM2900875	1							Ball Bearing		
48	ZM2900874	1							Sleeve		
49	ZM2900861	1					SS		Sleeve		
50	ZM2900873	1							Measuring element		
51	ZM2900867	1							Regulator Cover		
52	ZM2900802	3					OP		•Screw		
53	ZM2900871	1					OP		•Washer		
54	ZM2900869	1							•Ball Bearing		
55	ZM2900868	1							•O-ring		
56	ZM2900879	1							•Seal		
57	ZM2900830	3							Screw		
58	ZM2900948	4							Injector		-2409028
58	ZM2909829	4							Injector		2409029-
59	ZM2900940	1							•Valve		-2409028
59	ZM2909827	1							•Valve		2409029-

60	ZM2906008	4							•Seal		
61	ZM2900963	1							•Spring Disc		
62	ZM2900941	1							•Thrust Spring		
63	ZM2900964	1							•Seal		
64	ZM2900942	1							•Delivery Valve		
65	ZM2900943	1							•Plunger		-2409028
65	ZM2909828	1							•Plunger		2409029-
66	ZM2900965	1							•O-ring		
67	ZM2900966	1							•Dog		
68	ZM2900945	1							•Retainer		-2409028
69	ZM2900967	4							•Screw		
70	ZM2900946	1							•Pressure spring		
71	ZM2900968	1							•Spring Disc		
72	ZM2900947	1							•Tappet		
73	ZM2900969	1							•Safety ring		

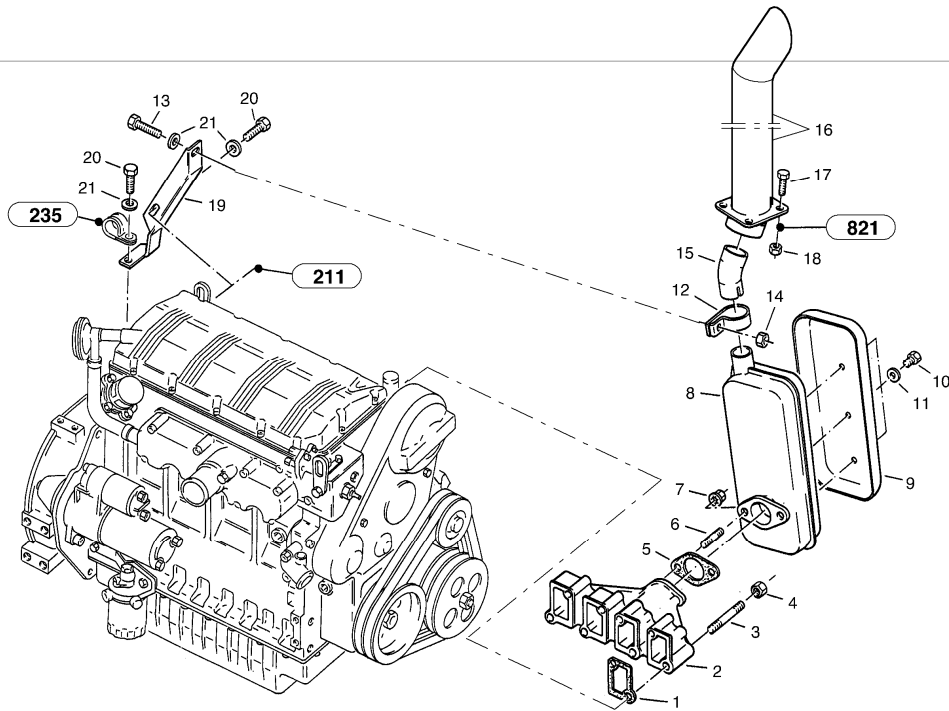
Date: 2013/11/5	Image id: 1008278	Catalogue: 07506	Model: ZL302C
Brand: Volvo	Serial: 2404001-2404999	Group/Section: 237/100	Title: Injection pipes, Injection valve



Volvo Construction
Equipment
1008278

Pos	Part	Q1	Q2	Q3	Q4	Q5	PS	Kit	Description	Option(s)	Remark
1	ZM2900866	1							Fuel pipe		
2	ZM2900928	1							Rubber spout		
3	ZM2900934	8							O-ring		
4	ZM2900927	8							Screw		
5	ZM2900948	4							Injector		
6	ZM2900949	1							•Spacer		2,00 mm
6	ZM2900950	REQ							•Spacer		1,90 mm
6	ZM2900951	REQ							•Spacer		1,80 mm
6	ZM2900952	REQ							•Spacer		1,70 mm
6	ZM2900953	REQ							•Spacer		1,60 mm
6	ZM2900954	REQ							•Spacer		1,50 mm
6	ZM2900955	REQ							•Spacer		1,40 mm
6	ZM2900956	REQ							•Spacer		1,30 mm
6	ZM2900957	REQ							•Spacer		1,20 mm
6	ZM2900958	REQ							•Spacer		1,10 mm
6	ZM2900959	REQ							•Spacer		1,00 mm
7	ZM2900960	1							•Thrust Spring		
8	ZM2900961	1							•Tappet		
9	ZM2900962	1							•Washer		
10	ZM2900973	1							•Nozzle		SB 10.080

Date: 2013/11/5	Image id: 1008244	Catalogue: 07506	Model: ZL302C
Brand: Volvo	Serial: 2404001-2404999	Group/Section: 252/100	Title: Exhaust system

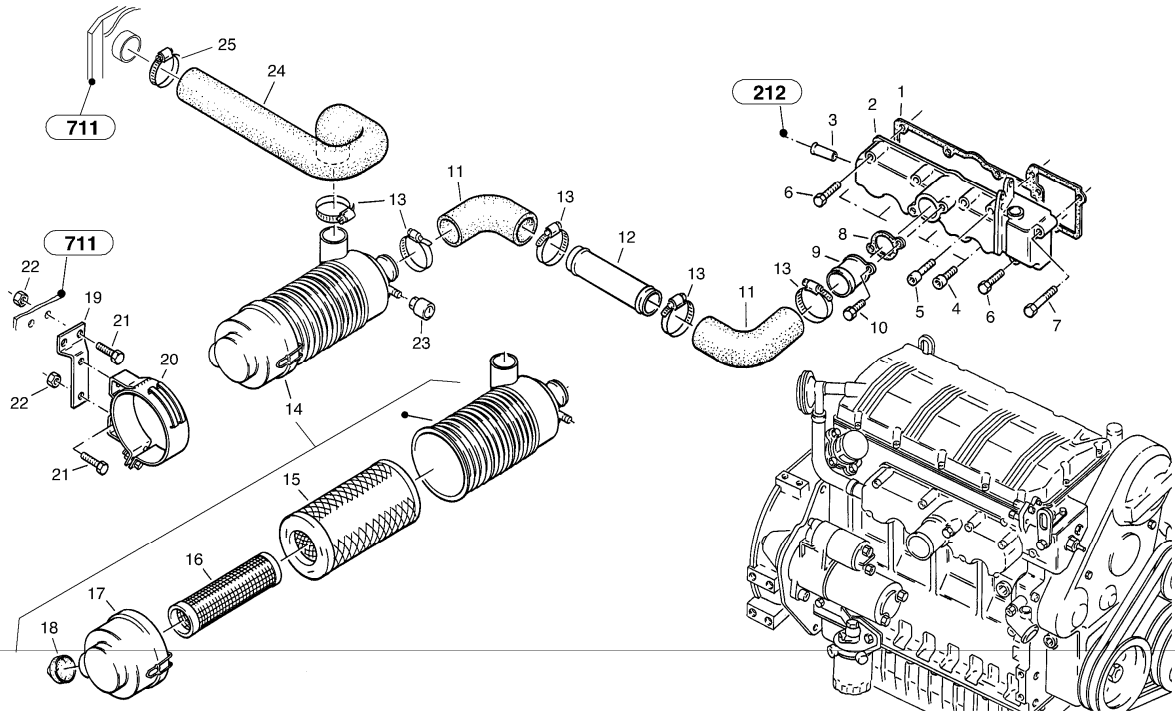


Volvo Construction
Equipment
1008244

Pos	Part	Q1	Q2	Q3	Q4	Q5	PS	Kit	Description	Option(s)	Remark
1	ZM2901014	4							Gasket		
2	ZM2901013	1							Exhaust manifold		
3	ZM7097691	8							Stud		M8x55
4	ZM7098010	8							Nut		M8
5	ZM2901077	1							Gasket		
6	ZM8097404	2							Stud		M8x30
7	ZM4334180	2							Nut		M8
8	ZM2803769	1							Muffler		
9	ZM2901076	1							Protecting Screen		
10	ZM7095440	3							Screw		M8x10
11	VOE13955894	3							Washer		B8,4
12	ZM2802165	1							Clip		42,3
13	VOE14370277	1							Hexagon screw		M8x40
14	ZM7098010	1							Nut		M8
15	ZM2803766	1							Exhaust manifold		
16	ZM2803715	1							Exhaust Pipe		
17	VOE983242	4							Hexagon screw		M8x20
18	ZM7098010	4							Nut		M8
19	ZM2805326	1							Support		
20	VOE983242	2							Hexagon screw		M8x25

21	VOE13955894	4						Washer		B8,4
----	-------------	---	--	--	--	--	--	--------	--	------

Date: 2013/11/5	Image id: 1008245	Catalogue: 07506	Model: ZL302C
Brand: Volvo	Serial: 2404001-2404999	Group/Section: 256/100	Title: Suction system, filter

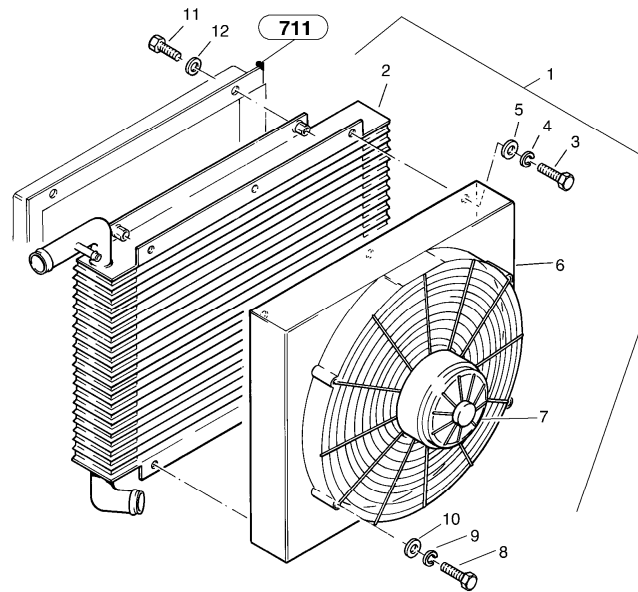


Volvo Construction
Equipment
1008245

Pos	Part	Q1	Q2	Q3	Q4	Q5	PS	Kit	Description	Option(s)	Remark
1	ZM2901016	1							Gasket		
2	ZM2901015	1							Intake pipe		
3	ZM2901017	1							Pipe		
4	ZM2900805	4							Screw		
5	ZM2901002	1					OP		Screw		
6	ZM2909836	5							Screw		
7	ZM2909837	1							Screw		
8	ZM2901075	1							Connection flange		
9	ZM2909838	1							Connection flange		(ZM2901074)-2409028
9	ZM2909838	1							Connection flange		2409029-
10	ZM2900806	2					OP		Screw		
11	ZM2803350	2							Hose		
12	ZM2805622	1							Pipe		
13	ZM2060784	5							Clip		AS 50-70 C
14	ZM2801750	1							Air filter		
15	VOE11716462	1							•Filter		(ZM 2903254)
16	ZM2903255	1							•Safety cartridge		
17	ZM2903259	1							•Cover		
18	ZM2903260	1							•Valve		
19	ZM2803475	1							Holder		

20	ZM2801751	1							Clip		
21	VOE983242	4							Hexagon screw		M8x16
22	ZM7098010	4							Nut		M8
23	ZM2805644	1							Indicator		
24	ZM2804298	1							Hose		
25	ZM2060784	1							Clip		AS 50-70 CB

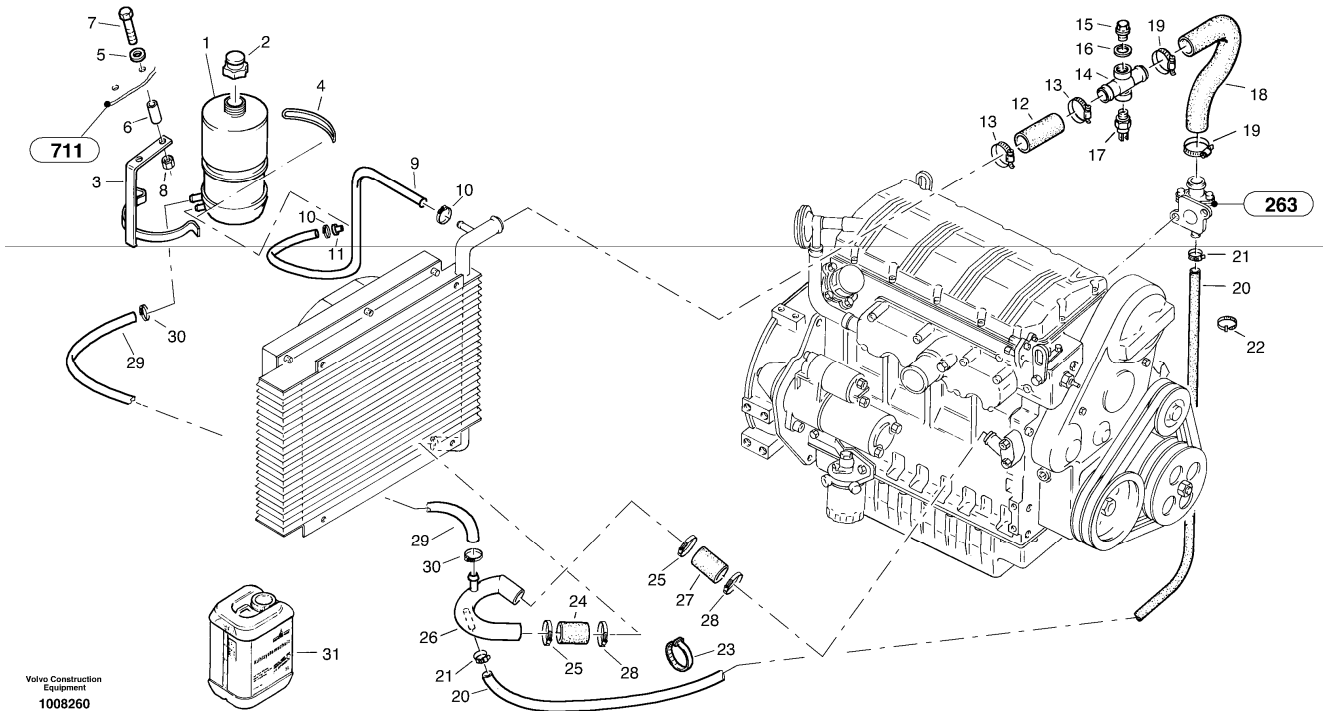
Date: 2013/11/5	Image id: 1008258	Catalogue: 07506	Model: ZL302C
Brand: Volvo	Serial: 2404001-2404999	Group/Section: 261/100	Title: Cooler with attaching parts



Volvo Construction
Equipment
1008258

Pos	Part	Q1	Q2	Q3	Q4	Q5	PS	Kit	Description	Option(s)	Remark
1	ZM2807612	1							Water cooler		
2	ZM2802147	1							•Water cooler		
3	VOE983241	6							•Hexagon screw		M8x16
4	VOE20460271	6							•Lock washer		(ZM7098323)A8
5	VOE13955894	6							•Washer		B8,4
6	ZM2905197	1					OP		•Fan hood		
7	ZM2905196	1							•Fan		
8	VOE13955247	4							•Screw		M5x20
9	ZM7098327	4							•Spring washer		A5
10	VOE13940090	4							•Washer		A5,3
11	VOE983242	4							Hexagon screw		M8x20
12	VOE11307560	4							Washer		(ZM7099092)8,4

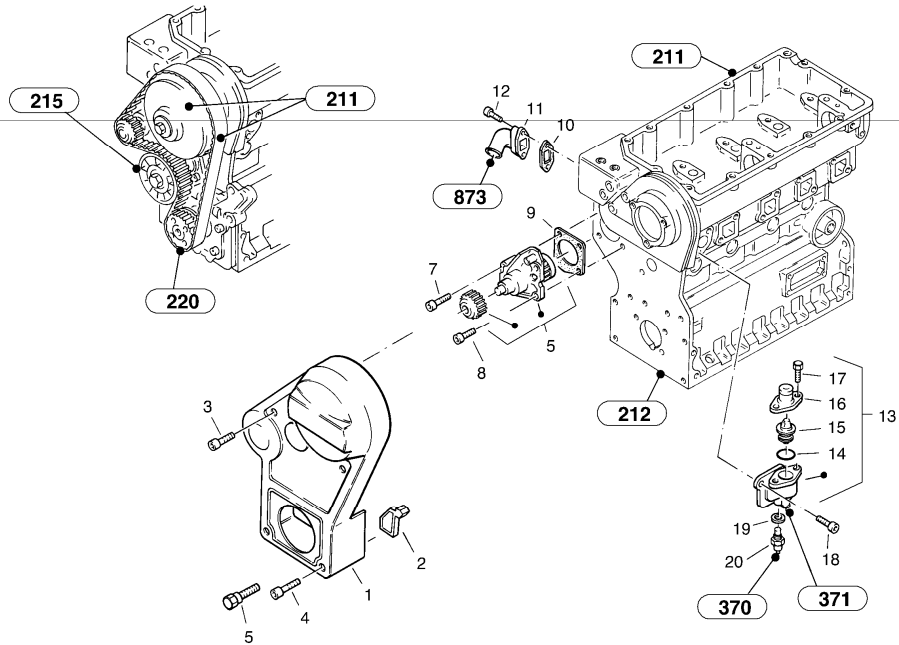
Date: 2013/11/5	Image id: 1008260	Catalogue: 07506	Model: ZL302C
Brand: Volvo	Serial: 2404001-2404999	Group/Section: 261/200	Title: Cooling pipes



Pos	Part	Q1	Q2	Q3	Q4	Q5	PS	Kit	Description	Option(s)	Remark
1	ZM2807605	1							Expansion tank		
2	ZM2807607	1							Radiator cap		
3	ZM2808117	1							Holder		
4	ZM2807606	1							Rubber bande		
5	ZM4333068	2							Washer		B6,4
6	ZM2196480	2							Pipe		
7	VOE955278	2							Hexagon screw		M6x50
8	ZM7098000	2							Nut		M6
9	ZM4383309	1							Rubber hose		(ZM2808120)L 700MM
10	VOE943470	2							Hose clamp		
11	ZM2808017	1							Shade		
12	ZM2805484	1							Hose		L = 80MM
13	VOE943475	2							Hose clamp		
14	ZM2807628	1							Intermediate piece		
15	ZM7099411	1							Screw plug		M22x1,5
16	ZM3401584	1							Seal		
17	ZM2802022	1							Regulator		
18	ZM2811476	1							Hose		
19	VOE943475	2							Hose clamp		

20	ZM2803830	1							Hose		(ZM2805487)
21	ZM2060780	2							Hose Clamp		AL12-20
22	ZM4375522	1							Cable clip		
23	VOE4881438	1							Cable tie		
24	ZM2805483	1					OP		Hose		-2405051 L = 110MM
25	ZM2806382	2							Hose Clamp		-2405051
26	ZM2811475	1							Hose		
27	ZM2805484	1							Hose		-2405051
28	VOE943475	2							Hose clamp		
29	ZM2808064	1							Hose		
30	ZM2060780	2							Hose Clamp		AL12-20
31	ZM2903057	REQ							Coolant		

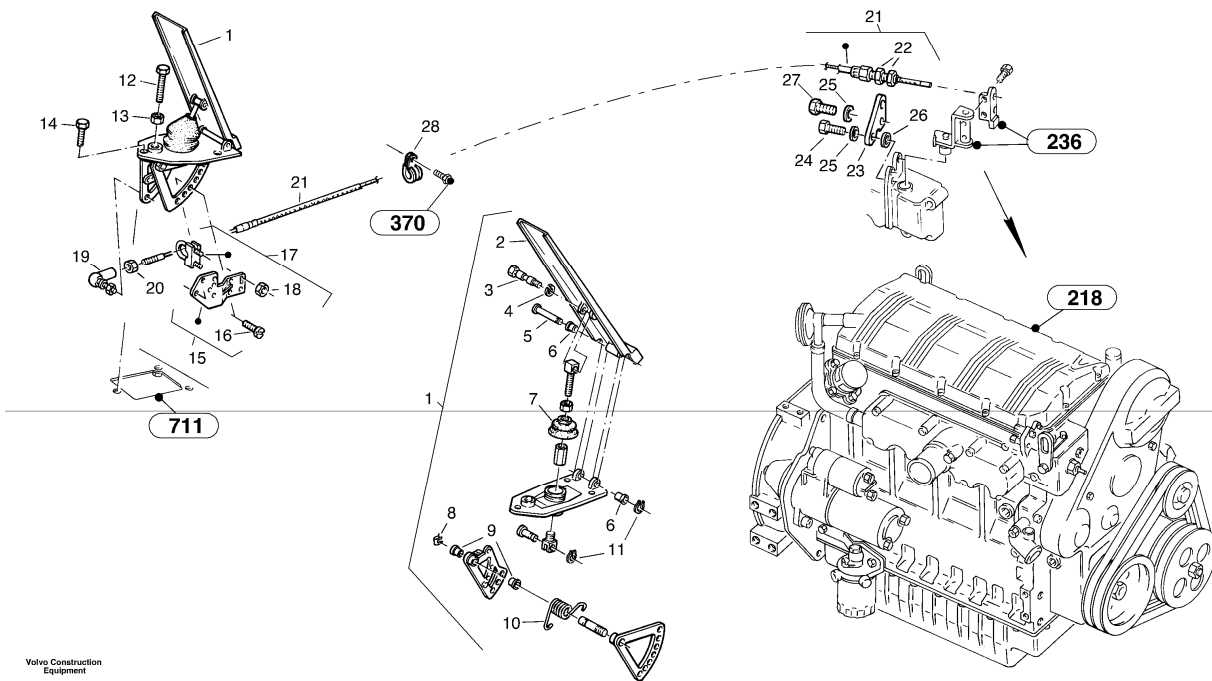
Date: 2013/11/5	Image id: 1008279	Catalogue: 07506	Model: ZL302C
Brand: Volvo	Serial: 2404001-2404999	Group/Section: 262/100	Title: Water pump, Thermostat



Volvo Construction
Equipment
1008279

Pos	Part	Q1	Q2	Q3	Q4	Q5	PS	Kit	Description	Option(s)	Remark
1	VOE15024755	1							Guard		(ZM2900982)
2	ZM2901236	1							Profiled joint		
3	ZM2900981	1							Screw		
4	ZM2900980	4							Screw		
5	ZM2901009	2							Screw		
6	ZM2905966	1							Water pump		SB 10.089
7	ZM2901002	2					OP		Screw		
8	ZM2901003	2					OP		Screw		
9	ZM2900992	1							Gasket		
10	VOE15199865	1							Gasket		(ZM2900991)
11	ZM2900997	1							Inlet Pipe		
12	ZM2900996	2					OP		Screw		
13	ZM2901008	1							Thermostat		
14	ZM2901007	1							•O-ring		
15	ZM2901006	1							•Thermostat		
16	ZM2901005	1							•Flange		
17	ZM2900806	2					OP		•Screw		
18	ZM2900805	2							Screw		
19	ZM2901273	1							Sealing ring		
20	ZM2901274	1							Thermo Switch		

Date: 2013/11/5	Image id: 1007550	Catalogue: 07506	Model: ZL302C
Brand: Volvo	Serial: 2404001-2404999	Group/Section: 271/100	Title: Speed control



Volvo Construction
Equipment
1007550

Pos	Part	Q1	Q2	Q3	Q4	Q5	PS	Kit	Description	Option(s)	Remark
1	ZM4377101	1							Pedal, cpl.		
2	ZM2276990	1							•Plate		
3	ZM2277000	1							•Bolt		
4	VOE20460271	1							•Lock washer		(ZM7098323)A8
5	ZM2277050	1							•Bolt		
6	ZM2284352	2							•Bush		
7	ZM2262600	1							•Boot		
8	ZM2277020	1							•Safety		
9	ZM2277010	2							•Bush		
10	ZM2277030	1							•Spring		
11	ZM7094870	2							•Safety		6x0,7
12	ZM5126006	1							Screw		M8x90
13	ZM7098010	1							Nut		M8
14	VOE1395272	3							Screw		M6x20
15	ZM4377096	1							Bearing		
16	ZM4331089	2							•Screw		M6x10

17	VOE11305476	1							Clamp		
18	VOE955780	2							•Hexagon nut		M5
19	VOE959079	1							Angle ball joint		AS10
20	ZM7098000	1							Nut		M6
21	ZM2802325	1							Rope wire		
22	ZM7098060	2							•Nut		BM10x1
23	ZM2803306	1							Retainer		
24	VOE13955272	2							Screw		M6x20
25	VOE955892	1							Washer		B6,4
26	ZM4333068	3							Washer		6,4
27	VOE955268	1							Hexagon screw		M6x10
28	VOE11306568	1							Clamp		(ZM4343098)

Thank you so much for reading.
Please click the “Buy Now!”
button below to download the
complete manual.



After you pay.

You can download the most
perfect and complete manual in
the world immediately.

Our support email:

ebooklibonline@outlook.com