

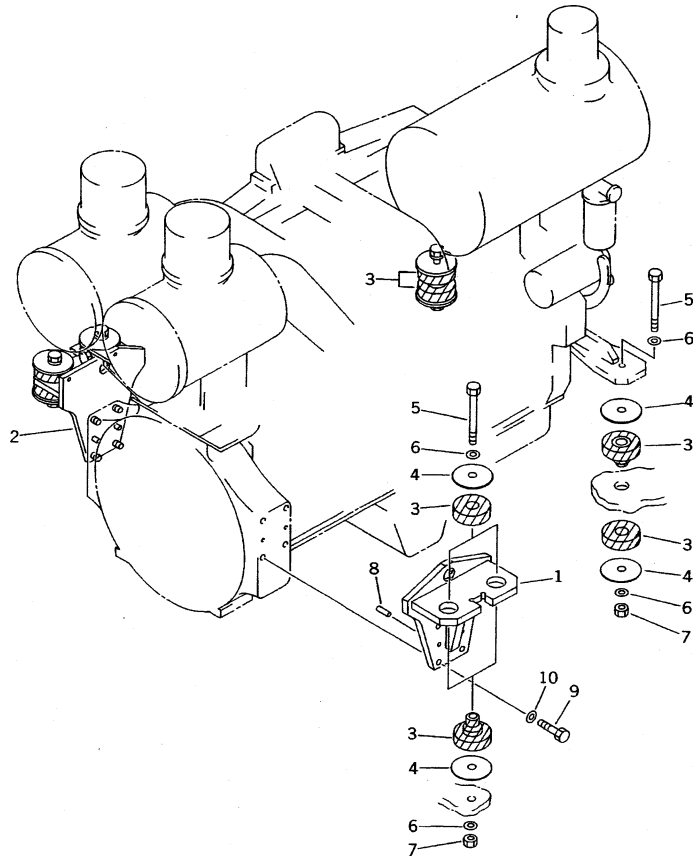
WA700-1 S/N 10001-UP (-50cent. Spec.)

WA700-1 S/N 10001-UP

Item	Part Name
	SA6D170-A-1Q-H S/N 13144-UP
10	ENGINE RELATED PARTS AND ELECTRICAL SYSTEM
20	TRANSMISSION
30	DRIVE SHAFT?DIFFERENTIAL AND WHEELS
40	STEERING AND CONTROL SYSTEM
50	FRAME AND GUARD
60	WORK EQUIPMENT CONTROL SYSTEM
70	WORK EQUIPMENT
90	MARK PLATE?TOOL AND KIT

**WA700-1 S/N 10001-UP (-50cent. Spec.)
ENGINE RELATED PARTS AND ELECTRICAL SYSTEM**

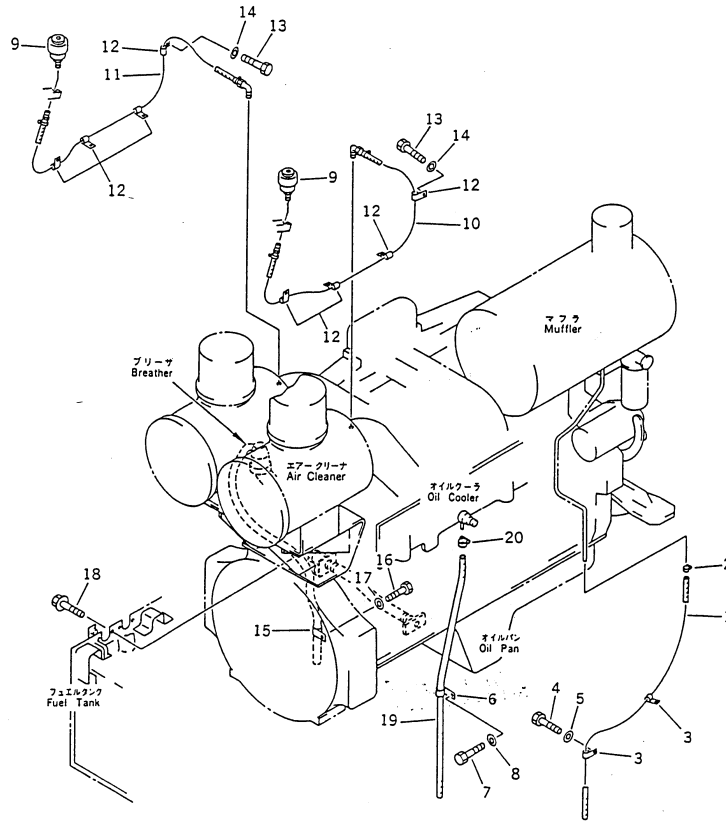
Item	Part Name	Qty
10	ENGINE MOUNTING PARTS	1
20	ENGINE RELATED PARTS	1
30	ACCELERATOR PEDAL AND LINKAGE (1/3)	1
40	ACCELERATOR PEDAL AND LINKAGE (2/3)	1
50	ACCELERATOR PEDAL AND LINKAGE (3/3)	1
60	RADIATOR	1
70	RADIATOR COVER	1
80	RADIATOR PIPING	1
90	OIL COOLER	1
100	OIL COOLER AND WATER PIPING	1
110	RADIATOR SHUTTER (1/2)	1
120	RADIATOR SHUTTER (2/2)	1
130	FUEL TANK	1
140	FUEL PIPING	1
150	BATTERY AND BATTERY BOX	1
160	INSTRUMENT PANEL (WITH EMERGENCY STEERING)	1
170	ELECTRICAL SYSTEM (CONSOLE BOX?L.H.)	1
180	ELECTRICAL SYSTEM (CONSOLE BOX?R.H.)	1
190	ELECTRICAL SYSTEM (A.P.S. SWITCH CONTROLLER)	1
200	ELECTRICAL SYSTEM (FRONT LAMP)	1
210	ELECTRICAL SYSTEM (FRONT LINE)	1
220	ELECTRICAL SYSTEM (FLOOR LINE)	1
230	ELECTRICAL SYSTEM (ENGINE LINE)	1
240	ELECTRICAL SYSTEM (REAR FRAME LINE)	1
250	ELECTRICAL SYSTEM (BATTERY LINE)	1
260	ELECTRICAL SYSTEM (REAR LAMP)	1
270	ELECTRICAL SYSTEM (WORKING LAMP)	1
280	SENSOR (FOR MONITORING SYSTEM)	1
290	COLD DISTRICT (FRONT)	1
300	COLD DISTRICT (REAR)	1



WA700-1 S/N 10001-UP (-50cent. Spec.)

ENGINE MOUNTING PARTS

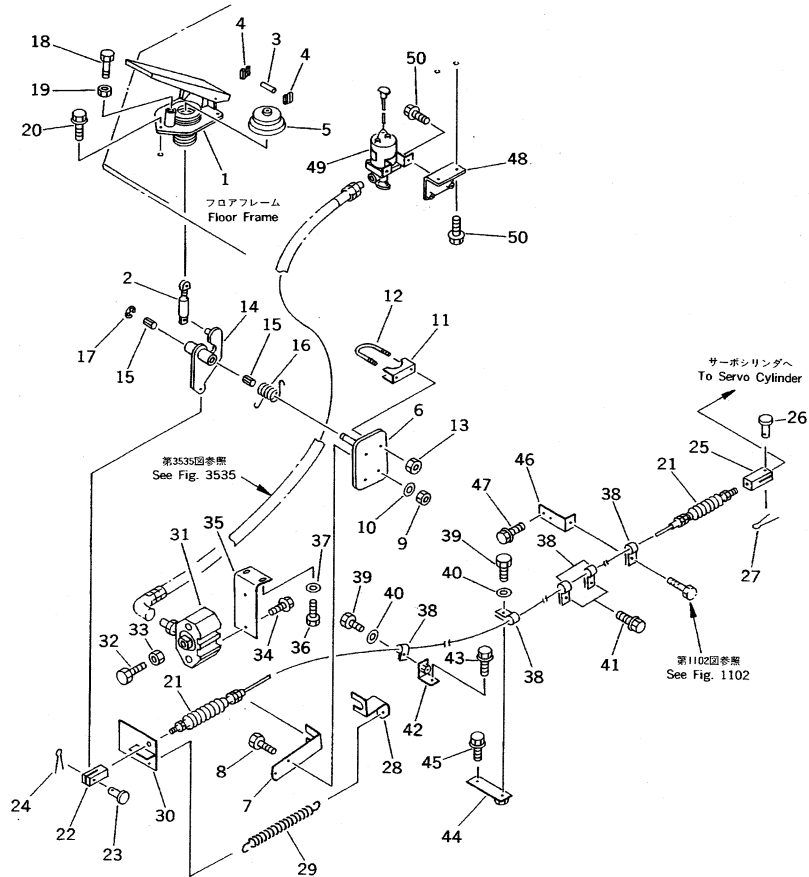
Item	Part No.	Part Name	Qty	Serial No.
1	428-01-11111	BRACKET,L.H.	1	10001-
2	428-01-11124	BRACKET,R.H.	1	10001-
3	426-Z82-1210	CUSHION ASS'Y	6	10001-
4	424-01-11220	WASHER	12	10001-
5	01011-32460	BOLT	6	10001-
6	01643-32460	WASHER	12	10001-
7	427-01-11140	NUT	6	10001-
8	04020-01434	PIN	4	10001-
9	01016-31850	BOLT	8	10001-
10	01643-31845	WASHER	8	10001-



WA700-1 S/N 10001-UP (-50cent. Spec.)

ENGINE RELATED PARTS

Item	Part No.	Part Name	Qty	Serial No.
1	09483-10312	HOSE	1	10001-
2	07281-00197	CLAMP	1	10001-
3	08036-21814	CLIP	2	10001-
4	01010-51020	BOLT	2	10001-
5	01643-31032	WASHER	2	10001-
6	08036-22514	CLIP	1	10001-
7	01010-51020	BOLT	1	10001-
8	01643-31032	WASHER	1	10001-
9	08670-02001	INDICATOR	2	10001-
10	08671-50170	HOSE	1	10001-
11	08671-50180	HOSE	1	10001-
12	08036-21414	CLIP	8	10001-
13	01010-51016	BOLT	8	10001-
14	01643-31032	WASHER	8	10001-
15	08036-23014	CLIP	2	10001-
16	01010-51016	BOLT	2	10001-
17	01643-31032	WASHER	2	10001-
18	01435-01030	BOLT	2	10001-
19	09483-10514	HOSE	1	10001-
20	07281-00259	CLAMP	1	10001-



WA700-1 S/N 10001-UP (-50cent. Spec.)

ACCELERATOR PEDAL AND LINKAGE (1/3)

CYLINDER)

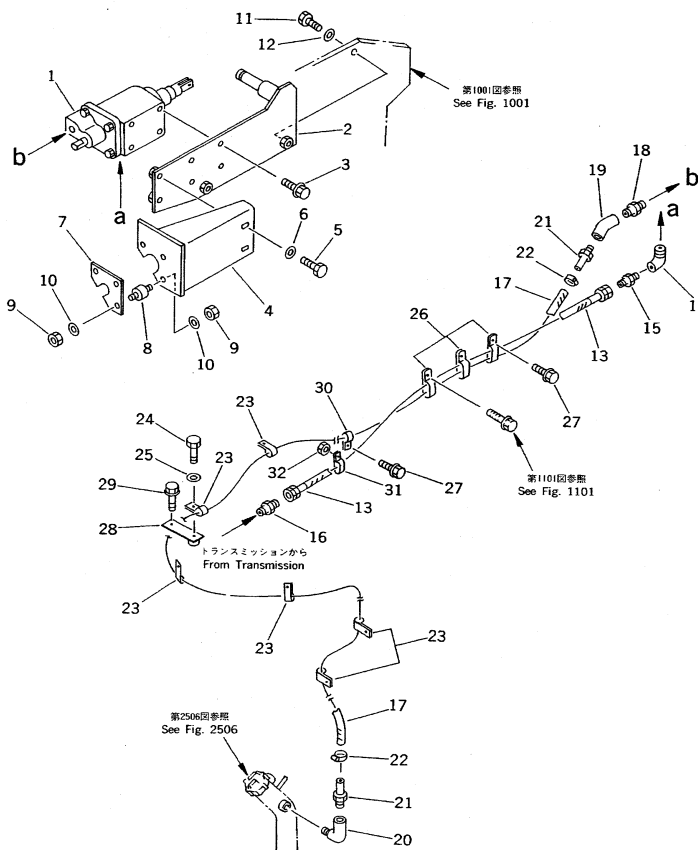
Item	Part No.	Part Name	Qty	Serial No.
1	417-43-11200	PEDAL ASS'Y	1	10001-
	417-43-11210	・ PEDAL AND BODY A.	1	10001-
2	417-43-11310	・ ROD	1	10001-
3	417-43-11320	・ PIN	1	10001-
4	417-43-11330	・ CLIP	2	10001-
5	417-43-11360	・ BOOT	1	10001-
6	417-43-11220	・ PLATE	1	10001-
7	417-43-11340	・ SUPPORT	1	10001-
8	01010-50616	・ BOLT	2	10001-
9	417-43-11350	・ NUT	2	10001-
10	01643-30623	・ WASHER	1	10001-
11	417-43-11290	・ SUPPORT	1	10001-
12	417-43-11270	・ U-BOLT	1	10001-
13	417-43-11280	・ NUT	2	10001-
14	417-43-11230	・ LEVER	1	10001-
15	417-43-11250	・ BEARING	2	10001-
16	417-43-11240	・ SPRING	1	10001-
17	417-43-11260	・ CLIP	1	10001-
18	01010-50860	・ BOLT	1	10001-
19	01580-10806	・ NUT	1	10001-
20	01435-00620	BOLT	3	10001-
21	428-43-11610	CABLE	1	10001-
22	04210-20624	YOKE	1	10001-
23	04205-10620	PIN	1	10001-
24	04050-11612	PIN,COTTER	1	10001-
25	428-43-11250	YOKE	1	10001-
26	04205-10618	PIN	1	10001-
27	04050-11612	PIN,COTTER	1	10001-
28	428-43-11220	PLATE	1	10001-

WA700-1 S/N 10001-UP (-50cent. Spec.)

ACCELERATOR PEDAL AND LINKAGE (1/3)

CYLINDER)

Item	Part No.	Part Name	Qty	Serial No.
29	418-43-18240	SPRING	1	10001-
30	428-43-11230	PLATE	1	10001-
31	427-43-11241	AIR CYLINDER ASS'Y	1	10001-
32	01016-20520	BOLT	1	10001-
33	01580-10504	NUT	1	10001-
34	01435-00616	BOLT	2	10001-
35	428-43-11290	PLATE	1	10001-
36	01010-50616	BOLT	2	10001-
37	01643-30623	WASHER	2	10001-
38	08036-91214	CLIP	5	10001-
39	01010-51016	BOLT	2	10001-
40	01643-31032	WASHER	2	10001-
41	01435-01016	BOLT	2	10001-
42	42A-16-11210	PLATE	1	10001-
43	01435-01016	BOLT	1	10001-
44	419-06-12760	PLATE	1	10001-
45	01435-01016	BOLT	1	10001-
46	428-43-11310	BRACKET	1	10001-
47	01435-01016	BOLT	2	10001-



WA700-1 S/N 10001-UP (-50cent. Spec.)
ACCELERATOR PEDAL AND LINKAGE (2/3)

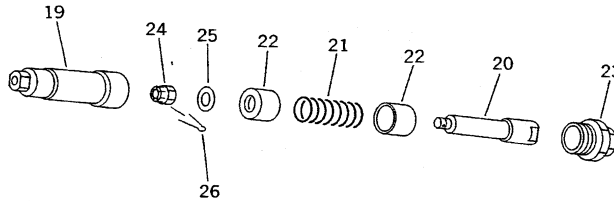
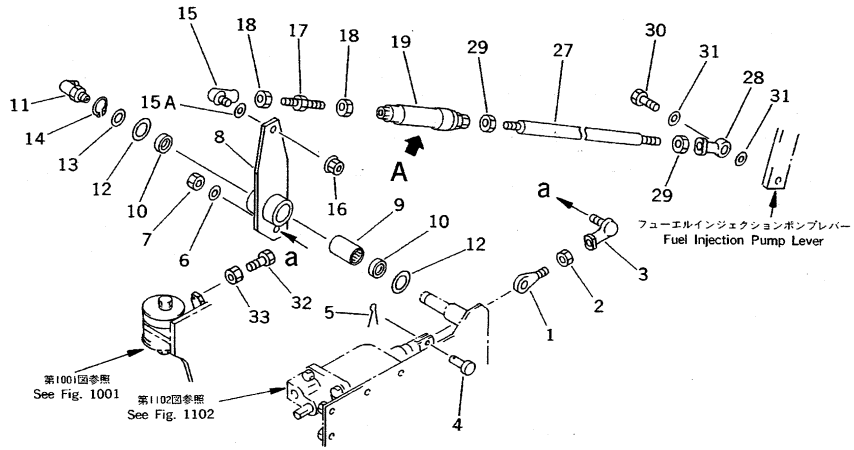
Item	Part No.	Part Name	Qty	Serial No.
1	6164-71-7550	CYLINDER ASS'Y	1	10001-
2	428-43-11171	BRACKET	1	10001-
3	01435-01020	BOLT	4	10001-
4	428-43-11240	BRACKET	1	10001-
5	01010-51025	BOLT	2	10001-
6	01643-31032	WASHER	2	10001-
7	421-43-11261	PLATE	1	10001-
8	424-43-11240	CUSHION	3	10001-
9	01580-10605	NUT	6	10001-
10	424-43-11250	WASHER	6	10001-
11	01010-51260	BOLT	2	10001-
12	01643-31232	WASHER	2	10001-
13	07102-30312	HOSE	1	10001-
14	07323-30300	ELBOW	1	10001-
15	427-43-11330	CONNECTOR	1	10001-
16	07238-00315	CONNECTOR	1	10001-
17	07261-31436	HOSE	1	10001-
18	07325-10400	NIPPLE	1	10001-
19	07323-50400	ELBOW	1	10001-
20	07323-30400	ELBOW	1	10001-
21	154-04-11510	NIPPLE	2	10001-
22	07281-00259	CLAMP	2	10001-
23	08036-92514	CLIP	6	10001-
24	01010-51016	BOLT	6	10001-
25	01643-31032	WASHER	6	10001-
26	41E-06-14910	CLIP	3	10001-
27	01435-01016	BOLT	2	10001-
28	419-06-12760	PLATE	1	10001-
29	01435-01016	BOLT	1	10001-

WA700-1 S/N 10001-UP (-50cent. Spec.)
ACCELERATOR PEDAL AND LINKAGE (2/3)

Item	Part No.	Part Name	Qty	Serial No.
30	08036-92514	CLIP	1	10001-
31	08036-91814	CLIP	1	10001-
32	01584-01008	NUT	1	10001-

WA700-1 S/N 10001-UP (-50cent. Spec.)

@@45110@



A 詳細
Detail A

Ref. 1103

Page 030050

WA700-1 S/N 10001-UP (-50cent. Spec.)
ACCELERATOR PEDAL AND LINKAGE (3/3)
PUMP LEVER)

INJECTION

Item	Part No.	Part Name	Qty	Serial No.
1	04252-21061	END,ROD	1	10001-
2	01582-11008	NUT	1	10001-
3	04256-61025	JOINT	1	10001-
4	04205-11032	PIN	1	10001-
5	04050-13020	PIN,COTTER	1	10001-
6	01641-21016	WASHER	1	10001-
7	01595-01008	NUT,LOCK	1	10001-
8	428-43-11182	LEVER	1	10001-
9	06120-02030	BEARING	1	10001-
10	06122-12004	SEAL	2	10001-
11	07020-00900	FITTING,GREASE	1	10001-
12	01643-32060	WASHER	2	10001-
13	01643-31845	WASHER	1	10001-
14	04064-01812	RING,SNAP	1	10001-
15	04256-61025	JOINT,BALL	1	10001-
15A	01643-31032	WASHER	1	10001-
16	01595-01008	NUT,LOCK	1	10001-
17	428-43-11270	ROD	1	10001-
18	01582-11008	NUT	2	10001-
19	561-43-41500	ABSORBER ASS'Y	1	10001-
	561-43-41540	· GUIDE	1	10001-
20	561-43-41520	· ROD	1	10001-
21	561-43-41530	· SPRING	1	10001-
22	561-43-41510	· LINER	2	10001-
23	6164-71-7250	· BOLT	1	10001-
24	01590-01012	· NUT	1	10001-
25	01643-31032	· WASHER	1	10001-
26	04050-02018	· PIN,COTTER	1	10001-

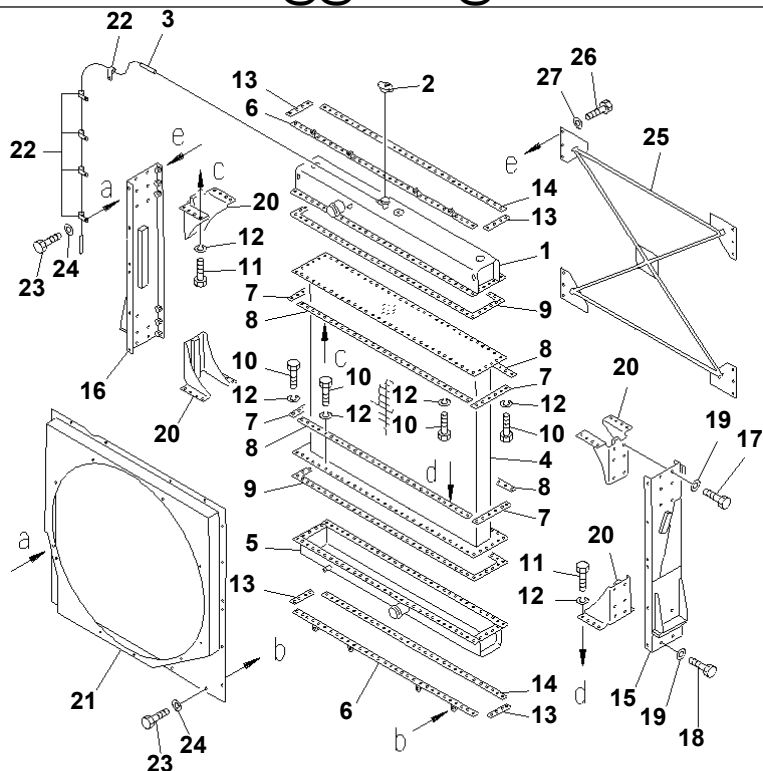
Reference:1103

Page:030050

**ACCELERATOR PEDAL AND LINKAGE (3/3)
PUMP LEVER)**

INJECTION

Item	Part No.	Part Name	Qty	Serial No.
27	428-43-11281	ROD	1	10001-
28	04250-81056	END,ROD	1	10001-
29	01582-11008	NUT	2	10001-
30	01010-51045	BOLT	1	10001-
31	04254-01032	SPACER	2	10001-
32	01010-51030	BOLT	1	10001-
33	01580-11008	NUT	1	10001-

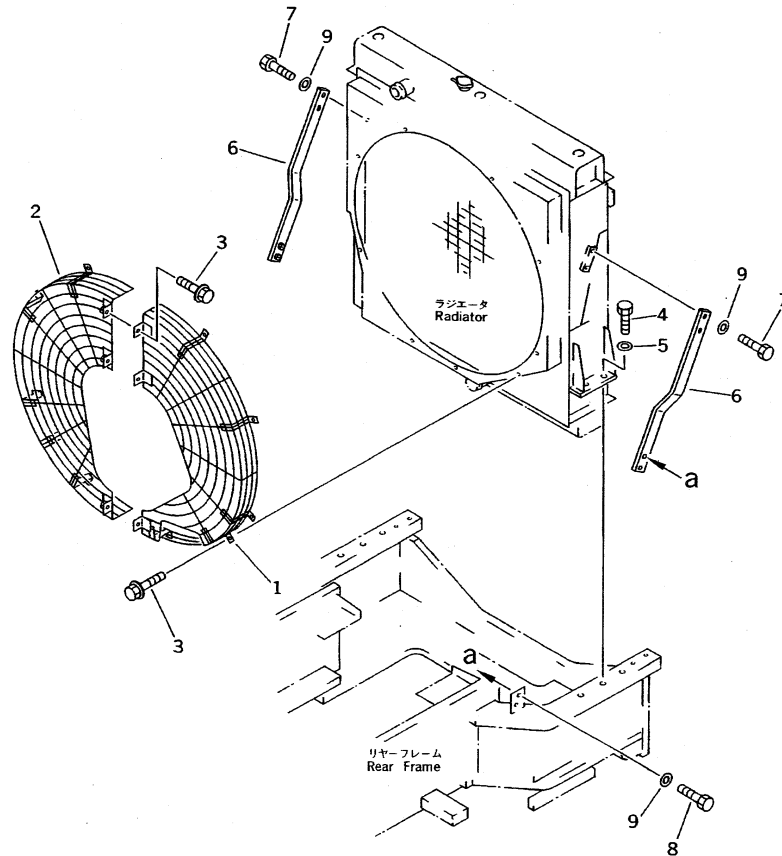


PW45111

WA700-1 S/N 10001-UP (-50cent. Spec.)

RADIATOR

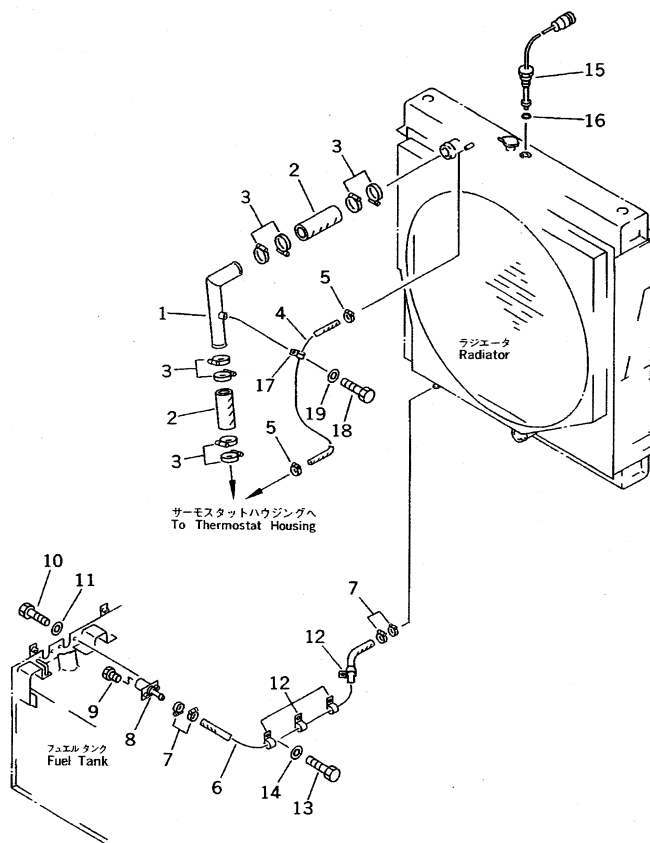
Item	Part No.	Part Name	Qty	Serial No.
1	428-03-11600	RADIATOR ASS'Y	1	10001-
	428-03-11111	· TANK,UPPER	1	10001-
2	428-03-11610	· CAP	1	10001-
3	428-03-11620	· HOSE	1	10001-
4	428-03-11131	· CORE	1	10001-
5	428-03-11121	· TANK,LOWER	1	10001-
6	428-03-11140	· PLATE ASS'Y	2	10001-
7	428-03-11171	· PLATE	4	10001-
8	428-03-11160	· PLATE	4	10001-
9	428-03-11211	· GASKET	2	10001-
10	01010-51030	· BOLT	108	10001-
11	01010-51040	· BOLT	32	10001-
12	01602-21030	· WASHER,SPRING	140	10001-
13	428-03-11310	· PLATE	4	10001-
14	428-03-11150	· PLATE	2	10001-
15	428-03-11221	· SUPPORT,L.H.	1	10001-
16	428-03-11231	· SUPPORT,R.H.	1	10001-
17	01010-51230	· BOLT	12	10001-
18	01010-51240	· BOLT	12	10001-
19	01643-31232	· WASHER	24	10001-
20	428-03-11181	· BRACKET	4	10001-
21	428-03-11282	· SHROUD	1	10001-
22	419-03-11320	· CLIP	5	10001-
23	01010-51025	· BOLT	20	10001-
24	01643-31032	· WASHER	20	10001-
25	428-03-11270	· STAY,CROSS	1	10001-
26	01010-51230	· BOLT	12	10001-
27	01643-31232	· WASHER	12	10001-



WA700-1 S/N 10001-UP (-50cent. Spec.)

RADIATOR COVER

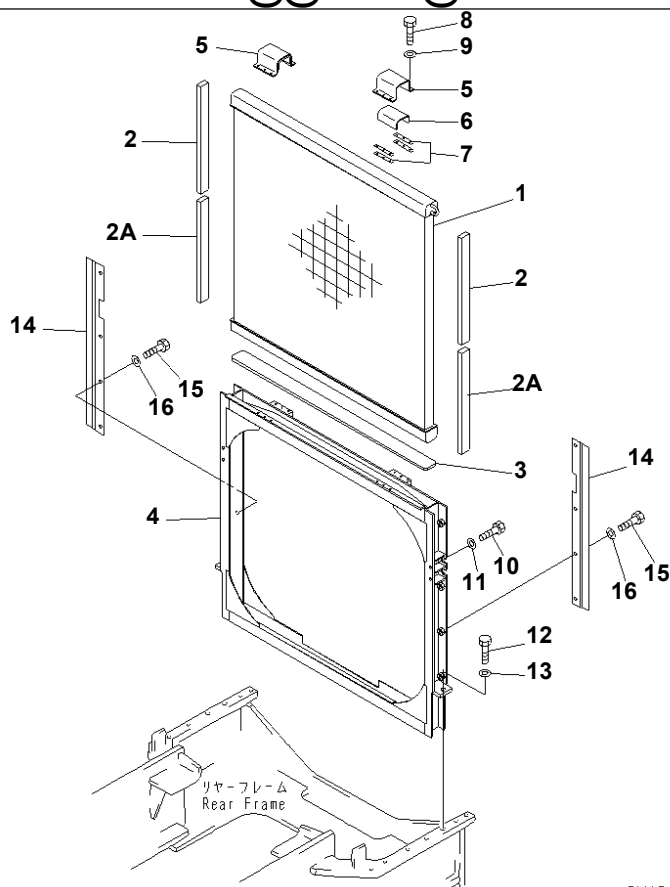
Item	Part No.	Part Name	Qty	Serial No.
1	428-03-13122	NET,L.H.	1	10001-
2	428-03-13131	NET,R.H.	1	10001-
3	01435-01225	BOLT	13	10001-
4	01010-32055	BOLT	4	10001-
5	01643-32060	WASHER	4	10001-
6	428-03-13113	SUPPORT	2	10001-
7	01010-31650	BOLT	4	10001-
8	01010-31665	BOLT	4	10001-
9	01643-31645	WASHER	8	10001-



WA700-1 S/N 10001-UP (-50cent. Spec.)

RADIATOR PIPING

Item	Part No.	Part Name	Qty	Serial No.
1	428-03-12123	TUBE	1	10001-
2	07260-37418	HOSE	2	10001-
3	07281-01029	CLAMP	8	10001-
4	09483-50310	HOSE	1	10001-
5	07281-00197	CLAMP	2	10001-
6	41E-03-12130	HOSE	1	10001-
7	07281-00359	CLAMP	4	10001-
8	426-01-11231	TUBE	1	10001-
9	424-01-11110	PLUG	1	10001-
10	01010-51030	BOLT	2	10001-
11	01643-31032	WASHER	2	10001-
12	08036-23014	CLIP	4	10001-
13	01010-51020	BOLT	4	10001-
14	01643-31032	WASHER	4	10001-
15	7861-91-4540	SENSOR,RADIATOR WATER LEVEL	1	10001-
16	07002-43634	O-RING	1	10001-
17	08036-21814	CLIP	1	10001-
18	01010-51016	BOLT	1	10001-
19	01643-31032	WASHER	1	10001-



PW45114

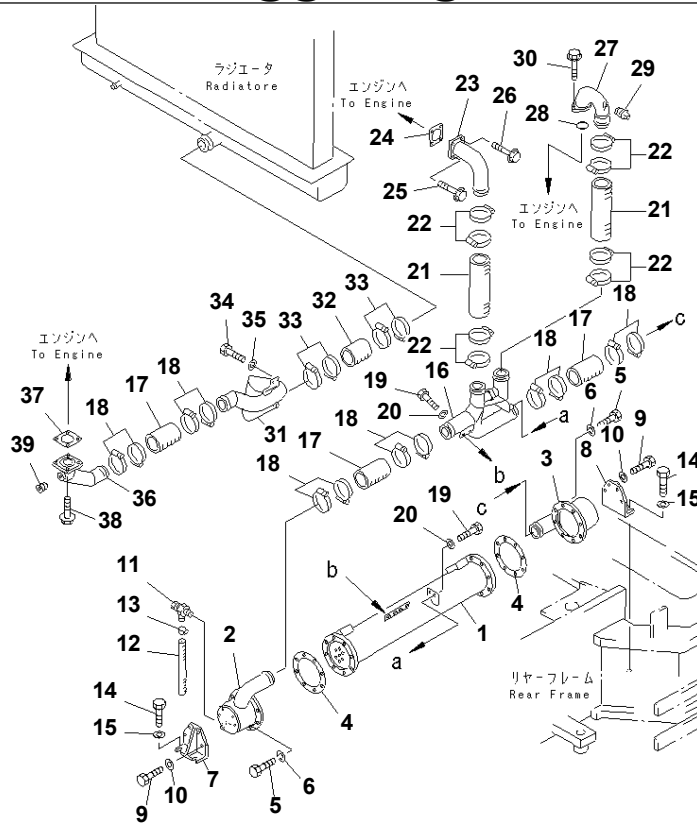
Ref. 1261

Page 030090

WA700-1 S/N 10001-UP (-50cent. Spec.)

OIL COOLER

Item	Part No.	Part Name	Qty	Serial No.
1	428-03-15600	OIL COOLER ASS'Y	1	10001-
	428-03-15111	· CORE ASS'Y	1	10001-
2	428-03-15630	· PACKING	2	10001-
2A	428-03-15640	· PACKING	2	10001-
3	428-03-15610	· SEAT,RUBBER	1	10001-
4	428-03-15211	· FRAME	1	10001-
5	428-03-15121	· CLAMP	2	10001-
6	428-03-15620	· SEAT,RUBBER	2	10001-
7	428-03-15130	· SHIM	4	10001-
8	01010-51030	· BOLT	12	10001-
9	01643-31032	· WASHER	12	10001-
10	01010-31240	BOLT	4	10001-
11	01643-31445	WASHER	4	10001-
12	01010-32055	BOLT	2	10001-
13	01643-32060	WASHER	2	10001-
14	428-54-13270	BAFFLE	2	10001-
15	01010-51025	BOLT	8	10001-
16	01643-31032	WASHER	8	10001-



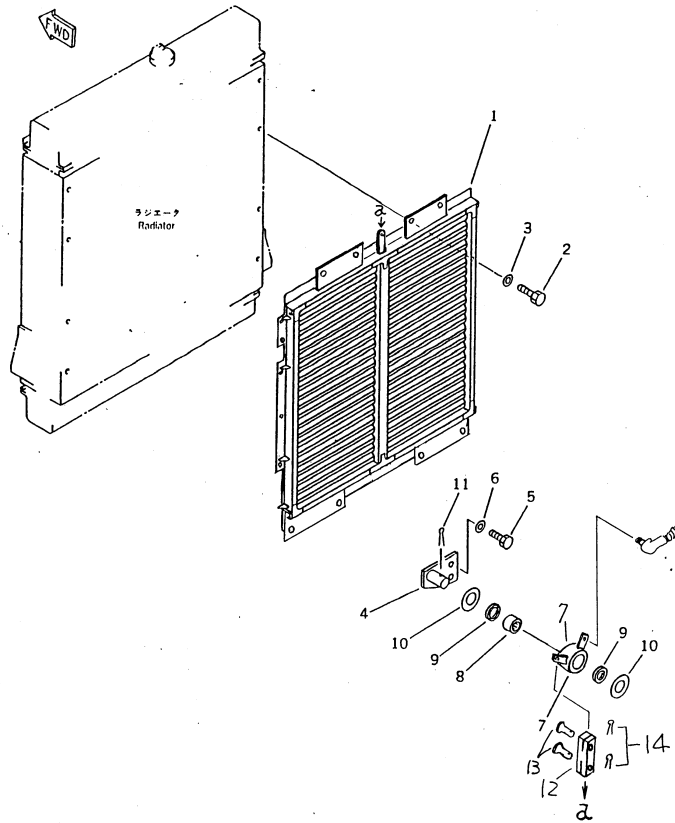
PN45115

WA700-1 S/N 10001-UP (-50cent. Spec.)
OIL COOLER AND WATER PIPING

Item	Part No.	Part Name	Qty	Serial No.
1	426-03-11402	OIL COOLER ASS'Y	1	10001-
	426-03-11610	・ ELEMENT	1	10001-
2	426-03-11620	・ COVER,L.H.	1	10001-
3	426-03-11630	・ COVER,R.H.	1	10001-
4	426-03-11640	・ GASKET	2	10001-
5	01010-51245	・ BOLT	16	10001-
6	01602-21236	・ WASHER,SPRING	16	10001-
7	426-03-11660	・ BRACKET	1	10001-
8	426-03-11650	・ BRACKET	1	10001-
9	01010-51235	・ BOLT	8	10001-
10	01643-31232	・ WASHER	8	10001-
11	6127-61-8411	VALVE ASS'Y,DRAIN	1	10001-
12	09483-50502	HOSE	1	10001-
13	07281-00259	CLAMP	1	10001-
14	01010-51235	BOLT	3	10001-
15	175-54-34170	WASHER	3	10001-
16	428-03-12153	TUBE	1	10001-
17	07260-37422	HOSE	3	10001-
18	07281-01029	CLAMP	12	10001-
19	01010-51235	BOLT	4	10001-
20	01643-31232	WASHER	4	10001-
21	07260-37428	HOSE	2	10001-
22	07281-01029	CLAMP	8	10001-
23	426-03-11332	TUBE	1	10001-
24	6162-63-2161	GASKET	1	10001-
25	01435-01035	BOLT	2	10001-
26	01435-01060	BOLT	2	10001-
27	426-03-11491	ELBOW	1	10001-
28	07000-42075	O-RING	1	10001-

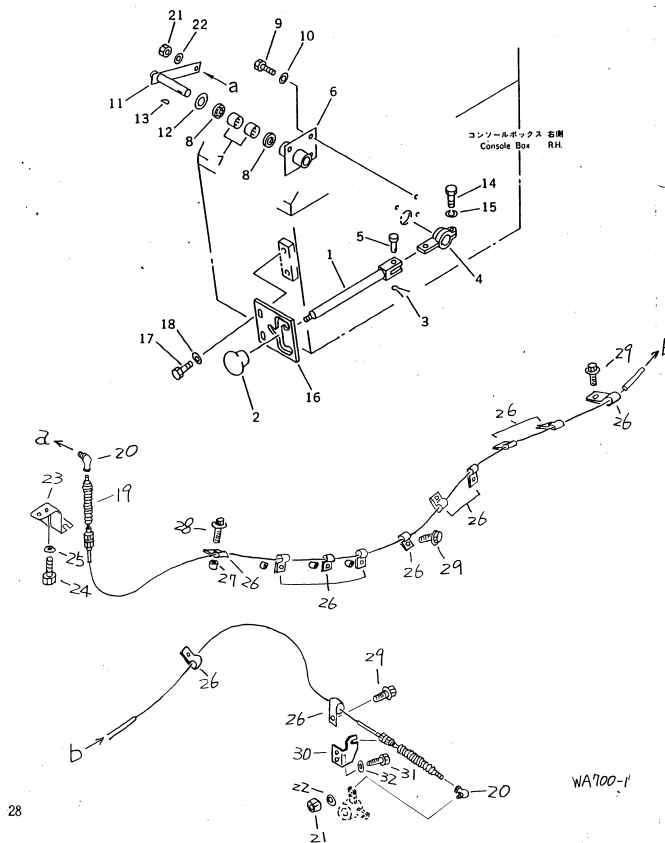
**WA700-1 S/N 10001-UP (-50cent. Spec.)
OIL COOLER AND WATER PIPING**

Item	Part No.	Part Name	Qty	Serial No.
29	07042-20108	PLUG	1	10001-
30	01435-01235	BOLT	2	10001-
31	428-03-12161	TUBE	1	10001-
32	07260-37416	HOSE	1	10001-
33	07281-01029	CLAMP	4	10001-
34	01010-51225	BOLT	2	10001-
35	01643-31232	WASHER	2	10001-
36	428-03-12141	TUBE	1	10001-
37	6693-62-9242	GASKET	1	10001-
38	01435-01030	BOLT	4	10001-
39	07043-70415	PLUG	1	10001-



WA700-1 S/N 10001-UP (-50cent. Spec.)
RADIATOR SHUTTER (1/2)

Item	Part No.	Part Name	Qty	Serial No.
1	428-U43-1110	SHUTTER ASS'Y	1	10001-
2	01010-51225	BOLT	18	10001-
3	01643-31232	WASHER	18	10001-
4	41E-U43-1130	BRACKET	1	10001-
5	01010-51025	BOLT	2	10001-
6	01643-31032	WASHER	2	10001-
7	41E-U43-1120	LEVER	1	10001-
8	06120-01612	BEARING	1	10001-
9	01622-11603	SEAL,BEARING	2	10001-
10	01640-21626	WASHER	2	10001-
11	04050-13025	PIN,COTTER	1	10001-
12	04213-20820	YOKE	1	10001-
13	04205-10822	PIN	2	10001-
14	04050-12012	PIN,COTTER	2	10001-



WA700-1 S/N 10001-UP (-50cent. Spec.)
RADIATOR SHUTTER (2/2)

Item	Part No.	Part Name	Qty	Serial No.
1	41E-U43-1211	LEVER	1	10001-
2	09304-01250	KNOB	1	10001-
3	04050-14028	PIN,COTTER	1	10001-
4	41E-U43-1151	LEVER	1	10001-
5	04205-11438	PIN	1	10001-
6	41E-U43-1160	BRACKET	1	10001-
7	06120-01612	BEARING	2	10001-
8	06122-11603	SEAL,BEARING	2	10001-
9	01010-51030	BOLT	3	10001-
10	01643-31032	WASHER	3	10001-
11	428-U43-1140	LEVER	1	10001-
12	01640-21626	WASHER	1	10001-
13	04010-00516	KEY	1	10001-
14	01010-50830	BOLT	1	10001-
15	01602-20825	WASHER,SPRING	1	10001-
16	41E-U43-1240	PLATE	1	10001-
17	01010-51020	BOLT	2	10001-
18	01643-31032	WASHER	2	10001-
19	428-U43-1120	CABLE	1	10001-
20	41E-43-11120	JOINT	2	10001-
21	01596-00606	NUT	2	10001-
22	01643-30623	WASHER	2	10001-
23	41E-U43-1111	BRACKET	1	10001-
24	01010-51035	BOLT	2	10001-
25	01643-31032	WASHER	2	10001-
26	04434-51210	CLIP	12	10001-
27	419-15-17541	SPACER	4	10001-
28	01435-01040	BOLT	4	10001-
29	01435-01016	BOLT	8	10001-

WA700-1 S/N 10001-UP (-50cent. Spec.)

RADIATOR SHUTTER (2/2)

Item	Part No.	Part Name	Qty	Serial No.
30	428-U43-1130	BRACKET	1	10001-
31	01010-51025	BOLT	2	10001-
32	01643-31032	WASHER	2	10001-

Thank you so much for reading.
Please click the “Buy Now!”
button below to download the
complete manual.



After you pay.

You can download the most
perfect and complete manual in
the world immediately.

Our support email:

ebooklibonline@outlook.com