

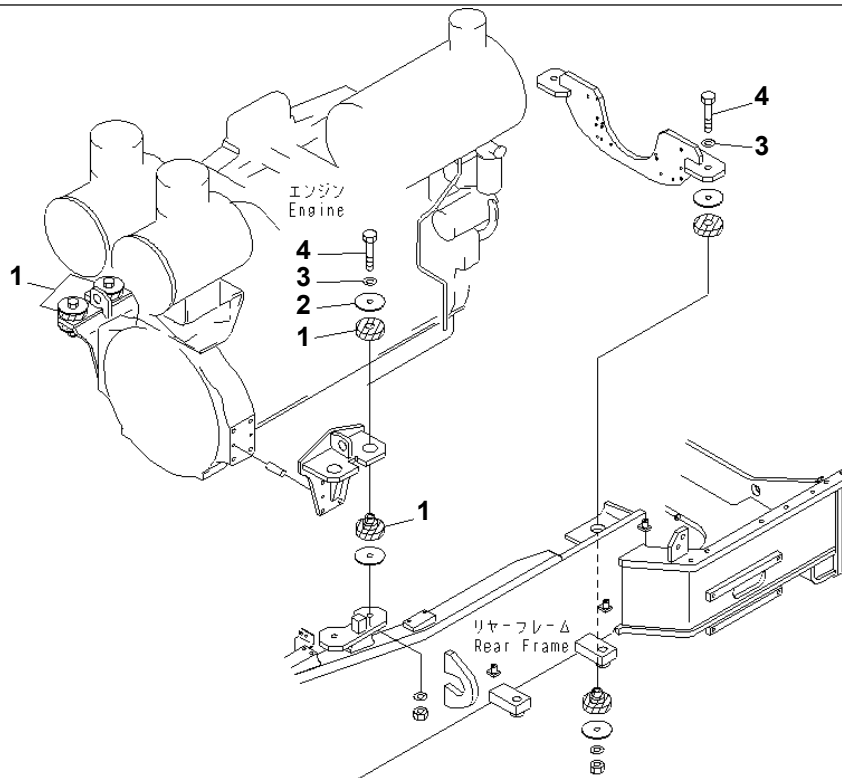
WA700-3 S/N 50001-UP (KA Spec.)
WA700-3 S/N 50001-UP (KA Spec.)

Item	Part Name
	SAA6D170E-3C-8 S/N 310001-UP
	SAA6D170E-2C-8 S/N 17001-UP
B0	ENGINE RELATED PARTS
C0	COOLING SYSTEM
D0	FUEL TANK AND RELATED PARTS
E0	ELECTRICAL SYTEM
F0	TORQUE CONVERTER AND TRANSMISSION
H0	HYDRAULIC SYSTEM
J0	MAIN/REVOLVING FRAME AND RELATED PARTS
K0	OPERATOR'S COMPARTMENT AND CONTROL SYSTEM
M0	GUARD
S0	SUSPENSION AND WHEEL RELATED PARTS
T0	WORK EQUIPMENT
U0	MARKS AND PLATES
V0	ACCESSORY AND TOOL
Y0	SERVICE KIT AND COMPONENT PARTS

WA700-3 S/N 50001-UP (KA Spec.)
ENGINE RELATED PARTS

Item	Part Name	Qty
10	ENGINE (MOUNTING PARTS)(#51075-)	1
20	ENGINE (DAMPER)(#51075-)	1
30	ENGINE (RADIATOR PIPING)(#51075-)	1
40	ENGINE (TORQUE CONVERTER COOLER PIPING)(#51075-)	1
50	ENGINE (ENGINE HARNESS)(#51075-)	1
60	ENGINE (AIR COMPRESSOR AND MOUNTING PARTS)(#51075-)	1
70	ENGINE (HEATER PIPING)(#51075-)	1
80	ENGINE (COVER)(#51075-)	1
90	ENGINE (AIR COMPRESSOR?INNER PARTS)(#51075-)	1
100	ENGINE MOUNTING (MOUNTING PARTS)(#51001-51074)	1
110	ENGINE MOUNTING (MOUNTING PARTS)(#51075-)	1
120	ENGINE (EXTENSION PRE-CLEANER)(#51075-)	1
130	ENGINE (EXTENSION PRE-CLEANER)(#50001-51074)	1
140	EXHAUST SYSTEM (TBG SPEC.)(#50001-51074)	1
150	EXHAUST SYSTEM (RUST PROOF SPEC.)(#50001-51074)	1
160	EXHAUST SYSTEM(#51075-)	1
170	DAMPER	1

WA700-3 S/N 50001-UP (KA Spec.)
00075331



00075331

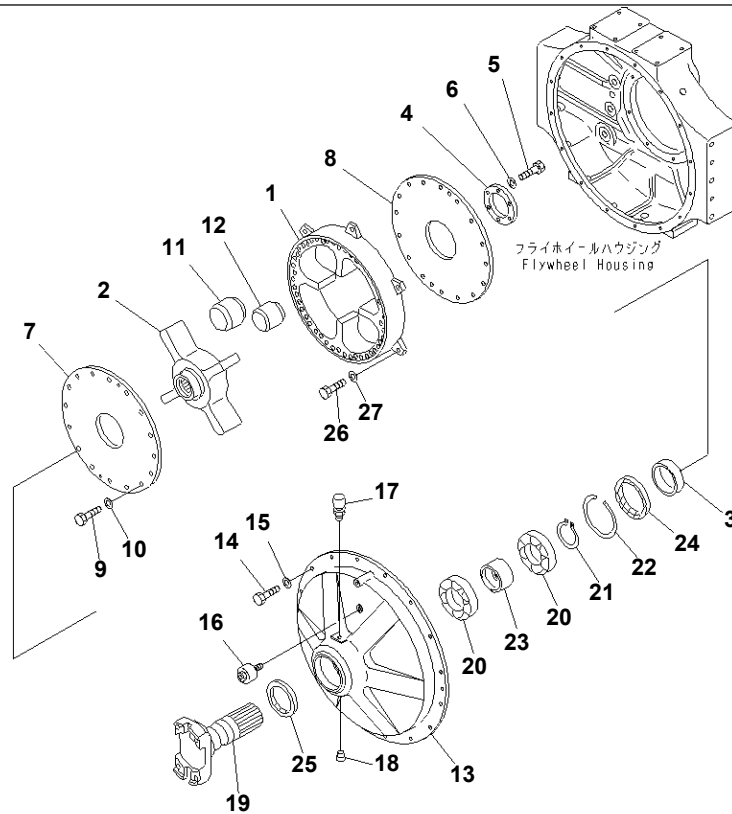
Ref. B0000-01B0

Page 030010

WA700-3 S/N 50001-UP (KA Spec.)
ENGINE (MOUNTING PARTS)(#51075-)

Item	Part No.	Part Name	Qty	Serial No.
1	424-01-11310	CUSHION ASS'Y	4	51075-
2	424-01-11220	WASHER	4	51075-
3	01643-32460	WASHER	6	51075-
4	01011-62460	BOLT	6	51075-

WA700-3 S/N 50001-UP (KA Spec.)
00075332



00075332

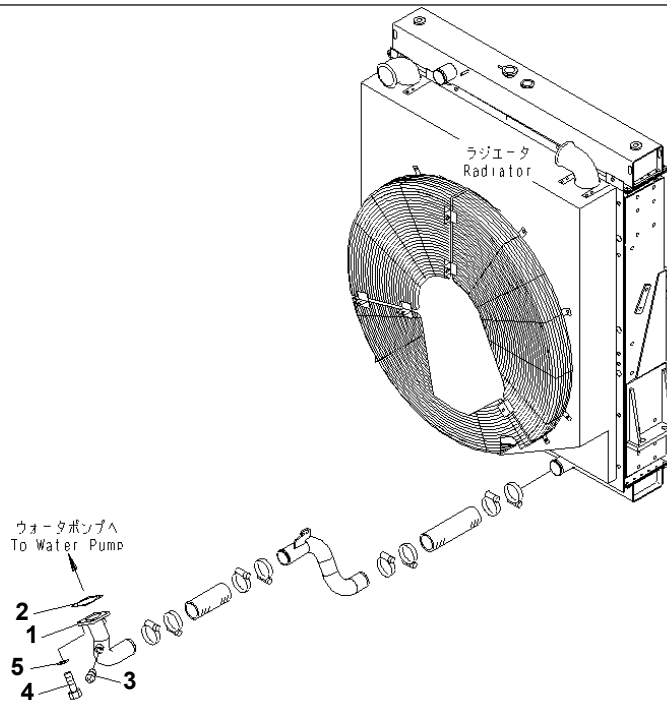
Ref. B0000-02B0

Page 030020

WA700-3 S/N 50001-UP (KA Spec.)
ENGINE (DAMPER)(#51075-)

Item	Part No.	Part Name	Qty	Serial No.
1	428-12-11163	BODY, OUTER	1	51075-
	428-12-11210	BODY ASS'Y, INNER	1	51075-
2	428-12-11152	· BODY, INNER	1	51075-
3	428-12-11220	· SPACER	1	51075-
4	428-12-11240	COVER	1	51075-
5	01010-61035	BOLT	6	51075-
6	01643-31032	WASHER	6	51075-
7	428-12-11171	FLANGE	1	51075-
8	428-12-11180	FLANGE	1	51075-
9	01011-61215	BOLT	16	51075-
10	01643-31232	WASHER	16	51075-
11	428-12-12270	RUBBER	4	51075-
12	428-12-12370	RUBBER	4	51075-
13	428-12-11123	COVER	1	51075-
14	01010-31235	BOLT	16	51075-
15	01643-31232	WASHER	16	51075-
16	07030-00252	BREATHER	1	51075-
17	07030-01030	BREATHER	1	51075-
18	07043-00211	PLUG	1	51075-
19	428-12-11141	SHAFT	1	51075-
20	06040-06217	BEARING	2	51075-
21	04064-08530	RING, SNAP	1	51075-
22	04071-00150	RING, SNAP	1	51075-
23	428-12-11260	SPACER	1	51075-
24	428-12-11341	SEAL, OIL	1	51075-
25	428-12-11351	SEAL, OIL	1	51075-
26	01010-31645	BOLT	6	51075-
27	01643-31645	WASHER	6	51075-
28	427-12-11871	GREASE, CANNED (2KG) (NOT SHOWN) NOT SHOWN	1	51075-

WA700-3 S/N 50001-UP (KA Spec.)
00075333



00075333

Ref. B0000-03B0

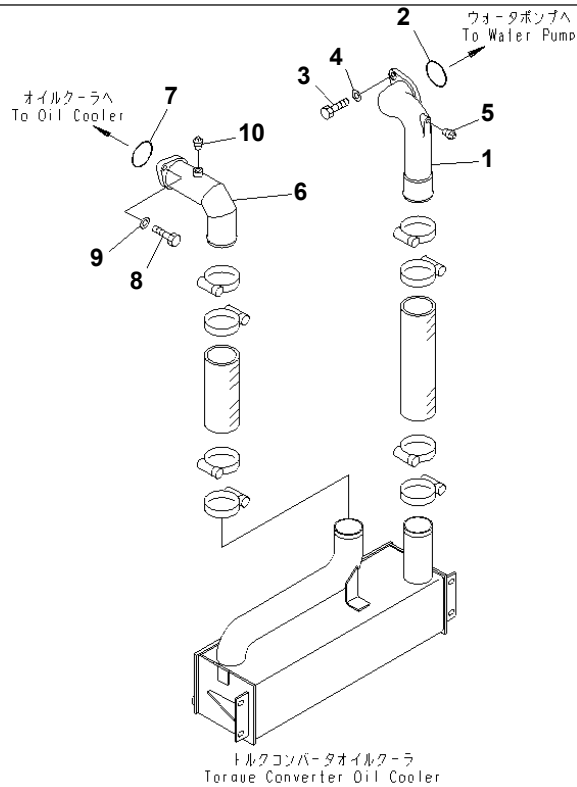
Page 030030

WA700-3 S/N 50001-UP (KA Spec.)
ENGINE (RADIATOR PIPING)(#51075-)

Item	Part No.	Part Name	Qty	Serial No.
1	428-03-22130	TUBE	1	51075-
2	6693-62-9242	GASKET	1	51075-
3	07043-70415	PLUG	1	51075-
4	01010-81030	BOLT	4	51075-
5	01643-51032	WASHER	4	51075-

WA700-3 S/N 50001-UP (KA Spec.)

00075334



00075334

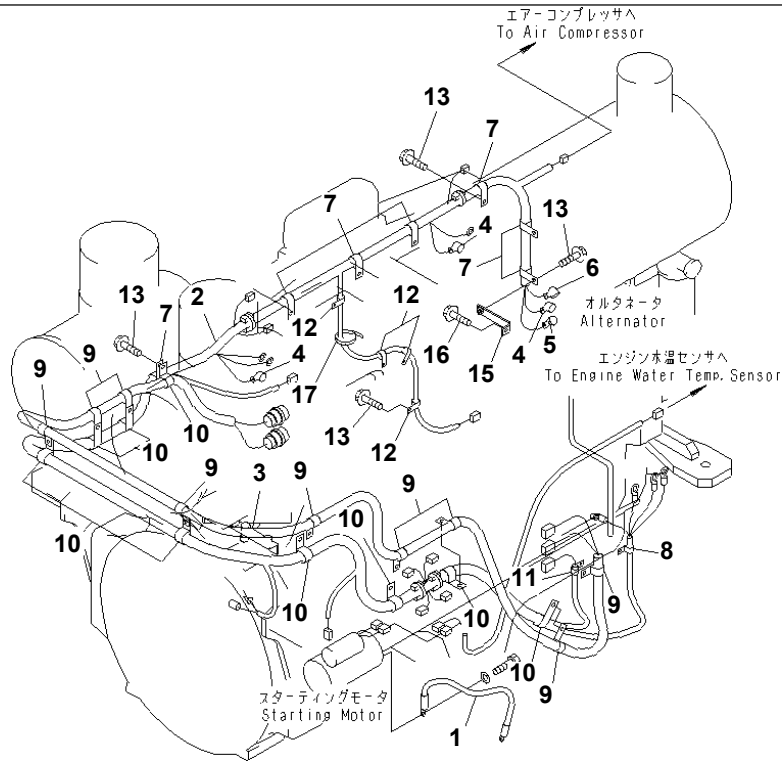
Ref. B0000-04B0

Page 030040

WA700-3 S/N 50001-UP (KA Spec.)
ENGINE (TORQUE CONVERTER COOLER PIPING)(#51075-)

Item	Part No.	Part Name	Qty	Serial No.
1	426-03-22530	ELBOW	1	51075-
2	07000-12075	O-RING	1	51075-
3	01010-81235	BOLT	2	51075-
4	01643-31232	WASHER	2	51075-
5	07042-20108	PLUG	1	51075-
6	426-03-22511	TUBE	1	51075-
7	07000-12075	O-RING	1	51075-
8	01010-81240	BOLT	2	51075-
9	01643-31232	WASHER	2	51075-
10	07042-20108	PLUG	1	51075-

WA700-3 S/N 50001-UP (KA Spec.)
00075335



00075335

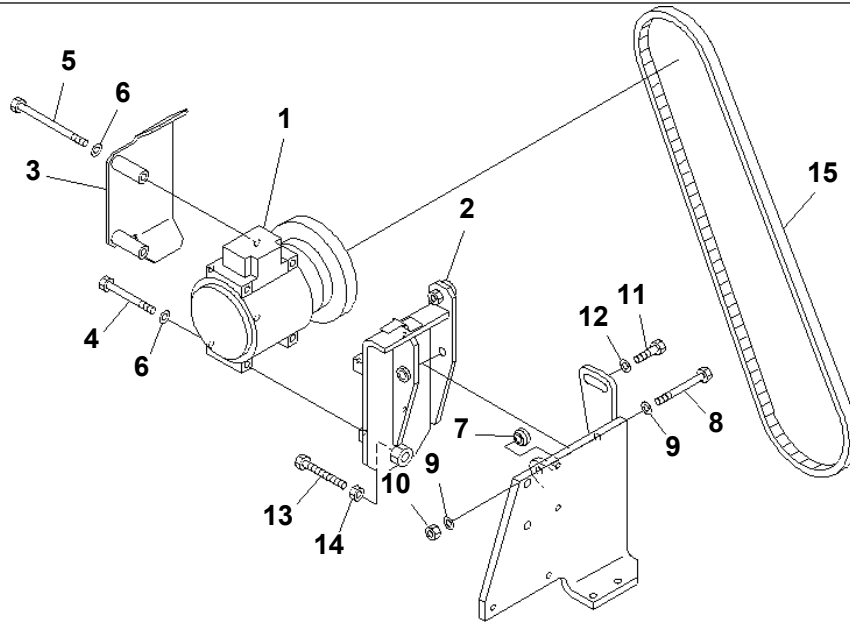
Ref. B0000-05B0

Page 030050

WA700-3 S/N 50001-UP (KA Spec.)
ENGINE (ENGINE HARNESS)(#51075-)

Item	Part No.	Part Name	Qty	Serial No.
1	428-06-12610	WIRE	1	51075-
2	428-06-22441	WIRING HARNESS	1	51075-
3	428-06-22430	WIRING HARNESS	1	51075-
4	08038-02027	CAP	3	51075-
5	428-06-22710	CAP	1	51075-
6	08038-00519	CAP	1	51075-
7	04434-52212	CLIP	7	51075-
8	04434-52712	CLIP	1	51075-
9	04434-51710	CLIP	11	51075-
10	04434-53412	CLIP	9	51075-
11	04434-51810	CLIP	1	51075-
12	04434-50810	CLIP	8	51075-
13	01435-01016	BOLT	15	51075-
15	427-04-11130	PLATE	1	51075-
16	01435-01020	BOLT	1	51075-
17	08034-20536	BAND	4	51075-

**WA700-3 S/N 50001-UP (KA Spec.)
00075336**



Ref. B0000-06B0

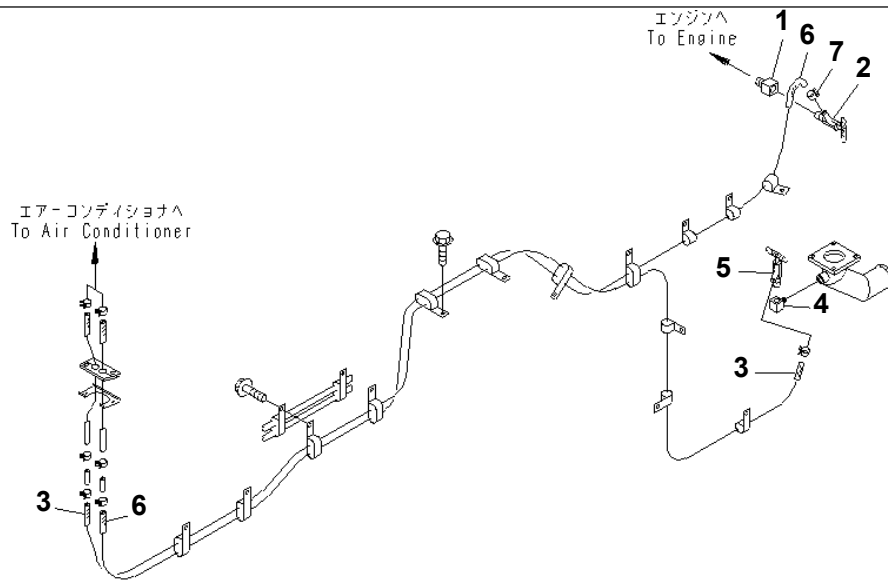
00075336

Page 030060

**WA700-3 S/N 50001-UP (KA Spec.)
ENGINE (AIR COMPRESSOR AND MOUNTING PARTS)(#51075-)**

Item	Part No.	Part Name	Qty	Serial No.
1	(425-07-21180)	AIR COMPRESSOR A.	1	51075-
2	426-S62-2420	BRACKET	1	51075-
3	426-S62-2511	COVER	1	51075-
4	01010-80885	BOLT	2	51075-
5	426-S62-2520	BOLT	2	51075-
6	01643-30823	WASHER	4	51075-
7	419-07-11761	COLLAR	1	51075-
8	01011-81245	BOLT	1	51075-
9	01643-31232	WASHER	2	51075-
10	01580-11210	NUT	1	51075-
11	01010-81250	BOLT	1	51075-
12	01643-31232	WASHER	1	51075-
13	01017-51610	BOLT	1	51075-
14	01580-11613	NUT	1	51075-
15	04120-21763	V-BELT	1	51075-

WA700-3 S/N 50001-UP (KA Spec.)
00075337



00075337

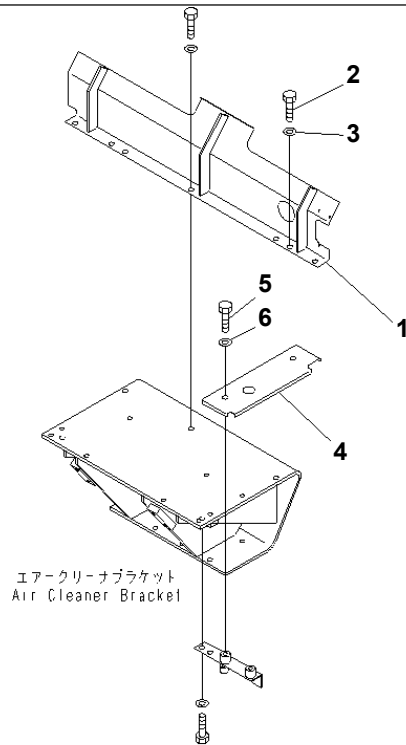
Ref. B0000-07B0

Page 030070

WA700-3 S/N 50001-UP (KA Spec.)
ENGINE (HEATER PIPING)(#51075-)

Item	Part No.	Part Name	Qty	Serial No.
1	427-07-21110	JOINT	1	51075-
2	09482-10000	VALVE	1	51075-
3	09483-10552	HOSE	1	51075-
4	565-44-15380	ELBOW	1	51075-
5	09482-10000	VALVE	1	51075-
6	09483-10542	HOSE	1	51075-
7	423-07-23240	CLIP,HOSE	1	51075-

WA700-3 S/N 50001-UP (KA Spec.)
00075338



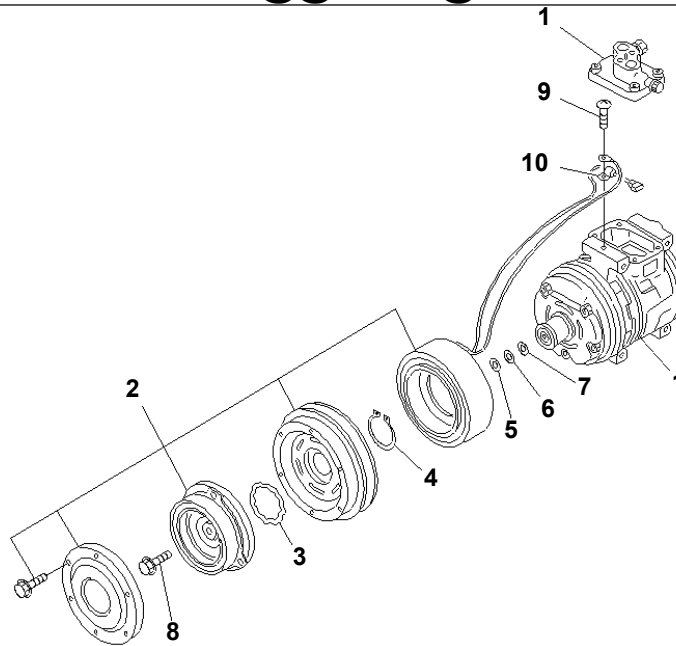
00075338

Ref. B0000-08B0

Page 030080

WA700-3 S/N 50001-UP (KA Spec.)
ENGINE (COVER)(#51075-)

Item	Part No.	Part Name	Qty	Serial No.
1	428-54-21830	SUPPORT	1	51075-
2	01010-81225	BOLT	3	51075-
3	01643-31232	WASHER	3	51075-
4	428-54-21840	COVER,L.H.	1	51075-
5	01010-81225	BOLT	2	51075-
6	01643-31232	WASHER	2	51075-



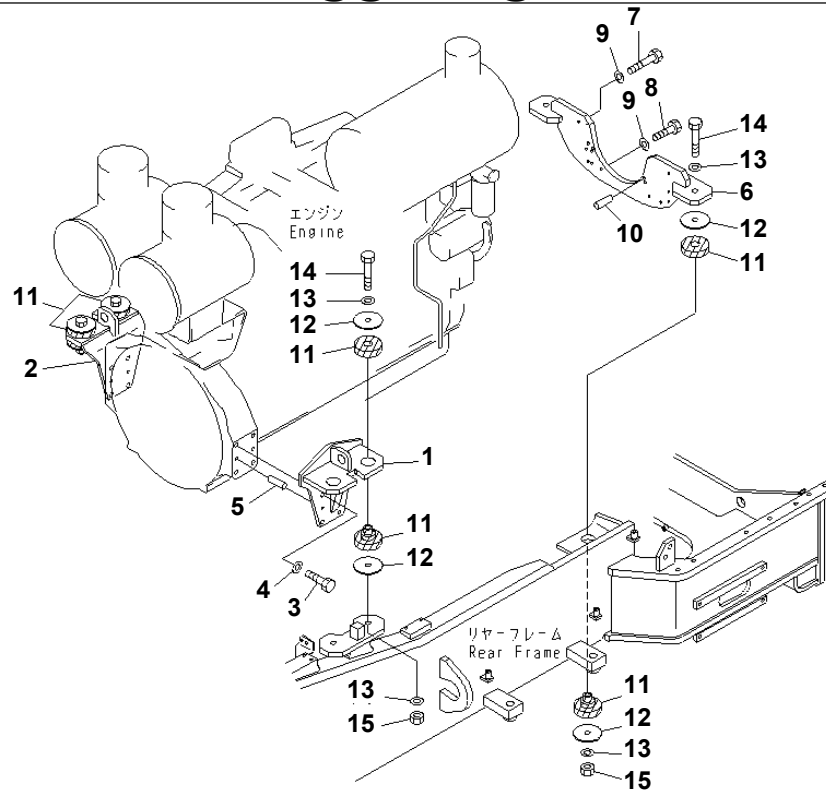
PWE5694

Ref. B0000-51B0

Page 030090

WA700-3 S/N 50001-UP (KA Spec.)
ENGINE (AIR COMPRESSOR?INNER PARTS)(#51075-)

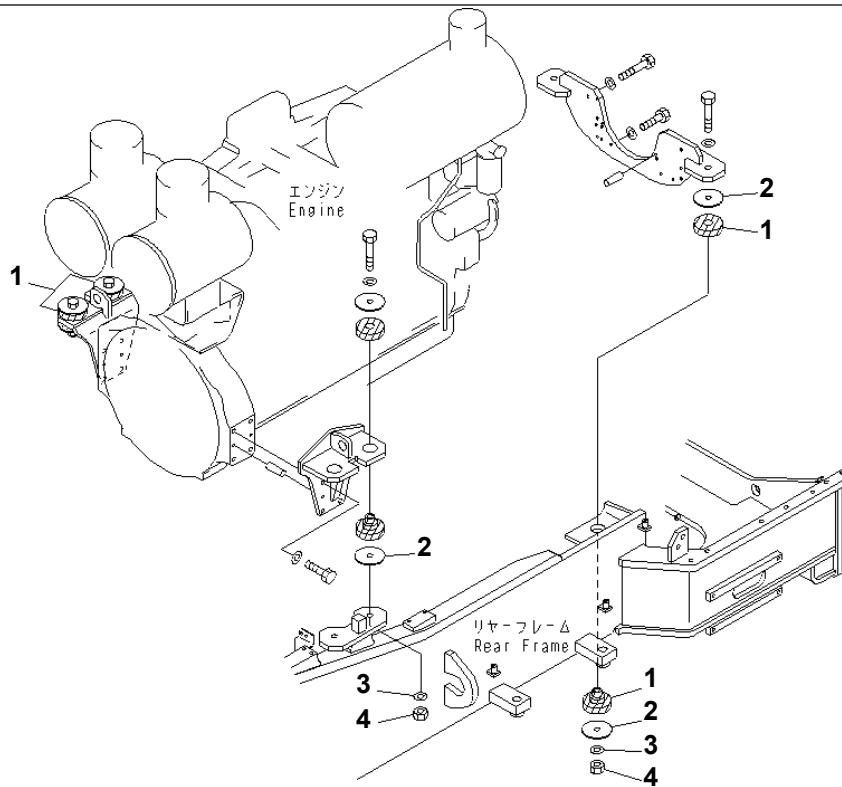
Item	Part No.	Part Name	Qty	Serial No.
	425-07-21180	AIR COMPRESSOR A.	1	51075-
1	ND447200-1741	· COMPRESSOR ASS'Y	1	51075-
2	ND447300-7300	· CLUTCH ASS'Y	1	51075-
3	ND949070-1360	· RING, SNAP	1	51075-
4	ND949070-0640	· RING, SNAP	1	51075-
5	ND949013-7480	· WASHER, 0.1MM	1	51075-
6	ND949013-7500	· WASHER, 0.3MM	1	51075-
7	ND949013-7510	· WASHER, 0.5MM	1	51075-
8	ND949048-0430	· BOLT	1	51075-
9	ND91310-05081	· SCREW	1	51075-
10	ND146691-4470	· CLAMP	1	51075-



WA700-3 S/N 50001-UP (KA Spec.)
ENGINE MOUNTING (MOUNTING PARTS)(#51001-51074)

Item	Part No.	Part Name	Qty	Serial No.
1	428-01-21110	BRACKET,L.H.	1	51001-51009
2	428-01-21120	BRACKET,R.H.	1	51001-51009
3	01016-31850	BOLT	8	51001-51009
4	01643-31845	WASHER	8	51001-51009
5	04020-01434	PIN,DOWEL	4	51001-51009
6	426-01-21151	SUPPORT	1	51001-51009
7	01011-81205	BOLT	10	51001-51009
8	01010-81245	BOLT	2	51001-51009
9	01643-31232	WASHER	12	51001-51009
10	04020-01434	PIN,DOWEL	2	51001-51009
11	424-01-11310	CUSHION ASS'Y	6	50001-
12	424-01-11220	WASHER	12	50001-
13	01643-32460	WASHER	12	50001-
14	01011-62460	BOLT	6	50001-
15	01596-02419	NUT	6	50001-

WA700-3 S/N 50001-UP (KA Spec.)
00074483



00074483

Ref. B0100-01B0

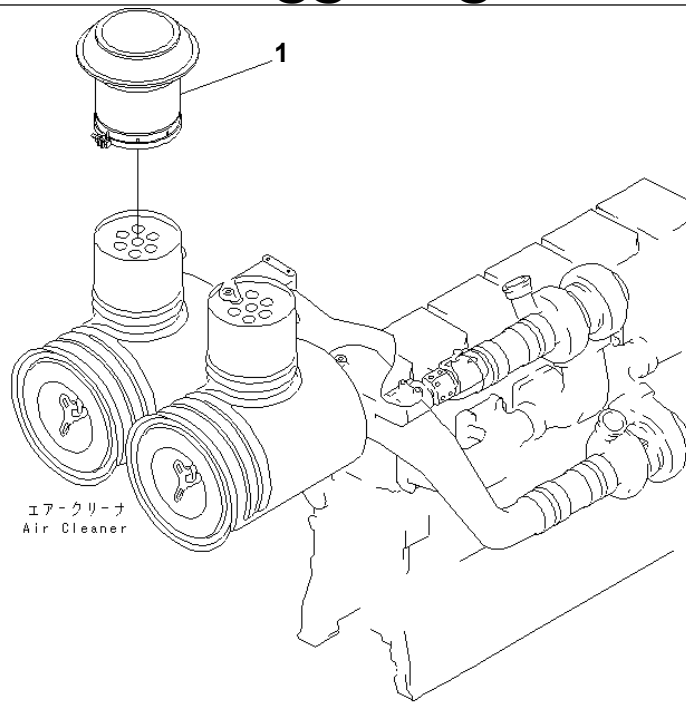
Page 030110

WA700-3 S/N 50001-UP (KA Spec.)
ENGINE MOUNTING (MOUNTING PARTS)(#51075-)

Item	Part No.	Part Name	Qty	Serial No.
1	424-01-11310	CUSHION ASS'Y	6	51075-
2	424-01-11220	WASHER	12	51075-
3	01643-32460	WASHER	12	51075-
4	01596-02419	NUT	6	51075-

WA700-3 S/N 50001-UP (KA Spec.)

@@2B660@



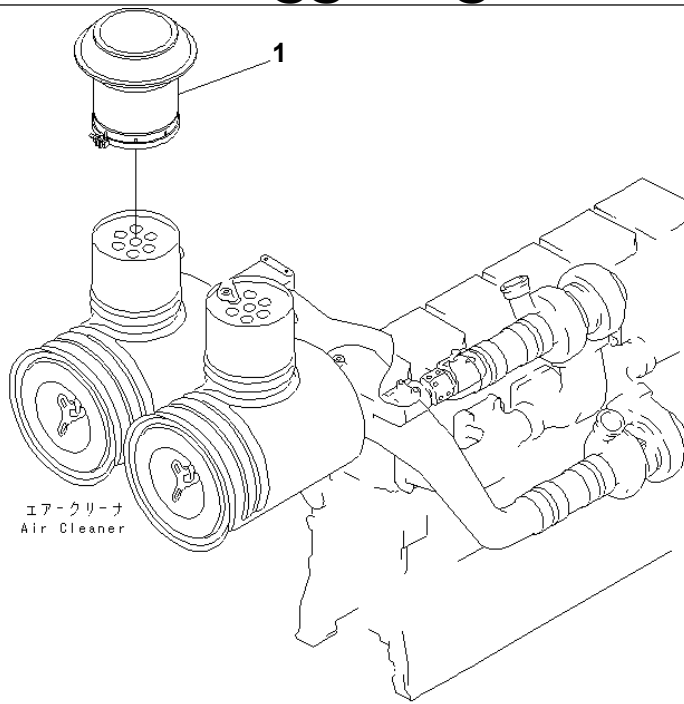
PJ2B660

Ref. B0110-01B0

Page 030120

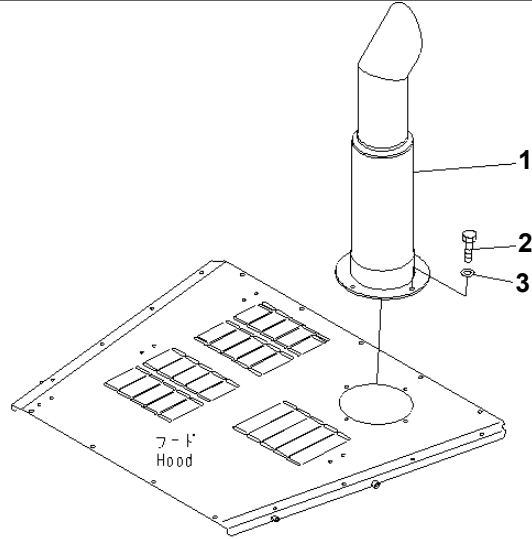
WA700-3 S/N 50001-UP (KA Spec.)
ENGINE (EXTENSION PRE-CLEANER)(#51075-)

Item	Part No.	Part Name	Qty	Serial No.
1	6128-11-5180	HOOD ASS'Y	2	51075-
	01016-31045	・ BOLT	1	51075-
	01580-11008	・ NUT	1	51075-



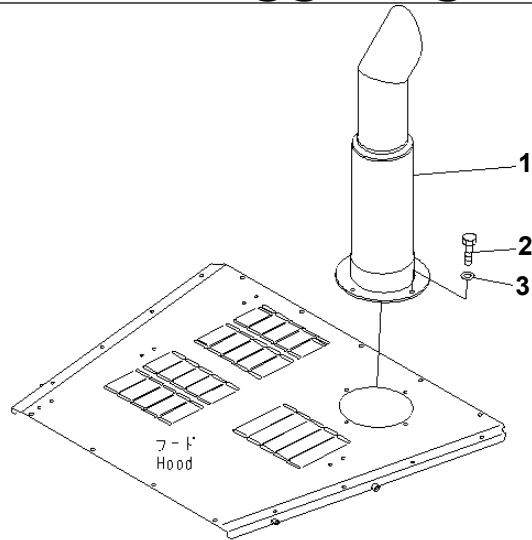
WA700-3 S/N 50001-UP (KA Spec.)
ENGINE (EXTENSION PRE-CLEANER)(#50001-51074)

Item	Part No.	Part Name	Qty	Serial No.
1	6128-11-5180	HOOD ASS'Y	2	51001-
	600-181-4950	HOOD	2	50023-51000
	01016-51045	・ BOLT	1	50023-51000
	01580-11008	・ NUT	1	50023-51000



WA700-3 S/N 50001-UP (KA Spec.)
EXHAUST SYSTEM (TBG SPEC.)(#50001-51074)

Item	Part No.	Part Name	Qty	Serial No.
1	428-02-21121	PIPE,EXHAUST	1	51001-
	428-02-21120	PIPE,EXHAUST	1	50001-51000
2	01010-81235	BOLT	4	50001-
3	01643-31232	WASHER	4	50001-



PWE8209

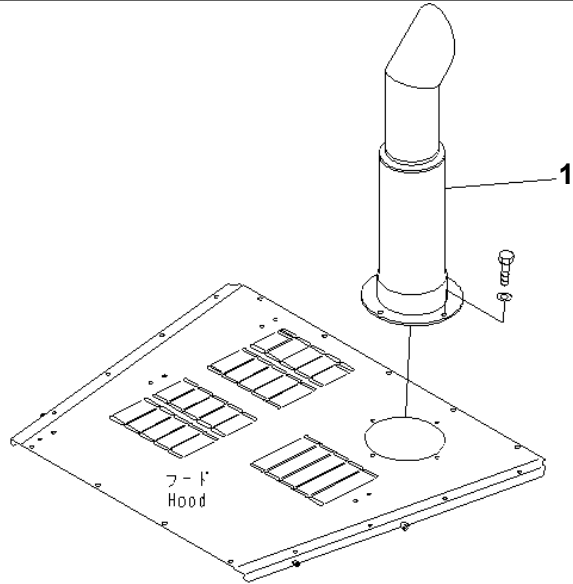
Ref. B0300-01A2

Page 030150

WA700-3 S/N 50001-UP (KA Spec.)
EXHAUST SYSTEM (RUST PROOF SPEC.)(#50001-51074)

Item	Part No.	Part Name	Qty	Serial No.
1	428-02-21130	MUFFLER,EXHAUST	1	50001-
2	01010-81235	BOLT	4	50001-
3	01643-31232	WASHER	4	50001-

WA700-3 S/N 50001-UP (KA Spec.)
00074484



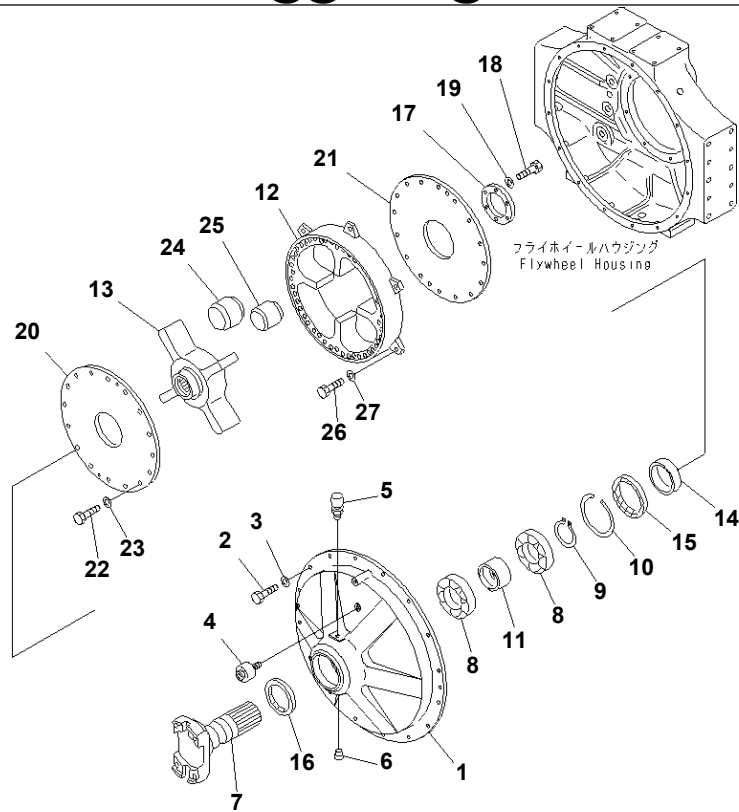
00074484

Ref. B0300-01B0

Page 030160

WA700-3 S/N 50001-UP (KA Spec.)
EXHAUST SYSTEM(#51075-)

Item	Part No.	Part Name	Qty	Serial No.
1	428-02-21121	PIPE,EXHAUST	1	51075-



PWE8210

Ref. B0600-01A0

Page 030170

WA700-3 S/N 50001-UP (KA Spec.)

DAMPER

Item	Part No.	Part Name	Qty	Serial No.
	428-12-11005	DAMPER ASS'Y	1	50001-
1	428-12-11123	· COVER	1	50001-
2	01010-31235	· BOLT	16	50001-
3	01643-31232	· WASHER	16	50001-
4	07030-00252	· BREATHER	1	50001-
5	07030-01030	· BREATHER	1	50001-
6	07043-00211	· PLUG	1	50001-
7	428-12-11141	· SHAFT	1	50001-
8	06040-06217	· BEARING	2	50001-
9	04064-08530	· RING,SNAP	1	50001-
10	04071-00150	· RING,SNAP	1	50001-
11	428-12-11260	· SPACER	1	50001-
12	428-12-11163	· BODY,OUTER	1	50001-
	428-12-11210	· BODY ASS'Y,INNER	1	50001-
13	428-12-11152	· · BODY,INNER	1	50001-
14	428-12-11220	· · SPACER	1	50001-
15	428-12-11341	· SEAL,OIL	1	50001-
16	428-12-11351	· SEAL,OIL	1	50001-
17	428-12-11240	· COVER	1	50001-
18	01010-61035	· BOLT	6	50001-
19	01643-31032	· WASHER	6	50001-
20	428-12-11171	· FLANGE	1	50001-
21	428-12-11180	· FLANGE	1	50001-
22	01011-61215	· BOLT	16	50001-
23	01643-31232	· WASHER	16	50001-
24	428-12-12270	· RUBBER	4	50001-
25	428-12-12370	· RUBBER	4	50001-
26	01010-31645	· BOLT	6	50001-
27	01643-31645	· WASHER	6	50001-

WA700-3 S/N 50001-UP (KA Spec.)

DAMPER

Item	Part No.	Part Name	Qty	Serial No.
28	427-12-11871	GREASE,LIQUID (NOT SHOWN)	1	50001-

WA700-3 S/N 50001-UP (KA Spec.)

COOLING SYSTEM

Item	Part Name	Qty
10	RADIATOR (INNER PART?1/2)(#51075-)	1
20	RADIATOR (INNER PART?2/2)(#51075-)	1
30	RADIATOR (MOUNTING PARTS AND WATER LEVEL SENSOR)(#50001-51074)	1
40	RADIATOR (WATER LEVEL SENSOR)(#51075-)	1
50	RADIATOR (HYDRAULIC OIL COOLER AND TORQUE CONVERTER OIL COOLER)(#50001-51074)	1
60	RADIATOR (ELBOW FOR FUEL COOLER)(#51075-)	1
70	RADIATOR (ELBOW FOR FUEL COOLER)(#51001-51074)	1
80	RADIATOR (RADIATOR PIPING)(#51075-)	1
90	RADIATOR (BAFFLE) (TBG SPEC.)(#50001-51074)	1
100	RADIATOR (AFTER COOLER PIPING)(#51075-)	1
110	RADIATOR (FUEL COOLER PIPNG)(#51075-)	1
120	RADIATOR (MOUNGING PARTS)(#54075-)	1
130	RADIATOR (HYDRAULIC OIL COOLER)(#51075-)	1
140	RADIATOR (BAFFLE)(#51075-)	1
150	COOLING LINE (RADIATOR PIPING) (TBG SPEC.)(#51001-51074)	1
160	COOLING LINE (RADIATOR PIPING)(#51075-)	1
170	COOLING LINE (TORQUE CONVERTER COOLER PIPING)(#51001-51074)	1
180	COOLING LINE (TORQUE CONVERTER COOLER PIPING)(#51075-)	1
190	COOLING LINE (AFTER COOLER PIPING) (TBG SPEC.)(#51001-51074)	1
200	COOLING LINE (AFTER COOLER PIPING)(#51075-)	1
210	FAN GUARD(#51075-)	1

Thank you so much for reading.
Please click the “Buy Now!”
button below to download the
complete manual.



After you pay.

You can download the most
perfect and complete manual in
the world immediately.

Our support email:

ebooklibonline@outlook.com