



## **PARTS MANUAL**

# **SUPERCOMPACT POWERED PALLET TRUCK**

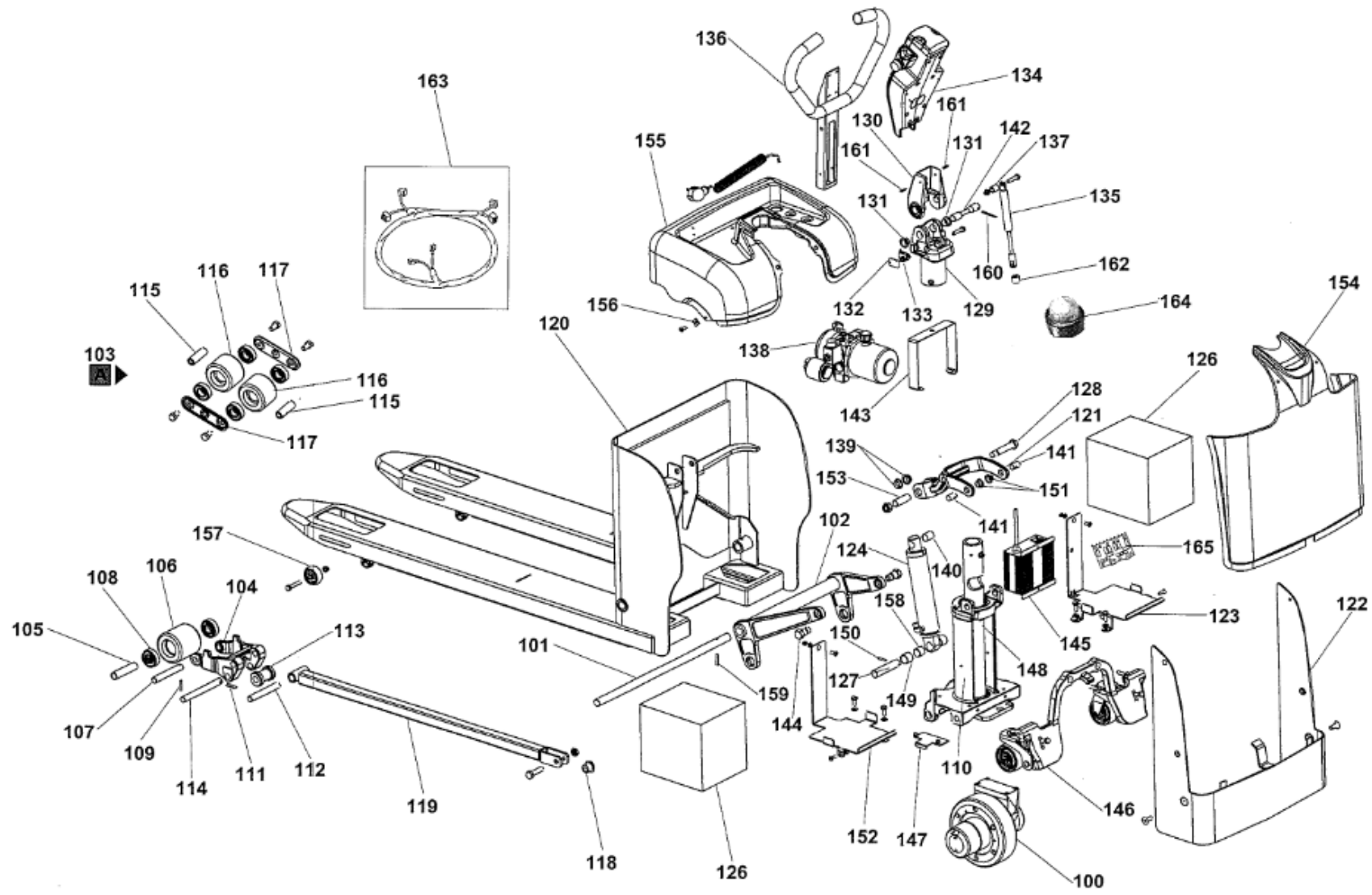
**MPSC 12**

**C840**

## SECTIONS

1. Frame.....	3
2. Lifting cylinder .....	7
3. Drive wheel group .....	9
4. Hydraulic unit .....	11
5. Control handle.....	13
6. Gear box .....	15
7. Stabilizer assembly .....	17
8. Safety switch assembly.....	19

# 1. Frame



Thank you so much for reading.  
Please click the “Buy Now!”  
button below to download the  
complete manual.



After you pay.

You can download the most  
perfect and complete manual in  
the world immediately.

Our support email:

[ebooklibonline@outlook.com](mailto:ebooklibonline@outlook.com)