

Yale

PARTS MANUAL

**GLP 030 AF, GLP 040 AF, GP 030 AF,
GP 040 AF
(B810)**



YP990096

Yale

SECTIONS

1	GENERAL TRUCK
2	ENGINE ASSEMBLY
3	EXHAUST SYSTEM
4	COOLING SYSTEM
5	FUEL SYSTEM
6	ELECTRICAL SYSTEM
7	TRANSMISSION
8	DRIVE AXLE
9	STEERING SYSTEM
10	BRAKE SYSTEM
11	HYDRAULIC SYSTEM
12	LIFTING MECHANISM
13	ATTACHMENTS AND HEADER HOSE GROUP
14	OPTIONS
15	FIELD CONVERSION KITS
16	NUMERICAL INDEX

ALPHABETICAL INDEX

DESCRIPTION	PAGE NO.
A	
ABBREVIATIONS QUICK REFERENCE SHEET	vi
AIR FILTER	
GASOLINE.....	5-22
LPG.....	5-24
ALPHABETICAL INDEX.....	i
ALTERNATOR	6-6
TYPE GS AND LPS.....	6-8
AUDIBLE ALARM.....	14-6
AUXILIARY TUBE EXTENSION KIT	15-3
B	
BACK BUZZER	15-3
BATTERY.....	6-24
BRAKE	
LEFT HAND AND RIGHT HAND.....	10-4
BRAKE LINES.....	10-6
BRAKE PEDAL LINKAGE	10-2
C	
CAMSHAFT AND VALVES.....	2-8
CARBURETOR	
GASOLINE.....	5-18
LPG	
CLOSED LOOP.....	5-14
OPEN LOOP	5-10
CARRIAGE	
SIX ROLLER	
THREE STAGE FULL FREE-LIFT	12-32
TWO STAGE FULL FREE-LIFT	12-48
TWO STAGE LIMITED FREE-LIFT	12-12
CONTROL VALVE	7-10
FOUR FUNCTION	
SINGLE RELIEF WITH OVER LOAD RELIEF VALVE	11-20
THREE FUNCTION	11-16
COOLING	4-2
COUNTERWEIGHT	1-8
CRANKSHAFT AND PISTONS.....	2-6
CYLINDER BLOCK	2-2
CYLINDER HEAD	2-4
D	
DIFFERENTIAL.....	7-8
DIRECTIONAL CONTROL PEDAL	5-36
DIRECTIONAL CONTROL PEDAL LINKAGE.....	5-34
DISTRIBUTOR	6-4
DRIVE AND TURN LIGHTS.....	14-4

GENERAL INFORMATION

DESCRIPTION	PAGE NO.
D (continued)	
DRIVE AXLE	8-2
DRIVE TIRE AND FENDER	15-2
DRIVE WHEEL AND TIRE ASSEMBLIES	
INTERMEDIATE TREAD	8-6
STANDARD TREAD.....	8-4
STUDDED RIM	8-10
WIDE TREAD	
GP/GLP 030 AF	8-8
E	
ELECTRICAL	6-2
COWL	6-18
GASOLINE AND LPG.....	6-12
TYPE GS AND LPS.....	6-16
END PLATE ASSEMBLY	7-18
ENGINE COVER AND SIDE DOORS.....	1-6
ENGINE FUEL	
GASOLINE.....	5-26
ENGINE MOUNT.....	2-14
EXHAUST	
LOW EMISSIONS.....	3-6
STANDARD.....	3-4
TYPES GS AND LPS.....	3-8
F	
FLYWHEEL.....	2-16
FORK.....	1-20
FRAME AND FLOOR PLATES.....	1-4
FREE LIFT	
THREE STAGE FULL FREE-LIFT	12-24
TWO STAGE FULL FREE-LIFT	12-40
FREE-LIFT CYLINDER	
THREE STAGE FULL FREE-LIFT	12-30
TWO STAGE FULL FREE-LIFT	12-46
FUEL	
LPG.....	5-28
FUEL SYSTEM	
LPG.....	5-6
FUEL TANK	
GASOLINE.....	5-2
LPG.....	5-4
G	
GEAR PUMP	7-16
GENERAL TRUCK	1-2
GOVERNOR	
GASOLINE AND LPG.....	5-20

DESCRIPTION	PAGE NO.
H	
HOOD LATCH KIT	1-10
HOSE TAKE-UP	
THREE STAGE FULL FREE-LIFT	
FOUR FUNCTION.....	13-24
THREE FUNCTION.....	13-20
TWO STAGE FULL FREE-LIFT	
FOUR FUNCTION.....	13-30
THREE FUNCTION.....	13-28
TWO STAGE LIMITED FREE-LIFT	
FOUR FUNCTION.....	13-18
THREE FUNCTION.....	13-16
HOSE TAKE-UP THREE STAGE FULL FREE-LIFT	15-7
HOSE TAKE-UP TWO STAGE FULL FREE-LIFT	15-8
HOSE TAKE-UP TWO STAGE LIMITED FREE-LIFT	15-6
HOW TO FIND THE DESIRED PART NUMBER.....	viii
HOW TO USE THE ILLUSTRATED PARTS MANUAL	viii
HYDRAULIC CLUTCH	7-6
HYDRAULIC CONTROL VALVE	15-2
HYDRAULIC PUMP.....	11-5
HYDRAULICS	11-2
I	
IDENTIFICATION OF ATTACHMENT AND SIDE-SHIFT CARRIAGE SERIAL NUMBERS.....	xi
IDENTIFICATION OF MAST SERIAL NUMBER	x
IDENTIFICATION OF TRUCK SERIAL NUMBER.....	ix
INNER MAST	
THREE STAGE FULL FREE-LIFT	12-18
TWO STAGE FULL FREE-LIFT	12-36
TWO STAGE LIMITED FREE-LIFT.....	12-4
INSTRUMENT CLUSTER	6-22
INTEGRAL SIDE-SHIFT CARRIAGE	
THREE STAGE FULL FREE-LIFT	13-10
TWO STAGE FULL FREE-LIFT	13-8
TWO STAGE LIMITED FREE-LIFT.....	13-6
INTEGRAL SIDE-SHIFT CYLINDER	13-12
INTEGRAL SIDE-SHIFT HYDRAULIC HOSES	
TWO STAGE FULL FREE-LIFT	
THREE STAGE FULL FREE-LIFT	13-15
TWO STAGE LIMITED FREE-LIFT.....	13-14
INTERMEDIATE	
THREE STAGE FULL FREE-LIFT	12-16
L	
LABEL AND PLATE LOCATION.....	1-17
LIFT	
TWO STAGE LIMITED FREE-LIFT.....	12-6
LIFT CYLINDER	
LEFT HAND	
TWO STAGE LIMITED FREE-LIFT	12-8

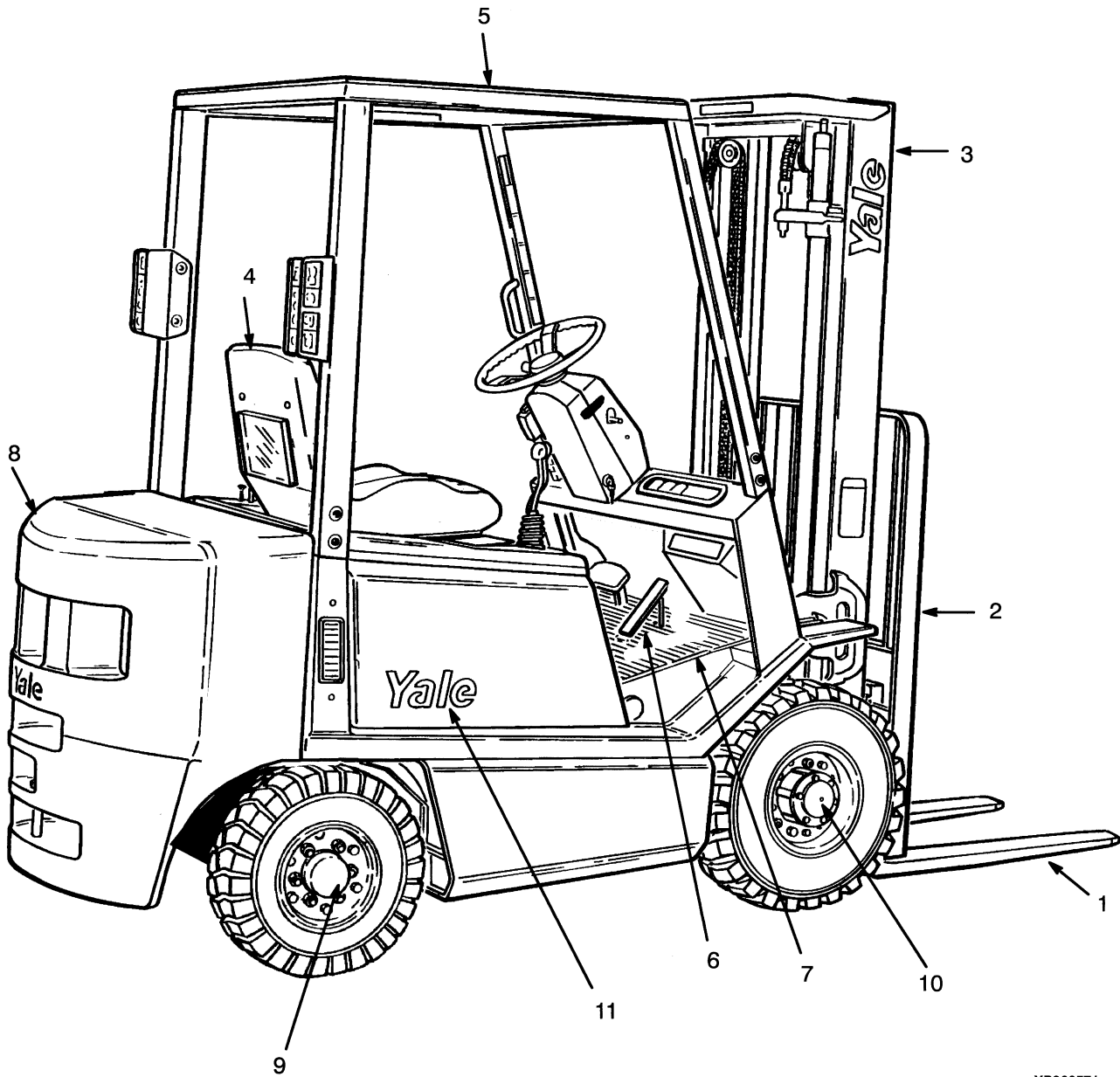
GENERAL INFORMATION

DESCRIPTION	PAGE NO.
L (continued)	
RIGHT HAND	
TWO STAGE LIMITED FREE-LIFT	12-10
LIFTING EYES	14-2
LIGHT	15-2
LOAD BACKREST EXTENSION.....	1-19
M	
MAIN CYLINDER	
LEFT HAND	
THREE STAGE FULL FREE-LIFT	12-26
TWO STAGE FULL FREE-LIFT	12-42
RIGHT HAND	
THREE STAGE FULL FREE-LIFT	12-28
TWO STAGE FULL FREE-LIFT	12-44
MAIN LIFT	
THREE STAGE FULL FREE-LIFT	12-20
TWO STAGE FULL FREE-LIFT	12-38
MANIFOLDS.....	3-2
MAST INSTALLATION.....	11-8
MASTER CYLINDER	10-8
MASTER PART SHEET CROSS-REFERENCE	xiii
MIRROR MOUNT	15-3
MISCELLANEOUS	15-4
O	
OIL PUMP AND FILTER.....	2-12
OUTER MAST	
THREE STAGE FULL FREE-LIFT	12-14
TWO STAGE FULL FREE-LIFT	12-34
TWO STAGE LIMITED FREE-LIFT.....	12-2
OVERHEAD GUARD.....	1-12
P	
PARK BRAKE LEVER	10-10
PUMP DRIVE SHAFT	8-12
R	
RADIATOR AND HOSES	4-4
REGULATOR	
CLOSED LOOP	5-16
OPEN LOOP.....	5-12
RIM AND FENDER.....	15-3
S	
SEAT	
FULL SUSPENSION	
SHEET 1 OF 2	1-24

DESCRIPTION	PAGE NO.
S (continued)	
SHEET 2 OF 2	1-28
NON-SUSPENSION	1-22
SHIFT LEVER	7-20
SIDE-SHIFT CARRIAGE	13-2
SIDE-SHIFT CYLINDER	13-4
SOLENOID VALVE	7-12
SOUND ABATEMENT	
FRAME	1-14
STARTER	
GASOLINE AND LPG	6-10
STEERING AXLE	9-4
STEERING COLUMN	9-2
STEERING CONTROL UNIT	9-6
STEERING CYLINDER	9-8
T	
TAIL LIGHTS	6-26
THROTTLE LINKAGE	
GASOLINE	5-30
LPG	5-32
TILT CYLINDER	11-6
TILT MAST 5° BACK	15-4
TIMING GEAR COVER AND OIL PAN	2-10
TIRE AND WHEEL	
STANDARD TREAD	
DRIVE WHEEL WITH STUDDERED RIM	9-12
STEER WHEEL	9-10
TRANSMISSION GEARS	7-4
TRANSMISSION HOUSING	7-2
TRANSMISSION HYDRAULIC LINES	7-14
V	
VALVE ATTACHING PARTS	
FOUR FUNCTION	11-14
THREE FUNCTION	11-10
W	
WIRE HARNESS	
COWL	6-32
ENGINE	
GASOLINE AND LPG	6-27
GASOLINE AND LPG WITH LOW EMISSIONS	6-28
LPG WITH LOW EMISSIONS TYPE "S"	6-30
SEAT SWITCH	6-34
TAIL LIGHT	6-25

**SECTION 1
GENERAL TRUCK**

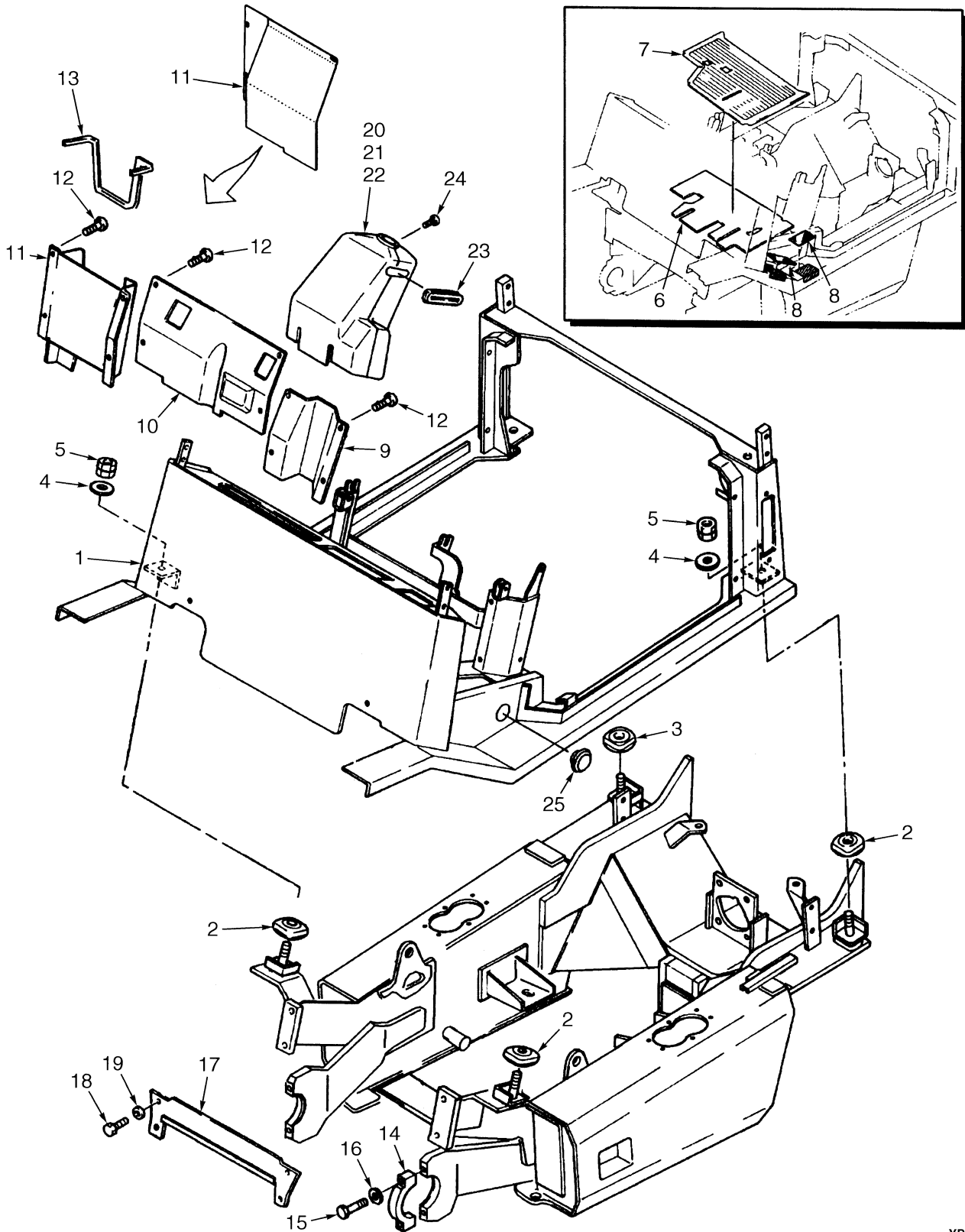
DESCRIPTION	PAGE
COUNTERWEIGHT	1-8
ENGINE COVER AND SIDE DOORS	1-6
FORK.....	1-20
FRAME AND FLOOR PLATES.....	1-4
GENERAL TRUCK	1-2
HOOD LATCH KIT	1-10
LABEL AND PLATE LOCATION.....	1-17
LOAD BACKREST EXTENSION.....	1-19
OVERHEAD GUARD.....	1-12
SEAT	
FULL SUSPENSION	
SHEET 1 OF 2	1-24
SHEET 2 OF 2	1-28
NON-SUSPENSION	1-22
SOUND ABATEMENT	
FRAME	1-14



YP260571

ITEM	PART NO.	DESCRIPTION	QTY
1	Load Fork (☞ P12154)	2
2	Load Backrest (☞ P12153)	1
3	Mast-Two Stage Limited Free-Lift (☞ P12459)	1
3	Mast-Two Stage Full Free-Lift (☞ P12472)	1
3	Mast-Three Stage Full Free-Lift (☞ P12464)	1
4	Seat (Operator) (☞ P12155, P12156, P12156)	1
5	Overhead Guard (☞ P12149)	1
6	Accelerator Pedal (☞ P12417, P12418)	1
7	Floor Plates (☞ P12145)	1
8	Counterweight (☞ P12147)	1
9	Steer Axle (☞ P12448)	1
10	Drive Axle Assembly (☞ P12437)	1
11	Label and Plate Location (☞ P12150)	AR

FRAME AND FLOOR PLATES



YP260572

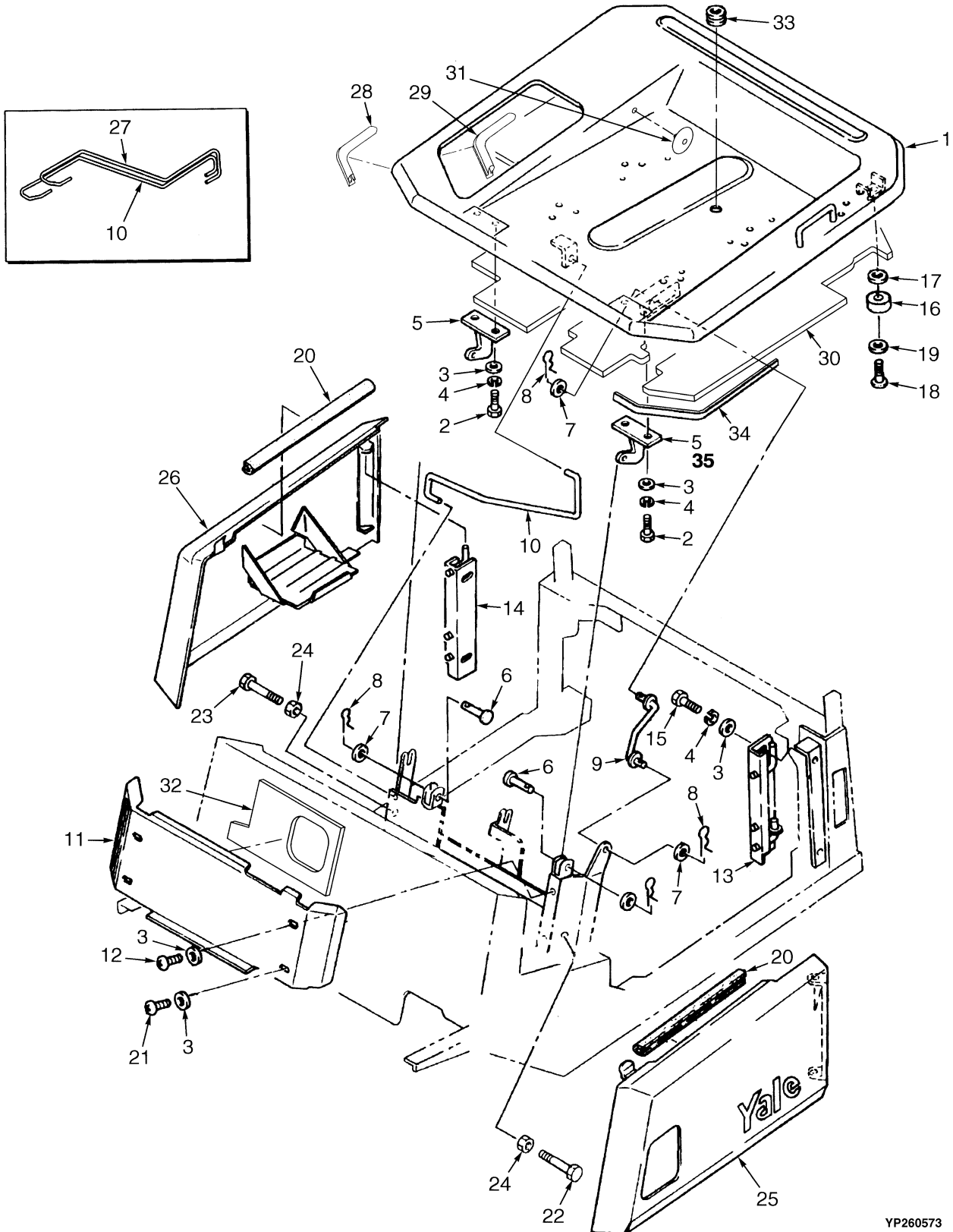
FRAME AND FLOOR PLATES

ITEM	PART NO.	DESCRIPTION	QTY
1	524141602	Module (Upper) (Standard Tread).....	1
1	524141605	Module (Upper) (Intermediate Tread)	1
1	524141606	Module (Upper) (Wide Tread)	1
2	916703300	Isulator.....	3
3	916704300	Isulator.....	1
4	909903402	Washer	4
5	907968405	Nut	4
6	c 923167401	Plate	1
6	a 926148400	Floorplate	1
7	c 752171700	Floormat	1
7	a 917936600	Floormat	1
8	909472304	Floormat	4
9	910279600	Cover (LH)	1
10	912394600	Cover	1
11	c 919970401	Cover (RH)	1
11	a 925730400	Cover (RH)	1
12	904184103	Screw.....	6
13	912291315	Trim.....	1
14	919920400	Cap	2
15	449001389	Capscrew.....	2
16	940101908	Washer	2
17	920127400	Plate	1
18	449001179	Capscrew.....	4
19	502566903	Washer	4
20	ab 915483402	Cover Assembly (Without Turn Signals)	1
20	909950602	Cover (Rear).....	1
20	909951602	Cover (Front)	1
21	a 915483403	Cover Assembly (With Turn Signals)	1
21	909950603	Cover (Rear).....	1
21	909951603	Cover (Front)	1
22	b 915483401	Cover Assembly (With Turn Signals)	1
22	909950601	Cover (Rear).....	1
22	909951601	Cover (Front)	1
23	c 921698300	Boot	1
23	a 934592300	Boot	1
24	909904403	Screw.....	5
25	920600400	Cap (Noise Reduction)	2

FOOTNOTES:

- a** Foot Directional Control Pedal
- b** Forward and Reverse Lever
- c** Shift Lever

ENGINE COVER AND SIDE DOORS



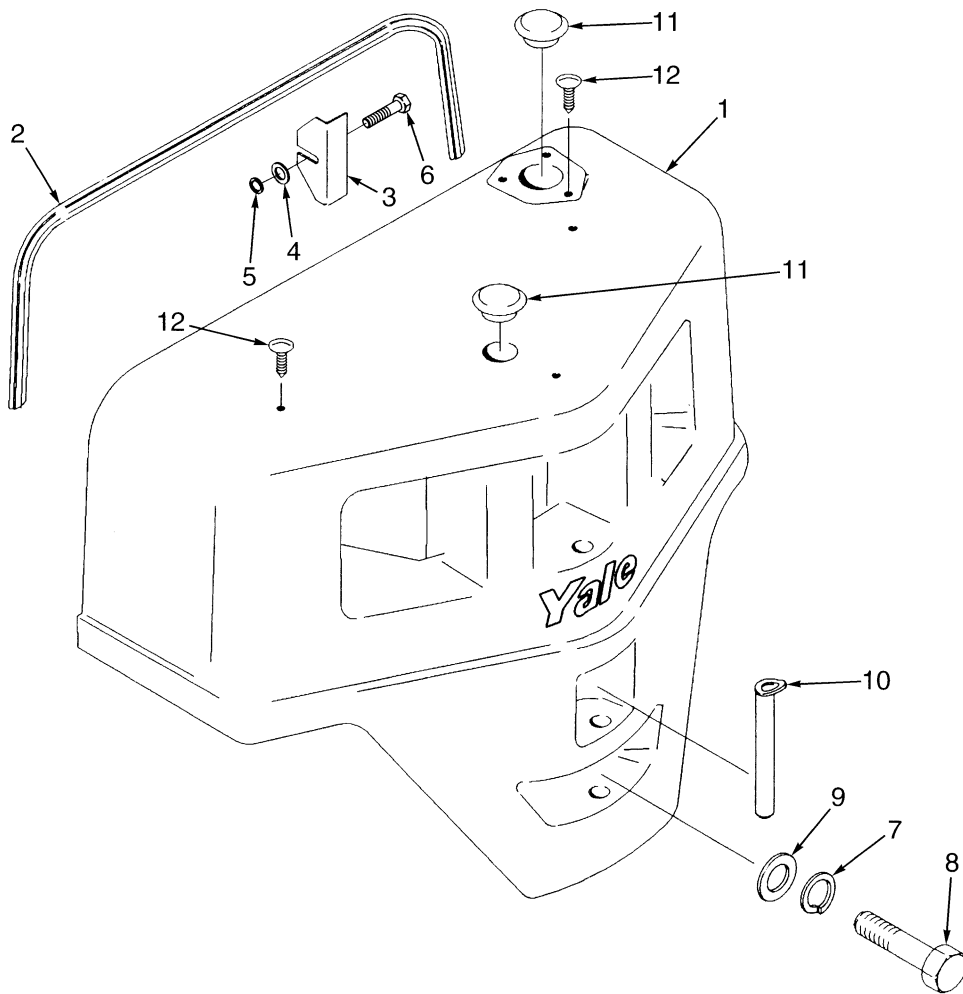
YP260573

ENGINE COVER AND SIDE DOORS

ITEM	PART NO.	DESCRIPTION	QTY
1	908594741	Cover	1
2	449001013	Capscrew.....	4
3	023604600	Washer	12
4	449022016	Lockwasher	8
5	ab 922307300	Hinge	1
5	ac 922307300	Hinge	2
6	912326300	Pin	2
7	449021006	Washer	4
8	965801908	Cotter Pin	4
9	922134300	Support.....	1
10	922650402	Spring	1
11	909835611	Plate	1
12	932729901	Capscrew.....	1
13	915340401	Hinge (LH)	1
14	915340402	Hinge (RH).....	1
15	449001415	Capscrew.....	4
16	917426300	Cushion (Rubber)	2
17	502398907	Washer	AR
18	932729907	Capscrew.....	2
19	449021001	Washer	2
20	912291312	Trim.....	2
21	932729903	Capscrew.....	3
22	449001073	Capscrew.....	1
23	909910404	Bolt	1
24	449015014	Nut	2
25	911833613	Door (LH) (GAS).....	1
25	911833614	Door (LH) (LPG)	1
26	912685612	Door (RH)	1
27	922650401	Spring (Low Rider Seat)	1
28	923179401	Strip	1
29	923179404	Strip	1
30	905030703	Pad	1
31	916971301	Clip (Liner)	8
32	925992301	Pad (Front Plate)	1
33	014195600	Grommet.....	1
34	a 919661401	Moulding.....	1
35	ab 524148688	Hinge	1

FOOTNOTES:

- a** Engine Cover
- b** ⇒ S/N PENDING PER ECN 73723-03
- c** S/N PENDING PER ECN 73723-03 ⇒

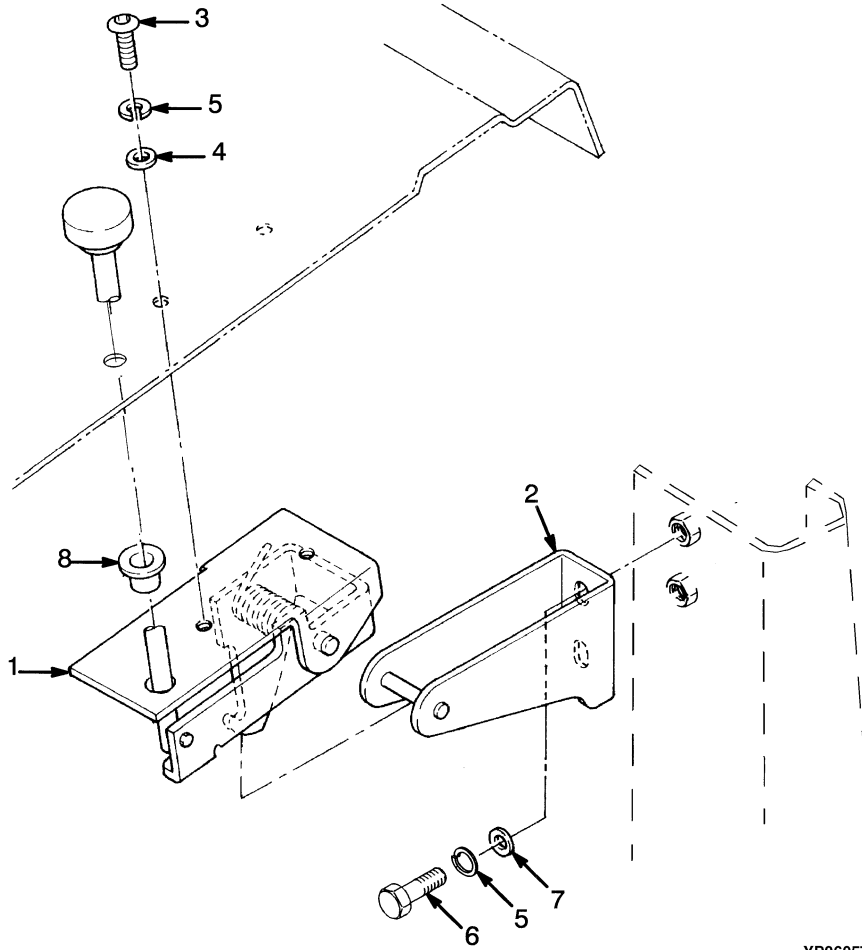


YP260574

COUNTERWEIGHT

ITEM	PART NO.	DESCRIPTION	QTY
1	905319700	Counterweight (GP/GLP 030 AF)	1
1	905321700	Counterweight (GP/GLP 040 AF)	1
2	900008252	Seal	1
3	922410300	Shim	AR
4	504226242	Washer	4
5	449022016	Lockwasher	4
6	449001415	Capscrew.....	4
7	955400911	Lockwasher	2
8	449001405	Capscrew.....	2
9	910590100	Washer	2
10	924230300	Pin	1
11	917595300	Cap	1
12	504240785	Fastener	3

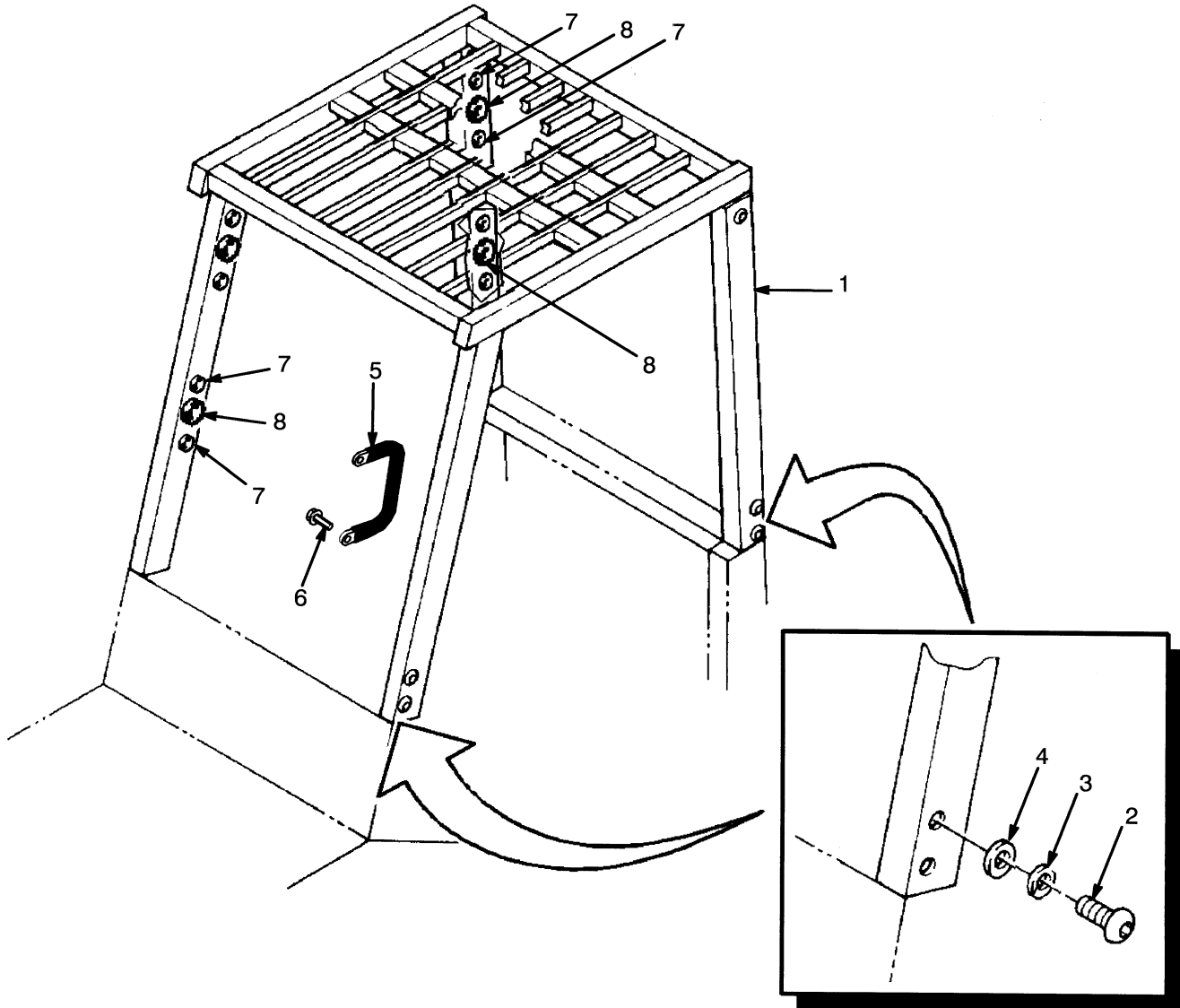
HOOD LATCH KIT



YP260575

ITEM	PART NO.	DESCRIPTION	QTY
1	923532400	Arm.....	1
2	923533400	Hook Assembly.....	1
3	932729907	Capscrew.....	2
4	023604600	Washer	2
5	449022016	Lockwasher	4
6	449001013	Capscrew.....	2
7	502566901	Washer	2
8	912630306	Bushing	1

OVERHEAD GUARD

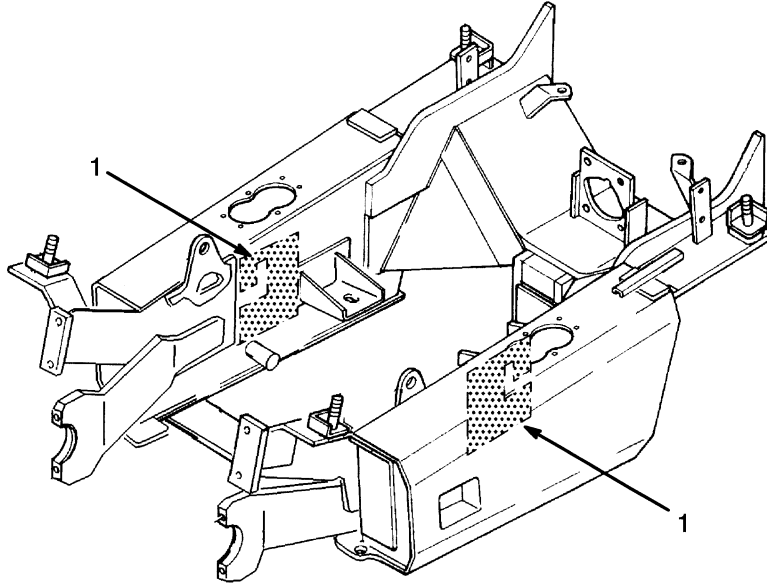


YP260576

OVERHEAD GUARD

ITEM	PART NO.	DESCRIPTION	QTY
1	524145332	Overhead Guard (Raised Height)	1
1	914933600	Overhead Guard.....	1
1	925991301	Pad	2
2	932731905	Bolt	8
3	449022017	Lockwasher	8
4	904310409	Washer	8
5	900001242	Handle	1
6	504060774	Screw.....	2
7	504241782	Plug	12
8	504241783	Plug	5

**SOUND ABATEMENT
(FRAME)**



YP260577

ITEM	PART NO.	DESCRIPTION	QTY
1	92591301	Pad	2

Thank you so much for reading.
Please click the “Buy Now!”
button below to download the
complete manual.



After you pay.

You can download the most
perfect and complete manual in
the world immediately.

Our support email:

ebooklibonline@outlook.com