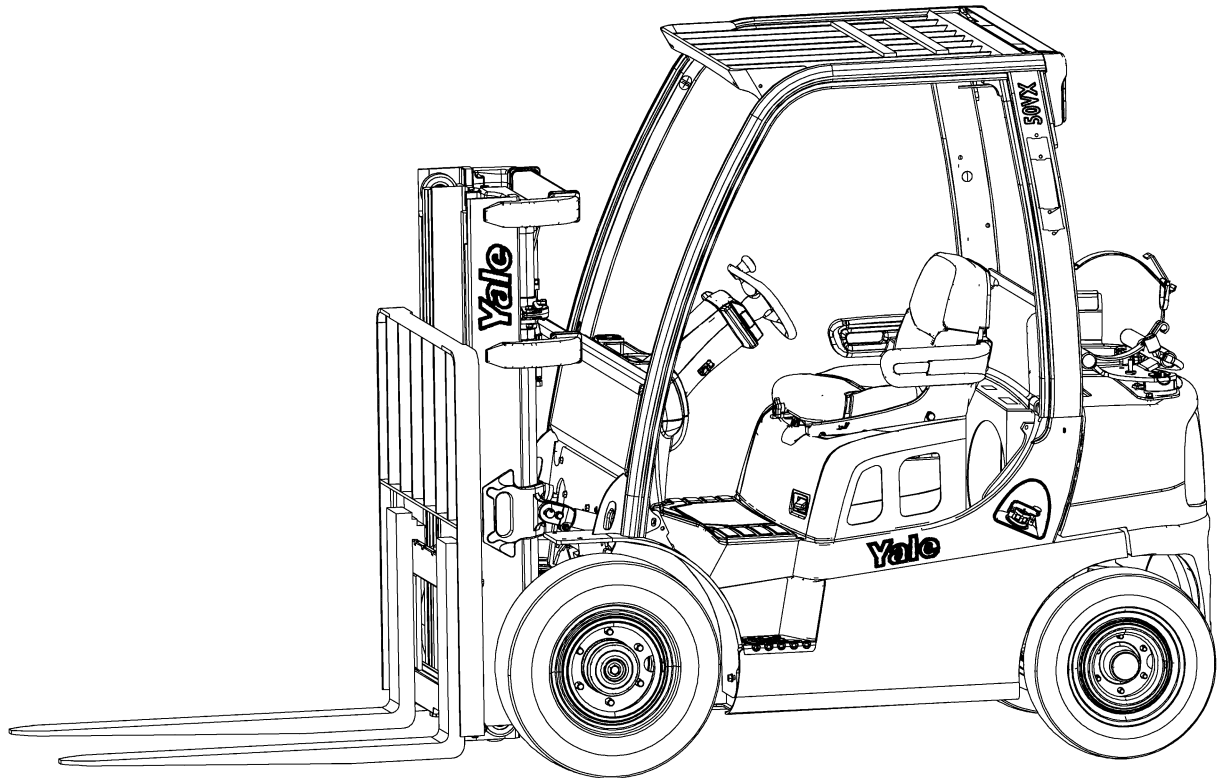




# PARTS MANUAL

**GP/GLP/GDP040VX-GP/GLP/GDP070VX**

**(B875)**



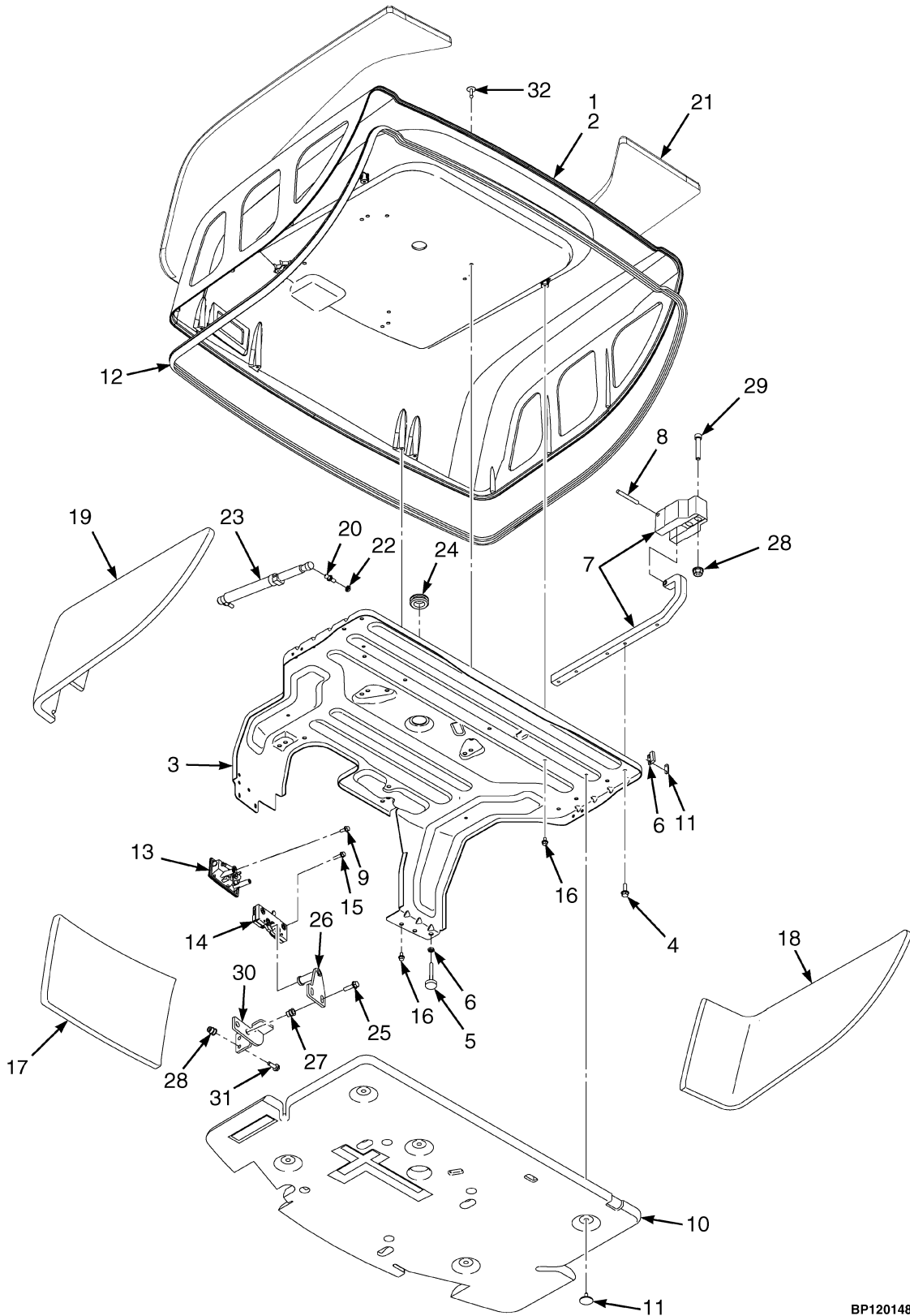
YP990149

<b>1</b>	<b>GENERAL TRUCK</b>
<b>2</b>	<b>ENGINE ASSEMBLY</b>
<b>3</b>	<b>EXHAUST SYSTEM</b>
<b>4</b>	<b>COOLING SYSTEM</b>
<b>5</b>	<b>FUEL SYSTEM</b>
<b>6</b>	<b>ELECTRICAL SYSTEM</b>
<b>7</b>	<b>TRANSMISSION</b>
<b>8</b>	<b>DRIVE AXLE</b>
<b>9</b>	<b>STEERING SYSTEM</b>
<b>10</b>	<b>BRAKE SYSTEM</b>
<b>11</b>	<b>HYDRAULIC SYSTEM</b>
<b>12</b>	<b>LIFTING MECHANISM</b>
<b>13</b>	<b>ATTACHMENTS AND HEADER HOSE GROUP</b>
<b>14</b>	<b>OPTIONS</b>
<b>15</b>	<b>FIELD CONVERSION KITS</b>
<b>16</b>	<b>NUMERICAL INDEX</b>

**SECTION 1  
GENERAL TRUCK**

DESCRIPTION	PAGE
CAB	
ASSEMBLY AND ATTACHING PARTS .....	1-16
FRAME AND ATTACHING PARTS .....	1-18
INTERIOR PANELS .....	1-20
LH DOOR.....	1-22
RH DOOR AND HEATER ASSEMBLY .....	1-24
WINDOWS AND WINDOW WIPER SYSTEM .....	1-30
CAB DOORS	
PVC.....	1-28
CONTROL LEVER LABELS.....	1-56
COUNTERWEIGHTS .....	1-12
COWL MOUNT.....	1-10
ELECTRONIC LEVER LABELS	
AUXILIARY DUAL FUNCTION .....	1-60
AUXILIARY SINGLE FUNCTION.....	1-58
FENDER EXTENSIONS.....	1-8
FLOORPLATES AND COVERS .....	1-4
FORKS .....	1-66
OPTIONAL.....	1-67
FULL SUSPENSION SEAT	
WITH AND WITHOUT ELECTRONIC CONTROLS	
D/B 07/2006⇒.....	1-48
S/N B875B1401⇔S/N B875B1501 .....	1-44
S/N B875B1501⇒ D/B 07/2006.....	1-46
FULL SUSPENSION SWIVEL SEAT	
WITH AND WITHOUT ELECTRONIC CONTROLS	
D/B 07/2006⇒.....	1-50
HOOD ASSEMBLY.....	1-2
JOYSTICK LABELS.....	1-62
WITH RETURN TO SET TILT .....	1-64
LABELS	
EXTERIOR.....	1-52
INTERIOR.....	1-54
LOAD BACKREST EXTENSION.....	1-68
NON-SUSPENSION SEAT	
WITHOUT ELECTRONIC CONTROLS	
S/N B875B1401⇔S/N B875B1501 .....	1-34
S/N B875B1501⇒ .....	1-36
OVERHEAD GUARD.....	1-14
SEMI-SUSPENSION SEAT	
WITH AND WITHOUT ELECTRONIC CONTROLS .....	1-42
S/N B875B1401⇔S/N B875B1501 .....	1-38
S/N B875B1501⇒ D/B 07/2006.....	1-40
WEATHER PROTECTION.....	1-32

HOOD ASSEMBLY



BP120148

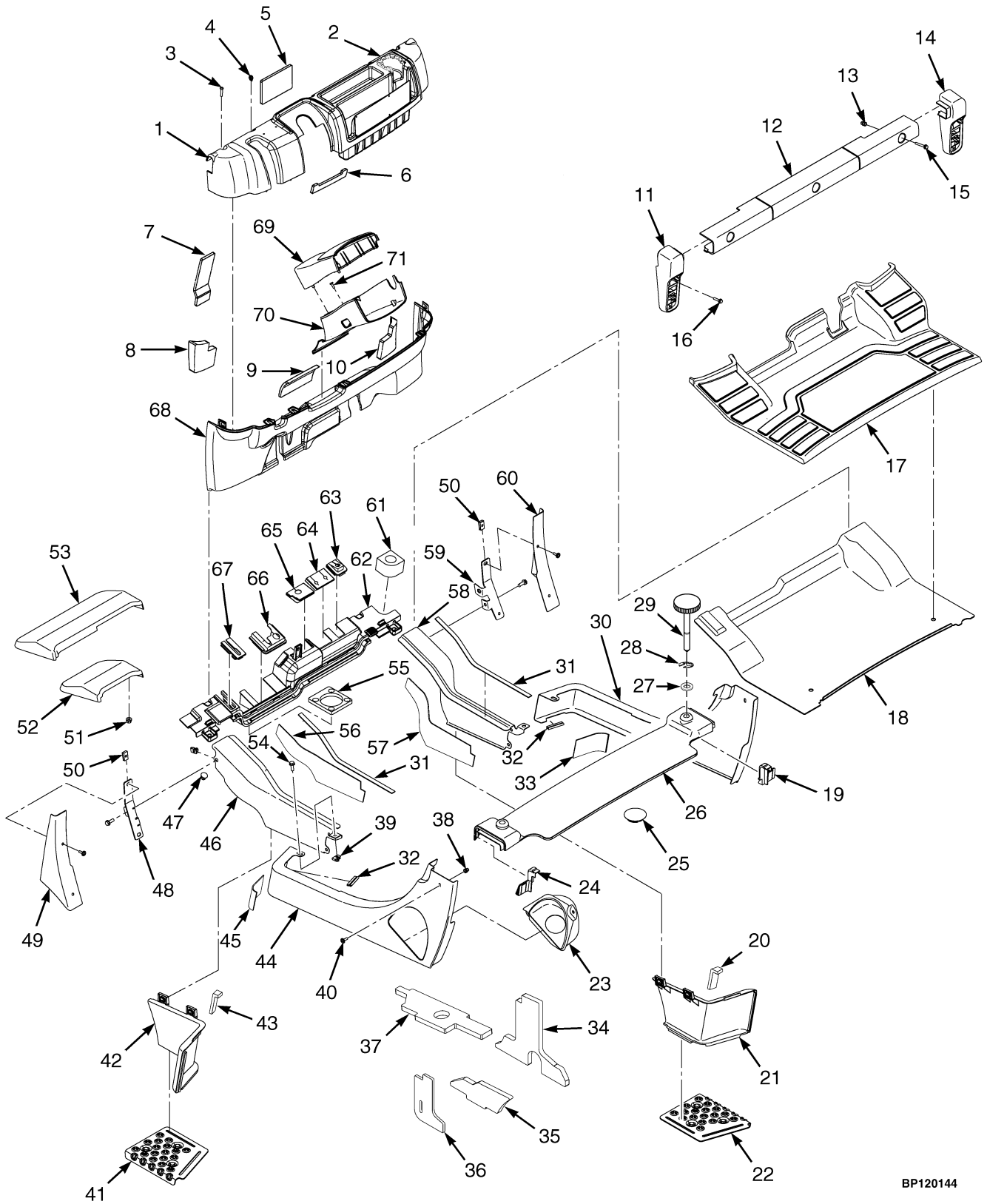
HOOD ASSEMBLY

ITEM	PART NO.	DESCRIPTION	QTY
1	<b>a</b> 524256519	Hood Assembly .....	1
1	524256522	Hood Assembly (Vented) .....	1
1	<b>b</b> 524256520	Hood Assembly .....	1
2	<b>a</b> 524256518	Hood (Low Noise) .....	1
2	<b>b</b> 524256515	Hood .....	1
2	524236617	Hood (Vented) .....	1
3	580063960	Reinforcement Assembly .....	1
4	580030966	Capscrew .....	8
5	580058383	Bumper (Hood) .....	2
6	580004592	Nut .....	4
7	580057608	Hinge Assembly .....	2
8	580063963	Pin .....	2
9	580049011	Capscrew .....	2
10	580070139	Liner .....	1
11	518793609	Fastener .....	4
12	580056851	Seal .....	1
13	580056434	Handle .....	1
14	580056433	Latch Rotor .....	1
15	580049840	Capscrew .....	4
16	580039900	Capscrew .....	6
17	<b>a</b> 580065322	Liner (Front Panel) (Low Noise) .....	1
18	<b>a</b> 580065323	Liner (LH Panel) (Low Noise) .....	1
19	<b>a</b> 580065324	Liner (RH Panel) (Low Noise) .....	1
20	<b>b</b> 580049915	Ball Stud .....	4
20	<b>a</b> 580049915	Ball Stud .....	3
20	<b>a</b> 580064627	Ball Stud .....	1
21	580066308	Sound Liner .....	1
22	580004592	Nut .....	2
23	<b>b</b> 580056664	Gas Spring .....	2
23	<b>a</b> 580066569	Gas Spring (Left Hand) .....	1
23	<b>a</b> 580066568	Gas Spring (Right Hand) .....	1
24	580051832	Grommet .....	1
25	580049229	Capscrew .....	2
26	580057238	Striker Bolt .....	1
27	580027572	Nut .....	4
28	580044862	Insert .....	4
29	932202911	Capscrew .....	4
30	580070017	Bumper Rest .....	1
31	580056815	Capscrew .....	2
32	580049758	Fastener .....	8
33	580044861	Insert .....	2
	580058137	Plug (Not Illustrated) .....	1

**FOOTNOTES:**

- a** With Cab
- b** With Overhead Guard

FLOORPLATES AND COVERS



BP120144

FLOORPLATES AND COVERS

KEY:

A: With Cab

B: With Overhead Guard

ITEM	PART NO.	DESCRIPTION	QTY	
			A	B
1	580052911	Dash Assembly (Manual Valve).....	1	1
1	580052912	Dash Assembly (Electronic Valve).....	1	1
2	580052409	Cup Holder.....	1	1
3	932728908	Capscrew.....	5	5
4	580046139	Clip.....	6	6
5	580068007	Sound Liner.....	1	..
6	580067860	Sound Liner.....	1	..
7	580067861	Sound Liner.....	1	..
8	580067852	Sound Liner.....	1	..
9	580067859	Sound Liner.....	1	..
10	580067858	Sound Liner.....	1	..
11	580037205	Tail Light Base (LH).....	1	1
12	580050625	Cover (Rear).....	..	1
13	580044859	Insert.....	..	8
13	580044859	Insert.....	5	..
14	580037206	Tail Light Base (RH).....	1	1
15	580041711	Capscrew.....	3	3
16	580058212	Capscrew.....	4	4
17	580052735	Floormat.....	1	1
18	580053622	Floor Plate.....	1	1
19	580049836	Plate (RH).....	1	1
20	580061746	Seal (RH).....	1	1
21	524220654	Panel (Step) (RH).....	1	1
22	580049836	Plate (RH).....	1	1
23	524149438	Splash Shield (Gasoline and Diesel).....	1	1
24	580049835	Plate (LH).....	1	1
25	925776402	Cap (LPG).....	1	1
26	524195754	Radiator Cover Assembly.....	..	1
26	580061815	Seal (LH).....	..	1
26	580061814	Seal (RH).....	..	1
27	449021001	Washer.....	..	2
28	507353800	Snap Ring.....	..	2
29	580058734	Screw.....	..	2
30	524177726	Panel (Rear) (RH).....	1	1
31	580050773	Seal.....	2	2
32	580056224	Trim Seal.....	2	2
33	580061747	Damping Sheet (RH Rear Panel).....	1	1
34	580065318	Sound Liner.....	1	..
35	580065320	Sound Liner.....	1	..
36	580065319	Sound Liner.....	1	..
37	580065316	Sound Liner.....	1	..
38	580041704	Insert.....	6	6
39	580026621	Clip Nut (Gasoline and Diesel).....	23	23
39	580026621	Clip Nut (LPG).....	21	21
40	524180729	Screw.....	6	6
41	580049835	Plate (LH).....	1	1

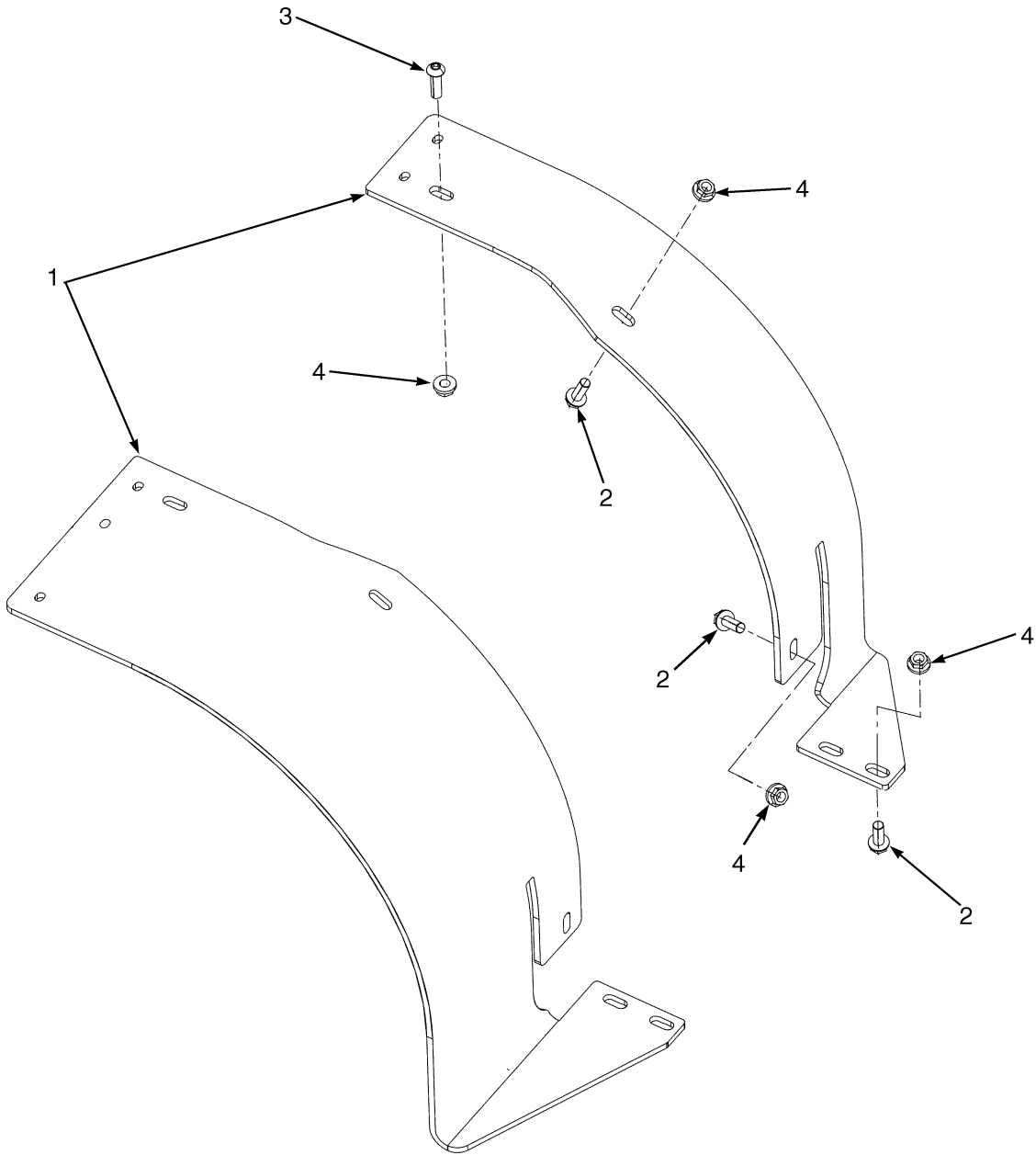
FLOORPLATES AND COVERS

ITEM	PART NO.	DESCRIPTION	QTY	
			A	B
42	524220653	Panel (Step) (LH).....	1	1
43	580061184	Seal (LH) (LH) .....	1	1
44	524177724	Panel (Rear) (LH, Gasoline and Diesel) .....	1	1
44	524177725	Panel (Rear) (LH, LPG) .....	1	1
45	580061749	Damping Sheet (LH Rear Panel).....	1	1
46	524188741	Panel (Front) (LH).....	1	1
47	524224752	Plug .....	4	4
48	580059333	Bracket (LH) (Fender Cover) .....	1	1
49	524211381	Cover (LH Fender).....	1	1
50	505970526	Nut (Foldover).....	4	4
51	580042963	Lock Nut (Standard Tread, Wide Tread) .....	4	4
51	580042963	Lock Nut (Dual Tread).....	6	6
52	580050478	Mud Guard (Standard Tread).....	2	2
53	580051156	Mud Guard (LH, Wide Tread) .....	1	1
53	580051157	Mud Guard (RH, Wide Tread).....	1	1
53	580051174	Mud Guard (LH, Dual Tread) .....	1	1
53	580051390	Mud Guard (RH, Dual Tread).....	1	1
54	580056815	Capscrew (Gasoline and Diesel) .....	23	23
54	580056815	Capscrew (LPG) .....	21	21
55	580054552	Seal (Wet Brake) .....	1	1
55	580054667	Seal (Dry Brake).....	1	1
56	580061748	Damping Sheet (LH Front Panel) .....	1	1
57	580061189	Damping Sheet (RH Front Panel).....	1	1
58	524188746	Panel (RH Front).....	1	1
59	580059332	Bracket (RH) (Fender Cover).....	1	1
60	524211382	Cover (RH Fender) .....	1	1
61	580038033	Grommet (RH).....	1	1
62	580068694	Seal Plate .....	1	1
62	580046075	Seal .....	1	1
63	580050979	Seal .....	1	..
64	580026351	Seal (Manual Valve) .....	1	..
64	580046391	Seal (Electronic Valve) .....	1	..
65	580046350	Seal (Manual Valve) .....	1	..
65	580046392	Seal (Electronic Valve) .....	1	..
66	580046349	Seal .....	1	..
67	580046348	Seal .....	1	..
68	580053149	Kick Panel (Single Brake Pedal) .....	1	1
69	580053150	Kick Panel (Dual Brake Pedal).....	1	1
70	580046138	Cover (Steering Column) (Lower).....	1	1
70	580046143	Cover (Steering Column) (Upper).....	1	1
71	909904403	Screw.....	2	2
	524238067	Underbelly Shield (Not Illustrated).....	1	1





FENDER EXTENSIONS

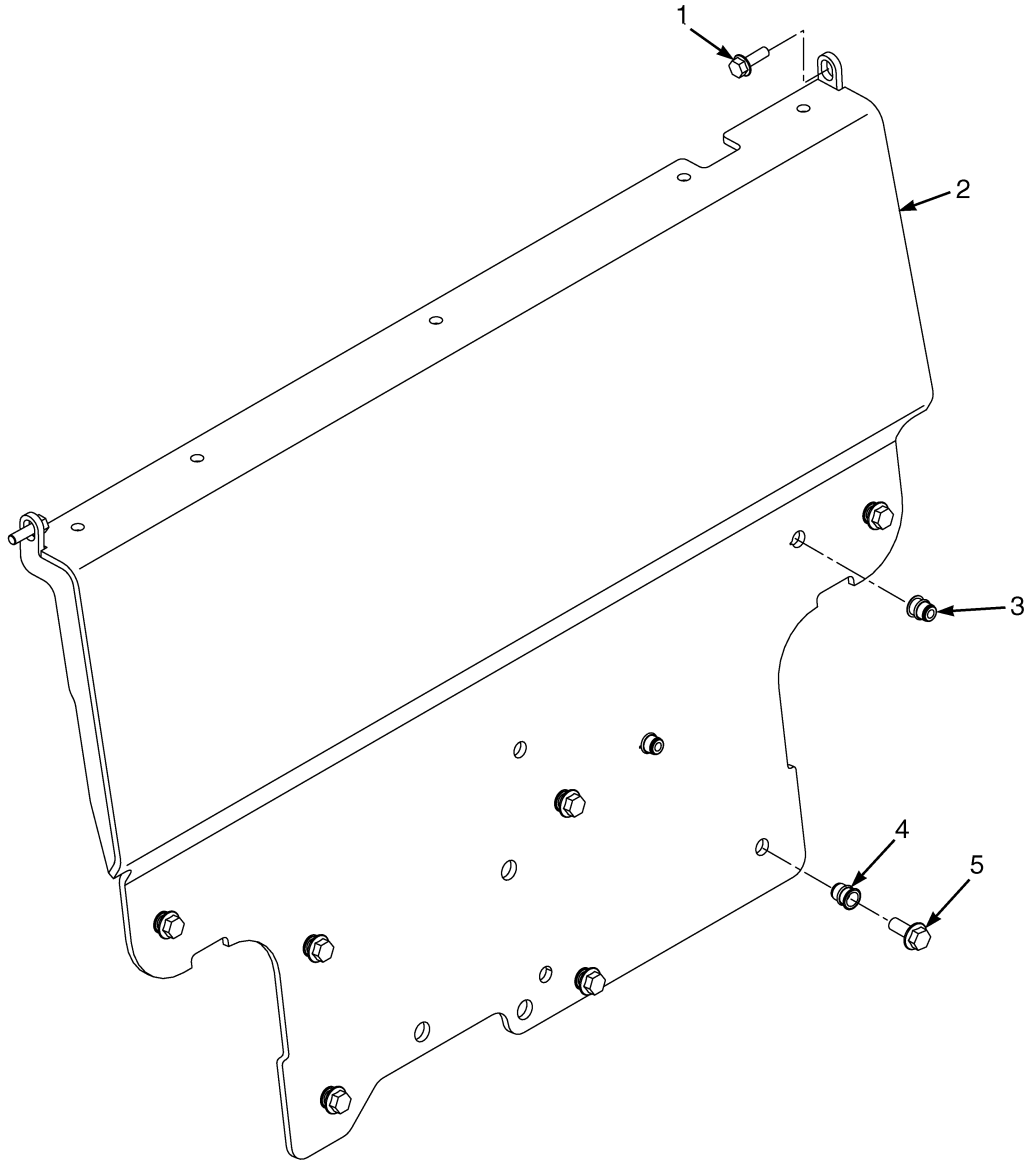


HP120835

## FENDER EXTENSIONS

ITEM	PART NO.	DESCRIPTION	QTY
1	524210176	Fender (Wide Tread) (LH).....	1
1	524210178	Fender (Dual Tread) (LH) .....	1
1	524210177	Fender (Wide Tread) (RH) .....	1
1	524210179	Fender (Dual Tread) (RH).....	1
2	580058271	Capscrew.....	8
3	932731908	Capscrew.....	2
4	580058192	Nut.....	10

COWL MOUNT

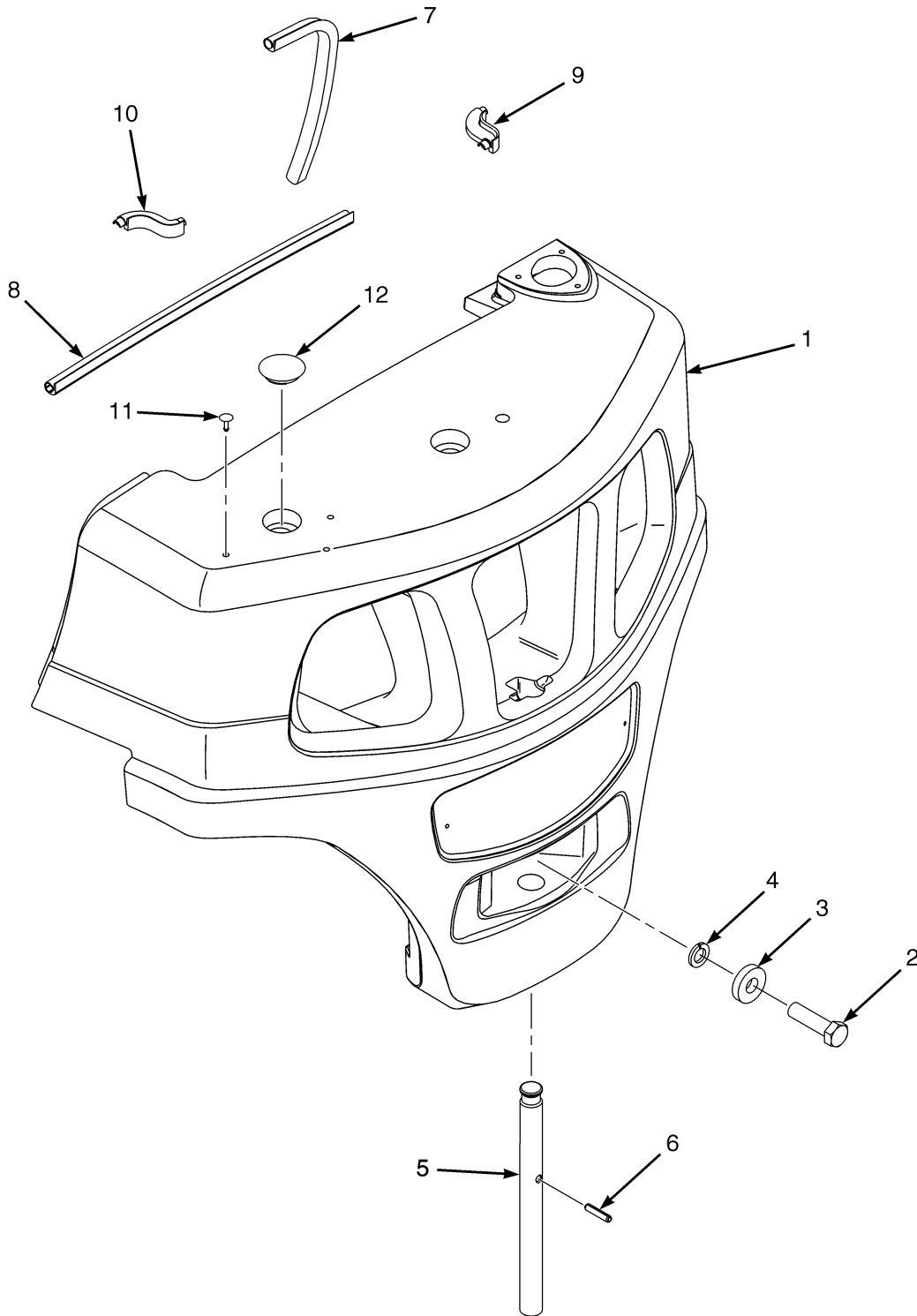


HP120730

ITEM	PART NO.	DESCRIPTION	QTY
1	580056815	Capscrew.....	2
2	524230676	Cowl.....	1
3	580044860	Insert .....	2
4	580074879	Insert .....	7
5	580064483	Capscrew.....	7



COUNTERWEIGHTS



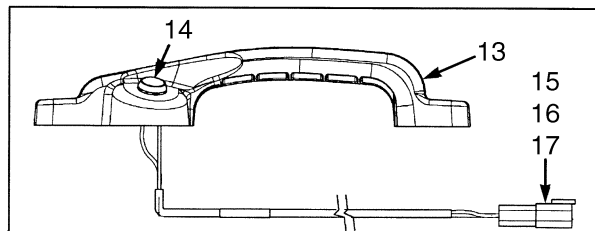
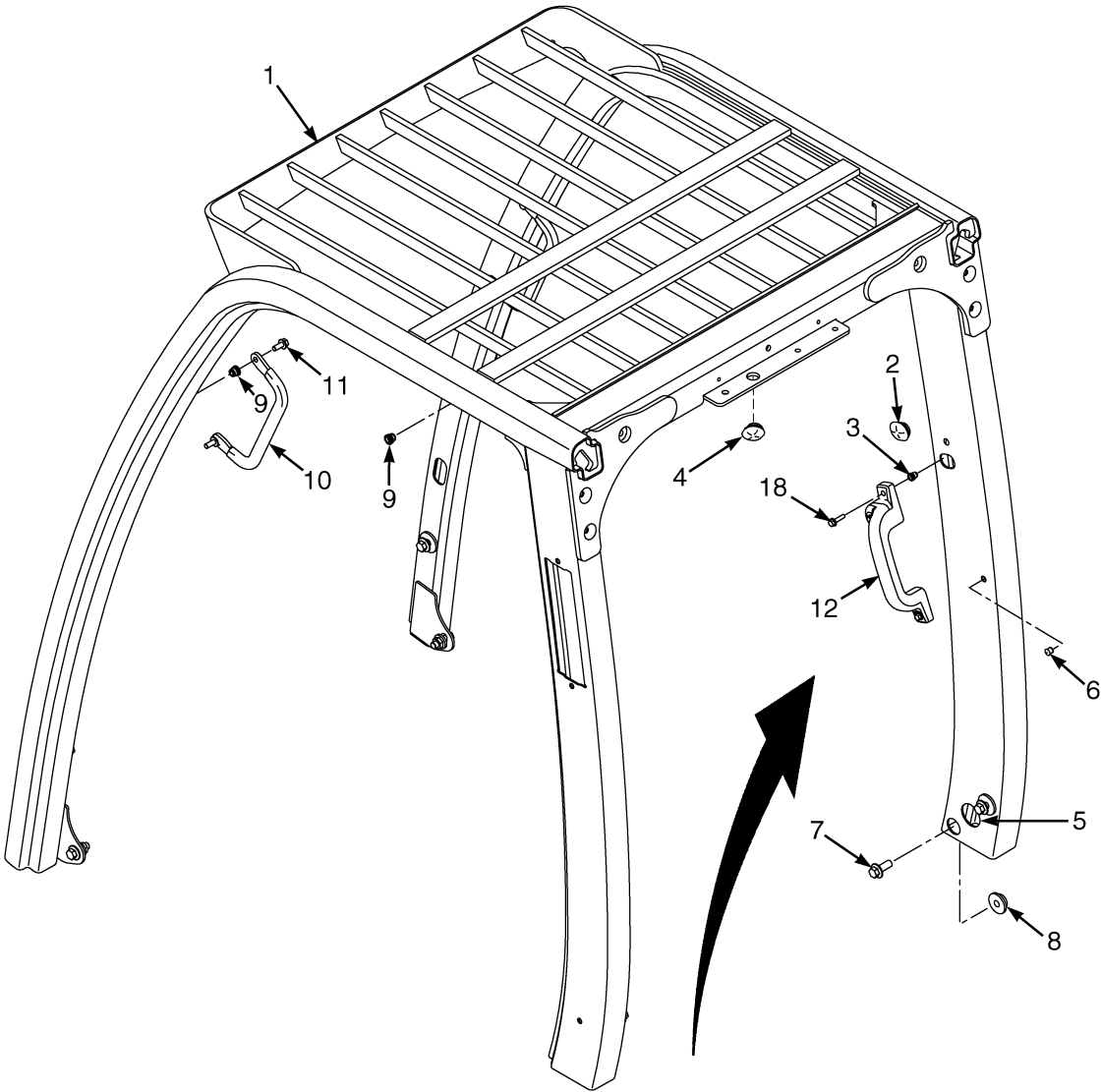
COUNTERWEIGHTS

ITEM	PART NO.	DESCRIPTION	QTY
1	524181656	Counterweight (40VX) .....	1
1	524181657	Counterweight (50VX) .....	1
1	524181658	Counterweight (60VX) .....	1
1	524181660	Counterweight (70VX) .....	1
1	<b>c</b> 524238063	Counterweight (60VX) .....	1
2	<b>a</b> 449001399	Capscrew (4 in.) .....	1
2	<b>b</b> 449001295	Capscrew (6 in.) .....	1
3	580002019	Washer .....	1
4	955400911	Lockwasher .....	1
5	580063959	Pin .....	1
6	449034061	Pin .....	1
7	580059365	Seal (Counterweight).....	1
8	580059366	Seal (Counterweight) (Top).....	1
9	580059363	Seal (RH).....	1
10	580059364	Seal (LH) .....	1
11	504240785	Fastener .....	4
12	925776402	Cap.....	2

**FOOTNOTES:**

- a** 40VX
- b** 50-70VX
- c** Use with Short Wheel Base.

OVERHEAD GUARD





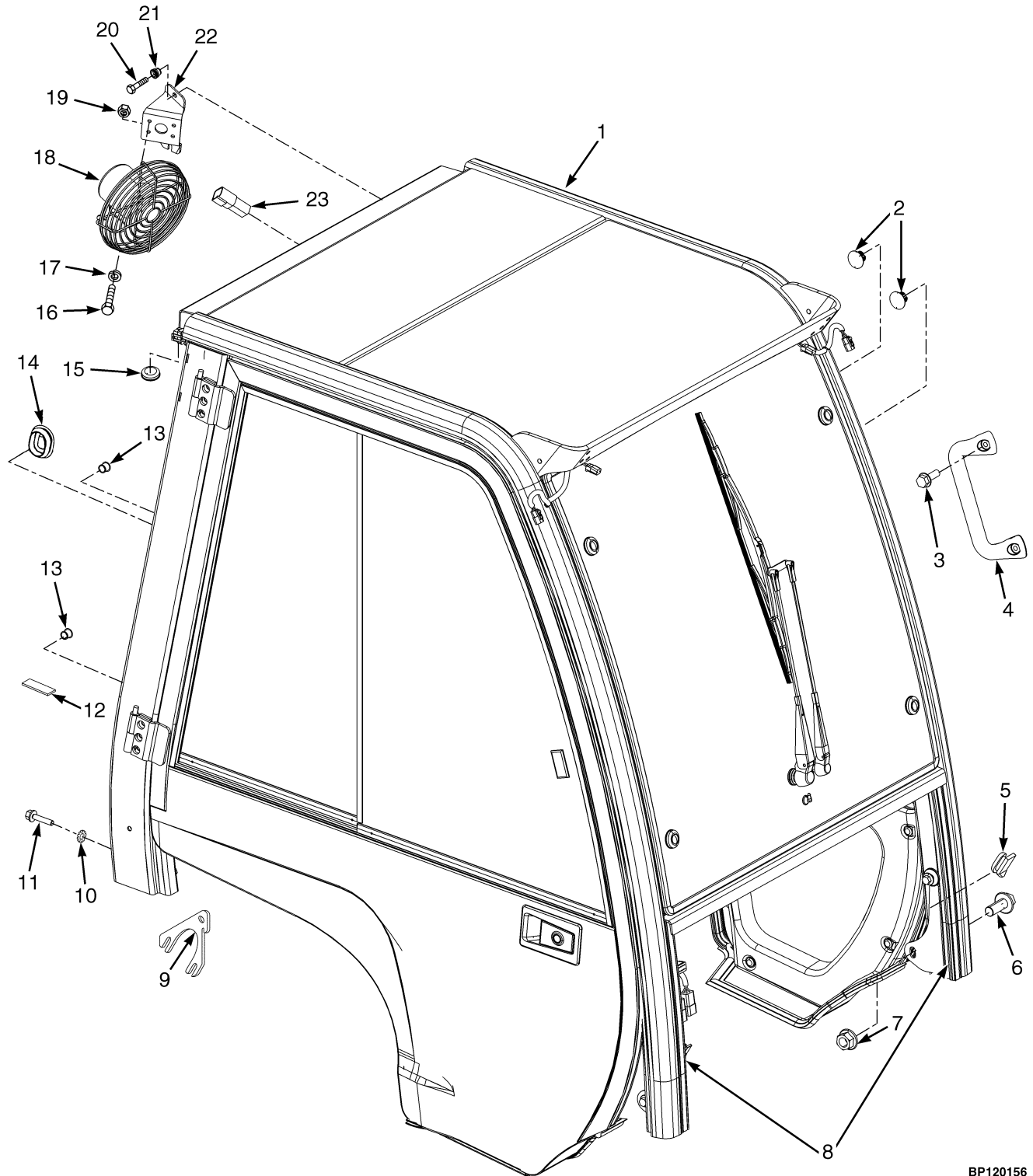
OVERHEAD GUARD

ITEM	PART NO.	DESCRIPTION	QTY
1	524240423	Overhead Guard (High) .....	1
1	524240429	Overhead Guard (Low) .....	1
2	524201323	Grommet.....	2
3	580041704	Insert .....	2
4	524208883	Grommet.....	1
5	580036667	Grommet.....	1
6	258979300	Plug .....	4
7	580056667	Capscrew (M12 x 1.75 x 35).....	8
7	580051941	Capscrew (M12 x 1.75 x 40 Optional) .....	8
8	580056528	Nut.....	2
9	580044861	Insert .....	4
10	580056526	Handle (Grab).....	1
11	580056815	Capscrew.....	2
12	580051747	Handle Assembly (RH, Rear) .....	1
13	580050959	Handle.....	1
14	580058447	Switch (Horn) .....	1
15	580022893	Connector.....	1
16	505968540	Secondary Lock .....	1
17	505968514	Terminal (Pin).....	2
18	580058212	Capscrew.....	2
	a 524240692	Plug .....	1
	a 524230460	Label (Veracitor 40VX RH) .....	1
	a 524230461	Label (Veracitor 50VX RH) .....	1
	a 524230463	Label (Veracitor 60VX RH) .....	1
	a 524230464	Label (Veracitor 70VX RH) .....	1
	a 524230455	Label (40VX LH).....	1
	a 524230456	Label (50VX LH).....	1
	a 524230458	Label (60VX LH).....	1
	a 524230459	Label (70VX LH).....	1

**FOOTNOTES:**

a Not Illustrated

**CAB  
(ASSEMBLY AND ATTACHING PARTS)**



BP120156

**CAB  
(ASSEMBLY AND ATTACHING PARTS)**

**KEY:**

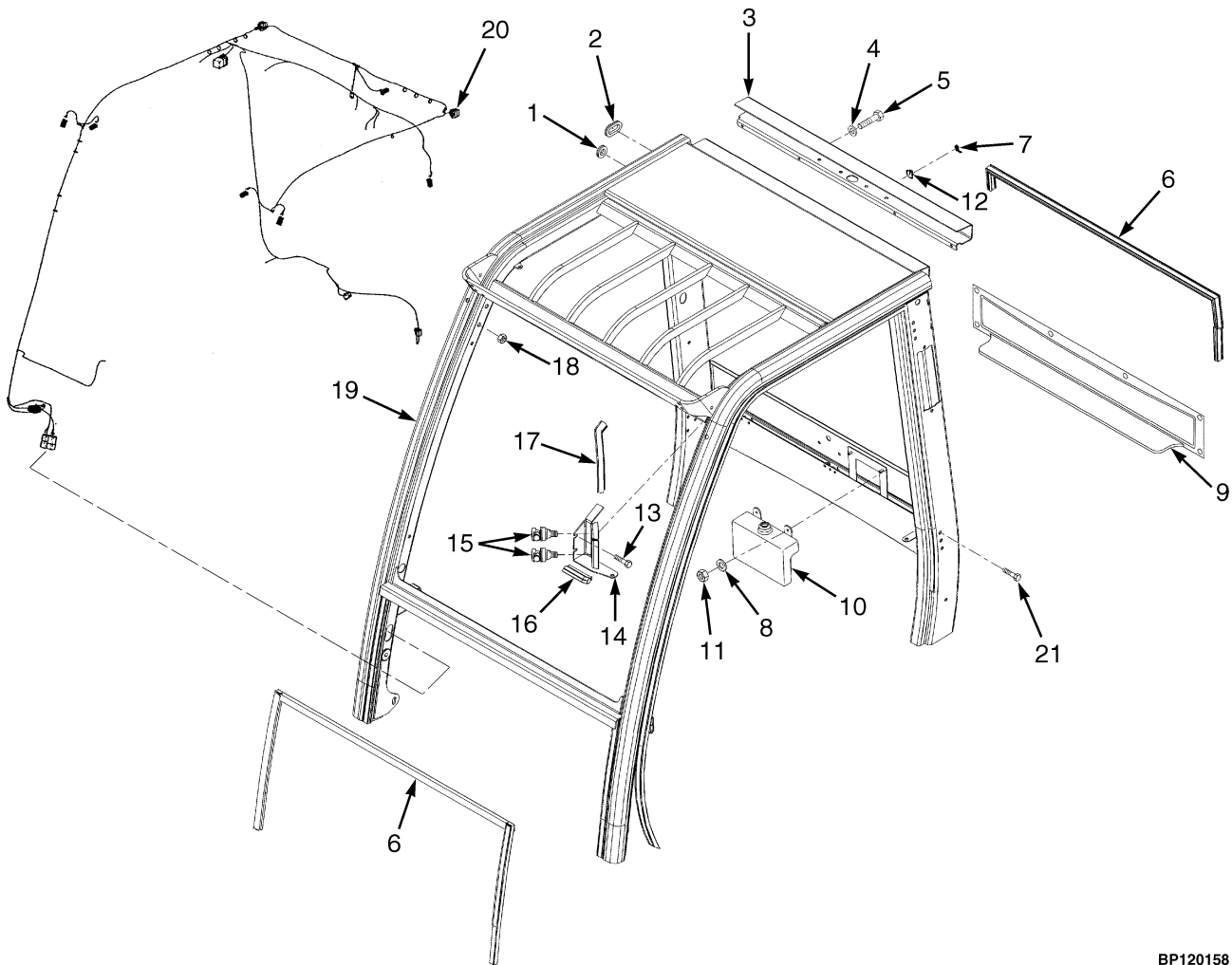
- A: With Steel Doors**
- B: With PVC Doors**

ITEM	PART NO.	DESCRIPTION	QTY	
			A	B
1	524275519	Cab Assembly (With Steel Doors) .....	1	..
1	524275698	Cab Assembly (With PVC Doors) .....	..	1
2	580059493	Plug .....	6	8
3	580056815	Capscrew .....	8	4
4	580056526	Handle (Grab) .....	1	1
5	580059127	Seal .....	2	2
6	580056667	Capscrew .....	8	8
7	580056528	Nut.....	2	2
8	580066768	Seal .....	1	2
9	580073550	Shim .....	AR	AR
10	940400907	Lockwasher .....	6	6
11	580023890	Capscrew .....	6	6
12	580067787	Seal (LH) .....	1	1
12	580067788	Seal (RH) .....	1	1
13	258979300	Plug .....	4	2
14	524240692	Plug .....	1	1
15	524208883	Grommet .....	1	1
16	580051168	Screw .....	4	..
17	449022019	Lockwasher .....	4	..
18	580026712	Fan Assembly.....	1	..
18	150024222	Fan .....	1	..
18	505968533	Connector .....	1	..
18	505968540	Secondary Lock .....	1	..
18	505968514	Terminal (Pin).....	2	..
19	449015012	Nut.....	4	..
20	580056815	Capscrew .....	2	..
21	580044861	Insert .....	2	..
22	580066767	Bracket .....	1	..
23	520038820	Connector.....	1	1
	<b>a</b> 580073522	Shim .....	AR	AR
	<b>a</b> 524201323	Grommet .....	1	1

**FOOTNOTES:**

- a** Not Illustrated

CAB  
(FRAME AND ATTACHING PARTS)



BP120158

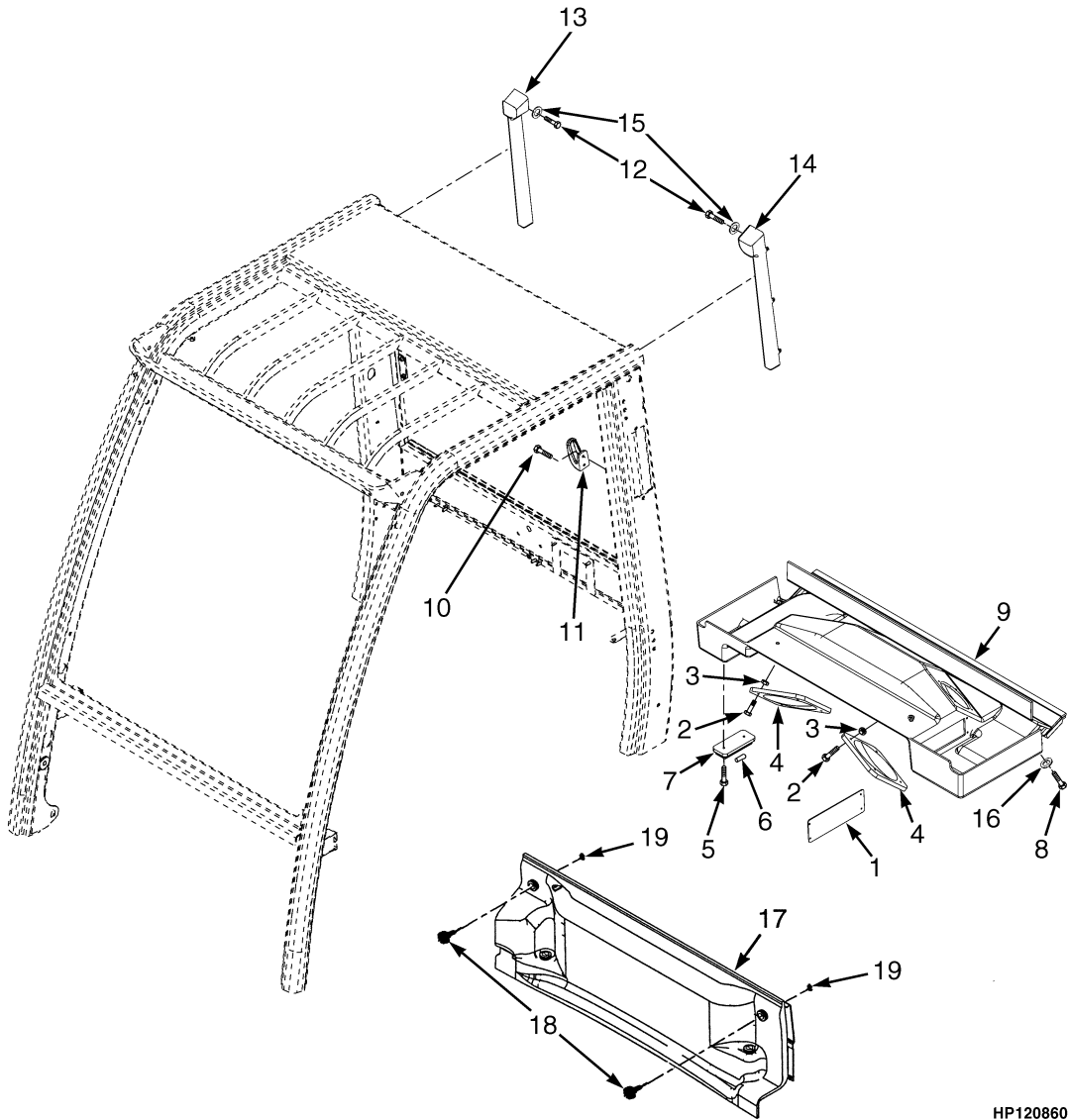
**CAB  
(FRAME AND ATTACHING PARTS)**

ITEM	PART NO.	DESCRIPTION	QTY
	524275519	Cab Assembly (With Steel Doors) .....	1
	524275698	Cab Assembly (With PVC Doors) .....	1
1	580054216	Grommet .....	2
2	580061879	Grommet .....	3
3	580074206	Cover (Cable) .....	1
4	504226242	Washer .....	4
5	449001013	Capscrew .....	4
6	580032669	Seal .....	AR
7	580048511	Clip .....	3
8	449021003	Washer .....	7
9	580062146	Cover (Rear).....	1
10	580061878	Water Tank .....	1
11	449015002	Nut.....	2
12	580014773	Clamp.....	3
13	a 580056815	Capscrew .....	2
14	a . . . . .	Heater Hose Bulkhead .....	1
14	a 580075630	Bracket.....	1
14	a 580015055	Seal.....	AR
15	580061877	Connector .....	2
16	580032669	Seal.....	AR
17	580067789	Seal .....	1
18	580014810	Nut.....	6
19	. . . . .	Frame .....	1
20	580062101	Wire Harness .....	1
21	580022776	Bolt.....	12

**FOOTNOTES:**

a With PVC Doors

CAB  
(INTERIOR PANELS)



HP120860

Thank you so much for reading.  
Please click the “Buy Now!”  
button below to download the  
complete manual.



After you pay.

You can download the most  
perfect and complete manual in  
the world immediately.

Our support email:

[ebooklibonline@outlook.com](mailto:ebooklibonline@outlook.com)