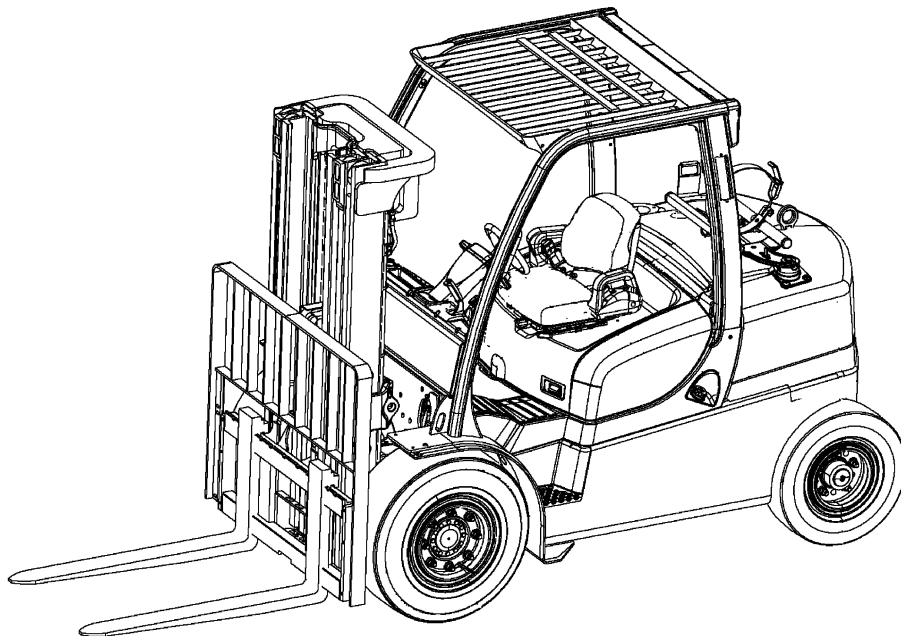


**GLP/GDP40VX5, GLP/GDP40VX6,  
GLP/GDP45SVX5, GLP/GDP45VX6,  
GLP/GDP50-55VX  
(F813)**



|           |  |
|-----------|--|
| <b>1</b>  | <b>GENERAL TRUCK</b>                               |
| <b>2</b>  | <b>DIESEL ENGINE</b>                               |
| <b>3</b>  | <b>LPG ENGINES</b>                                 |
| <b>4</b>  | <b>FUEL SYSTEM</b>                                 |
| <b>5</b>  | <b>ELECTRICAL SYSTEM</b>                           |
| <b>6</b>  | <b>STEERING SYSTEM</b>                             |
| <b>7</b>  | <b>BRAKE SYSTEM</b>                                |
| <b>8</b>  | <b>TRANSMISSION</b>                                |
| <b>9</b>  | <b>HYDRAULIC SYSTEM</b>                            |
| <b>10</b> | <b>MAST-TWO STAGE LIMITED FREE-LIFT</b>            |
| <b>11</b> | <b>MAST-THREE STAGE FULL FREE-LIFT</b>             |
| <b>12</b> | <b>MAST-TWO STAGE FULL FREE-LIFT</b>               |
| <b>13</b> | <b>FORKS, LOAD BACKREST, AND MAST INSTALLATION</b> |
| <b>14</b> | <b>ATTACHMENTS AND HEADER HOSE GROUP</b>           |
| <b>15</b> | <b>OPTIONS</b>                                     |
| <b>16</b> | <b>NUMERICAL INDEX</b>                             |

**SECTION 1  
GENERAL TRUCK**

| DESCRIPTION                               | PAGE |
|---|------|
| CAB                                       |      |
| INTERIOR                                  |      |
| WITH STEEL AND PVC DOORS                  |      |
| PENDING PER ECN 104918⇒.....              | 1.52 |
| ⇒PENDING PER ECN 104918.....              | 1.50 |
| PVC DOORS.....                            | 1.36 |
| WINDOWS AND WINDOW WIPER SYSTEM           |      |
| WITH STEEL AND PVC DOORS                  |      |
| PENDING PER ECN 104918⇒.....              | 1.42 |
| ⇒PENDING PER ECN 104918.....              | 1.38 |
| WIRING AND ATTACHING PARTS                |      |
| WITH STEEL AND PVC DOORS                  |      |
| PENDING PER ECN 104918⇒.....              | 1.48 |
| ⇒PENDING PER ECN 104918.....              | 1.46 |
| CAB AND ATTACHING PARTS                   |      |
| WITH PVC DOORS.....                       | 1.34 |
| WITH STEEL DOORS.....                     | 1.26 |
| CONTROL LEVER LABELS                      |      |
| MANUAL HYDRAULICS.....                    | 1.72 |
| COUNTERWEIGHT.....                        | 1.8  |
| COWL MOUNTING.....                        | 1.24 |
| ELECTRONIC LEVER LABELS                   |      |
| MINI LEVERS.....                          | 1.74 |
| FENDERS.....                              | 1.20 |
| FLOOR PLATES AND COVERS                   |      |
| PENDING PER ECN 104914⇒.....              | 1.15 |
| ⇒PENDING PER ECN 104914.....              | 1.12 |
| FULL SUSPENSION SEAT                      |      |
| WITH AND WITHOUT ELECTRONIC CONTROLS..... | 1.64 |
| FULL SUSPENSION SWIVEL SEAT               |      |
| WITH AND WITHOUT ELECTRONIC CONTROLS..... | 1.66 |
| HEATER HOSE ARRANGEMENT                   |      |
| CUMMINS 4.5L DIESEL                       |      |
| WITH CAB.....                             | 1.54 |
| GM 4.3L LPG                               |      |
| WITH CAB.....                             | 1.56 |
| HOOD ASSEMBLY.....                        | 1.4  |
| JOYSTICK CONTROL LABELS.....              | 1.76 |
| WITH RETURN TO SET TILT.....              | 1.78 |
| LABELS                                    |      |
| EXTERIOR.....                             | 1.68 |
| LABLES                                    |      |
| INTERIOR.....                             | 1.70 |
| MUD GUARDS.....                           | 1.22 |
| NON-SUSPENSION SEAT                       |      |
| WITHOUT ELECTRONIC CONTROLS.....          | 1.60 |
| OVERHEAD GUARD.....                       | 1.10 |

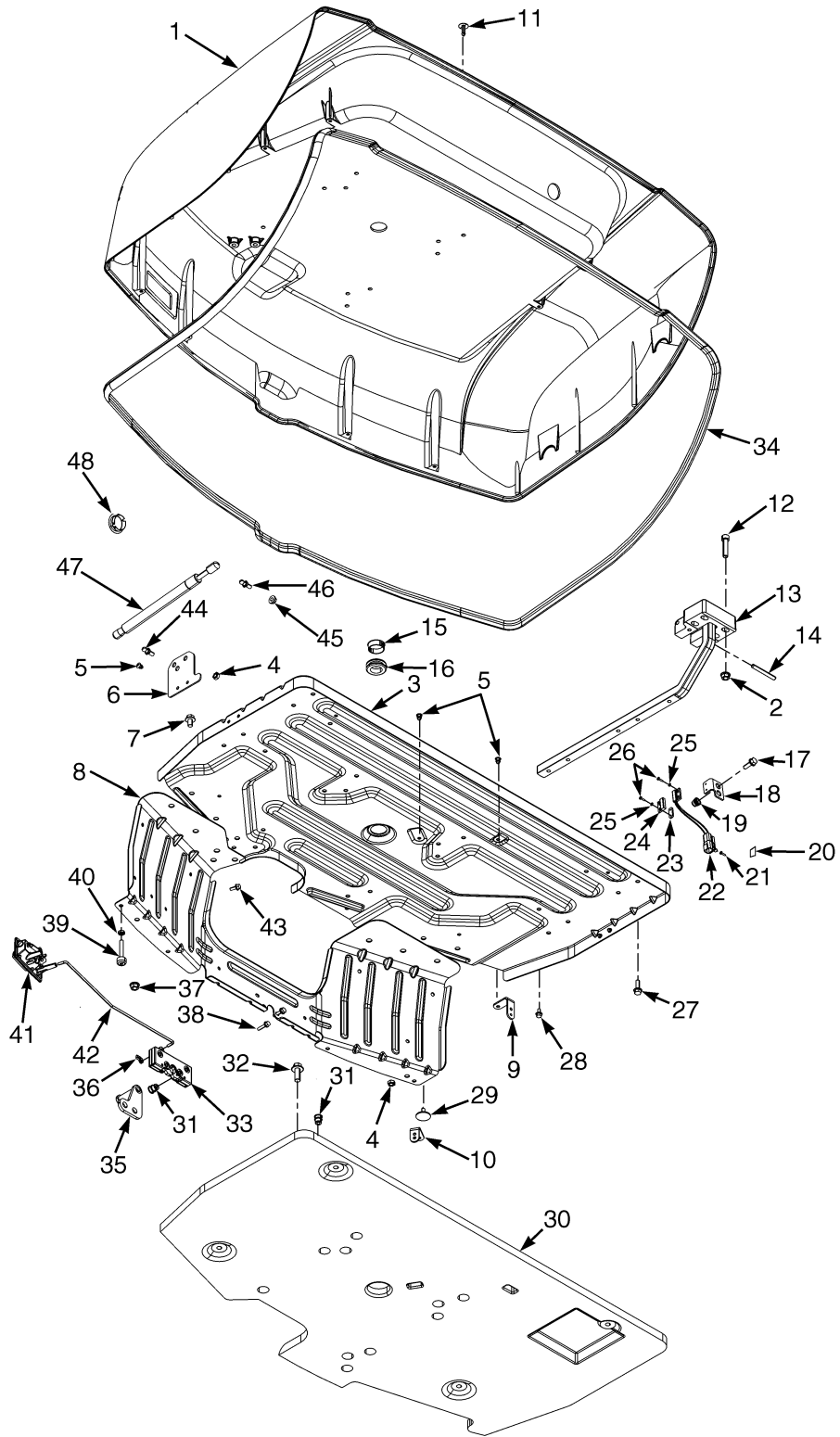
**CONTENTS**

---

| <b>DESCRIPTION</b>                         | <b>PAGE</b> |
|--|-------------|
| SEMI-SUSPENSION SEAT                       |             |
| WITH AND WITHOUT ELECTRONIC CONTROLS ..... | 1.62        |
| SLIDING REAR WINDOW .....                  | 1.44        |
| SOUND ABATEMENT                            |             |
| WITH CAB .....                             | 1.58        |
| STEEL DOOR                                 |             |
| LEFT HAND .....                            | 1.28        |
| STEEL DOOR AND HEATER ASSEMBLY             |             |
| RIGHT HAND .....                           | 1.30        |
| UNDERBODY SHIELD                           |             |
| DIESEL (GDP) .....                         | 1.18        |



HOOD ASSEMBLY



BP120214



HOOD ASSEMBLY

| ITEM | PART NO.           | DESCRIPTION                          | QTY |
|------|--------------------|--------------------------------------|-----|
| 1    | 524256881          | Hood Assembly .....                  | 1   |
| 1    | 524256876          | Hood.....                            | 1   |
| 1    | <b>b</b> 524256880 | Hood Assembly (Low Noise) .....      | 1   |
| 1    | <b>b</b> 524256879 | Hood (Low Noise) .....               | 1   |
| 2    | 580027572          | Nut .....                            | 6   |
| 3    | 580069655          | Reinforcement (Top) .....            | 1   |
| 4    | 518805632          | Nut .....                            | 8   |
| 5    | 580065386          | Huck Bolt.....                       | 6   |
| 6    | 580069656          | Bracket.....                         | 2   |
| 7    | 580037179          | Capscrew .....                       | 6   |
| 8    | 580064906          | Reinforcement (Front) .....          | 1   |
| 9    | 580058135          | Bracket.....                         | 1   |
| 10   | 580064907          | Bracket.....                         | 1   |
| 11   | 580049758          | Fastener .....                       | 8   |
| 12   | 932202908          | Capscrew.....                        | 4   |
| 13   | 580064909          | Hinge Assembly.....                  | 2   |
| 14   | 580070675          | Pin.....                             | 1   |
| 15   | 580058137          | Plug .....                           | 1   |
| 16   | 580051832          | Grommet.....                         | 1   |
| 17   | 580056815          | Capscrew.....                        | 2   |
| 18   | 580056665          | Bracket .....                        | 1   |
| 19   | 580044861          | Insert .....                         | 2   |
| 20   | 580026812          | Clip .....                           | 1   |
| 21   | 580056613          | Fastener .....                       | 1   |
| 22   | 580071587          | Reed Switch .....                    | 1   |
| 22   | 580071586          | Switch.....                          | 1   |
| 22   | 580022893          | Connector.....                       | 1   |
| 23   | 580057864          | Plate .....                          | 1   |
| 24   | 580051442          | Magnet .....                         | 1   |
| 25   | 940004902          | Washer .....                         | 4   |
| 26   | 449007024          | Screw.....                           | 4   |
| 27   | 580030966          | Capscrew.....                        | 8   |
| 28   | 580039900          | Capscrew.....                        | 8   |
| 29   | 518793609          | Fastener .....                       | 4   |
| 30   | 580064912          | Liner .....                          | 1   |
| 31   | 580044860          | Insert .....                         | 4   |
| 32   | 580056527          | Capscrew.....                        | 6   |
| 33   | 580064913          | Latch.....                           | 1   |
| 34   | 580064911          | Seal .....                           | 1   |
| 35   | 580073741          | Latch (Striker).....                 | 1   |
| 36   | 580037719          | Clip .....                           | 2   |
| 37   | 580027572          | Nut.....                             | 4   |
| 38   | 580049840          | Capscrew.....                        | 4   |
| 39   | 580058383          | Bumper (Hood).....                   | 2   |
| 40   | 580004592          | Nut.....                             | 2   |
| 41   | 580054191          | Handle .....                         | 1   |
| 42   | 580064914          | Rod (Link).....                      | 1   |
| 43   | 580049011          | Capscrew.....                        | 2   |
| 44   | 580049915          | Ball Stud (With Cab).....            | 3   |
| 44   | 580049915          | Ball Stud (With Overhead Guard)..... | 4   |

**HOOD ASSEMBLY**

| ITEM | PART NO.             | DESCRIPTION                                | QTY |
|------|----------------------|--|-----|
| 45   | 580058190            | Nut.....                                   | 4   |
| 46   | 580064627            | Ball Stud (With Cab) .....                 | 1   |
| 47   | 580072744            | Gas Spring (With Overhead Guard) .....     | 2   |
| 47   | 580072744            | Gas Spring (With Cab - RH) .....           | 1   |
| 47   | 580066569            | Gas Spring (Locking) (With Cab - LH) ..... | 1   |
| 48   | 524255979            | Plug (Gold) .....                          | 1   |
|      | <b>abc</b> 580074748 | Hood Liner (Low Noise) (LH Panel).....     | 1   |
|      | <b>abc</b> 580074749 | Hood Liner (Low Noise) (RH Panel) .....    | 1   |
|      | <b>abc</b> 580074750 | Hood Liner (Low Noise) (Front Panel) ..... | 1   |

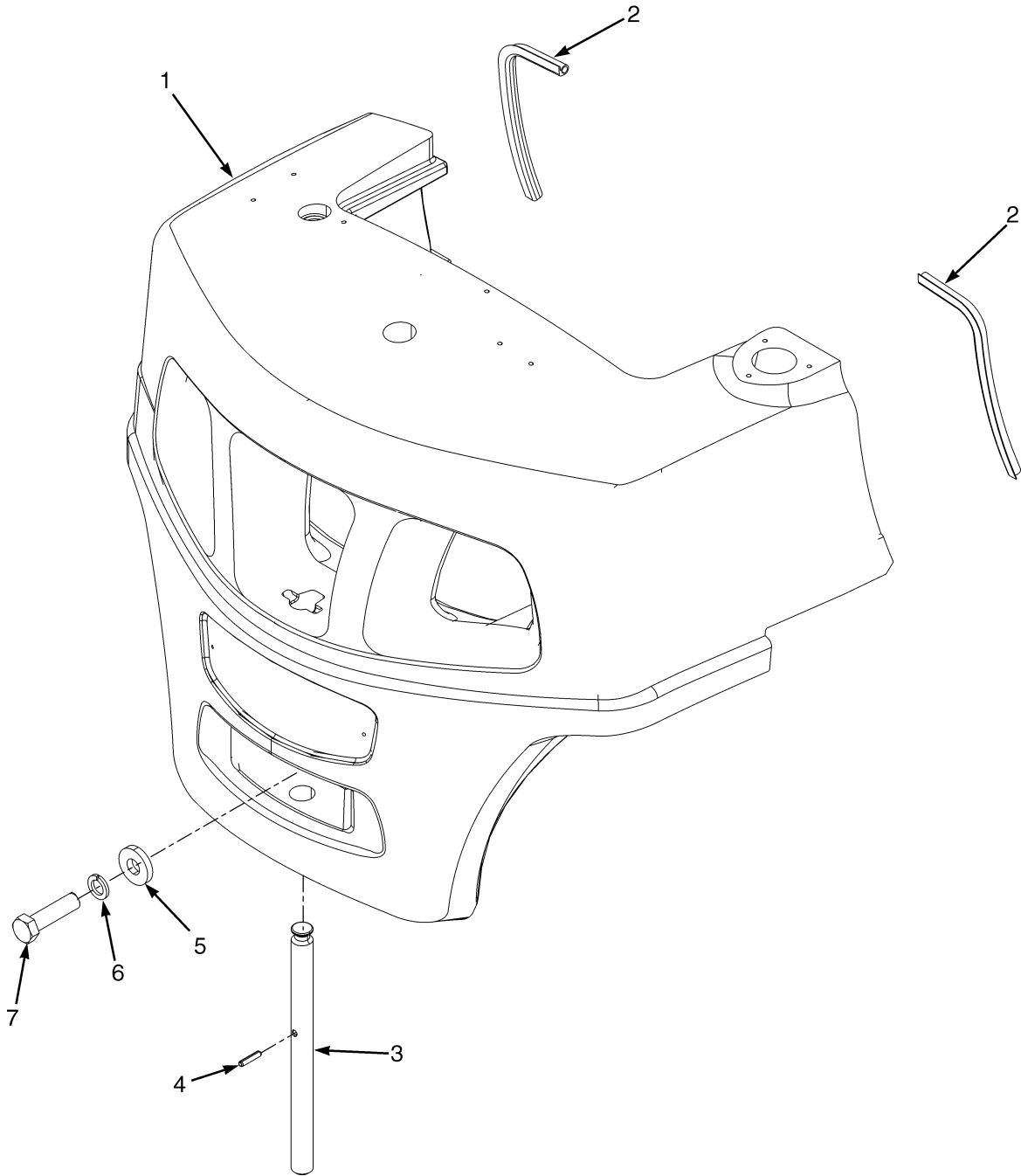
**FOOTNOTES:**

- a** Not Illustrated
- b** Used with Cab
- c** ⇒ PENDING PER ECN 104877





COUNTERWEIGHT



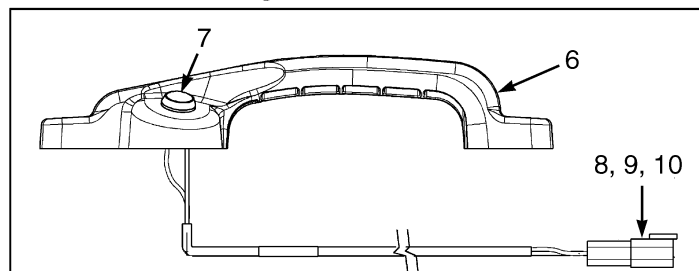
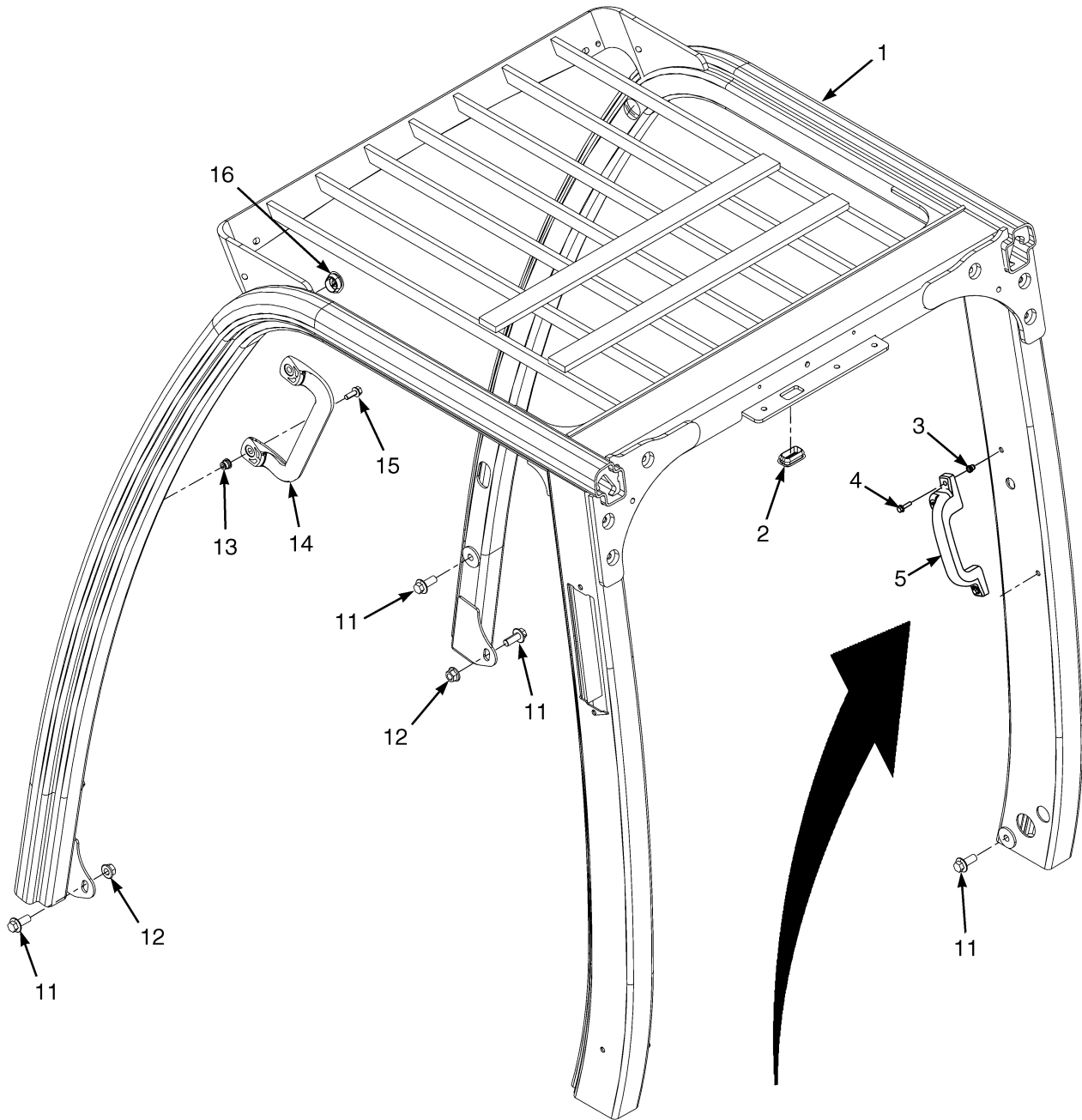
BP120215

| ITEM | PART NO.           | DESCRIPTION                           | QTY |
|------|--------------------|---------------------------------------|-----|
| 1    | <b>a</b> 524220276 | Counterweight (GLP/GDP 40VX5) .....   | 1   |
| 1    | <b>b</b> 524302330 | Counterweight (GLP/GDP 40VX5) .....   | 1   |
| 1    | <b>a</b> 524220277 | Counterweight (GLP/GDP 40VX6) .....   | 1   |
| 1    | <b>b</b> 524302331 | Counterweight (GLP/GDP 40VX6) .....   | 1   |
| 1    | <b>a</b> 524220278 | Counterweight (GLP/GDP 45SVX5) .....  | 1   |
| 1    | <b>b</b> 524302332 | Counterweight (GLP/GDP 45SVX5) .....  | 1   |
| 1    | <b>a</b> 524220284 | Counterweight (GLP/GDP 45VX6) .....   | 1   |
| 1    | <b>b</b> 524302335 | Counterweight (GLP/GDP 45VX6) .....   | 1   |
| 1    | <b>a</b> 524220279 | Counterweight (GLP/GDP 50-55VX) ..... | 1   |
| 1    | <b>b</b> 524302333 | Counterweight (GLP/GDP 50-55VX) ..... | 1   |
| 2    | 580063909          | Seal .....                            | 2   |
| 3    | <b>a</b> 580074022 | Tow Pin .....                         | 1   |
| 3    | <b>b</b> 580084587 | Tow Pin .....                         | 1   |
| 4    | 954513908          | Pin .....                             | 1   |
| 5    | 580053098          | Washer .....                          | 1   |
| 6    | 955400912          | Lockwasher .....                      | 1   |
| 7    | 931011914          | Capscrew .....                        | 1   |

**FOOTNOTES:**

- a** ⇒ PENDING PER ECN 10402591
- b** PENDING PER ECN 10402591 ⇒

OVERHEAD GUARD



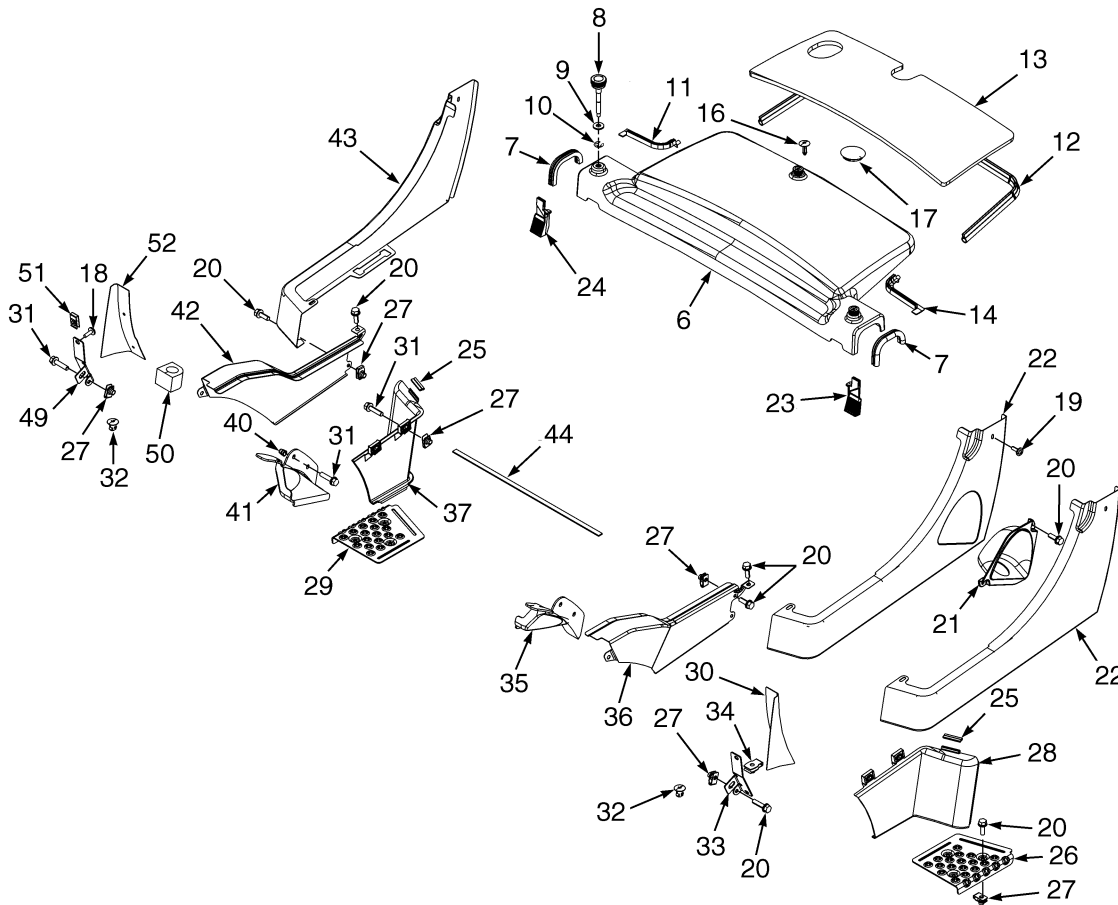
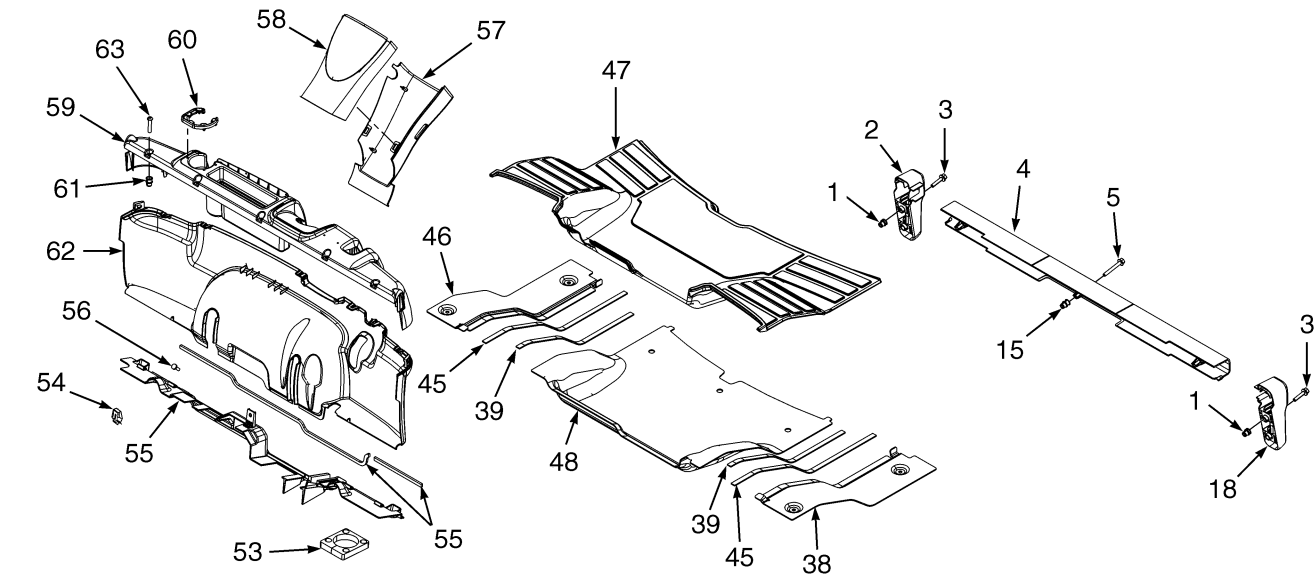
BP120165

| ITEM | PART NO.    | DESCRIPTION                 | QTY |
|------|-------------|-----------------------------|-----|
| 1    | 524240425   | Overhead Guard (Tall) ..... | 1   |
| 1    | 524240431   | Overhead Guard (Short)..... | 1   |
| 2    | 524208883   | Grommet.....                | 1   |
| 3    | 580041704   | Insert .....                | 2   |
| 4    | 580058212   | Capscrew.....               | 2   |
| 5    | 580051747   | Handle Assembly.....        | 1   |
| 6    | 580050959   | Handle.....                 | 1   |
| 7    | 580058447   | Switch.....                 | 1   |
| 8    | 580022893   | Connector.....              | 1   |
| 9    | 505968540   | Secondary Lock.....         | 1   |
| 10   | 505968514   | Terminal (Pin) .....        | 2   |
| 11   | 580051941   | Capscrew.....               | 8   |
| 12   | 580056528   | Nut.....                    | 2   |
| 13   | 580044861   | Insert .....                | 4   |
| 14   | 580056526   | Handle (Grab).....          | 1   |
| 15   | 580056815   | Capscrew.....               | 2   |
| 16   | 524201323   | Grommet.....                | 2   |
|      | a 258979300 | Plug .....                  | 4   |
|      | a 524240692 | Plug .....                  | 1   |

**FOOTNOTES:**

a Not Illustrated

**FLOOR PLATES AND COVERS**  
 (⇒PENDING PER ECN 104914)



BP120211



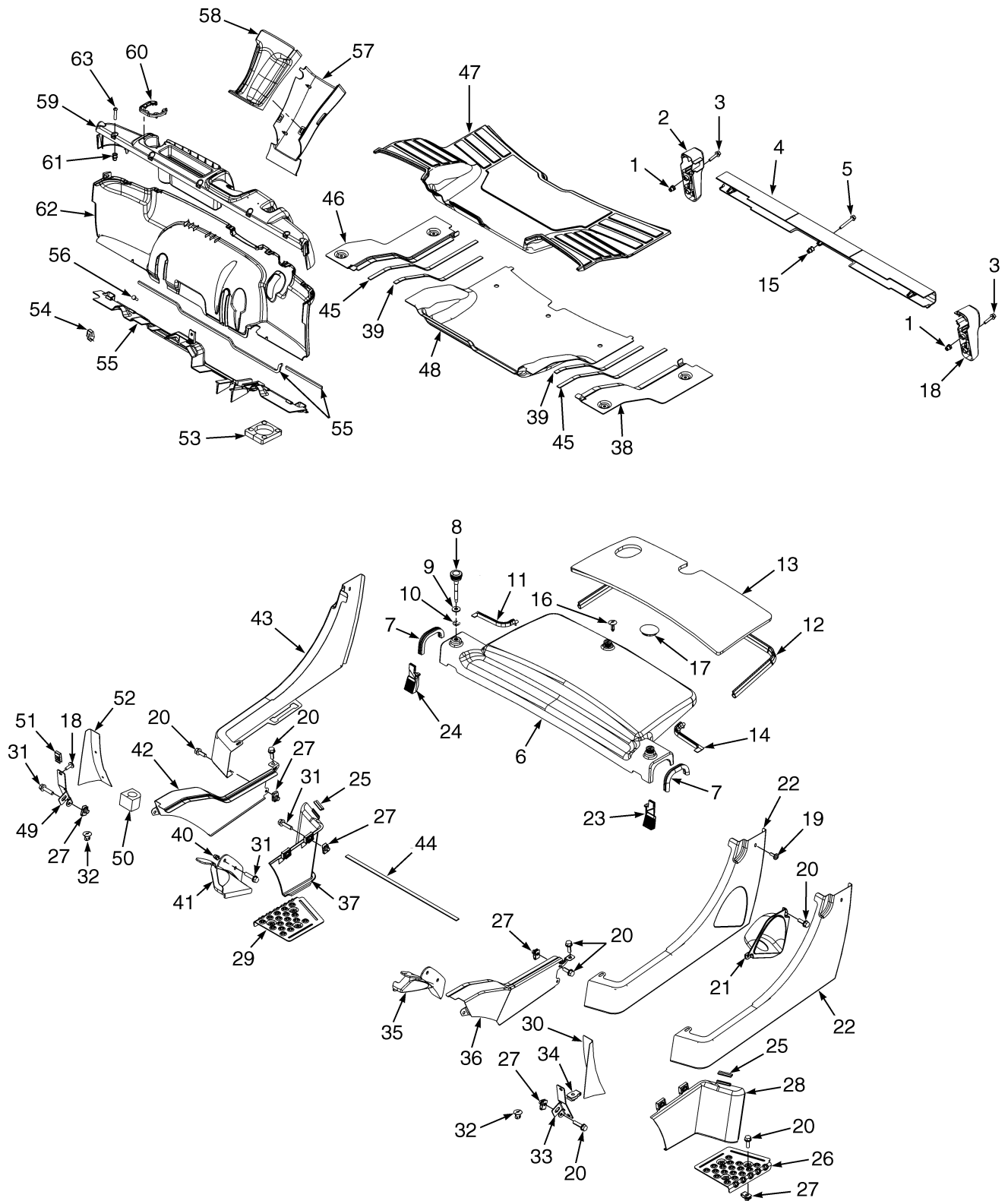
**FLOOR PLATES AND COVERS**  
 (⇒PENDING PER ECN 104914)

| ITEM | PART NO.  | DESCRIPTION                        | QTY |
|------|-----------|------------------------------------|-----|
| 1    | 580041704 | Insert .....                       | 2   |
| 2    | 580037206 | Tail Light Base (RH).....          | 1   |
| 3    | 580058212 | Capscrew.....                      | 4   |
| 4    | 580048573 | Cover .....                        | 1   |
| 5    | 580041711 | Capscrew.....                      | 3   |
| 6    | 524232018 | Radiator Cover Assembly.....       | 1   |
| 6    | 524231093 | Cover .....                        | 1   |
| 7    | 580063962 | Seal .....                         | 2   |
| 8    | 580058734 | Screw .....                        | 2   |
| 9    | 504226242 | Washer .....                       | 3   |
| 10   | 507353800 | Snap Ring .....                    | 3   |
| 11   | 580064084 | Seal (RH) .....                    | 1   |
| 12   | 580059335 | Seal .....                         | 1   |
| 13   | 580068109 | Sound Liner.....                   | 1   |
| 14   | 580064083 | Seal (LH) .....                    | 1   |
| 15   | 580044859 | Insert .....                       | 3   |
| 16   | 580049758 | Fastener .....                     | 5   |
| 17   | 922365300 | Cap .....                          | 1   |
| 18   | 580037205 | Tail Light Base (LH) .....         | 1   |
| 19   | 524180729 | Screw.....                         | 6   |
| 20   | 580056815 | Capscrew.....                      | 20  |
| 21   | 524149438 | Splash Shield .....                | 1   |
| 22   | 524228462 | Panel (Rear LH) (LPG Only).....    | 1   |
| 22   | 524228461 | Panel (Rear LH) (Diesel Only)..... | 1   |
| 23   | 580082818 | Seal (LH) .....                    | 1   |
| 24   | 580072819 | Seal .....                         | 1   |
| 25   | 580056224 | Trim Seal .....                    | 2   |
| 26   | 580049835 | Plate (LH) .....                   | 1   |
| 27   | 580026621 | Clip Nut.....                      | 22  |
| 28   | 524246732 | Panel (LH Step).....               | 1   |
| 29   | 580049836 | Plate (RH).....                    | 1   |
| 30   | 524214788 | Cover (LH Fender).....             | 1   |
| 31   | 580058269 | Capscrew.....                      | 10  |
| 32   | 524224752 | Plug .....                         | 4   |
| 33   | 580061696 | Bracket (LH) .....                 | 1   |
| 34   | 580012987 | Clip Nut.....                      | 2   |
| 35   | 580071073 | Flap (LH).....                     | 1   |
| 36   | 524239043 | Panel (Front).....                 | 1   |
| 37   | 524246733 | Panel (RH Step) .....              | 1   |
| 38   | 580058320 | Floor Plate (LH).....              | 1   |
| 39   | 580063913 | Seal .....                         | 1   |
| 40   | 580044860 | Insert .....                       | 4   |
| 41   | 580071074 | Flap (RH).....                     | 1   |
| 42   | 524239044 | Panel (Front RH).....              | 1   |
| 43   | 524228463 | Panel (Rear RH) .....              | 1   |
| 44   | 580058798 | Seal .....                         | 1   |
| 45   | 580063913 | Seal .....                         | 2   |
| 46   | 580058321 | Floor Plate (RH).....              | 1   |
| 47   | 580061291 | Floor Mat .....                    | 1   |
| 48   | 580058319 | Floorplate (Center) .....          | 1   |

**FLOOR PLATES AND COVERS**  
 (⇒PENDING PER ECN 104914)

| ITEM | PART NO.  | DESCRIPTION                                | QTY |
|------|-----------|--|-----|
| 49   | 580061697 | Bracket (RH) .....                         | 1   |
| 50   | 580038033 | Grommet.....                               | 1   |
| 51   | 504225257 | Nut.....                                   | 4   |
| 52   | 524214789 | Cover (RH Fender) .....                    | 1   |
| 53   | 580060870 | Seal .....                                 | 1   |
| 54   | 580046139 | Clip .....                                 | 2   |
| 55   | 580052156 | Plate Assembly.....                        | 1   |
| 55   | 580064147 | Seal .....                                 | 1   |
| 56   | 909904403 | Screw.....                                 | 2   |
| 57   | 580046138 | Cover (Steering Column).....               | 1   |
| 58   | 580046143 | Cover (Steering Column).....               | 1   |
| 59   | 580058909 | Dash Assembly (Manual Hydraulics).....     | 1   |
| 59   | 580058910 | Dash Assembly (Electronic Hydraulics)..... | 1   |
| 60   | 580052409 | Cup Holder .....                           | 1   |
| 61   | 580044859 | Insert .....                               | 5   |
| 62   | 580052292 | Kick Panel (Single Brake Pedal) .....      | 1   |
| 62   | 580059919 | Kick Panel (Dual Brake Pedal).....         | 1   |
| 63   | 932728908 | Capscrew.....                              | 5   |



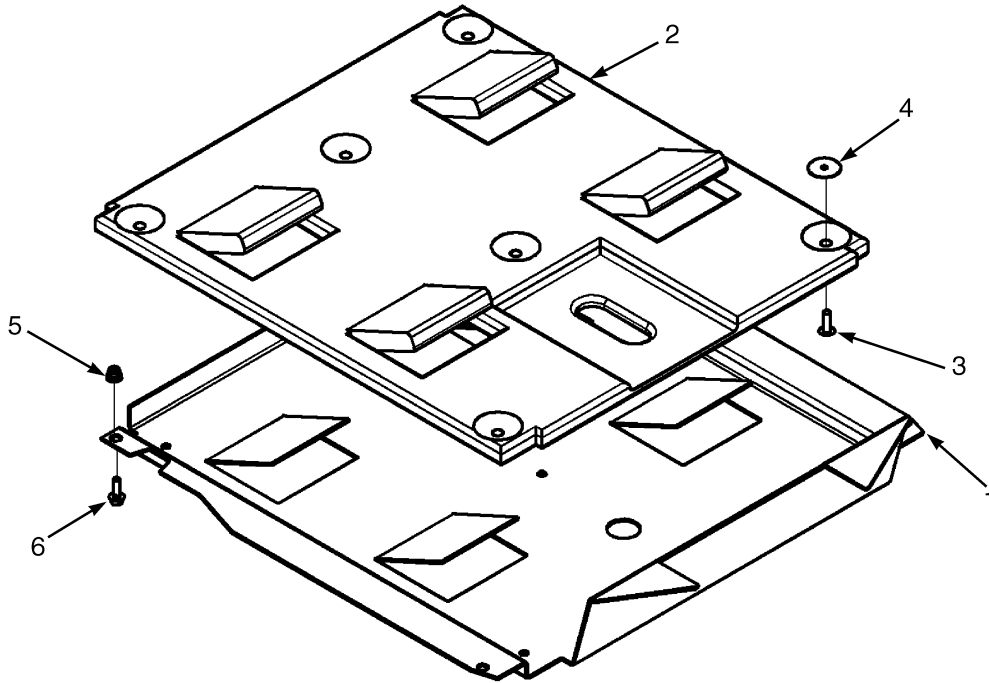


**FLOOR PLATES AND COVERS**  
(PENDING PER ECN 104914⇒)

| ITEM | PART NO.  | DESCRIPTION                        | QTY |
|------|-----------|------------------------------------|-----|
| 1    | 580041704 | Insert .....                       | 2   |
| 2    | 580037206 | Tail Light Base (RH).....          | 1   |
| 3    | 580058212 | Capscrew.....                      | 4   |
| 4    | 580048573 | Cover .....                        | 1   |
| 5    | 580041711 | Capscrew.....                      | 3   |
| 6    | 524232018 | Radiator Cover Assembly .....      | 1   |
| 6    | 524231093 | Cover .....                        | 1   |
| 7    | 580063962 | Seal .....                         | 2   |
| 8    | 580058734 | Screw .....                        | 2   |
| 9    | 504226242 | Washer .....                       | 3   |
| 10   | 507353800 | Snap Ring .....                    | 3   |
| 11   | 580064084 | Seal (RH) .....                    | 1   |
| 12   | 580059335 | Seal .....                         | 1   |
| 13   | 580068109 | Sound Liner.....                   | 1   |
| 14   | 580064083 | Seal (LH) .....                    | 1   |
| 15   | 580044859 | Insert .....                       | 3   |
| 16   | 580049758 | Fastener .....                     | 5   |
| 17   | 922365300 | Cap.....                           | 1   |
| 18   | 580037205 | Tail Light Base (LH) .....         | 1   |
| 19   | 524180729 | Screw.....                         | 6   |
| 20   | 580056815 | Capscrew.....                      | 20  |
| 21   | 524149438 | Splash Shield .....                | 1   |
| 22   | 524228462 | Panel (Rear LH) (LPG Only).....    | 1   |
| 22   | 524228461 | Panel (Rear LH) (Diesel Only)..... | 1   |
| 23   | 580082818 | Seal (LH) .....                    | 1   |
| 24   | 580072819 | Seal .....                         | 1   |
| 25   | 580056224 | Trim Seal .....                    | 2   |
| 26   | 580049835 | Plate (LH) .....                   | 1   |
| 27   | 580026621 | Clip Nut.....                      | 22  |
| 28   | 524246732 | Panel (LH Step).....               | 1   |
| 29   | 580049836 | Plate (RH).....                    | 1   |
| 30   | 524214788 | Cover (LH Fender).....             | 1   |
| 31   | 580058269 | Capscrew.....                      | 10  |
| 32   | 524224752 | Plug .....                         | 4   |
| 33   | 580061696 | Bracket (LH) .....                 | 1   |
| 34   | 580012987 | Clip Nut.....                      | 2   |
| 35   | 580071073 | Flap (LH).....                     | 1   |
| 36   | 524239043 | Panel (Front).....                 | 1   |
| 37   | 524246733 | Panel (RH Step) .....              | 1   |
| 38   | 580058320 | Floor Plate (LH) .....             | 1   |
| 39   | 580063913 | Seal .....                         | 1   |
| 40   | 580044860 | Insert .....                       | 4   |
| 41   | 580071074 | Flap (RH).....                     | 1   |
| 42   | 524239044 | Panel (Front RH).....              | 1   |
| 43   | 524228463 | Panel (Rear RH) .....              | 1   |
| 44   | 580058798 | Seal .....                         | 1   |
| 45   | 580063913 | Seal .....                         | 2   |
| 46   | 580058321 | Floor Plate (RH).....              | 1   |
| 47   | 580061291 | Floor Mat .....                    | 1   |
| 48   | 580058319 | Floorplate (Center) .....          | 1   |

| ITEM | PART NO.  | DESCRIPTION                                | QTY |
|------|-----------|--|-----|
| 49   | 580061697 | Bracket (RH) .....                         | 1   |
| 50   | 580038033 | Grommet.....                               | 1   |
| 51   | 504225257 | Nut .....                                  | 4   |
| 52   | 524214789 | Cover (RH Fender) .....                    | 1   |
| 53   | 580060870 | Seal .....                                 | 1   |
| 54   | 580046139 | Clip .....                                 | 2   |
| 55   | 580052156 | Plate Assembly.....                        | 1   |
| 55   | 580064147 | Seal .....                                 | 1   |
| 56   | 909904403 | Screw.....                                 | 2   |
| 57   | 580046138 | Cover (Steering Column).....               | 1   |
| 58   | 580083020 | Cover (Steering Column Upper) .....        | 1   |
| 59   | 580058909 | Dash Assembly (Manual Hydraulics).....     | 1   |
| 59   | 580058910 | Dash Assembly (Electronic Hydraulics)..... | 1   |
| 60   | 580052409 | Cup Holder .....                           | 1   |
| 61   | 580044859 | Insert .....                               | 5   |
| 62   | 580052292 | Kick Panel (Single Brake Pedal) .....      | 1   |
| 62   | 580059919 | Kick Panel (Dual Brake Pedal).....         | 1   |
| 63   | 932728908 | Capscrew.....                              | 5   |

**UNDERBODY SHIELD  
(DIESEL (GDP))**



BP120308

**KEY:**

**A: GDP40VX5-GDP45VX6**

**B: GDP45SVX6-GDP50VX**

| ITEM | PART NO.  | DESCRIPTION            | QTY |    |
|------|-----------|------------------------|-----|----|
|      |           |                        | A   | B  |
| 1    | 580078377 | Underbody Shield ..... | 1   | .. |
| 1    | 580078378 | Underbody Shield ..... | ..  | 1  |
| 2    | 580078379 | Sound Liner .....      | 1   | .. |
| 2    | 580078380 | Sound Liner .....      | ..  | 1  |
| 3    | 580011023 | Rivet .....            | 6   | 6  |
| 4    | 580013498 | Washer .....           | 6   | 6  |
| 5    | 580044861 | Insert .....           | 4   | 4  |
| 6    | 580030966 | Capscrew.....          | 4   | 4  |

Thank you so much for reading.  
Please click the “Buy Now!”  
button below to download the  
complete manual.



After you pay.

You can download the most  
perfect and complete manual in  
the world immediately.

Our support email:

[ebooklibonline@outlook.com](mailto:ebooklibonline@outlook.com)