

**339, 349, 359
and 459
Balers**
(From Serial No. 351101)

**John Deere Arc-lès-Gray
OMCC42106 Issue C5**

European Edition

Printed in Germany

ANGLAIS

General Information

TO THE CUSTOMER

This supplementary operator's manual applies to 339, 349, 359 and 459 Balers from Serial Number 351101 meeting the EC provisions. It contains new and revised information not included in the basic operator's manual.

When operating 339, 349, 359 and 459 Balers from Serial Number 351101, always refer to the supplement first and then to the basic operator's manual for 339, 349, 359 and 459 Balers.

Contents

	Page
Safety Decals	10-1
Attaching and Detaching	
Storing hookup	15-1
Storing hydraulic hoses	15-1
Preparing the Baler	
Tongue positioning	20-1
Operating the Baler	
Adjusting feeder fingers	25-1
Service	
Timing the baler	45-1
Specifications and Serial Number	
339 Baler	55-1
349 Baler	55-3
359 Baler	55-5
459 Baler	55-7
Serial number plate	55-9
Plate description	55-9
Product identification number	55-9

Index

All information, illustrations and specifications in this manual are based on the latest information available at the time of publication. The right is reserved to make changes at any time without notice.

OMCC42106 C5-19-02MAR95

COPYRIGHT© 1994
DEERE & COMPANY
European Office Mannheim
All rights reserved
A John Deere ILLUSTRATION™ Manual

Contents

Safety Decals

PICTORIAL SAFETY SIGNS

At several important places of this machine safety signs are affixed intended to signify potential danger. The hazard is identified by a pictorial in a warning triangle. An adjacent pictorial provides information how to avoid personal injury. These safety signs, their placement on the machine and a brief explanatory text are shown below.

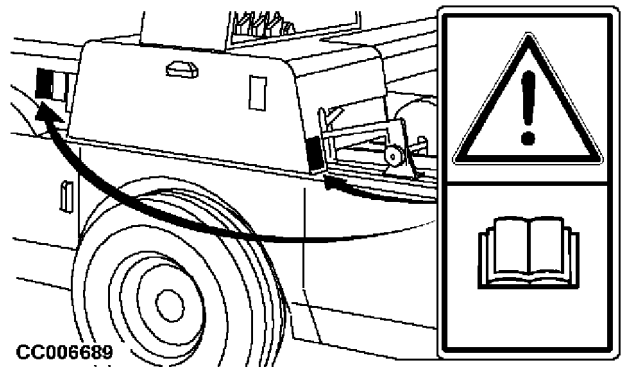


FX,WBZ -19-19NOV91

TS231 -19-07OCT88

OPERATOR'S MANUAL

This operator's manual contains all important information necessary for safe machine operation. Carefully observe all safety rules to avoid accidents.



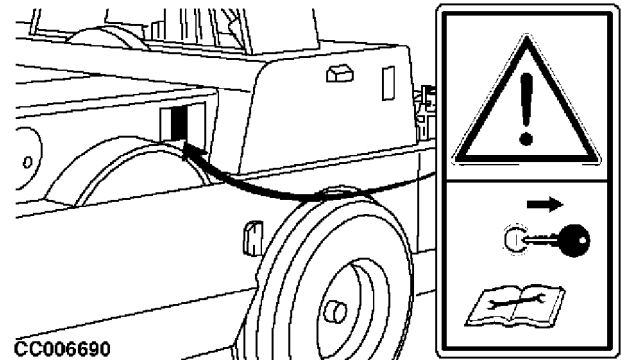
CC006689

CC.339SB 002511-19-13DEC94

CC006689 -UN-23FEB95

REPAIR AND MAINTENANCE

Before carrying out repair and maintenance work, shut off tractor engine and remove key.



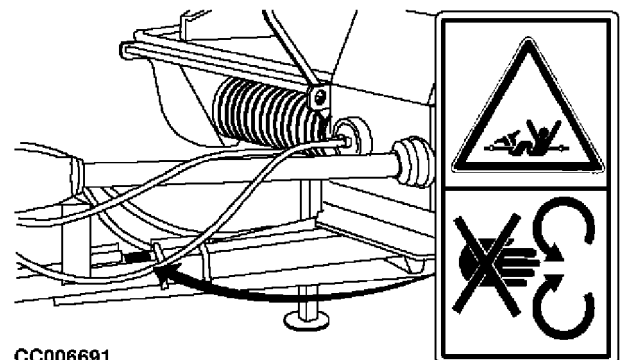
CC006690

CC.339SB 002512-19-13DEC94

CC006690 -UN-23FEB95

BALER DRIVE LINE

Stay clear of rotating drive line to avoid personal injury.



CC006691

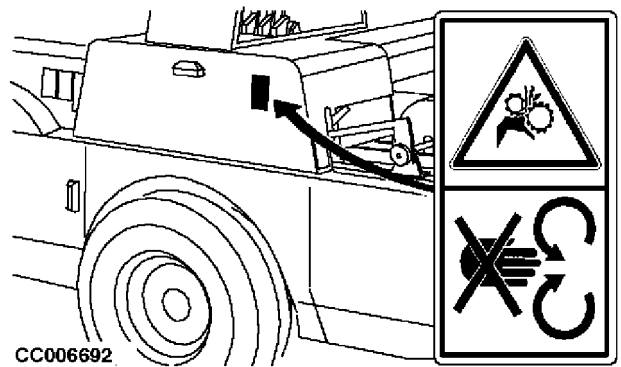
CC.339SB 002513-19-13DEC94

CC006691 -UN-23FEB95

Safety Decals

DRIVE GEARS

Do not open or remove guard when the baler is running.



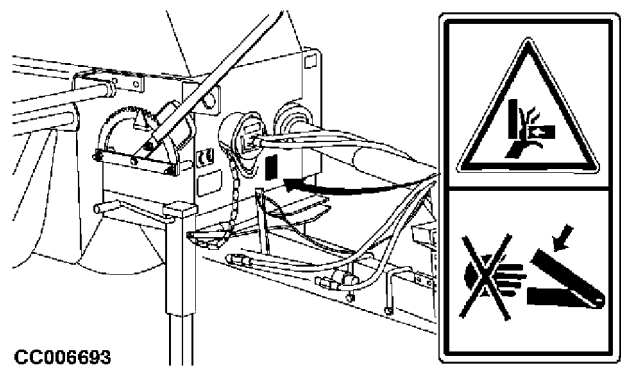
CC006692

CC.339SB 002514-19-13DEC94

CC006692 -UN-23FEB95

TONGUE POSITIONING

Stay clear of swinging tongue when positioning in work or transport position to avoid personal injury.



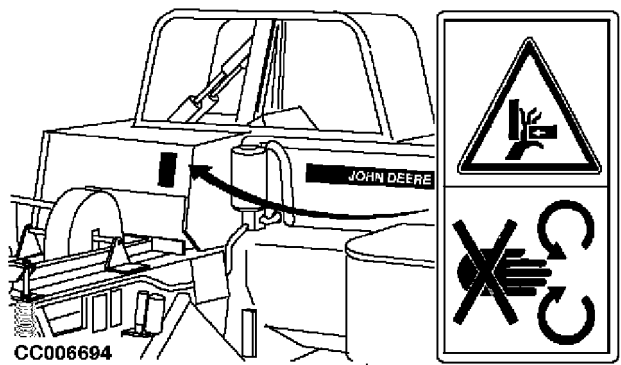
CC006693

CC.339SB 002515-19-13DEC94

CC006693 -UN-23FEB95

KNOTTER MECHANISM

Do not open or remove guard when the baler is running.



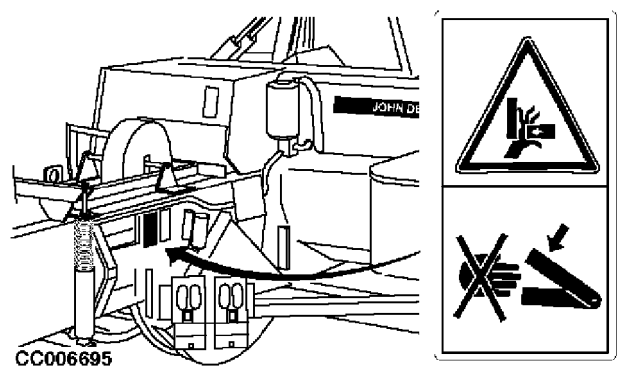
CC006694

CC.339SB 002416-19-13DEC94

CC006694 -UN-23FEB95

NEEDLES

Do not open or remove guard when the baler is running.



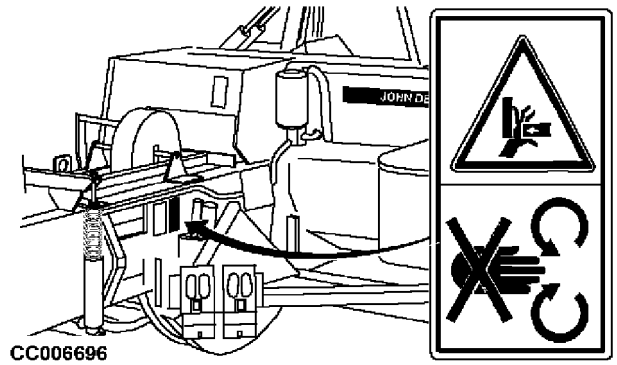
CC006695

CC.339SB 002517-19-13DEC94

CC006695 -UN-23FEB95

NEEDLES TRIPPING

Stay clear of moving needles during tying cycle to avoid personal injury.

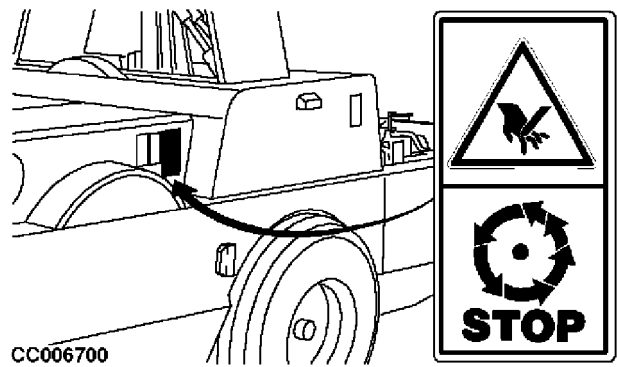


CC.339SB 002518-19-13DEC94

CC006696 -UN-23FEB95

FLYWHEEL

Do not open or remove guard when the baler is running.



CC.339SB 002522-19-13DEC94

CC006700 -UN-23FEB95

Thank you so much for reading.
Please click the “Buy Now!”
button below to download the
complete manual.



After you pay.

You can download the most
perfect and complete manual in
the world immediately.

Our support email:

ebooklibonline@outlook.com