

John Deere 260 Flail Mower



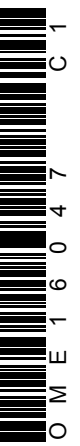
OPERATORS MANUAL

John Deere 260
Flail Mower

OME16047 C1 English

OME16047 C1

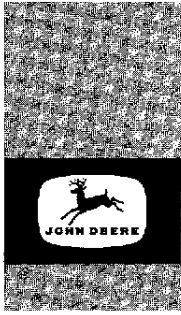
LITHO IN U.S.A.
ENGLISH





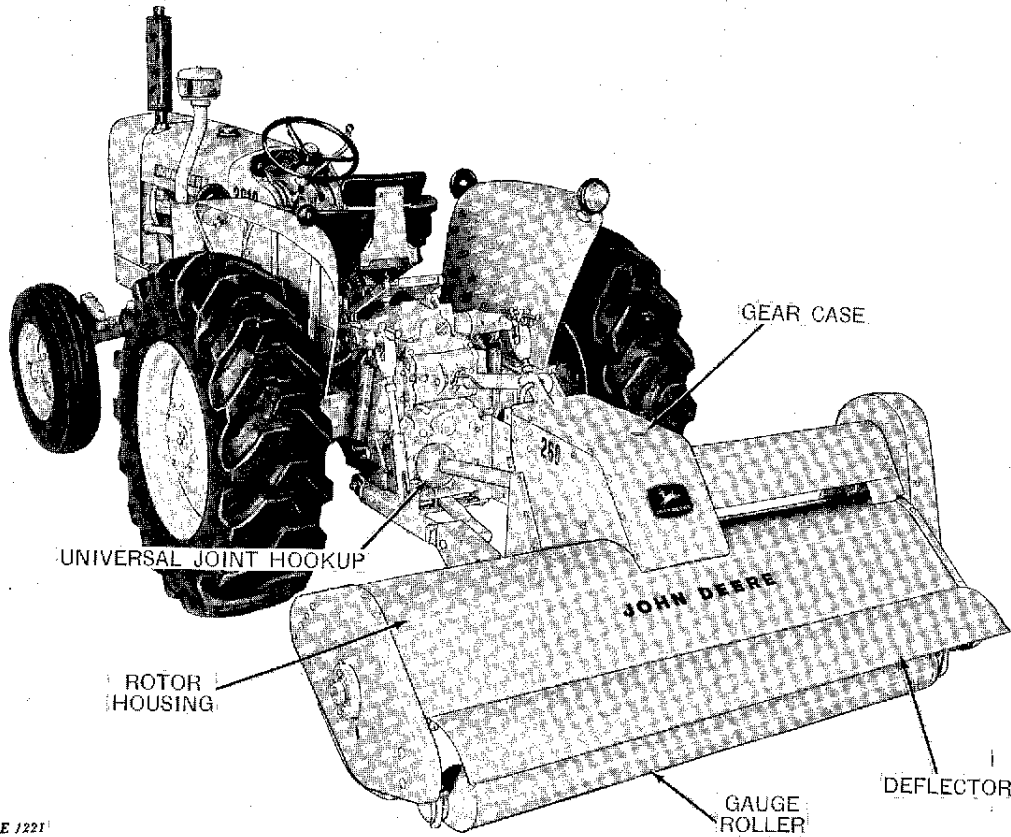
contents

SPECIFICATIONS	2-3
OPERATION	4-6
Preparing tractor	4
Attaching mower to tractor	5
Transporting	5
Before operation	5
Field operation	5-6
Detaching from tractor	6
Safety precautions	6
LUBRICATION	7
SERVICE	8-11
Rotor knives	8-9
Gear case	9
1000 rpm conversion	9
Belt and pulleys	10
Overrunning clutch	10
Shielded tractor hookup	11
PARTS LIST	12-20



specifications

- Cutting height 1- to 4- In.
- Cutting width 6 Ft.
- Gauging means Full width roller
- Power take-off drive 540 or 1000 rpm
- Size of tractor recommended John Deere 1010 Industrial Tractor or larger
- Hitch dimension Category 1 or 2
- Operating speed 1 to 7 mph



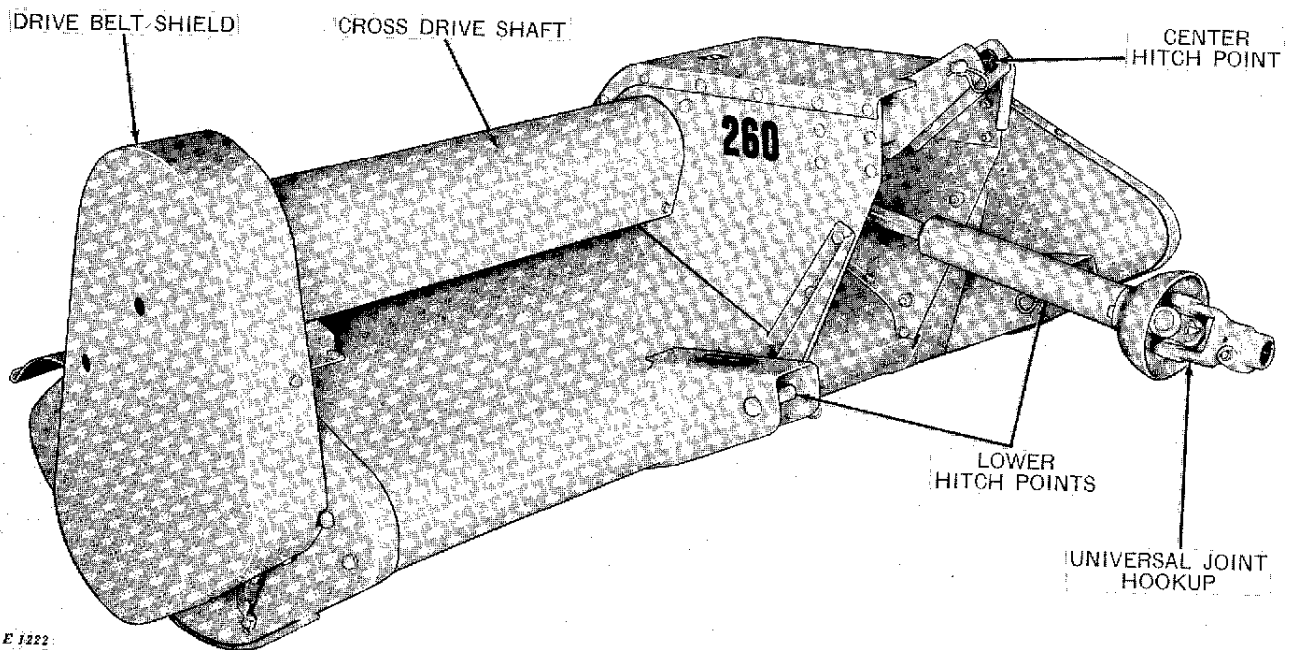
E 1221

Rear view of 260 Flail Mower

Bearings	Anti-friction self-aligning
Number of knives	50 (double-edged)
Rotor: Diameter	18-5/8-In.
Speed (At standard PTO speed)	1800 rpm
Height	33-In.
Over-all width	7 Ft.
Length	46-In.
Weight	Approx. 1120 Lbs.

NOTE: Right- and left-hand sides referred to in this manual are determined from a position at the rear of the machine facing in the direction of travel.

(Specifications and design subject to change without notice.)



Front view of 260 Flail Mower

Thank you so much for reading.
Please click the “Buy Now!”
button below to download the
complete manual.



After you pay.

You can download the most
perfect and complete manual in
the world immediately.

Our support email:

ebooklibonline@outlook.com