

**2054, 2056, 2058,
2064 and 2066
Combines**

**John Deere Werke Zweibrücken
OMZ92125 Issue A3**

European Edition
Printed in Germany
ENGLISCH

Introduction

READ THIS MANUAL carefully to learn how to operate and service your machine correctly. Failure to do so could result in personal injury or equipment damage.

THIS MANUAL SHOULD BE CONSIDERED a permanent part of your machine and should remain with the machine when you sell it.

MEASUREMENTS in this manual are given in both metric and customary U.S. unit equivalents. Use only correct replacement parts and fasteners. Metric and inch fasteners may require a specific metric or inch wrench.

RIGHT-HAND AND LEFT-HAND sides are determined by facing the direction of forward travel.

WRITE PRODUCT IDENTIFICATION NUMBERS (P.I.N.) in the Specification or Identification Numbers section. Accurately record all the numbers to help in tracing the machine should it be stolen. Your dealer also needs these numbers when you order parts. File the identification numbers in a secure place off the machine.

SETTING FUEL DELIVERY BEYOND PUBLISHED factory specifications or otherwise overpowering will result in loss of warranty protection for this machine.

BEFORE DELIVERING THIS MACHINE, your dealer performed a predelivery inspection. After operating for the first 20 to 50 hours, schedule an after-sale inspection with your dealer to ensure best performance.

THIS COMBINE IS DESIGNED SOLELY for use in customary agricultural or similar operations ("INTENDED USE").

Use in any other way is considered as contrary to the intended use. The manufacturer accepts no liability for damage or injury resulting from this misuse, and these risks must be borne solely by the user. Compliance with and strict adherence to the conditions of operation, service and repair as specified by the manufacturer also constitute essential elements for the intended use.

THIS COMBINE SHOULD BE OPERATED, serviced and repaired only by persons familiar with all its particular characteristics and acquainted with the relevant safety rules (accident prevention). The accident prevention regulations, all other generally recognized regulations on safety and occupational medicine and the road traffic regulations must be observed at all times. Any arbitrary modifications carried out on this combine will relieve the manufacturer of all liability for any resulting damage or injury.

Contents

	Page		Page
Identification View	00-1		
Safety	05-1	Sensitivity of sensors	20-46
Safety Decals	10-1	Operational check	20-47
		Straw warning device	20-48
Controls and Instruments		Lighting System and Signals	
Survey	15-1	Parking light and low-beam	25-1
Switch console	15-2	Full beam	25-1
Multi-function lever	15-7	Turn signals	25-2
Roof switch console	15-9	Work lights	25-4
Roof console	15-10	Beacon lights	25-7
Harvest performance monitor	15-11	Hazard warning lights	25-8
Steering column	15-12	Indicator light bulb test	25-8
Switch console — Functions	15-13	Operator's Cab	
Right armrest — Functions	15-34	Access ladder	30-1
Multi-function lever — Functions	15-36	Door	30-3
Roof console — Functions	15-38	Operator's seat	30-3
Steering column — Functions	15-40	Lumbar support	30-4
Warning Devices and Monitors		Left armrest	30-4
Indicator lights I	20-1	Right armrest	30-4
Indicator lights II	20-5	Ashtray	30-6
Fuel gauge	20-10	Passenger seat	30-6
Coolant temperature gauge	20-10	Storage compartment for operator's manual	30-6
Header height gauge	20-10	Cooling compartment	30-7
Distributor plate gauge	20-11	Steering column	30-7
Infotrak monitor	20-11	Foot brakes	30-8
Cylinder speed alarm	20-16	Parking brake	30-8
SERVICE information	20-17	Releasing parking brake	30-9
Automatic adjustments	20-18	Sun visor	30-9
Combine data center	20-19	Outside mirrors	30-10
Area counter	20-22	Curb mirror	30-10
Operational diagrams	20-26	Switching on heater	30-10
Low shaft speed monitor system	20-39	Adjustable air louvers	30-11
Harvest performance monitor	20-41	Interior lighting	30-11
Preliminary adjustments	20-42	Digital clock	30-12
Switching on harvest performance monitor	20-42	Radio and Citizens' Band	30-12
Adjusting/selecting unit	20-43	Rear window of cab	30-13
Operational adjustment	20-44		

Continued on next page

All information, illustrations and specifications in this manual are based on the latest information available at the time of publication. The right is reserved to make changes at any time without notice.

OMZ92125 A3-19-05FEB01

COPYRIGHT© 1992
DEERE & COMPANY
European Office Mannheim
All rights reserved
A John Deere ILLUSTRATION™ Manual

Contents

	Page		Page
Pre-Starting Checks			
Daily checks	35-1	Cutting platform	55-2
Engine oil level	35-1	Feeder house	55-2
Hydraulic oil level	35-1	Separator	55-2
Coolant level	35-2	Adjusting cylinder and concave	55-3
Fuel level	35-2	Normal crops	55-3
Tires	35-2	Coarse crops	55-4
Fuel system	35-3	Separating process	55-4
Lubricating the combine	35-3	Grain cleaning process	55-5
Checks in operator's cab	35-3	Grain recovery	55-5
Operating the Engine			
Engine break-in	40-1	Evaluating threshing action	55-6
Starting the engine	40-1	Checking straw at rear of combine	55-6
Engine oil pressure indicator light	40-4	Grain tank sample	55-6
Warming up engine	40-4	Checking tailings	55-7
Idling the engine	40-4	Identifying threshing problems	55-7
Cold-weather starting aid	40-5	Overthreshing	55-8
Coolant preheater	40-7	Underthreshing	55-8
Booster battery	40-8	Adjusting fan speed	55-9
Stopping the engine	40-9	Adjusting the chaffer	55-10
Cold-weather operation	40-9	Slope Master system	55-11
Driving and Transporting Harvester			
Driving the harvester	45-1	Adjusting the sieve	55-12
Releasing parking brake	45-1	Acceptable grain losses	55-12
Operating foot brakes	45-2	The meaning of grain losses	55-12
Engaging a gear	45-2	Determining grain losses	55-13
Road safety switch	45-3	Causes of grain losses	55-15
Adjusting engine speed	45-3	Cutting platform losses	55-15
Raising header	45-3	Threshing unit losses	55-15
Forward and reverse travel	45-4	Straw walker losses	55-16
Ground speed	45-4	Sieve losses	55-16
Hydrostatic system	45-5	Prevention of grain losses — General	55-17
Four-wheel drive	45-6	Threshing adjustments	55-18
Transport information	45-6	Combine settings and automatic adjustments	55-19
Towing the harvester	45-8	Additional combine settings	55-20
Wheels and Axles			
Tire maintenance	50-1	Preparations before changing crop	55-21
Wheel bolts and nuts	50-1	Preparations for harvesting peas	55-21
Mounting tires	50-2	Preparations for harvesting corn	55-22
Changing tires	50-3	Harvesting corn/cob mix (CCM)	55-22
Drive wheels	50-4	Preparations for harvesting oil seed crops	55-22
Steered wheels	50-8	Operating the combine harvester	55-23
Tire pressures	50-9	Header float control	55-26
Preparations and Field Operation			
Choice of harvesting time	55-1	Header function resume	55-26
Avoiding grain losses	55-1	Feeder House	
		Electrical and hydraulic connections	60-1
		Securing header lift cylinder	60-1
		Service flaps	60-1
		Chain tension	60-2
		Adjusting height of feeder drum	60-3
		Slip clutch on upper feeder shaft	60-3
		Stripper on top feeder shaft	60-4

Continued on next page

Contents

	Page		Page
Drive belt, top feeder drum	60-4	Separate adjustment of deflectors	70-5
Bottom unit, feeder house variator	60-5	Adjusting counter-knives	70-6
Reverser shifter fork and cable	60-6	Chopping corn and sunflowers	70-6
		Removing counter-knives	70-7
		Splitting and chopping	70-7
		Replacing rotating knives	70-8
Separator and Cleaning Unit		Grain Tank Loading and Unloading	
Service flaps	65-1	Service openings	75-1
Opening stone trap bottom plate	65-2	Grain tank cover	75-3
Grain pan inserts	65-2	Opening the grain tank cover	75-3
Cylinder rasp bars	65-3	Checking and tensioning feeder chains	75-4
Cylinder reduction gear	65-3	Unloading drive overload protection	75-5
Turning the cylinder	65-4	Cover for unloading auger	75-5
Cylinder filler plates	65-5	Sensor for grain tank filling gauge	75-6
Grain concave	65-5	Spill guard on discharge tube outlet	75-6
Corn concave	65-6		
Universal concave	65-6	Fuel, Lubricants, Coolant and Capacities	
Booster bar	65-6	Fuel	80-1
Special rasp bar	65-7	Engine oil	80-3
De-awning plates	65-7	Engine coolant	80-4
Adjusting the concave	65-8	Transmission oil	80-5
Changing the concave	65-8	Changing transmission oil	80-8
Concave basic setting	65-8	Transmission/hydraulic oil	80-9
Adjusting the concave	65-10	Brake fluid	80-10
Second cylinder	65-11	Grease	80-11
Second concave	65-11	Alternative lubricants	80-11
Finger rakes	65-12	Lubricant storage	80-12
Cross-shaker tines	65-12		
Straw walkers	65-13	Lubrication Chart, Periodic Service	
Fan and windboard	65-14	Lubrication charts	85-1
Sieve variants	65-15	Break-in period	85-11
Chaffer and sieve adjustment	65-17	Service intervals	85-11
Chaffer extension	65-18	Every 10 hours	85-12
Chaffer extension inserts	65-19	After the first 100 hours	85-12
Removing chaffer extension	65-20	Every 250 hours	85-13
Removing chaffer	65-20	Every 500 hours	85-13
Removing sieve	65-21	Every 1000 hours	85-13
		Every 1500 hours	85-14
		As required	85-14
		Once every year	85-14
		Every 2 years	85-14
Chaff Spreader and Straw Chopper		Service — Engine	
Chaff spreader	70-1	Access to engine	90-1
Operation	70-1	Engine compartment	90-1
Guard rail	70-1	Adjusting engine valve tappets	90-2
Folding down the chaff spreader	70-2	Checking engine crankcase oil level	90-2
Hydraulic connections	70-2	Oil and filter change — 6.8-L engine	90-3
Straw chopper	70-3	Oil and filter change — 7.6-L engine	90-4
Switching chopper on and off	70-3		
Folding out the straw distributor	70-4		
Adjusting the straw distributor	70-4		
Driving on public roads	70-4		
Adjusting straw deflectors	70-5		
Electrical adjustment, centrally	70-5		
Mechanical adjustment, centrally	70-5		

Continued on next page

Contents

	Page		Page
Service — Fuel system	90-5	Fuses on fuse board	100-6
Fuel system — 6.8-L engine	90-6	Relays on fuse board	100-8
Fuel system — 7.6-L engine	90-7	Relay and diode board	100-9
Fuel tank filler neck	90-8	Solenoid valves — Basic machine	100-10
Fuel tank water trap	90-8	Solenoid valves — Hillmaster	100-11
Water separator	90-8	Error codes, infotrak monitor	100-12
Fuel transfer pump — 6.8-L engine	90-9	Error codes, reel speed control	100-14
Fuel filter — 6.8-L engine	90-10		
Fuel filter — 7.6-L engine	90-11	Service — Hydraulic System	
Injection nozzles — 7.6-L engine	90-12	Pressure relief valve	105-1
Bleeding the fuel system	90-12	System description	105-2
Access to cooling elements	90-14	Hydraulic components	105-3
Layout of cooling elements	90-15	Hydraulic components, Hillmaster	105-5
Engine coolant	90-16	Hydraulic components, chaff spreader	105-6
Flushing the cooling system	90-17	Actuating electro-magnetic valves	105-7
Replacing thermostats	90-20	Accumulator	105-9
Drive belts — 6.8-L engine	90-21	Draining hydraulic oil	105-10
Drive belts — 7.6-L engine	90-21	Replacing hydraulic oil filter	105-11
Air intake system	90-22	Refilling hydraulic oil	105-12
Air cleaner (primary) element	90-24	Temperature/pressure sending units	105-13
Turbocharger	90-29		
Crankshaft vibration damper	90-30	Service — Ground Speed Drive	
		Brake system	110-1
Service — Drives		Brake fluid reservoir	110-2
Layout of drives on left-hand side	95-1	Adjusting foot brakes	110-2
Summary of belts, left-hand side	95-2	Parking brake	110-2
Layout of drives on right-hand side	95-3	Hydrostatic drive components	110-3
Summary of belts, right-hand side	95-4	Oil cooler	110-4
Adjusting belts	95-4	Oil and filter change	110-5
Main countershaft	95-5	Transmission	110-6
Unloading drive	95-6	Final drives	110-7
Cylinder drive intermediate countershaft	95-7	Rear axle toe-in	110-8
Adjusting fan variator	95-8	Rear wheel tread	110-9
Clean grain elevator, grain tank loading	95-9	Steering components	110-11
Countershaft, slip clutch/grain elevator	95-9		
Slip clutch for straw walker drive	95-10	Service — Air Conditioning and Heating	
Belt tensioners	95-11	Air conditioning components	115-1
Drive chains	95-12	Heater components	115-2
Tailings elevator drive chain	95-12	Air intake and distribution	115-3
Tailings auger drive chain	95-12	Operating air conditioning system	115-4
Unloading drive countershaft	95-13	Combines without air conditioning	115-4
Drive chain for grain tank unloading	95-13	Compressor	115-5
V-belts	95-13	Refrigerant level	115-6
		Low pressure switch	115-6
Service — Electrical System		High pressure switch	115-7
Specifications	100-1	Cleaning condenser	115-7
Batteries	100-1	Cab air filters	115-7
Alternators	100-3	Air intake opening	115-9
Starting motor	100-4	Condensed water drain hose	115-10
Electronic boards	100-5		

Continued on next page

Contents

Page

Storage

After the season 120-1
Removing combine from storage 120-4

Specifications

Operating speeds 125-1
2054 Combine 125-2
2054 Hillmaster 125-6
2056 Combine 125-10
2056 Hillmaster 125-14
2058 Combine 125-18
2058 Hillmaster 125-22
2064 Combine 125-26
2064 Hillmaster 125-30
2066 Combine 125-34
2066 Hillmaster 125-38
Dimensions (2054, 2056) 125-42
Dimensions (2058, 2064) 125-44
Dimensions (2066) 125-46

Serial Numbers

Type plates 130-1
Serial numbers 130-1

Index

Contents

Identification View



-JUN-22MAY95
ZX004251

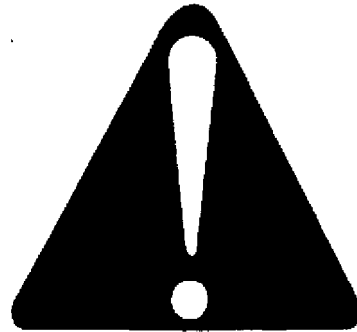
ZX,OMXZC0001970-19-13NOV92

Safety

RECOGNIZE SAFETY INFORMATION

This is the safety-alert symbol. When you see this symbol on your machine or in this manual, be alert to the potential for personal injury.

Follow recommended precautions and safe operating practices.



DX,ALERT -19-04JUN90

T81389 -UN-07DEC68

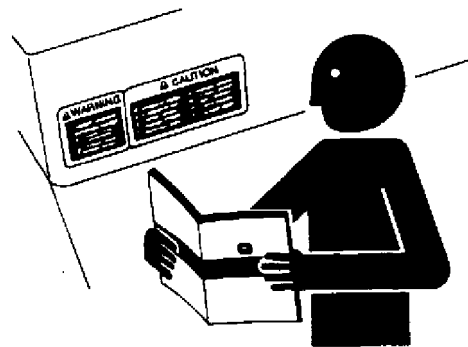
FOLLOW SAFETY INSTRUCTIONS

Carefully read all safety messages in this manual and on your machine safety signs. Keep safety signs in good condition. Replace missing or damaged safety signs. Be sure new equipment components and repair parts include the current safety signs. Replacement safety signs are available from your John Deere dealer.

Learn how to operate the machine and how to use controls properly. Do not let anyone operate without instruction.

Keep your machine in proper working condition. Unauthorized modifications to the machine may impair the function and/or safety and affect machine life.

If you do not understand any part of this manual and need assistance, contact your John Deere dealer.



DX,READ -19-04JUN90

T5201 -UN-23AUG88

UNDERSTAND SIGNAL WORDS

A signal word—DANGER, WARNING, or CAUTION—is used with the safety-alert symbol. DANGER identifies the most serious hazards.

DANGER or WARNING safety signs are located near specific hazards. General precautions are listed on CAUTION safety signs. CAUTION also calls attention to safety messages in this manual.



DX,SIGNAL -19-09JAN92

TS187 -19-30SEP88



OBSERVE ROAD TRAFFIC REGULATIONS

Always observe local road traffic regulations when using public roads.



H28930 -UN-30JUN89

FX,ROAD -19-01MAY91



CAUTION: Avoid possible injury or death from machinery runaway.

Do not start engine by shorting across starter terminals. Machine will start in gear if normal circuitry is bypassed.

NEVER start engine while standing on ground. Start engine only from operator's seat, with transmission in neutral or park.

DX,BYPAS -19-26JAN90

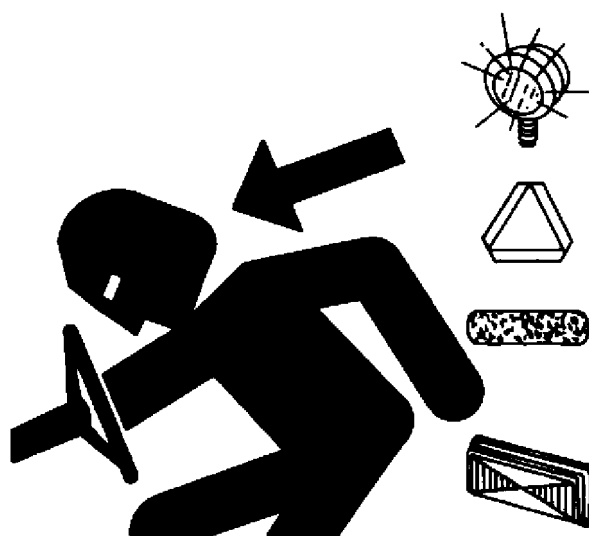


USE SAFETY LIGHTS AND DEVICES

Slow moving tractors, self-propelled equipment and towed implements or attachments can create a hazard when driving on public roads. They are difficult to see, especially at night. Avoid personal injury or death resulting from collision with a vehicle.

If legally permitted, use flashing warning lights or rotary beacons whenever driving on public roads. To increase visibility, use the lights and devices provided with your machine. For some equipment, install additional flashing warning lights.

Keep safety items in good condition. Replace missing or damaged items. An implement safety lighting kit is available from your John Deere dealer.



TS951
-UN-12APR90

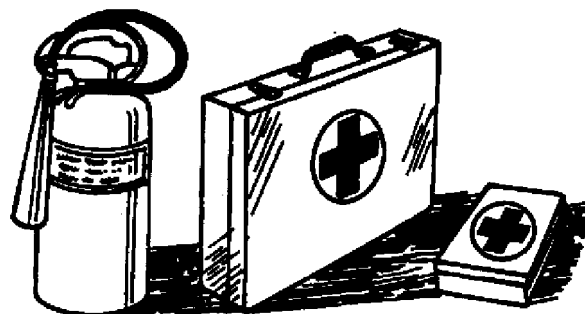
ZX,FLASH -19-01OCT91

PREPARE FOR EMERGENCIES

Be prepared if a fire starts.

Keep a first aid kit and fire extinguisher handy.

Keep emergency numbers for doctors, ambulance service, hospital, and fire department near your telephone.



TS291
-UN-23AUG88

DX,FIRE2 -19-04JUN90



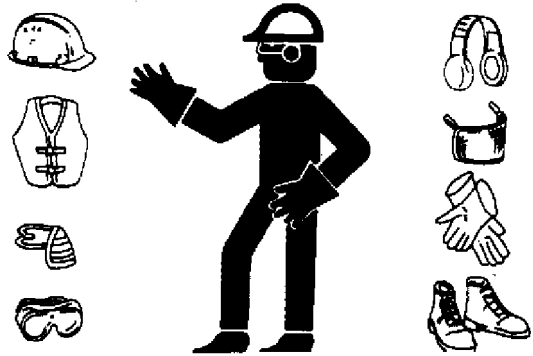
WEAR PROTECTIVE CLOTHING

Wear close fitting clothing and safety equipment appropriate to the job.

Prolonged exposure to loud noise can cause impairment or loss of hearing.

Wear a suitable hearing protective device such as earmuffs or earplugs to protect against objectionable or uncomfortable loud noises.

Operating equipment safely requires the full attention of the operator. Do not wear radio or music headphones while operating machine.



DX,WEAR -19-10SEP90

TS206 -UN-23AUG88

HANDLE FUEL SAFELY—AVOID FIRES

Handle fuel with care: it is highly flammable. Do not refuel the machine while smoking or when near open flame or sparks.

Always stop engine before refueling machine. Fill fuel tank outdoors.

Prevent fires by keeping machine clean of accumulated trash, grease, and debris. Always clean up spilled fuel.



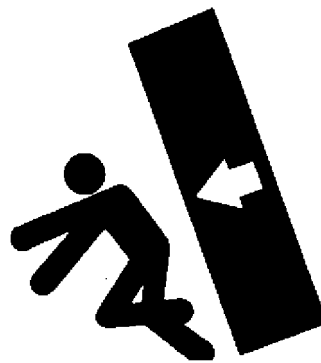
DX,FIRE1 -19-04JUN90

TS202 -UN-23AUG88

STORE ATTACHMENTS SAFELY

Stored attachments such as dual wheels, cage wheels, and loaders can fall and cause serious injury or death.

Securely store attachments and implements to prevent falling. Keep playing children and bystanders away from storage area.



DX,STORE -19-04JUN90

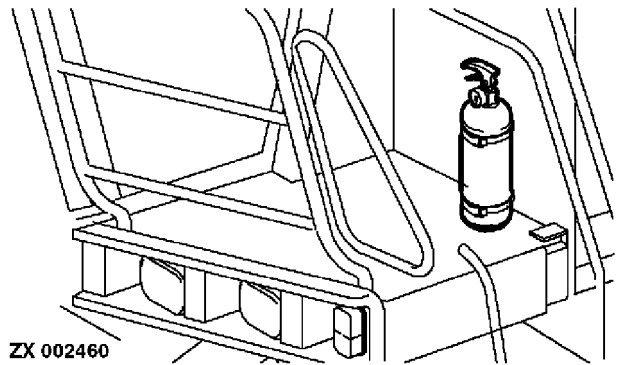
TS219 -UN-23AUG88



FIRE EXTINGUISHER LOCATION

Keep the engine clean and free of dust, chaff and straw to prevent the possibility of a fire.

A 6 kg (18 lb) general purpose fire extinguisher (type A, B and C) should be installed on the left-hand side of the operator's platform.



ZX002460 -UN-16JUN95

ZX, FIREXZCO -19-27JAN92

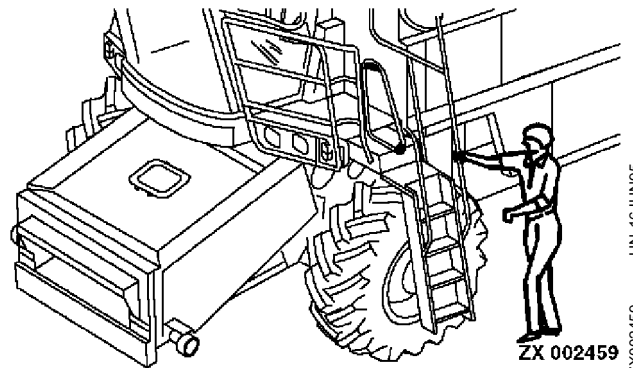
CHECK MACHINE SAFETY

Always check the road and general operating safety of the machine before using.

FX, READY -19-28FEB91

MOUNT AND DISMOUNT SAFELY

Use handrail when mounting or dismounting the combine.



ZX002459 -UN-16JUN95

ZX, HANDLEXZCO -19-27JAN92

RIDERS

Only allow the operator and one rider on the machine.

Other riders are subject to injury such as being thrown off the machine and obstruct the operator's view resulting in the machine being operated in an unsafe manner.

One rider is permitted, since the machine is equipped with a factory-approved passenger seat.



-UN-23AUG88

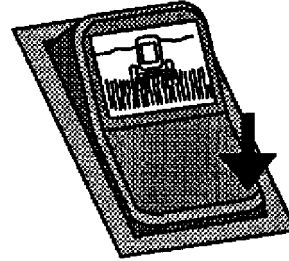
ZX, PASSENGER -19-02OCT91



ROAD SAFETY SWITCH

IMPORTANT: Before driving combine on public roads, make sure that road safety switch is in road position. Also move harvesting unit and unloading auger to transport position.

This ensures that all hydraulic functions — with exception of the steering system — are not working.



ZX 002458

ZX, SWITCHXZCO -19-27JAN92

-UN-23OCT00
ZX002458

DRIVING THE COMBINE

Operate machine only when all guards are correctly installed.

Before moving away, always check immediate vicinity of machine (e.g. for children). Ensure adequate visibility. Use the horn as a warning immediately before moving away.

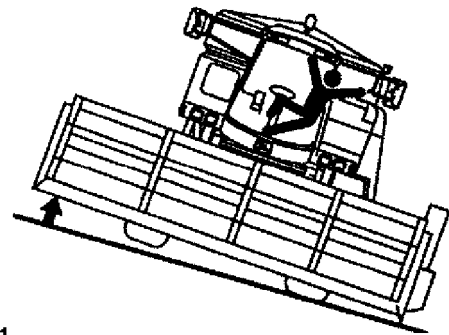
Always adapt ground speed to road or field conditions. Avoid making sharp turns when driving up or down slopes or when driving across a slope. Be especially careful when turning on slopes with full grain tank.

Attach harvesting units and other implements to combine with extreme care.

When making turns, always take into consideration the width of the attachment and the fact that the rear end of the combine swings out. Attachments and ground conditions affect the driving characteristics of the combine.

Reduce ground speed when driving on slopes or over uneven ground and before making sharp turns. Before descending a steep hill, shift to a lower gear.

Avoid holes, ditches and obstructions which may cause the combine to tip, particularly on hillsides.



ZX002461

ZX, DRIVEXZCO -19-27JAN92

-UN-16JUN95
ZX002461

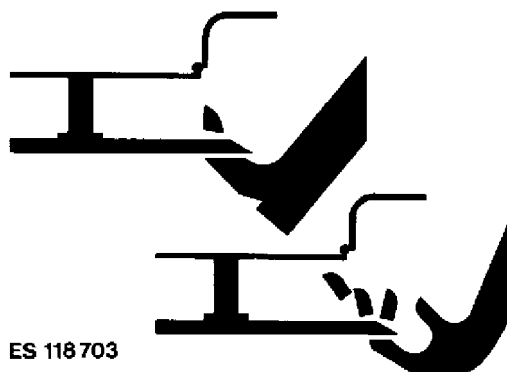


GUARDS AND SHIELDS

Keep guards and shields in place at all times. Ensure that they are serviceable and installed correctly.

Always disengage main clutch, shut off engine and remove key before removing any guards or shields.

Keep hands, feet and clothing away from moving parts.



ES 118 703

FX,DEVICE -19-04DEC90

ES118703 -UN-21MAR95

STAY CLEAR OF HARVESTING UNITS

Cutterbar, auger, reel and feed rolls cannot be completely shielded due to their function. Stay clear of these moving elements during operation. Always disengage main clutch, shut off engine and remove key before servicing or unclogging machine.



ES 118 704

FX,CUT -19-21DEC90

ES118704 -UN-21MAR95

STAY CLEAR OF ROTATING DRIVELINES

Entanglement in rotating driveline can cause serious injury or death.

Keep tractor master shield and driveline shields in place at all times. Make sure rotating shields turn freely.

Wear close fitting clothing. Stop the engine and be sure PTO driveline is stopped before making adjustments, connections, or cleaning out PTO driven equipment.

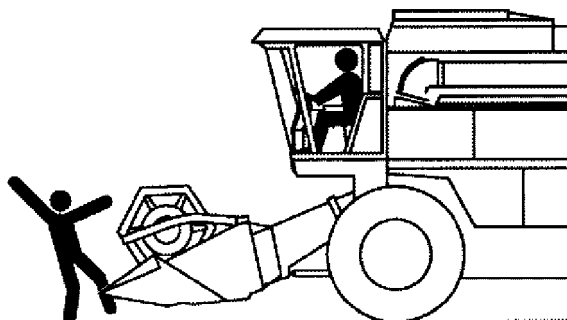


DX,PTO -19-04JUN90

TS198 -UN-23AUG88

TRANSPORT WITH HARVESTING UNIT INSTALLED

Before driving combine on public roads, harvesting unit must be raised and secured in this position. It must not, however, obstruct operator's view of the road. Remove crop dividers (if equipped) and install protective cover.



ZX002462

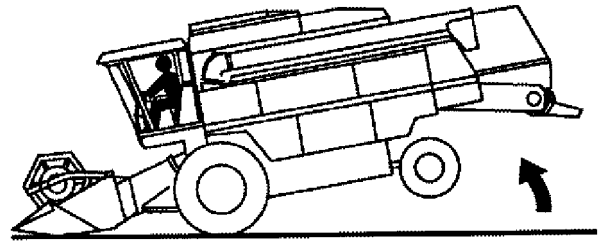
ZX,HEADERXZCO -19-27JAN92

ZX002462 -UN-16JUN95



BALLASTING FOR SAFE GROUND CONTACT

Operating, steering and braking performance of the combine can be considerably affected by attachments which alter the center of gravity of the machine. To maintain safe ground contact, ballast the combine at the rear end as necessary. Observe the maximum permissible axle loads and total weights.



ZX002463

ZX,WEIGHTXZCO -19-27JAN92

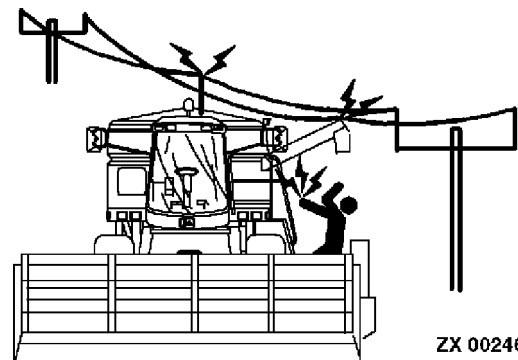
-UN-16JUN95
ZX002463

RADIO AERIAL

If radio aerial is not secured in its transport position before driving on public roads, it may come into contact with low-hanging electrical cables. This would result in the operator suffering a severe electrical shock.

To avoid electrical shock, no portion of the machine should be higher than 4 m.

Before transporting machine, bend aerial or remove it.



ZX 002464

ZX,ANTENNAZCO -19-27JAN92

-UN-16JUN95
ZX002464

PARKING AND LEAVING THE COMBINE

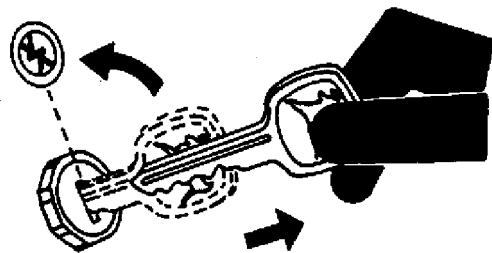
Lower harvesting unit to the ground.

Before leaving the combine, disengage harvesting unit and separator. Shut off engine and move gear shift lever to neutral. Apply parking brake, remove key and lock the operator's cab. Position chock blocks.

NOTE: Use only chock blocks provided with the machine.

Never leave combine unattended as long as engine is running.

Never leave the operator's cab when driving.



ZX,PARKXZCO -19-13APR92

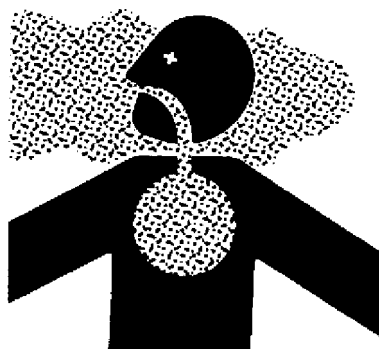
-UN-24MAY89
TS230



WORK IN VENTILATED AREA

Engine exhaust fumes can cause sickness or death. If it is necessary to run an engine in an enclosed area, remove the exhaust fumes from the area with an exhaust pipe extension.

If you do not have an exhaust pipe extension, open the doors and get outside air into the area.



DX,AIR -19-04JUN90

TS220 -UN-23AUG88

PRACTICE SAFE MAINTENANCE

Understand service procedure before doing work. Keep area clean and dry.

Never lubricate or service machine while it is moving. Keep hands, feet, and clothing from power-driven parts. Disengage all power and operate controls to relieve pressure. Lower equipment to the ground. Stop the engine. Remove the key. Allow machine to cool.

Securely support any machine elements that must be raised for service work.

Keep all parts in good condition and properly installed. Fix damage immediately. Replace worn or broken parts. Remove any buildup of grease, oil, or debris.

Disconnect battery ground cable (-) before making adjustments on electrical systems or welding on machine.



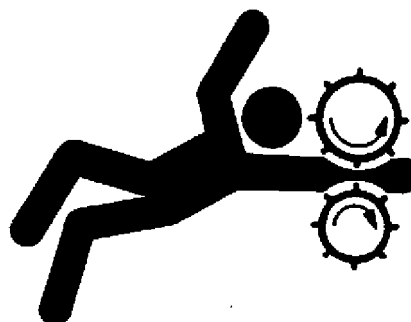
DX,SERV -19-04JUN90

TS218 -UN-23AUG88

SERVICE MACHINES SAFELY

Tie long hair behind your head. Do not wear a necktie, scarf, loose clothing, or necklace when you work near machine tools or moving parts. If these items were to get caught, severe injury could result.

Remove rings and other jewelry to prevent electrical shorts and entanglement in moving parts.



DX,LOOSE -19-04JUN90

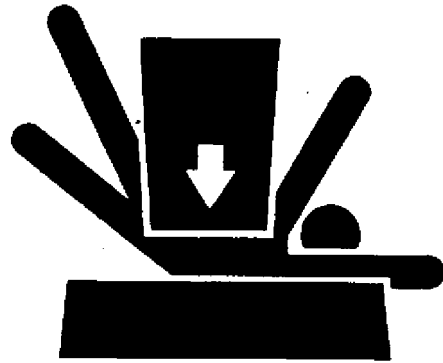
TS228 -UN-23AUG88



SUPPORT MACHINE PROPERLY

Always lower the attachment or implement to the ground before you work on the machine. If you must work on a lifted machine or attachment, securely support the machine or attachment.

Do not support the machine on cinder blocks, hollow tiles, or props that may crumble under continuous load. Do not work under a machine that is supported solely by a jack. Follow recommended procedures in this manual.

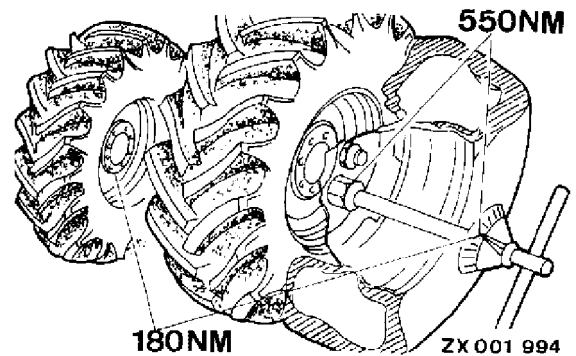


DX,LOWER -19-04JUN90

-UN-23AUG68
TS229

RETORQUE WHEEL NUTS

Retorque wheel nuts as specified in Sections "Wheels and Ballast" and "Lubrication, Periodic Services". Failure to do this could result in a wheel falling off during operation, causing the machine to tip over with serious injury to the operator and extensive damage to the machine.



ZX.NUTS -19-11MAY92

-UN-03APR95
ZX001994



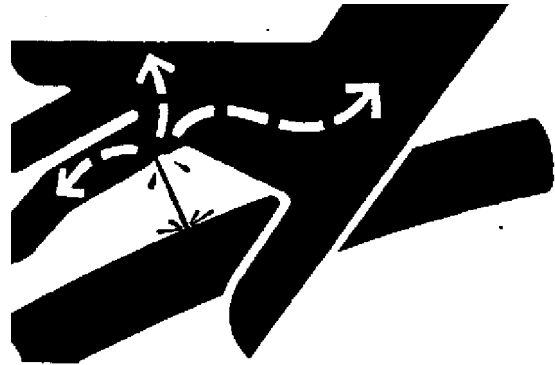
AVOID HIGH-PRESSURE FLUIDS

Escaping fluid under pressure can penetrate the skin causing serious injury.

Avoid the hazard by relieving pressure before disconnecting hydraulic or other lines. Tighten all connections before applying pressure.

Search for leaks with a piece of cardboard. Protect hands and body from high pressure fluids.

If an accident occurs, see a doctor immediately. Any fluid injected into the skin must be surgically removed within a few hours or gangrene may result. Doctors unfamiliar with this type of injury should reference a knowledgeable medical source. Such information is available from Deere & Company Medical Department in Moline, Illinois, U.S.A.



X9811 -JUN-23AUG88

DX,FLUID -19-09AUG91

PREVENT BATTERY EXPLOSIONS

Keep sparks, lighted matches, and open flame away from the top of battery. Battery gas can explode.

Never check battery charge by placing a metal object across the posts. Use a volt-meter or hydrometer.

Do not charge a frozen battery; it may explode. Warm battery to 16°C (60°F).



TS204 -JUN-23AUG88

DX,SPARKS -19-04JUN90



PREVENT ACID BURNS

Sulfuric acid in battery electrolyte is poisonous. It is strong enough to burn skin, eat holes in clothing, and cause blindness if splashed into eyes.

Avoid the hazard by:

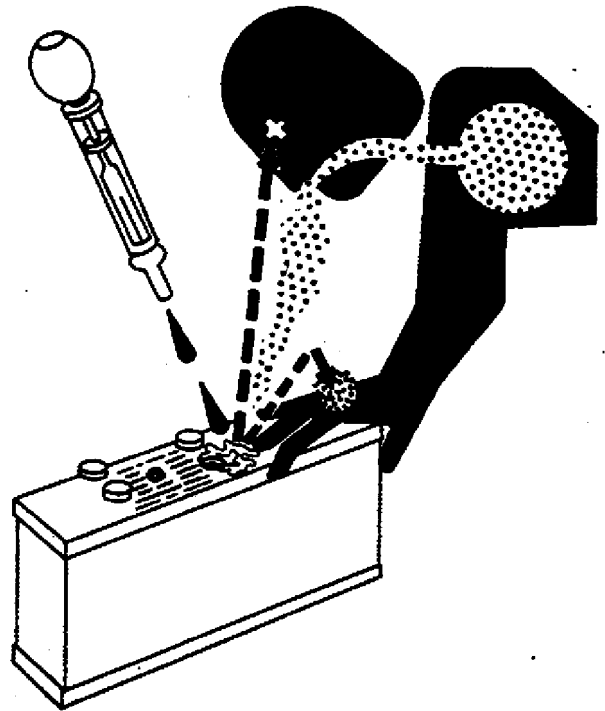
1. Filling batteries in a well-ventilated area.
2. Wearing eye protection and rubber gloves.
3. Avoiding breathing fumes when electrolyte is added.
4. Avoiding spilling or dripping electrolyte.
5. Use proper jump start procedure.

If you spill acid on yourself:

1. Flush your skin with water.
2. Apply baking soda or lime to help neutralize the acid.
3. Flush your eyes with water for 10—15 minutes. Get medical attention immediately.

If acid is swallowed:

1. Drink large amounts of water or milk.
2. Then drink milk of magnesia, beaten eggs, or vegetable oil.
3. Get medical attention immediately.



DX.POISON -19-04JUN90

TSS203 -UN-23AUG88



SERVICE TIRES SAFELY

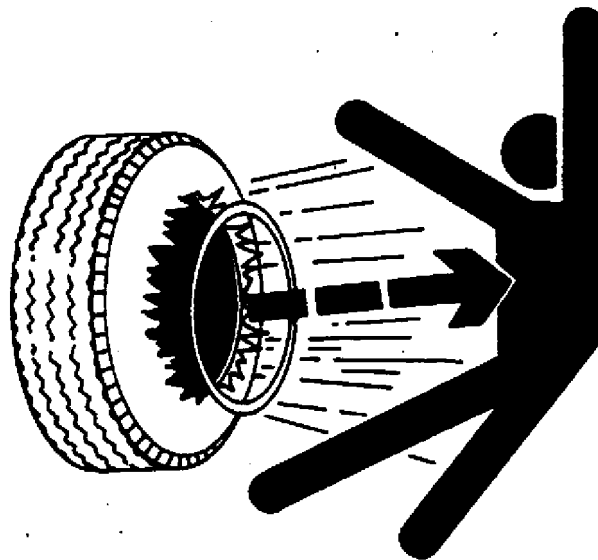
Explosive separation of a tire and rim parts can cause serious injury or death.

Do not attempt to mount a tire unless you have the proper equipment and experience to perform the job.

Always maintain the correct tire pressure. Do not inflate the tires above the recommended pressure. Never weld or heat a wheel and tire assembly. The heat can cause an increase in air pressure resulting in a tire explosion. Welding can structurally weaken or deform the wheel.

When inflating tires, use a clip-on chuck and extension hose long enough to allow you to stand to one side and NOT in front of or over the tire assembly. Use a safety cage if available.

Check wheels for low pressure, cuts, bubbles, damaged rims or missing lug bolts and nuts.



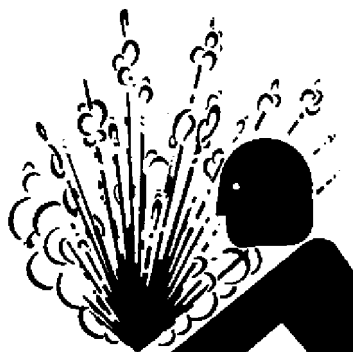
TS211
-UN-23AUG88

DX,RIM -19-24AUG90

SERVICE COOLING SYSTEM SAFELY

Explosive release of fluids from pressurized cooling system can cause serious burns.

Shut off engine. Only remove filler cap when cool enough to touch with bare hands. Slowly loosen cap to first stop to relieve pressure before removing completely.



TS281
-UN-23AUG88

DX,RCAP -19-04JUN90

Thank you so much for reading.
Please click the “Buy Now!”
button below to download the
complete manual.



After you pay.

You can download the most
perfect and complete manual in
the world immediately.

Our support email:

ebooklibonline@outlook.com