

**2254, 2256, 2258,  
2264 and 2266  
Combines**  
(from serial no. 067678)

**John Deere Werke Zweibrücken  
OMZ92638 Issue D8**

**European Edition**

Printed in Germany

**ENGLISCH**

# Contents

	Page		Page
<b>Identification Views</b> . . . . .	00-1	Operational check . . . . .	20-53
<b>Safety</b> . . . . .	05-1	Straw warning device . . . . .	20-54
<b>Safety Decals</b> . . . . .	10-1	<b>Lighting System and Signals</b>	
<b>Controls and Instruments</b>		Parking light and low beam . . . . .	25-1
General view of controls and instruments . . . . .	15-1	Full beam . . . . .	25-1
Switch console . . . . .	15-2	Turn signals . . . . .	25-2
Multi-function lever . . . . .	15-8	Work lights . . . . .	25-4
Corner post . . . . .	15-9	Beacon lights . . . . .	25-7
Roof switch console . . . . .	15-10	Hazard warning lights . . . . .	25-8
Roof console . . . . .	15-11	Indicator light bulb test . . . . .	25-8
Steering column . . . . .	15-12	<b>Operator's Cab</b>	
Switch console — Functions . . . . .	15-13	Door . . . . .	30-3
Right armrest — Functions . . . . .	15-42	Operator's seat . . . . .	30-3
Multi-function lever — Functions . . . . .	15-44	Lumbar support . . . . .	30-4
Roof console — Functions . . . . .	15-49	Left armrest . . . . .	30-4
Steering column — Functions . . . . .	15-51	Right armrest . . . . .	30-4
<b>Warning Devices and Monitors</b>		Ashtray . . . . .	30-5
Indicator lights I . . . . .	20-1	Passenger seat . . . . .	30-6
Indicator lights II . . . . .	20-6	Storage compartment for operator's manuals . . . . .	30-6
Header height gauge . . . . .	20-11	Cooling compartment . . . . .	30-7
Distributor plate gauge . . . . .	20-12	Steering column . . . . .	30-7
Fuel gauge . . . . .	20-12	Foot brakes . . . . .	30-8
Coolant temperature gauge . . . . .	20-12	Parking brake . . . . .	30-8
Infotrak monitor . . . . .	20-15	Releasing parking brake . . . . .	30-9
Cylinder speed alarm . . . . .	20-22	Sun visor . . . . .	30-9
SERVICE information . . . . .	20-23	Outside mirrors . . . . .	30-10
Automatic adjustments . . . . .	20-24	Rear window of cab . . . . .	30-10
Combine data center . . . . .	20-25	Switching on heater . . . . .	30-10
Area counter . . . . .	20-28	Adjustable air louvers . . . . .	30-11
Operational diagrams . . . . .	20-32	Interior lighting . . . . .	30-12
Low shaft speed monitor system . . . . .	20-46	Radio and CB radio . . . . .	30-12
Harvest performance monitor . . . . .	20-48	<b>Pre-Starting Checks</b>	
Preliminary adjustments . . . . .	20-49	Daily checks . . . . .	35-1
Switching on harvest performance monitor . . . . .	20-49	Engine oil level . . . . .	35-1
Operational adjustment . . . . .	20-50	Hydraulic oil level . . . . .	35-1
Sensitivity of sensors . . . . .	20-52	Coolant level . . . . .	35-2

Continued on next page

*All information, illustrations and specifications in this manual are based on the latest information available at the time of publication. The right is reserved to make changes at any time without notice.*

OMZ92638 D8-19-03APR98

COPYRIGHT© 1998  
DEERE & COMPANY  
European Office Mannheim  
All rights reserved  
A John Deere ILLUSTRATION® Manual

## Contents

	<b>Page</b>		<b>Page</b>
Fuel level . . . . .	35-2	Separating process . . . . .	55-4
Tires . . . . .	35-2	Grain cleaning process . . . . .	55-5
Fuel system . . . . .	35-3	Grain recovery . . . . .	55-5
Lubricating the combine . . . . .	35-3	Evaluating threshing action . . . . .	55-6
Checks in operator's cab . . . . .	35-3	Checking straw at rear of combine . . . . .	55-6
<b>Operating the Engine</b>		Grain tank sample . . . . .	55-6
Engine break-in . . . . .	40-1	Checking tailings . . . . .	55-7
Starting the engine . . . . .	40-1	Identifying threshing problems . . . . .	55-7
Engine oil pressure indicator light . . . . .	40-4	Overthreshing . . . . .	55-8
Warming up the engine . . . . .	40-4	Underthreshing . . . . .	55-8
Idling the engine . . . . .	40-4	Adjusting fan speed . . . . .	55-9
Cold-weather starting aid . . . . .	40-5	Adjusting the chaffer . . . . .	55-10
Coolant preheater . . . . .	40-6	Slope Master system . . . . .	55-11
Booster battery . . . . .	40-7	Adjusting the sieve . . . . .	55-12
Stopping the engine . . . . .	40-8	Acceptable grain losses . . . . .	55-12
<b>Driving and Transporting the Combine</b>		The meaning of grain losses . . . . .	55-12
Driving the combine . . . . .	45-1	Determining grain losses . . . . .	55-13
Releasing parking brake . . . . .	45-1	Causes of grain losses . . . . .	55-15
Operating the foot brakes . . . . .	45-2	Cutting platform losses . . . . .	55-15
Engaging a gear . . . . .	45-2	Threshing unit losses . . . . .	55-15
Road safety switch . . . . .	45-3	Straw walker losses . . . . .	55-16
Adjusting engine speed . . . . .	45-3	Sieve losses . . . . .	55-16
Raising header . . . . .	45-3	General prevention of grain losses . . . . .	55-17
Forward and reverse travel . . . . .	45-4	Threshing adjustments . . . . .	55-18
Ground speed . . . . .	45-4	Combine settings and automatic adjustments . . . . .	55-19
Hydrostatic system . . . . .	45-5	Additional combine settings . . . . .	55-20
Transport information . . . . .	45-5	Preparations before changing crop . . . . .	55-21
Four-wheel drive . . . . .	45-7	Changing the harvesting unit . . . . .	55-22
Towing the combine . . . . .	45-8	Preparations for harvesting grain crops . . . . .	55-22
<b>Wheels, Axles and Additional Weights</b>		Preparations for harvesting rye . . . . .	55-23
Tire maintenance . . . . .	50-1	Preparations for harvesting peas . . . . .	55-23
Wheel bolts and nuts . . . . .	50-1	Preparations for harvesting corn . . . . .	55-24
Mounting tires . . . . .	50-2	Harvesting corn/cob mix (CCM) . . . . .	55-24
Changing tires . . . . .	50-3	Preparations for harvesting oil seed crops . . . . .	55-25
Driven wheels . . . . .	50-3	Preparations for harvesting sunflowers . . . . .	55-25
Steered wheels . . . . .	50-7	Operating the combine harvester . . . . .	55-25
Tire pressures . . . . .	50-9	Header float control . . . . .	55-28
<b>Preparations and Field Operation</b>		Header function resume . . . . .	55-28
Choice of harvesting time . . . . .	55-1	<b>Feeder House</b>	
Avoiding grain losses . . . . .	55-1	Electrical and hydraulic connections . . . . .	60-1
Cutting platform . . . . .	55-2	Securing header lift cylinders . . . . .	60-2
Feeder house . . . . .	55-2	Service flaps . . . . .	60-2
Separator . . . . .	55-2	Chain tension . . . . .	60-3
Adjusting cylinder and concave . . . . .	55-3	Pivoting shield guide rolls . . . . .	60-4
Normal crops . . . . .	55-3	Adjusting height of feeder drum . . . . .	60-4
Coarse crops . . . . .	55-4	Adjusting the area counter switch . . . . .	60-5
		Slip clutch on upper feeder shaft . . . . .	60-6
		Stripper on upper feeder shaft . . . . .	60-7

Continued on next page

## Contents

	Page		Page
Lower unit, feeder house variator . . . . .	60-7	Adjusting deflectors . . . . .	70-6
Reverser shifter fork and cable . . . . .	60-8	Electrical adjustments, centrally . . . . .	70-6
<b>Separator and Cleaning Unit</b>		Mechanical adjustments, centrally . . . . .	70-6
Service flaps . . . . .	65-1	Separate adjustment of deflectors . . . . .	70-7
Opening stone trap bottom plate . . . . .	65-2	Adjusting counter-knives . . . . .	70-7
Grain pan inserts . . . . .	65-2	Chopping corn and sunflowers . . . . .	70-8
Cylinder rasp bars . . . . .	65-3	Removing counter-knives . . . . .	70-8
Cylinder reduction gear . . . . .	65-4	Splitting and chopping . . . . .	70-9
Turning the cylinder . . . . .	65-5	Replacing rotating knives . . . . .	70-10
Cylinder filler plates . . . . .	65-6	<b>Grain Tank Loading and Unloading</b>	
Grain concave . . . . .	65-6	Service openings . . . . .	75-1
Corn concave . . . . .	65-7	Grain tank cover . . . . .	75-3
Universal concave . . . . .	65-7	Opening the grain tank cover . . . . .	75-4
Booster bar . . . . .	65-8	Checking and tensioning feeder chains . . . . .	75-5
Special rasp bar . . . . .	65-8	Unloading drive overload protection . . . . .	75-6
De-awning plates . . . . .	65-9	Cover for unloading auger . . . . .	75-6
Concave settings . . . . .	65-9	Sensor for grain tank filling gauge . . . . .	75-7
Changing the concave . . . . .	65-10	Spill guard on discharge tube outlet . . . . .	75-7
Adjusting the concave . . . . .	65-10	<b>Fuel, Lubricants, Coolant and Capacities</b>	
Second cylinder . . . . .	65-15	Engine oil . . . . .	80-3
Second concave . . . . .	65-15	Coolant . . . . .	80-4
Finger rakes . . . . .	65-16	Transmission oil . . . . .	80-5
Curtain . . . . .	65-16	Changing transmission oil . . . . .	80-8
Straw walkers . . . . .	65-17	Transmission and hydraulic oil . . . . .	80-9
Fishbacks . . . . .	65-19	Brake fluid . . . . .	80-9
Fan and windboard . . . . .	65-21	Grease . . . . .	80-10
Cross-shaker tines . . . . .	65-21	Alternative and synthetic lubricants . . . . .	80-11
Straw deflector plate . . . . .	65-22	Lubricant storage . . . . .	80-11
Metal sheet to separate chaff from straw . . . . .	65-23	<b>Lubrication Charts, Periodic Service</b>	
Side-curtain . . . . .	65-24	Lubrication charts . . . . .	85-1
Sieve variants . . . . .	65-25	Break-in period . . . . .	85-11
Chaffer and sieve adjustment . . . . .	65-27	Service intervals . . . . .	85-11
Chaffer extension . . . . .	65-28	Every 10 hours . . . . .	85-12
Chaffer extension inserts . . . . .	65-29	After the first 100 hours . . . . .	85-12
Removing chaffer extension . . . . .	65-30	Every 250 hours . . . . .	85-13
Removing the chaffer . . . . .	65-30	Every 500 hours . . . . .	85-13
Removing the sieve . . . . .	65-31	Every 1000 hours . . . . .	85-14
<b>Chaff Spreader and Straw Chopper</b>		Every 1500 hours . . . . .	85-14
Chaff spreader . . . . .	70-1	As required . . . . .	85-14
Operation . . . . .	70-1	Once every year . . . . .	85-15
Guard rail . . . . .	70-1	Every 2 years . . . . .	85-15
Folding down the chaff spreader . . . . .	70-2	<b>Service — Engine</b>	
Vanes on chaff spreader rotors . . . . .	70-2	Access to engine . . . . .	90-1
Removing the chaff spreader . . . . .	70-3	Engine compartment . . . . .	90-1
Straw chopper . . . . .	70-4	Adjusting engine valve tappets . . . . .	90-2
Switching chopper on and off . . . . .	70-4	Checking engine crankcase oil level . . . . .	90-2
Adjusting straw distributor box . . . . .	70-5	<b>Continued on next page</b>	
Driving on public roads . . . . .	70-5		

Contents

	Page		Page
Oil and filter change — 6.8-L engine . . . . .	90-3	Electronic boards . . . . .	100-6
Oil and filter change — 8.1-L engine . . . . .	90-4	Fuses on fuse board . . . . .	100-7
Service — fuel system . . . . .	90-5	Relays on fuse board . . . . .	100-9
Fuel system — 6.8-L engine . . . . .	90-6	Relay and diode board . . . . .	100-10
Fuel system — 8.1-L engine . . . . .	90-7	Solenoid valves — standard machine . . . . .	100-13
Fuel tank filler neck . . . . .	90-7	Solenoid valves — Hillmaster . . . . .	100-15
Water trap in fuel system . . . . .	90-8	Solenoid valves — ContourMaster . . . . .	100-17
Fuel transfer pump — 6.8-L engine . . . . .	90-9	Skid plates with sensor straps . . . . .	100-18
Fuel filter — 6.8-L engine . . . . .	90-10	Sensor straps . . . . .	100-19
Fuel filter — 8.1-L engine . . . . .	90-11	Error codes, infotrak monitor . . . . .	100-20
Injection nozzles — 8.1-L engine . . . . .	90-12	Reel speed control board . . . . .	100-32
Bleeding the fuel system . . . . .	90-12	Error codes, reel speed control . . . . .	100-33
Access to cooling elements . . . . .	90-14		
Layout of cooling elements . . . . .	90-15	<b>Service — Hydraulic System</b>	
Engine coolant . . . . .	90-15	Pressure relief valve . . . . .	105-1
Flushing the cooling system . . . . .	90-16	Description of system . . . . .	105-2
Changing the thermostats . . . . .	90-19	Hydraulic components (2254-2264) . . . . .	105-5
Drive belts — 6.8-L engine . . . . .	90-20	Hydraulic components (2266) . . . . .	105-8
Drive belts — 8.1-L engine . . . . .	90-20	Hydraulic components, chaff spreader . . . . .	105-12
Air intake system . . . . .	90-21	Actuating electro-magnetic valves . . . . .	105-15
Air cleaner (primary) element . . . . .	90-23	Accumulators . . . . .	105-18
Turbocharger . . . . .	90-27	Valve block on feeder house . . . . .	105-21
Crankshaft vibration damper . . . . .	90-27	Draing hydraulic oil . . . . .	105-22
		Replacing hydraulic oil filter . . . . .	105-23
		Refilling hydraulic oil . . . . .	105-24
		Temperature/pressure sending unit . . . . .	105-25
<b>Service — Drives and Shields</b>			
Safety shields . . . . .	95-1	<b>Service — Ground Speed Drive</b>	
Adjusting belts . . . . .	95-2	Brake system . . . . .	110-1
Main countershaft . . . . .	95-3	Brake fluid reservoir . . . . .	110-2
Unloading drive . . . . .	95-4	Adjusting the foot brakes . . . . .	110-2
Cylinder drive intermediate countershaft . . . . .	95-5	Parking brake . . . . .	110-2
Adjusting the fan variator . . . . .	95-6	Hydrostatic drive components . . . . .	110-3
Clean grain elevator, grain tank filling . . . . .	95-7	Oil and filter change . . . . .	110-4
Slip clutch countershaft (clean grain elevator) . . . . .	95-7	Transmission . . . . .	110-6
Slip clutch for straw walker drive . . . . .	95-8	Final drives . . . . .	110-7
Slip clutch for tailings elevator . . . . .	95-8	Rear wheel toe-in . . . . .	110-9
Belt tensioners . . . . .	95-9	Rear wheel tread . . . . .	110-10
Drive chains . . . . .	95-10	Steering components . . . . .	110-12
Tailings elevator drive chain . . . . .	95-10		
Tailings auger drive chain . . . . .	95-10	<b>Service — Air Conditioning and Heating</b>	
Unloading drive countershaft . . . . .	95-11	Air conditioning components . . . . .	115-1
Drive chain for grain tank unloading . . . . .	95-11	Heating components . . . . .	115-2
V-belts . . . . .	95-11	Air intake and distribution . . . . .	115-3
		Compressor . . . . .	115-4
		Refrigerant level . . . . .	115-5
		Low-pressure switch . . . . .	115-5
		High-pressure switch . . . . .	115-6
		Cleaning the condenser . . . . .	115-6
		Cab air filters . . . . .	115-6
<b>Service — Electrical System</b>			
Specifications . . . . .	100-1		
Batteries . . . . .	100-1		
Alternators . . . . .	100-4		
Sockets . . . . .	100-4		
Starting motor . . . . .	100-5		

Continued on next page

Contents

	Page
Air intake opening . . . . .	115-8
Condensation water drain hose . . . . .	115-9
<b>Storage</b>	
After the season . . . . .	120-1
Removing combine from storage . . . . .	120-4
<b>Specifications</b>	
Operating speeds . . . . .	125-1
Dimensions (2254, 2256) . . . . .	125-14
Dimensions (2258, 2264) . . . . .	125-16
Dimensions (2266) . . . . .	125-18
<b>Serial Numbers</b>	
Type plates . . . . .	130-1
<b>Index</b>	

*Contents*

# Identification Views



Hillmaster

-UN-08NOV96  
ZX009520



Standard

-UN-08NOV96  
ZX009519

ZX,OMXZC0001970-19-01NOV96



# Safety

## RECOGNIZE SAFETY INFORMATION

This is the safety-alert symbol. When you see this symbol on your machine or in this manual, be alert to the potential for personal injury.

Follow recommended precautions and safe operating practices.



DX,ALERT -19-03MAR93

T81389 -UN-07DEC68

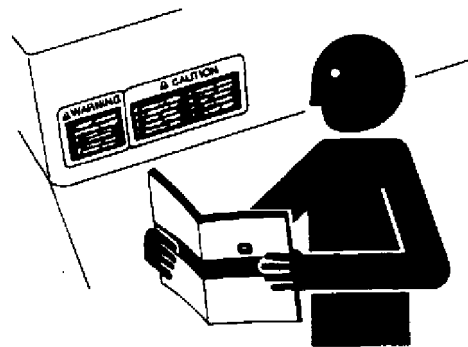
## FOLLOW SAFETY INSTRUCTIONS

Carefully read all safety messages in this manual and on your machine safety signs. Keep safety signs in good condition. Replace missing or damaged safety signs. Be sure new equipment components and repair parts include the current safety signs. Replacement safety signs are available from your John Deere dealer.

Learn how to operate the machine and how to use controls properly. Do not let anyone operate without instruction.

Keep your machine in proper working condition. Unauthorized modifications to the machine may impair the function and/or safety and affect machine life.

If you do not understand any part of this manual and need assistance, contact your John Deere dealer.



DX,READ -19-03MAR93

T5201 -UN-23AUG88

## UNDERSTAND SIGNAL WORDS

A signal word—DANGER, WARNING, or CAUTION—is used with the safety-alert symbol. DANGER identifies the most serious hazards.

DANGER or WARNING safety signs are located near specific hazards. General precautions are listed on CAUTION safety signs. CAUTION also calls attention to safety messages in this manual.



DX,SIGNAL -19-03MAR93

TS187 -19-30SEP88



## OBSERVE ROAD TRAFFIC REGULATIONS

Always observe local road traffic regulations when using public roads.



H28930 -UN-30JUN89

FX,ROAD -19-01MAY91



**CAUTION: Avoid possible injury or death from machinery runaway.**

**Do not start engine by shorting across starter terminals. Machine will start in gear if normal circuitry is bypassed.**

**NEVER start engine while standing on ground. Start engine only from operator's seat, with transmission in neutral or park.**

DX,BYPAS -19-26JAN90

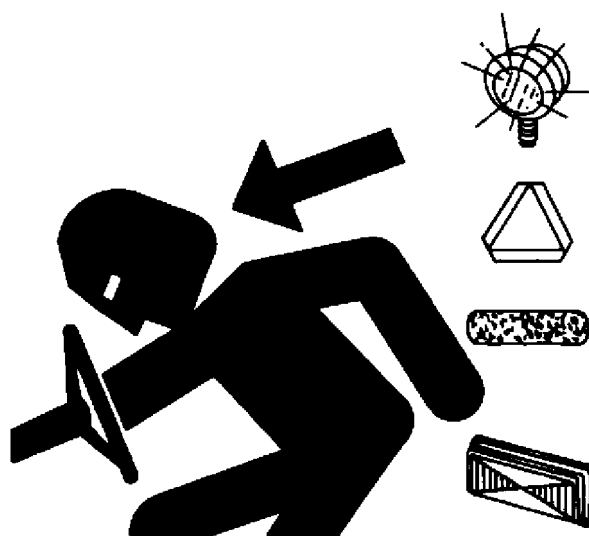


## USE SAFETY LIGHTS AND DEVICES

Slow moving tractors, self-propelled equipment and towed implements or attachments can create a hazard when driving on public roads. They are difficult to see, especially at night. Avoid personal injury or death resulting from collision with a vehicle.

If legally permitted, use flashing warning lights or rotary beacons whenever driving on public roads. To increase visibility, use the lights and devices provided with your machine. For some equipment, install additional flashing warning lights.

Keep safety items in good condition. Replace missing or damaged items. An implement safety lighting kit is available from your John Deere dealer.



TS951  
-UN-12APR90

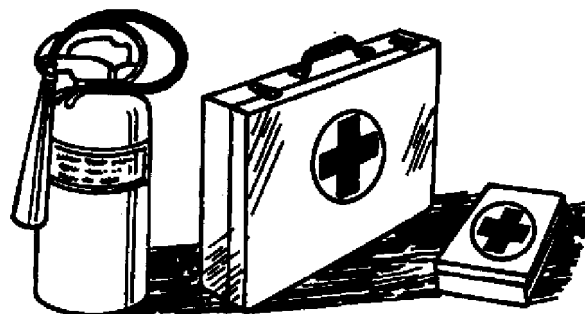
ZX,FLASH -19-01OCT91

## PREPARE FOR EMERGENCIES

Be prepared if a fire starts.

Keep a first aid kit and fire extinguisher handy.

Keep emergency numbers for doctors, ambulance service, hospital, and fire department near your telephone.



TS291  
-UN-23AUG88

DX,FIRE2 -19-03MAR93



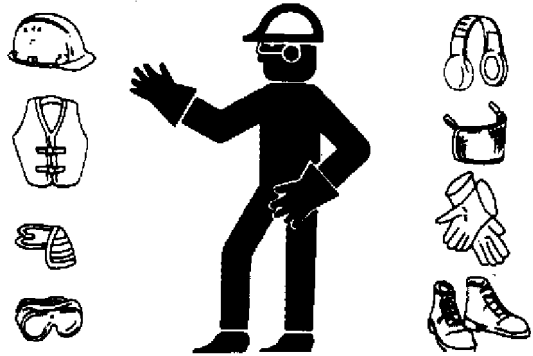
## WEAR PROTECTIVE CLOTHING

Wear close fitting clothing and safety equipment appropriate to the job.

Prolonged exposure to loud noise can cause impairment or loss of hearing.

Wear a suitable hearing protective device such as earmuffs or earplugs to protect against objectionable or uncomfortable loud noises.

Operating equipment safely requires the full attention of the operator. Do not wear radio or music headphones while operating machine.



DX,WEAR -19-10SEP90

TS206 -UN-23AUG88

## HANDLE FUEL SAFELY—AVOID FIRES

Handle fuel with care: it is highly flammable. Do not refuel the machine while smoking or when near open flame or sparks.

Always stop engine before refueling machine. Fill fuel tank outdoors.

Prevent fires by keeping machine clean of accumulated trash, grease, and debris. Always clean up spilled fuel.



DX,FIRE1 -19-03MAR93

TS202 -UN-23AUG88

## STORE ATTACHMENTS SAFELY

Stored attachments such as dual wheels, cage wheels, and loaders can fall and cause serious injury or death.

Securely store attachments and implements to prevent falling. Keep playing children and bystanders away from storage area.



DX,STORE -19-03MAR93

TS219 -UN-23AUG88

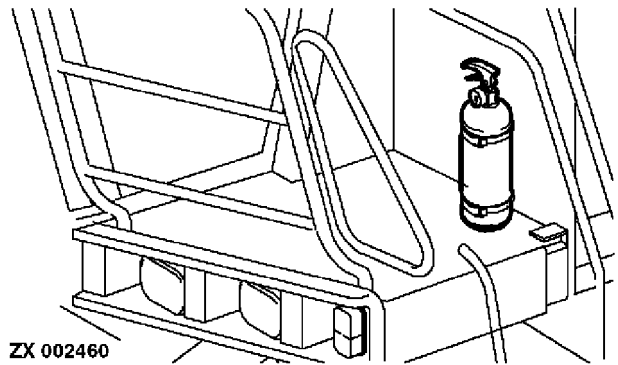


## FIRE EXTINGUISHER

A 6 kg (13 lb) general purpose fire extinguisher meeting local legal requirements has to be installed on the left-hand side of the operator's platform.

Maintain fire extinguisher to keep it in operational condition.

Keep the engine clean and free of dust, chaff and straw to prevent the possibility of a fire.



ZX 002460

ZX,FIREXZCO -19-27MAY94

-UN-16JUN95  
ZX002460

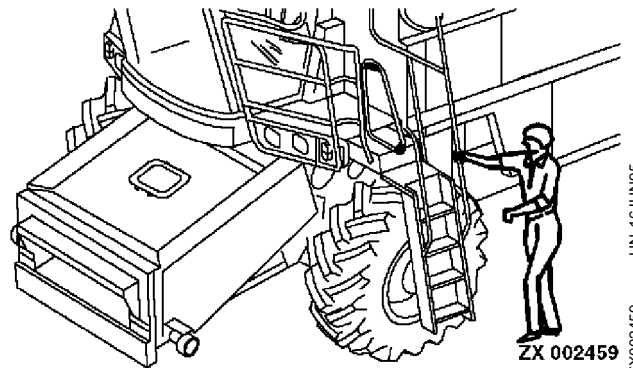
## CHECK MACHINE SAFETY

Always check the road and general operating safety of the machine before using.

FX,READY -19-28FEB91

## MOUNT AND DISMOUNT SAFELY

Use handrail when mounting or dismounting the combine.



ZX 002459

ZX,HANDLEXZCO -19-27JAN92

-UN-16JUN95  
ZX002459

## RIDERS

Only allow the operator and one rider on the machine.

Other riders are subject to injury such as being thrown off the machine and obstruct the operator's view resulting in the machine being operated in an unsafe manner.

One rider is permitted, since the machine is equipped with a factory-approved passenger seat.



ZX,PASSENGER -19-02OCT91

-UN-23AUG88  
TS253

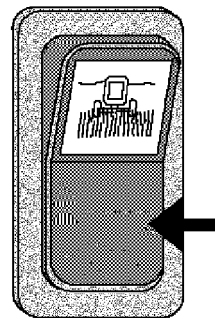


## ROAD SAFETY SWITCH

**IMPORTANT:** Before driving combine on public roads, make sure that road safety switch is in road position. Also move harvesting unit and unloading auger to transport position.

This ensures that all hydraulic functions — with exception of the steering system — are not working.

ZX 002418



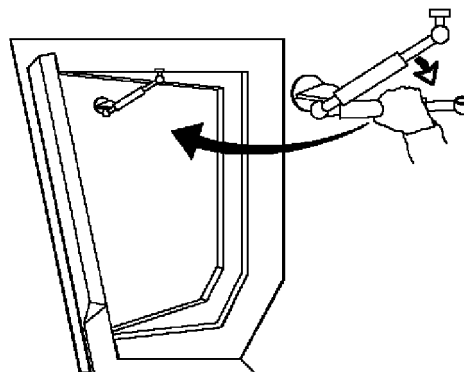
ZX,SWITCHXZCO -19-01MAR95

ZX002418 -UN-16JUN95

## EMERGENCY EXIT

The right-hand cab window may be used as an emergency exit. Disengage the gas-filled spring on the sidewall of the cab and open the window.

ZX 006004



ZX,OMSPFH003293-19-01MAY94

ZX006004 -UN-03APR95



## DRIVING THE COMBINE

Operate machine only when all guards are correctly installed.

Before moving away, always check immediate vicinity of machine (e.g. for children). Ensure adequate visibility. Use the horn as a warning immediately before moving away.

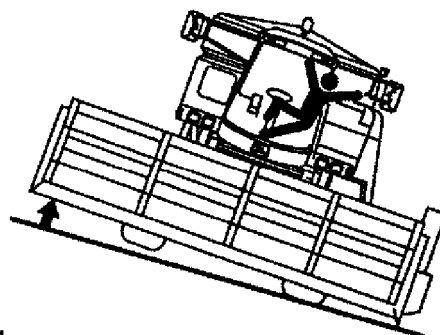
Always adapt ground speed to road or field conditions. Avoid making sharp turns when driving up or down slopes or when driving across a slope. Be especially careful when turning on slopes with full grain tank.

Attach harvesting units and other implements to combine with extreme care.

When making turns, always take into consideration the width of the attachment and the fact that the rear end of the combine swings out. Attachments and ground conditions affect the driving characteristics of the combine.

Reduce ground speed when driving on slopes or over uneven ground and before making sharp turns. Before descending a steep hill, shift to a lower gear.

Avoid holes, ditches and obstructions which may cause the combine to tip, particularly on hillsides.



ZX002461

ZX002461 -JUN-16-JUN95

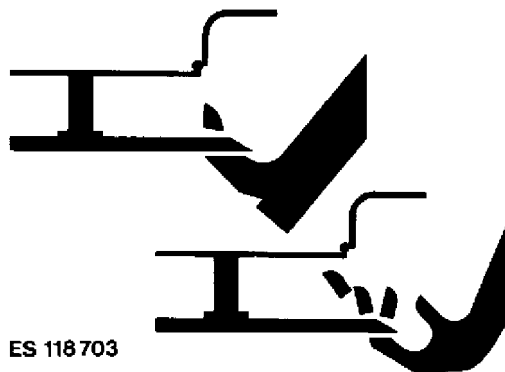
ZX,DRIVEXZCO -19-27JAN92

## GUARDS AND SHIELDS

Keep guards and shields in place at all times. Ensure that they are serviceable and installed correctly.

Always disengage main clutch, shut off engine and remove key before removing any guards or shields.

Keep hands, feet and clothing away from moving parts.



ES 118 703

ES118703 -JUN-21-MAR95

FX,DEVICE -19-04DEC90



### STAY CLEAR OF HARVESTING UNITS

Cutterbar, auger, reel and feed rolls cannot be completely shielded due to their function. Stay clear of these moving elements during operation. Always disengage main clutch, shut off engine and remove key before servicing or unclogging machine.



FX,CUT -19-21DEC90

ES118704 -UN-21MAR95

### STAY CLEAR OF ROTATING DRIVELINES

Entanglement in rotating driveline can cause serious injury or death.

Keep tractor master shield and driveline shields in place at all times. Make sure rotating shields turn freely.

Wear close fitting clothing. Stop the engine and be sure PTO driveline is stopped before making adjustments, connections, or cleaning out PTO driven equipment.

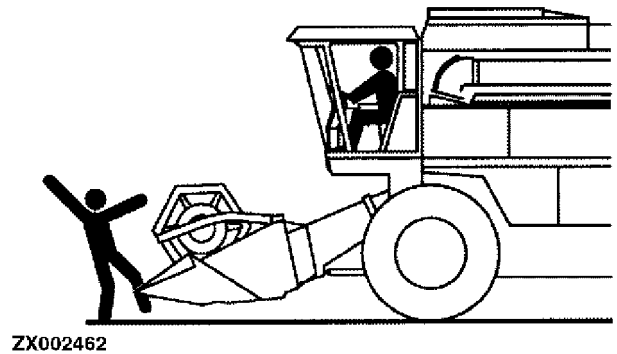


DX,PTO -19-12SEP95

TS1844 -UN-22AUG95

### TRANSPORT WITH HARVESTING UNIT INSTALLED

Before driving combine on public roads, harvesting unit must be raised and secured in this position. It must not, however, obstruct operator's view of the road. Remove crop dividers (if equipped) and install protective cover.

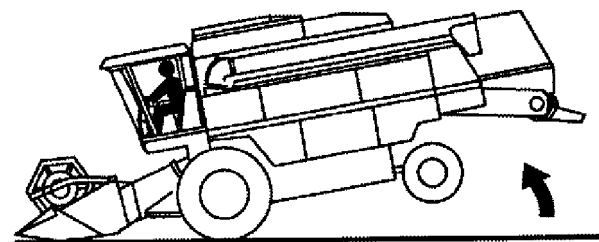


ZX,HEADERXZCO -19-27JAN92

ZX002462 -UN-16JUN95

### BALLASTING FOR SAFE GROUND CONTACT

Operating, steering and braking performance of the combine can be considerably affected by attachments which alter the center of gravity of the machine. To maintain safe ground contact, ballast the combine at the rear end as necessary. Observe the maximum permissible axle loads and total weights.



ZX,WEIGHTXZCO -19-27JAN92

ZX002463 -UN-16JUN95



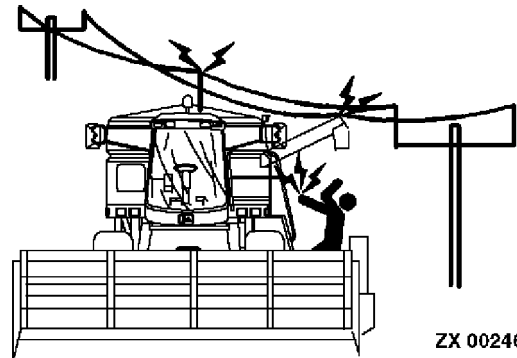


## RADIO AERIAL

If radio aerial is not secured in its transport position before driving on public roads, it may come into contact with low-hanging electrical cables. This would result in the operator suffering a severe electrical shock.

To avoid electrical shock, no portion of the machine should be higher than 4 m.

Before transporting machine, bend aerial or remove it.



ZX002464 -UN-16JUN95

ZX,ANTENNAZCO -19-27JAN92

## PARKING AND LEAVING THE COMBINE

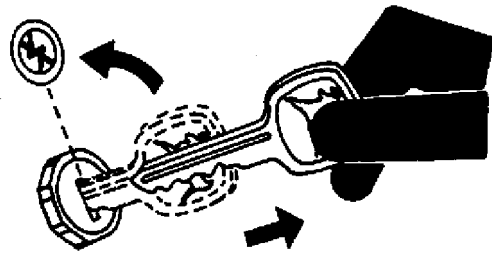
Lower harvesting unit to the ground.

Before leaving the combine, disengage harvesting unit and separator. Shut off engine and move gear shift lever to neutral. Apply parking brake, remove key and lock the operator's cab. Position chock blocks.

*NOTE: Use only chock blocks provided with the machine.*

Never leave combine unattended as long as engine is running.

Never leave the operator's cab when driving.



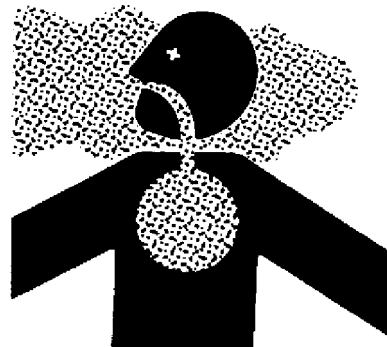
TS230 -UN-24MAY89

ZX,PARKXZCO -19-13APR92

## WORK IN VENTILATED AREA

Engine exhaust fumes can cause sickness or death. If it is necessary to run an engine in an enclosed area, remove the exhaust fumes from the area with an exhaust pipe extension.

If you do not have an exhaust pipe extension, open the doors and get outside air into the area.



DX,AIR -UN-23AUG88

TS220 -19-04JUN90



## PRACTICE SAFE MAINTENANCE

Understand service procedure before doing work. Keep area clean and dry.

Never lubricate, service, or adjust machine while it is moving. Keep hands, feet, and clothing from power-driven parts. Disengage all power and operate controls to relieve pressure. Lower equipment to the ground. Stop the engine. Remove the key. Allow machine to cool.

Securely support any machine elements that must be raised for service work.

Keep all parts in good condition and properly installed. Fix damage immediately. Replace worn or broken parts. Remove any buildup of grease, oil, or debris.

Disconnect battery ground cable (-) before making adjustments on electrical systems or welding on machine.



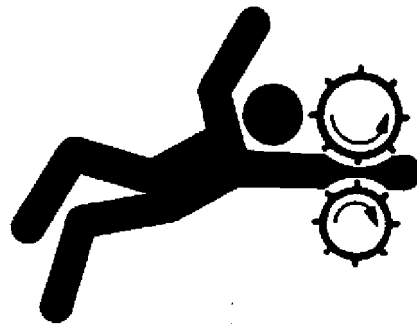
DX,SERV -19-03MAR93

TS218 -UN-23AUG88

## SERVICE MACHINES SAFELY

Tie long hair behind your head. Do not wear a necktie, scarf, loose clothing, or necklace when you work near machine tools or moving parts. If these items were to get caught, severe injury could result.

Remove rings and other jewelry to prevent electrical shorts and entanglement in moving parts.



DX,LOOSE -19-04JUN90

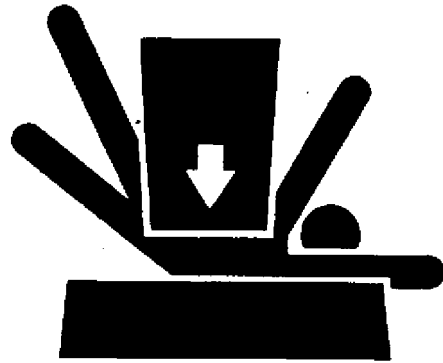
TS228 -UN-23AUG88



## SUPPORT MACHINE PROPERLY

Always lower the attachment or implement to the ground before you work on the machine. If you must work on a lifted machine or attachment, securely support the machine or attachment.

Do not support the machine on cinder blocks, hollow tiles, or props that may crumble under continuous load. Do not work under a machine that is supported solely by a jack. Follow recommended procedures in this manual.

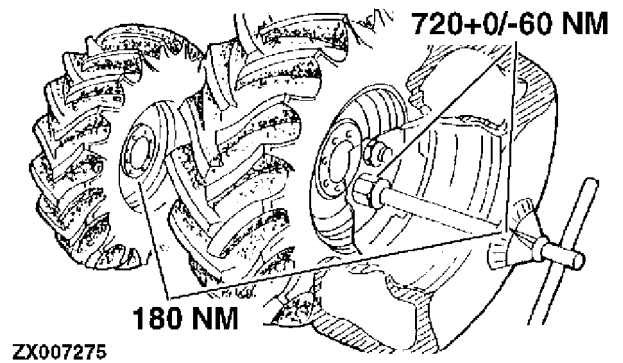


DX,LOWER -19-04JUN90

-UN-23AUG68  
TS229

## RETORQUE WHEEL NUTS

Retorque wheel nuts as specified in Sections "Wheels and Ballast" and "Lubrication, Periodic Services". Failure to do this could result in a wheel falling off during operation, causing the machine to tip over with serious injury to the operator and extensive damage to the machine.



ZX,NUTS -19-01MAR95

-UN-19JUN95  
ZX007275



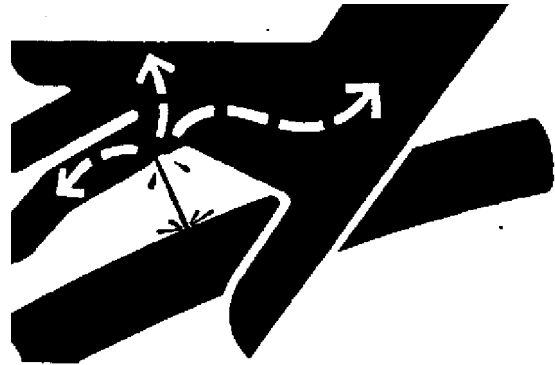
## AVOID HIGH-PRESSURE FLUIDS

Escaping fluid under pressure can penetrate the skin causing serious injury.

Avoid the hazard by relieving pressure before disconnecting hydraulic or other lines. Tighten all connections before applying pressure.

Search for leaks with a piece of cardboard. Protect hands and body from high pressure fluids.

If an accident occurs, see a doctor immediately. Any fluid injected into the skin must be surgically removed within a few hours or gangrene may result. Doctors unfamiliar with this type of injury should reference a knowledgeable medical source. Such information is available from Deere & Company Medical Department in Moline, Illinois, U.S.A.



X9811 -UN-23AUG88

DX,FLUID -19-03MAR93

## PREVENT BATTERY EXPLOSIONS

Keep sparks, lighted matches, and open flame away from the top of battery. Battery gas can explode.

Never check battery charge by placing a metal object across the posts. Use a volt-meter or hydrometer.

Do not charge a frozen battery; it may explode. Warm battery to 16°C (60°F).



TS204 -UN-23AUG88

DX,SPARKS -19-03MAR93



## PREVENT ACID BURNS

Sulfuric acid in battery electrolyte is poisonous. It is strong enough to burn skin, eat holes in clothing, and cause blindness if splashed into eyes.

Avoid the hazard by:

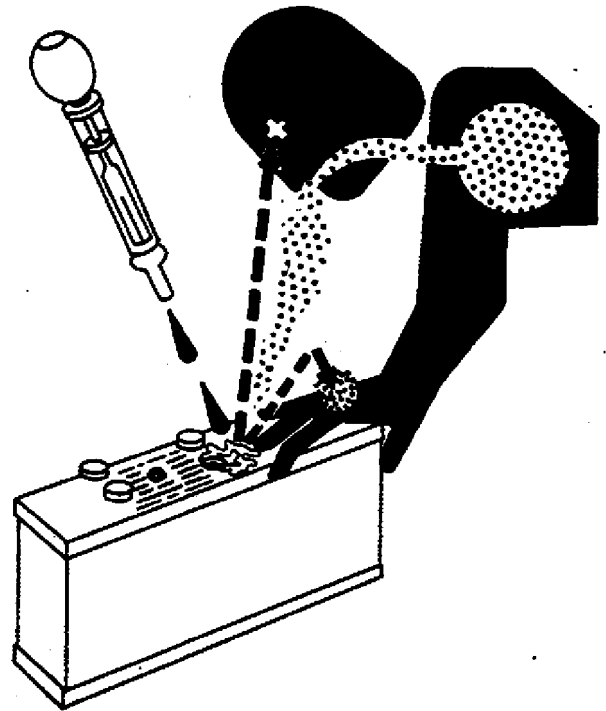
1. Filling batteries in a well-ventilated area.
2. Wearing eye protection and rubber gloves.
3. Avoiding breathing fumes when electrolyte is added.
4. Avoiding spilling or dripping electrolyte.
5. Use proper jump start procedure.

If you spill acid on yourself:

1. Flush your skin with water.
2. Apply baking soda or lime to help neutralize the acid.
3. Flush your eyes with water for 15—30 minutes. Get medical attention immediately.

If acid is swallowed:

1. Do not induce vomiting.
2. Drink large amounts of water or milk, but do not exceed 2 L (2 quarts).
3. Get medical attention immediately.



DX\_POISON -19-21APR93

TS203 -UN-23AUG88



## SERVICE TIRES SAFELY

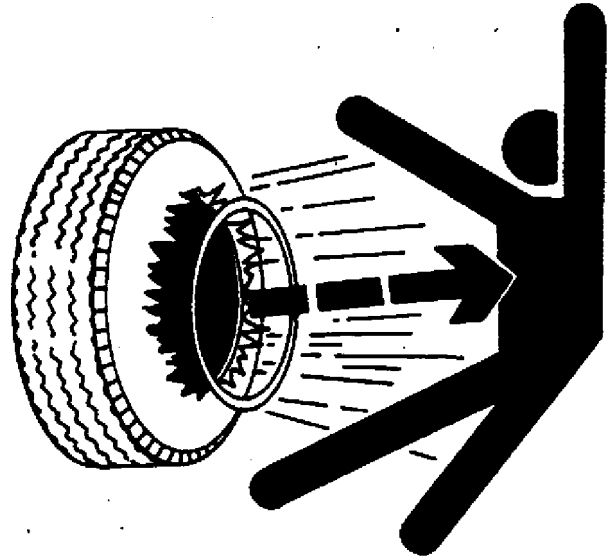
Explosive separation of a tire and rim parts can cause serious injury or death.

Do not attempt to mount a tire unless you have the proper equipment and experience to perform the job.

Always maintain the correct tire pressure. Do not inflate the tires above the recommended pressure. Never weld or heat a wheel and tire assembly. The heat can cause an increase in air pressure resulting in a tire explosion. Welding can structurally weaken or deform the wheel.

When inflating tires, use a clip-on chuck and extension hose long enough to allow you to stand to one side and NOT in front of or over the tire assembly. Use a safety cage if available.

Check wheels for low pressure, cuts, bubbles, damaged rims or missing lug bolts and nuts.



DX,RIM -19-24AUG90

-UN-23AUG88

TS211

## SERVICE COOLING SYSTEM SAFELY

Explosive release of fluids from pressurized cooling system can cause serious burns.

Shut off engine. Only remove filler cap when cool enough to touch with bare hands. Slowly loosen cap to first stop to relieve pressure before removing completely.



DX,RCAP -19-04JUN90

-UN-23AUG88

TS281



## DISPOSE OF WASTE PROPERLY

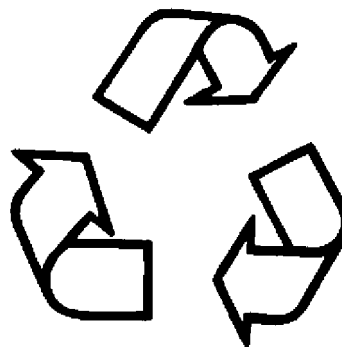
Improperly disposing of waste can threaten the environment and ecology. Potentially harmful waste used with John Deere equipment include such items as oil, fuel, coolant, brake fluid, filters, and batteries.

Use leakproof containers when draining fluids. Do not use food or beverage containers that may mislead someone into drinking from them.

Do not pour waste onto the ground, down a drain, or into any water source.

Air conditioning refrigerants escaping into the air can damage the Earth's atmosphere. Government regulations may require a certified air conditioning service center to recover and recycle used air conditioning refrigerants.

Inquire on the proper way to recycle or dispose of waste from your local environmental or recycling center, or from your John Deere dealer.



TS1133 -UN-26NOV90

DX,DRAIN -19-03MAR93

# Safety Decals

## PICTORIAL SAFETY SIGNS

At several important places of this machine safety signs are affixed intended to signify potential danger. The hazard is identified by a pictorial in a warning triangle. An adjacent pictorial provides information how to avoid personal injury. These safety signs, their placement on the machine and a brief explanatory text are shown below.

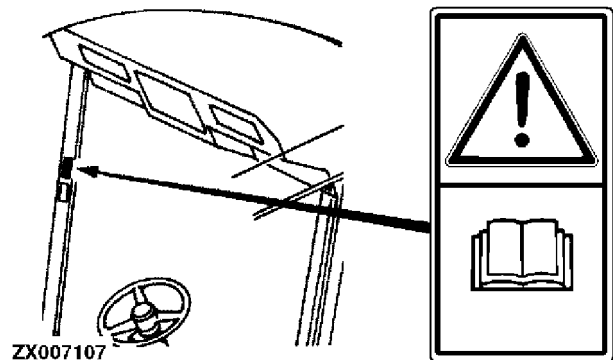


FX,WBZ -19-19NOV91

TS231 -19-07OCT88

## OPERATOR'S MANUAL

This operator's manual contains all important information necessary for safe machine operation. Carefully observe all safety rules to avoid accidents.



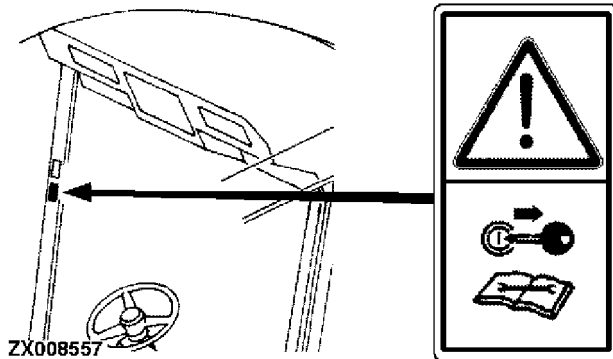
ZX007107

ZX,OM -19-01MAR95

ZX007107 -UN-19JUN95

## REPAIR AND MAINTENANCE

Before carrying out repair and maintenance work, shut off engine and remove key.



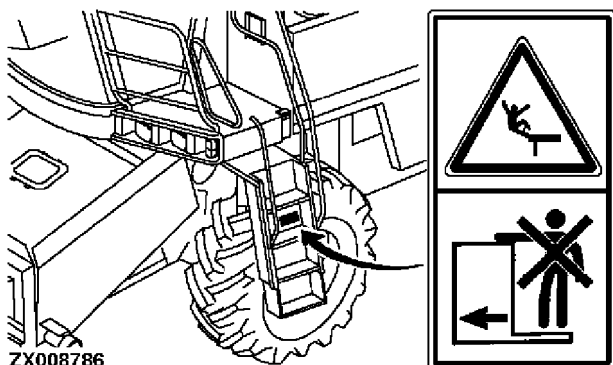
ZX008557

ZX,MAINTENANCE -19-01JAN96

ZX008557 -UN-31JAN96

## FRONT ACCESS LADDER AND PLATFORM

Do not allow riders on access ladder or platform.



ZX008786

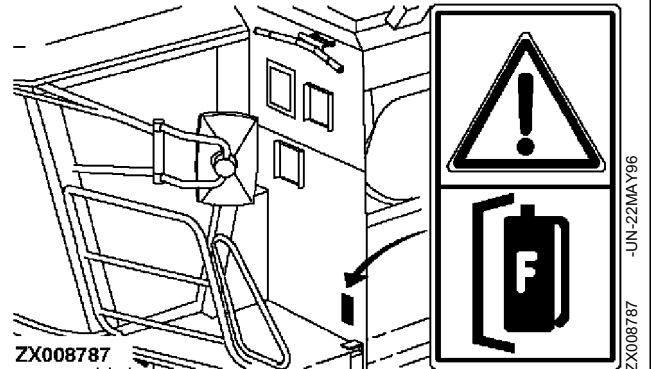
ZX,RIDER1 -19-02MAY96

ZX008786 -UN-22MAY96



### FIRE EXTINGUISHER

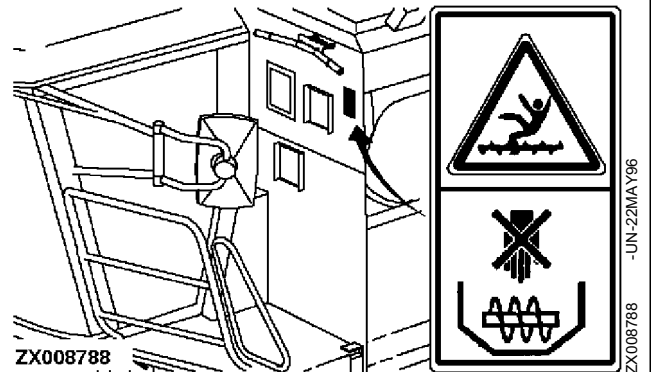
The machine must not be operated unless a fully-operational fire extinguisher is installed at this point.



ZX.OMXZCO006500-19-02MAY96

### GRAIN TANK

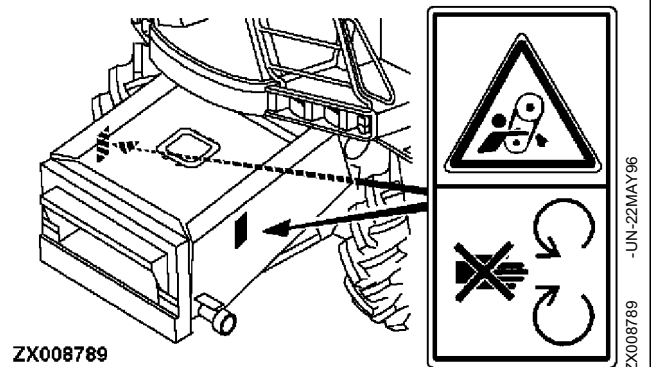
Never reach into grain tank or enter tank when the engine is running.



ZX.GRAINTANK -19-02MAY96

### FEEDER HOUSE DRIVE, RIGHT AND LEFT-HAND SIDE

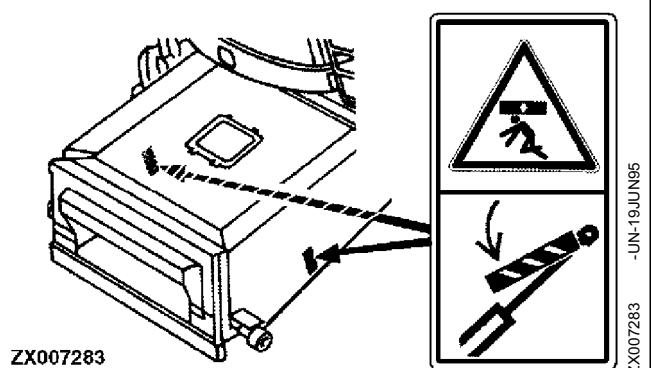
Do not open or remove guard when the engine is running.



ZX.FEEDER1 -19-02MAY96

### BELOW FEEDER HOUSE

Before entering area of potential hazard, engage safety lock.



ZX.FEEDER2 -19-01MAR95

Thank you so much for reading.  
Please click the “Buy Now!”  
button below to download the  
complete manual.



After you pay.

You can download the most  
perfect and complete manual in  
the world immediately.

Our support email:

[ebooklibonline@outlook.com](mailto:ebooklibonline@outlook.com)